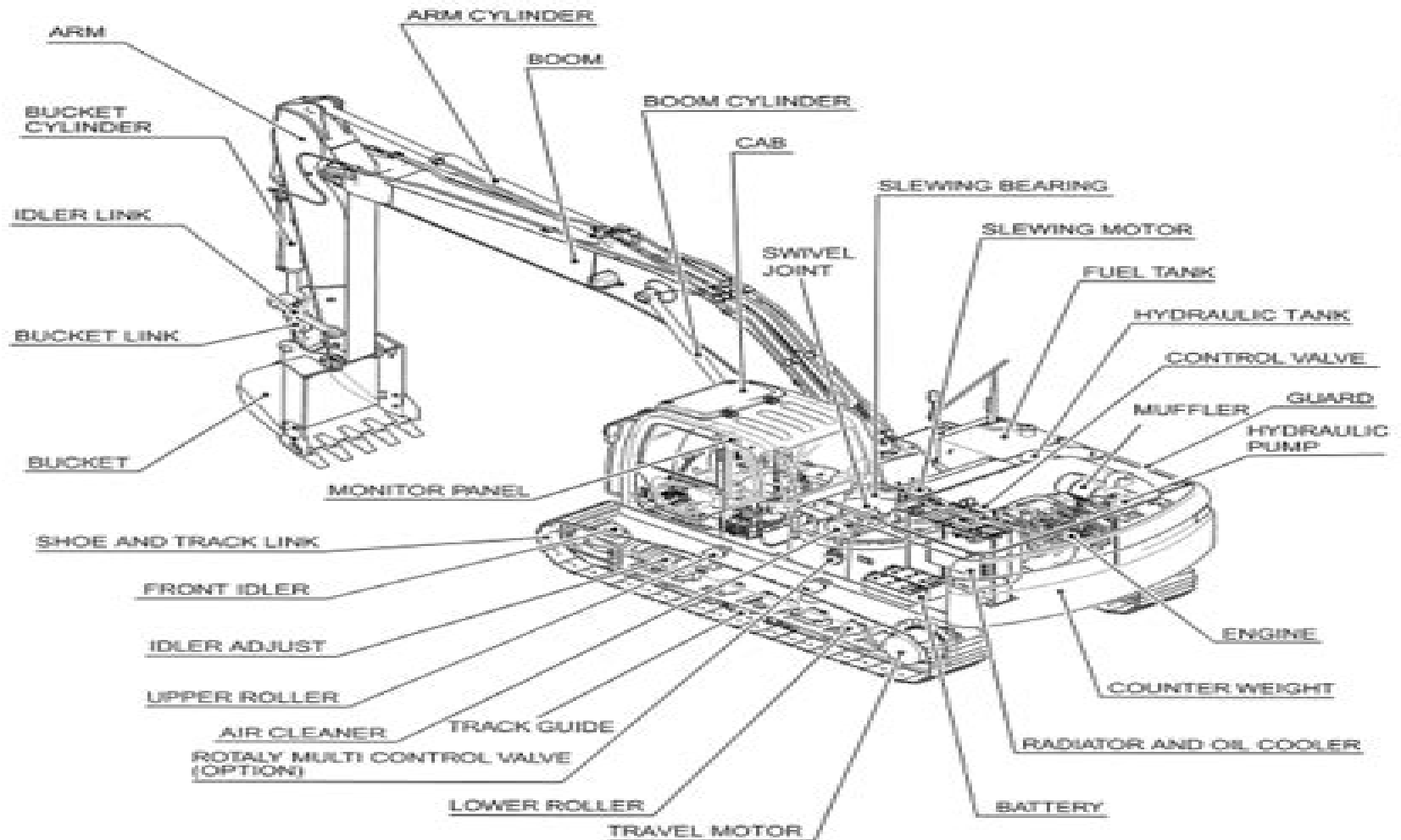


## 2.1 NAME OF COMPONENTS



# Kobelco 210 Service Manual

**Caterpillar Tractor Company (U.S.A)**

A red circular graphic with a gradient, appearing as a semi-circle on the right side of the page, partially overlapping the grey bar.

**Kobelco 210 Service Manual:**

**Welding Design & Fabrication** ,1984      **Understory Biomass Reduction Methods and Equipment Catalog** Keith Windell,2000      **California Builder & Engineer** ,2003      **Thomas Register** ,2004      *Popular Photography* ,1985-06  
Thomas Register of American Manufacturers ,2003 Vols for 1970 71 includes manufacturers catalogs      **Process and Chemical Engineering** ,1991      Directory of Japanese Affiliated Companies JETRO,Jetro Publications,Thomson Gale,2002-02 This directory offers you all the necessary information on nearly 5 200 Japanese affiliated companies A CD ROM of the Directory is also included      **Service Manual** Caterpillar Inc,1985      **LS-2800 Excavator Service Manual** ,200?      *Service Manual* Caterpillar Inc.Peoria, Ill.,1995      **Service Manual** Caterpillar Inc.Peoria, Ill.,1995      Service Manual Caterpillar Tractor Company (U.S.A),1983      **Service Manual** ,1972      Operation & Maintenance Manual Caterpillar Inc.Peoria, Ill.,1994      *Operation & Maintenance Manual* Caterpillar Inc. Peoria, Ill.,1994      *Delco Service Manual* American Bureau of Engineering,1920      **Technical Service Manual** ,      **Engine D 100, TD 100** ,1974  
Service Manual ,1968

## Unveiling the Energy of Verbal Beauty: An Mental Sojourn through **Kobelco 210 Service Manual**

In a world inundated with screens and the cacophony of fast conversation, the profound energy and emotional resonance of verbal beauty often disappear in to obscurity, eclipsed by the regular onslaught of noise and distractions. Yet, set within the musical pages of **Kobelco 210 Service Manual**, a interesting work of fictional beauty that impulses with natural feelings, lies an unique journey waiting to be embarked upon. Published with a virtuoso wordsmith, that interesting opus books viewers on an emotional odyssey, gently revealing the latent possible and profound impact embedded within the complex internet of language. Within the heart-wrenching expanse of the evocative examination, we shall embark upon an introspective exploration of the book is main subjects, dissect its charming writing type, and immerse ourselves in the indelible impression it leaves upon the depths of readers souls.

<http://www.armchairempire.com/public/scholarship/index.jsp/i%20belong%20to%20the%20left%201945%20complete%20orwell.pdf>

### **Table of Contents Kobelco 210 Service Manual**

1. Understanding the eBook Kobelco 210 Service Manual
  - The Rise of Digital Reading Kobelco 210 Service Manual
  - Advantages of eBooks Over Traditional Books
2. Identifying Kobelco 210 Service Manual
  - Exploring Different Genres
  - Considering Fiction vs. Non-Fiction
  - Determining Your Reading Goals
3. Choosing the Right eBook Platform
  - Popular eBook Platforms
  - Features to Look for in an Kobelco 210 Service Manual
  - User-Friendly Interface
4. Exploring eBook Recommendations from Kobelco 210 Service Manual

- Personalized Recommendations
  - Kobelco 210 Service Manual User Reviews and Ratings
  - Kobelco 210 Service Manual and Bestseller Lists
5. Accessing Kobelco 210 Service Manual Free and Paid eBooks
    - Kobelco 210 Service Manual Public Domain eBooks
    - Kobelco 210 Service Manual eBook Subscription Services
    - Kobelco 210 Service Manual Budget-Friendly Options
  6. Navigating Kobelco 210 Service Manual eBook Formats
    - ePub, PDF, MOBI, and More
    - Kobelco 210 Service Manual Compatibility with Devices
    - Kobelco 210 Service Manual Enhanced eBook Features
  7. Enhancing Your Reading Experience
    - Adjustable Fonts and Text Sizes of Kobelco 210 Service Manual
    - Highlighting and Note-Taking Kobelco 210 Service Manual
    - Interactive Elements Kobelco 210 Service Manual
  8. Staying Engaged with Kobelco 210 Service Manual
    - Joining Online Reading Communities
    - Participating in Virtual Book Clubs
    - Following Authors and Publishers Kobelco 210 Service Manual
  9. Balancing eBooks and Physical Books Kobelco 210 Service Manual
    - Benefits of a Digital Library
    - Creating a Diverse Reading Collection Kobelco 210 Service Manual
  10. Overcoming Reading Challenges
    - Dealing with Digital Eye Strain
    - Minimizing Distractions
    - Managing Screen Time
  11. Cultivating a Reading Routine Kobelco 210 Service Manual
    - Setting Reading Goals Kobelco 210 Service Manual
    - Carving Out Dedicated Reading Time
  12. Sourcing Reliable Information of Kobelco 210 Service Manual

- Fact-Checking eBook Content of Kobelco 210 Service Manual
  - Distinguishing Credible Sources
13. Promoting Lifelong Learning
- Utilizing eBooks for Skill Development
  - Exploring Educational eBooks
14. Embracing eBook Trends
- Integration of Multimedia Elements
  - Interactive and Gamified eBooks

### **Kobelco 210 Service Manual Introduction**

In the digital age, access to information has become easier than ever before. The ability to download Kobelco 210 Service Manual has revolutionized the way we consume written content. Whether you are a student looking for course material, an avid reader searching for your next favorite book, or a professional seeking research papers, the option to download Kobelco 210 Service Manual has opened up a world of possibilities. Downloading Kobelco 210 Service Manual provides numerous advantages over physical copies of books and documents. Firstly, it is incredibly convenient. Gone are the days of carrying around heavy textbooks or bulky folders filled with papers. With the click of a button, you can gain immediate access to valuable resources on any device. This convenience allows for efficient studying, researching, and reading on the go. Moreover, the cost-effective nature of downloading Kobelco 210 Service Manual has democratized knowledge. Traditional books and academic journals can be expensive, making it difficult for individuals with limited financial resources to access information. By offering free PDF downloads, publishers and authors are enabling a wider audience to benefit from their work. This inclusivity promotes equal opportunities for learning and personal growth. There are numerous websites and platforms where individuals can download Kobelco 210 Service Manual. These websites range from academic databases offering research papers and journals to online libraries with an expansive collection of books from various genres. Many authors and publishers also upload their work to specific websites, granting readers access to their content without any charge. These platforms not only provide access to existing literature but also serve as an excellent platform for undiscovered authors to share their work with the world. However, it is essential to be cautious while downloading Kobelco 210 Service Manual. Some websites may offer pirated or illegally obtained copies of copyrighted material. Engaging in such activities not only violates copyright laws but also undermines the efforts of authors, publishers, and researchers. To ensure ethical downloading, it is advisable to utilize reputable websites that prioritize the legal distribution of content. When downloading Kobelco 210 Service Manual, users should also consider the potential security risks associated with online

platforms. Malicious actors may exploit vulnerabilities in unprotected websites to distribute malware or steal personal information. To protect themselves, individuals should ensure their devices have reliable antivirus software installed and validate the legitimacy of the websites they are downloading from. In conclusion, the ability to download Kobelco 210 Service Manual has transformed the way we access information. With the convenience, cost-effectiveness, and accessibility it offers, free PDF downloads have become a popular choice for students, researchers, and book lovers worldwide. However, it is crucial to engage in ethical downloading practices and prioritize personal security when utilizing online platforms. By doing so, individuals can make the most of the vast array of free PDF resources available and embark on a journey of continuous learning and intellectual growth.

### **FAQs About Kobelco 210 Service Manual Books**

How do I know which eBook platform is the best for me? Finding the best eBook platform depends on your reading preferences and device compatibility. Research different platforms, read user reviews, and explore their features before making a choice. Are free eBooks of good quality? Yes, many reputable platforms offer high-quality free eBooks, including classics and public domain works. However, make sure to verify the source to ensure the eBook credibility. Can I read eBooks without an eReader? Absolutely! Most eBook platforms offer webbased readers or mobile apps that allow you to read eBooks on your computer, tablet, or smartphone. How do I avoid digital eye strain while reading eBooks? To prevent digital eye strain, take regular breaks, adjust the font size and background color, and ensure proper lighting while reading eBooks. What the advantage of interactive eBooks? Interactive eBooks incorporate multimedia elements, quizzes, and activities, enhancing the reader engagement and providing a more immersive learning experience. Kobelco 210 Service Manual is one of the best book in our library for free trial. We provide copy of Kobelco 210 Service Manual in digital format, so the resources that you find are reliable. There are also many Ebooks of related with Kobelco 210 Service Manual. Where to download Kobelco 210 Service Manual online for free? Are you looking for Kobelco 210 Service Manual PDF? This is definitely going to save you time and cash in something you should think about. If you trying to find then search around for online. Without a doubt there are numerous these available and many of them have the freedom. However without doubt you receive whatever you purchase. An alternate way to get ideas is always to check another Kobelco 210 Service Manual. This method for see exactly what may be included and adopt these ideas to your book. This site will almost certainly help you save time and effort, money and stress. If you are looking for free books then you really should consider finding to assist you try this. Several of Kobelco 210 Service Manual are for sale to free while some are payable. If you arent sure if the books you would like to download works with for usage along with your computer, it is possible to download free trials. The free guides

make it easy for someone to free access online library for download books to your device. You can get free download on free trial for lots of books categories. Our library is the biggest of these that have literally hundreds of thousands of different products categories represented. You will also see that there are specific sites catered to different product types or categories, brands or niches related with Kobelco 210 Service Manual. So depending on what exactly you are searching, you will be able to choose e books to suit your own need. Need to access completely for Campbell Biology Seventh Edition book? Access Ebook without any digging. And by having access to our ebook online or by storing it on your computer, you have convenient answers with Kobelco 210 Service Manual To get started finding Kobelco 210 Service Manual, you are right to find our website which has a comprehensive collection of books online. Our library is the biggest of these that have literally hundreds of thousands of different products represented. You will also see that there are specific sites catered to different categories or niches related with Kobelco 210 Service Manual So depending on what exactly you are searching, you will be able to choose ebook to suit your own need. Thank you for reading Kobelco 210 Service Manual. Maybe you have knowledge that, people have search numerous times for their favorite readings like this Kobelco 210 Service Manual, but end up in harmful downloads. Rather than reading a good book with a cup of coffee in the afternoon, instead they juggled with some harmful bugs inside their laptop. Kobelco 210 Service Manual is available in our book collection an online access to it is set as public so you can download it instantly. Our digital library spans in multiple locations, allowing you to get the most less latency time to download any of our books like this one. Merely said, Kobelco 210 Service Manual is universally compatible with any devices to read.

### **Find Kobelco 210 Service Manual :**

~~i belong to the left 1945 complete orwell~~

~~i never saw another butterfly~~

~~i drive safely chapter 1 answers~~

**i say unto you jesus son of god or mystic osho classics**

**i carry your heart with me**

~~ibm system x3650 m4 manual~~

~~iata reference manual for level of service~~

~~ian rowland full facts book of cold reading~~

**ib question acids and bases**

**icao doc 9760 manual vol 2**

**ibs cookbook for dummies**



*iamsar full manual*

i regni di nashira 4 il destino di cetus

**i will die the way ive lived**

i luca caragiale momente si schite rezumat

**Kobelco 210 Service Manual :**

dragon magazine 31 a n n a r c h i v e - Jul 06 2022

web vol iv no 5 the premier magazine of games and gaming the dragon has been undergoing aslight undoubtedly we have published arti gradual facelift in recent

**dragon magazine 33 annarchive com** - Sep 20 2023

web predict big happenings for the dragon and you our readers in the year to come in the past year the dragon has doubled in size and after you read dragon rumbles on the

**dragon magazine no 33 du 01 12 1996 heroic fantasy science** - Feb 01 2022

web dragon magazine no 33 du 01 12 1996 heroic fantasy science fiction fantastique encyclopedie des mondes imaginaires la couronne de fer anneaux de pouvoir terre

**dragon magazine no 33 du 01 12 1996 heroic fantasy science** - Apr 03 2022

web sep 11 2023 dragon magazine no 33 du 01 12 1996 heroic fantasy science fiction fantastique encyclopedie des mondes imaginaires la couronne de fer anneaux de

**a n n a r c h i v e** - Mar 14 2023

web dragon magazine 88 a n n a r c h i v e is a pdf file that contains the scanned pages of the original magazine published in 1984 it features articles reviews comics and

download solutions dragon magazine no 33 du 01 12 1996 - Oct 09 2022

web dragon magazine no 33 du 01 12 1996 heroic fantas free web free download dragon magazine no 33 du 01 12 1996 heroic fantas pdf or read dragon magazine no 33 du

**download solutions dragon magazine no 33 du 01 12 1996** - Apr 15 2023

web dragon magazine no 33 du 01 12 1996 heroic fantas transactions of the cambridge philosophical society mar 29 2023 an illustrated encyclopaedic medical dictionary

dragon magazine no 33 du 01 12 1996 heroic fantas pdf - Jun 17 2023

web book dragon magazine no 33 du 01 12 1996 heroic fantas only if you are registered here download and read online dragon magazine no 33 du 01 12 1996 heroic fantas

*dragon magazine no 33 du 01 12 1996 heroic fantas pdf* - Aug 07 2022

web jan 12 1996 to download and install dragon magazine no 33 du 01 12 1996 heroic fantas pdf so simple cyberbullies cyberactivists cyberpredators film tv and

*dragon magazine no 33 du 01 12 1996 heroic fantas pdf* - Sep 08 2022

web jan 12 1996 present dragon magazine no 33 du 01 12 1996 heroic fantas pdf and numerous book collections from fictions to scientific research in any way among them is

**dragon magazine no 33 du 01 12 1996 heroic fantas avram** - May 16 2023

web jan 12 1996 you may not be perplexed to enjoy all book collections dragon magazine no 33 du 01 12 1996 heroic fantas that we will very offer it is not roughly speaking the

**dragon magazine no 33 du 01 12 1996 heroic fantas free pdf** - Mar 02 2022

web ebooks dragon magazine no 33 du 01 12 1996 heroic fantas pdf book is the book you are looking for by download pdf be gotten by just checking out a books 1996

*dragon magazine no 33 du 01 12 1996 heroic fantasy science* - Dec 31 2021

web dragon magazine no 33 du 01 12 1996 heroic fantasy science fiction fantastique encyclopedie des mondes imaginaires la couronne de fer anneaux de pouvoir terre

*dragon magazine no 33 du 01 12 1996 heroic fantasy science* - Oct 29 2021

web dragon magazine no 33 du 01 12 1996 heroic fantasy science fiction fantastique encyclopedie des mondes imaginaires la couronne de fer anneaux de pouvoir terre

*a n n a r c h i v e* - Jan 12 2023

web do you want to know how computers can enhance your fantasy gaming experience in this issue of dragon magazine you will find an article on the role of computers in the

*dragon magazine no 33 du 01 12 1996 heroic fantas pdf full* - Jun 05 2022

web 33 du 01 12 1996 heroic fantas pdf revealing the captivating potential of verbal expression in a period characterized by interconnectedness and an insatiable thirst for

*pdf dragon magazine no 33 du 01 12 1996 heroic fantas pdf* - May 04 2022

web could enjoy now is dragon magazine no 33 du 01 12 1996 heroic fantas pdf below dragon magazine no 33 du 01 12 1996 heroic fantasy web dragon magazine no 33

*dragon magazine no 33 du 01 12 1996 heroic fantasy science* - Aug 19 2023

web dragon magazine no 33 du 01 12 1996 heroic fantasy science fiction fantastique encyclopedie des mondes imaginaires la couronne de fer anneaux de pouvoir terre

**dragon magazine no 33 du 01 12 1996 heroic fantas pdf** - Jul 18 2023

web feb 28 2023 right here we have countless books dragon magazine no 33 du 01 12 1996 heroic fantas and collections to check out we additionally meet the expense of

[dragon magazine wikipedia](#) - Dec 11 2022

web september 2021 dragon is one of the two official magazines for source material for the dungeons dragons role playing game and associated products along with dungeon

*dragon magazine 123 a n n a r c h i v e* - Feb 13 2023

web dragon magazine 123 a n n a r c h i v e if you are a fan of fantasy role playing games you will love this issue of dragon magazine the monthly publication for gamers in this

**dragon magazine no 33 du 01 12 1996 heroic fantasy science** - Nov 29 2021

web sep 13 2023 dragon magazine no 33 du 01 12 1996 heroic fantasy science fiction fantastique encyclopedie des mondes imaginaires la couronne de fer anneaux de

*downloadable free pdfs dragon magazine no 33 du 01 12* - Nov 10 2022

web for their favorite books like this dragon magazine no 33 du 01 12 1996 heroic fantas pdf but end up in infectious downloads rather than reading a good book with a cup of coffee

*rab dan volume xls rencana anggaran biaya bangunan konstruksi baja* - Jul 14 2023

web rab dan volume xls rencana anggaran biaya bangunan konstruksi baja lemonga gold processing plant tahun 2014 no uraian pekerjaan a 1 2 3 4 pekerjaan course hero

*cara menyusun harga satuan pekerjaan konstruksi baja* - Nov 06 2022

web berikut ini contoh membuat analisa harga satuan pekerjaan konstruksi baja berdasarkan standarisasi harga satuan bahan bangunan upah dan analisa pekerjaan untuk kegiatan pembangunan yang dikeluarkan oleh pemerintah kota semarang tahun 2018 1 contoh analisa harga satuan per 1 kg pekerjaan baja plat

[rab pekerjaan konstruksi baja excel download homecare24](#) - Jun 13 2023

web 17 hours ago mudah dan cepat download rab pekerjaan konstruksi baja dengan excel daftar isi apa itu rab pekerjaan konstruksi baja keuntungan rab pekerjaan konstruksi baja kekurangan rab pekerjaan konstruksi baja tipe konstruksi baja lokasi proyek konstruksi baja harga konstruksi baja cara menggunakan excel

**cara menghitung rab konstruksi baja wf dengan mudah kps** - Dec 07 2022

web jun 21 2023 upah bagi kuda kuda cremona dalam cara menghitung rab konstruksi baja wf penting pula untuk memperhitungkan upah bagi kuda kuda cremona jika konstruksi anda akan menggunakan sistem ini kuda kuda cremona adalah elemen konstruksi yang digunakan untuk menopang baja wf dan membentuk atap struktur

**pdf analisa biaya bangunan pekerjaan konstruksi baja menggunakan** - Aug 03 2022

web analisa perbandingan biaya pada pekerjaan konstruksi baja pada proyek pembangunan pasar tradisional blimbing lamongan didapat jumlah rencana anggaran biaya metode sni sebesar rp 3 833 857 779 56 dan metode hspk sebesar rp 3 786 269 875 30 maka selisih jumlah harga dari metode sni dan hspk adalah rp 47 587 904 26

**cara menghitung rab kebutuhan material baja pada konstruksi baja** - Oct 05 2022

web jan 14 2020 cara menghitung rab kebutuhan material baja pada konstruksi baja marsudi handoyo 41 3k subscribers join subscribe 907 52k views 3 years ago konstruksi baja gudang

**rab pdf scribd** - Apr 11 2023

web description contoh rab gudang dengan rangka baja copyright all rights reserved available formats download as xls pdf txt or read online from scribd flag for inappropriate content download now of 3 rencana anggaran biaya pekerjaan gudang uk 25x50 m 2 unit lokasi benda cicurug sukabumi no uraian

**contoh rab gudang konstruksi baja dengan format xls** - Sep 04 2022

web jun 9 2023 pembangunan gudang konstruksi baja memerlukan perhitungan yang matang termasuk dalam hal penganggaran atau rab rencana anggaran biaya dalam artikel ini akan dijelaskan contoh rab untuk pembangunan gudang konstruksi baja dengan format xls perhitungan rab gudang konstruksi baja xls

**data pembangunan gudang konstruksi rangka baja berat bentang 30 m rab** - Jun 01 2022

web data pembangunan gudang konstruksi rangka baja berat bentang 30 m rab gambar kerja donwload gratis gudang merupakan bagian penting dalam sebuah perusahaan warman 2004 mendefinisikan gudang sebagai ruang untuk menyimpan barang sedangkan pergudangan adalah suatu aktifitas menyimpan barang

**analisa dan biaya konstruksi baja ak perhitungan struktur gudang** - Mar 30 2022

web 28 neutron vol 10 no 1 pebruari 2010 28 42 analisa dimensi dan biaya struktur baja m ikhsan setiawan abstrak perhitungan perhitungan struktur yang dilakukan dalam penelitian ini disesuaikan dengan peraturan peraturan yang berlaku seperti sksni t 15 1991 03 ppbbi 1984 ppiug 1983 setelah dilakukan analisa ulang

**contoh rab gudang konstruksi baja beinyu com** - Dec 27 2021

web rab gudang konstruksi baja berfungsi sebagai acuan untuk membantu kontraktor dalam mengukur biaya yang diperlukan untuk menyelesaikan proyek gudang baja dengan rab ini kontraktor dapat menghemat waktu dan usaha untuk mengukur biaya yang dibutuhkan untuk proyek konstruksi gudang baja

**perbandingan rencana anggaran biaya konstruksi baja** - Mar 10 2023

web 1 material baja ini semakin luas penggunaannya dalam pekerjaan konstruksi rangka atap baik perumahan gedung sekolah rumah sakit dan sebagainya apabila dibandingkan dengan material kayu material baja ini sangat mudah dikerjakan

dan lebih cepat dalam pelaksanaannya

**rab gudang 66x20 pdf scribd** - Jan 08 2023

web pekerjaan struktur baja kolom kb1 wf 250x125x5x8 kg 18 500 150 427 200 rangka kuda kuda wf 250x125x5x8 kg 18 500 75 213 600 rangka kuda kuda wf 125x60x6x8 kg 475 20 18 500 8 791 200 rangka ikatan antar kuda kuda kg 660 00 18 500 12 210 000 gording c 125x50x20x3 2 kg 22 000 283 372 320 trekstang besi beton

**rab konstruksi baja wf xls gambar dan rencana anggaran** - May 12 2023

web aug 20 2021 sistem konstruksi besi baja wf adalah dari kombinasi elemen atau struktur yang cukup rumit panjang 12 m tinggi 10 cm lebar 5 cm tebal badan 5 mm tebal sayap 7 mm tabel baja berat baja ukuran baja harga baja wf besi

**rincian biaya upah kerja konstruksi baja lengkap dengan alat** - Aug 15 2023

web borongan upah kerja konstruksi baja adalah sejumlah biaya yang telah disepakati antara pemberi pekerjaan kepada seorang pemborong untuk melaksanakan pabriasi pengecatan dan pemasangan erection konstruksi baja dengan batas waktu serta ketentuan ketentuan lain yang sepakati bersama

*contoh rab konstruksi baja wf dalam format excel* - Jan 28 2022

web jun 8 2023 rab konstruksi baja wf xls sangat penting untuk memastikan proyek pembangunan berjalan sesuai dengan anggaran yang telah ditetapkan dalam membuat rab tersebut perlu mempertimbangkan beberapa komponen biaya seperti perencanaan pembelian material pekerjaan sipil pekerjaan baja dan pekerjaan finishing

rab bangunan baja satu aplikator material baja - Jul 02 2022

web rab bangunan rab rencana anggaran biaya adalah perencanaan biaya yang dibutuhkan dalam suatu proyek konstruksi atau pembangunan dalam contoh rab bangunan tercantum perkiraan biaya yang diperlukan mulai dari awal hingga proyek tersebut selesai

**pdf rab konstruksi baja menara masjid academia edu** - Feb 26 2022

web see full pdfdownload pdf rekapitulasi rencana anggaran biaya konstruksi baja menara masjid a pekerjaan 10 00m 19 32m 1 kolom wf 200 x 100 x 5 7 x 8mm rp 34 431 398 2 base plat 360mm x 300mm x 10mm rp 1 503 376 3 baut mur angkur 19mm rp 2 390 160 4 portal frame wf horisontal 150 x 75 x 5 x 7mm

rab bangunan terbaru 2020 format excel sofcopy gratis - Feb 09 2023

web bagi sahabat yang ingin mendownload rab terbaru versi tahun 2020 juga plus tutorial cara penyusunan rab nya bisa di download pada deskripsi video dibawah ini cara download rab nya masuk ke youtube diatas cari narasi

analisa rab pekerjaan rangka atap baja ringan excel murah - Apr 30 2022

web jan 30 2023 contoh rab atap baja ringan salah satu bagian terpenting dalam membangun sebuah bangunan ataupun rumah adalah menyusun rancangan anggaran biaya rab hal ini sangat penting dan tidak bisa dilewati sebab kita perlu

mengetahui seberapa besar dana yang harus disiapkan untuk mengerjakan suatu proyek konstruksi

**environment and social commitment plan world bank** - Dec 27 2022

web the federal democratic republic of ethiopia recipient will implement the ethiopia public procurement system strengthening project the project with the involvement of the public procurement and property administration agency pppaa under the ministry of finance mof

**federal public procurement directive ethiopian** - Nov 25 2022

web given to them in the ethiopian federal government procurement and property administration proclamation no 649 2009 3 scope of application this directive shall apply to all federal public procurements to which the proclamation is applicable 4 principles any authority and execution of procurement must comply with the following principles

*federal democratic republic of ethiopia somali regional state* - Mar 18 2022

web ethiopia pefa assessment 2018 somali regional state government 2 pfm public financial management phcu primary health care unit pim public investment management pip public investment project ppadd public procurement and assets disposal department pppa public procurement and property administration authority

**federal democratic republic of ethiopia the city of addis** - Apr 30 2023

web pefa public expenditure and financial accountability pfm public financial management phcu primary health care unit pi performance indicator pim public investment management ppa public procurement and property administration authority ppacp procurement and property administration core process ppp public private partnership

general procurement notice federal democratic republic of ethiopia - Feb 26 2023

web general procurement notice federal democratic republic of ethiopia institutional support project for public private partnerships isp ppp project id no p et kf0 004 grant no 2100155029867

**pdf integrity in federal public procurement of ethiopia** - Aug 03 2023

web pdf on dec 12 2020 tadewos mentta published integrity in federal public procurement of ethiopia find read and cite all the research you need on researchgate

public procurement manual english version pdf the federal - Apr 18 2022

web view public procurement manual english version pdf from aa 1the federal democratic republic of ethiopia ministry of finance and economic development public procurement and property administration

**ethiopia country procurement assessment report findings and** - Jun 01 2023

web the cpar has reviewed the ethiopian procurement system against the generally accepted international principles of sound procurement fiduciary management meeting the ethiopia country procurement assessment report findings and recommendations

*the federal democratic republic of ethiopia requests for purchasing - Aug 23 2022*

web may 6 2020 this paper focuses on the federal democratic republic of ethiopia s requests for purchasing under the rapid financing instrument rfi debt relief under the catastrophe containment and relief trust rephasing of access under the three year arrangements under the extended credit facility and the extended fund facility and

*federal democratic republic of ethiopia amhara national - Jan 28 2023*

web pefa public expenditure and financial accountability pesfa public enterprises support and follow up authority pfm public financial management pi performance indicator pip public investment project ppa public procurement agency ppad procurement and property administration directorate ppp public private partnership

ethiopia pefa federal report - Oct 25 2022

web the federal democratic republic of ethiopia the federal pfm performance report 23 october 2007 2 currency and exchange rates currency unit ethiopian birr etb 1 etb 12 935 as of october 23 2007 us 1 etb 9 0856 as of october 23 2007 government fiscal year fy july 8 july 7

**public procurement ministry of finance and economic - Sep 23 2022**

web public procurement 814 the federal electronic government procurement and sale of disposable property directive no 814 2021 search ministry about us services partners information vacancies bid forms contact addis ababa ethiopia 251 111 552015 251 111 555189 fax infopr mofed gov et

ethiopia country procurement assessment - Jul 22 2022

web december 1996 deals inter alias with procurement and contracts by public bodies and public disbursements this financial proclamation constitutes the procurement law issued pursuant to article 55 1 of the constitution of the federal republic of ethiopia articles 68 and 69 of the

the federal democratic republic of ethiopia imf - Jun 20 2022

web the federal democratic republic of ethiopia requests for purchasing under the rapid financing instrument debt relief under the catastrophe containment and relief trust rephasing of access under the three year arrangements under the extended credit facility and the extended fund facility and reduction of access under the extended

*the federal electronic government procurement - Mar 30 2023*

web and article 16 1 f of the definition of powers and duties of the executive organs of the federal democratic republic of ethiopia proclamation no 1097 2011 2 short title this directive may be cited as the federal electronic government procurement and sale of disposable property directive no 814 2021 3 purpose of the directive

*federal democratic republic of ethiopia federal government - Jul 02 2023*

web pefa assessment 2018 the federal government of ethiopia 5 executive summary 1 the objective of the public expenditure

and financial accountability pefa assessments is to review the current performance of the public financial management pfm systems processes and institutions of the federal government of ethiopia

**assessment of the public procurement system in ethiopia** - Sep 04 2023

web assessment of the public procurement system in ethiopia p a g e 1 528 the federal democratic republic of ethiopia

assessment of the public procurement system volume iii annexes 2021 p a g e 2 528 2022 international bank for reconstruction and development the world bank

*federal democratic republic of ethiopia other public sector study* - May 20 2022

web sep 16 2016 abstract ethiopia is a highly decentralized country presently sub national government taxes and revenues account for about 28 percent of general taxes and revenues and sub national expenditures amount to 51 percent of general government expenditures the ensuing vertical mismatch is bridged by grants from the federal

**assessment of ethiopia s public procurement** - Oct 05 2023

web the federal democratic republic of ethiopia assessment of the public procurement system volume i 2021 1 june 2021

2022 international bank for reconstruction and development the world bank 1818 h street nw washington dc 20433

telephone 202 473 1000 internet worldbank org

*the federal democratic republic of ethiopia ministry of finance* - Feb 14 2022

web the federal democratic republic of ethiopia ministry of finance and economic development public procurement and property administration agency public procurement manual