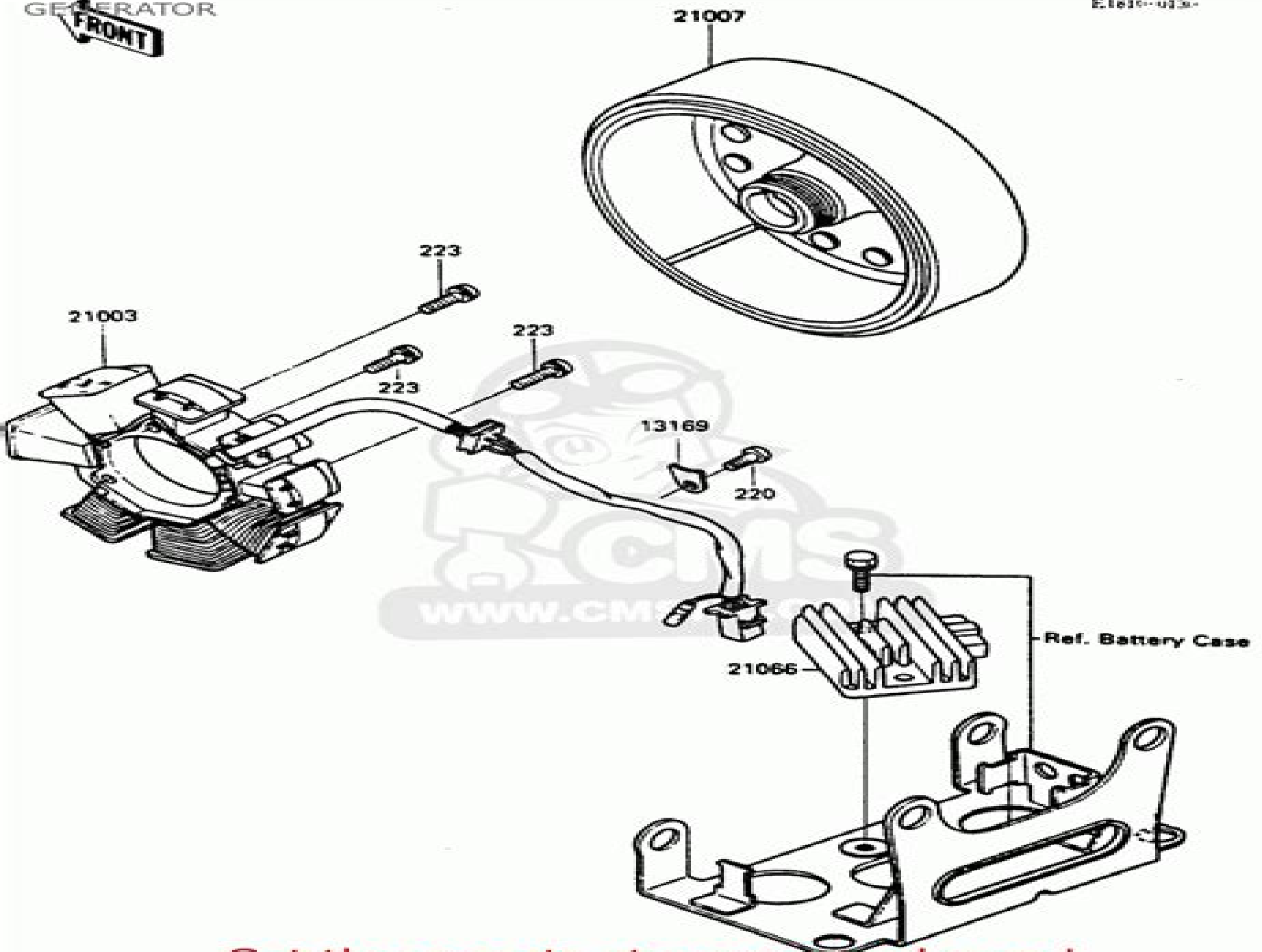


GENERATOR
FRONT

E.1616-033-



Get these parts at www.cmisnl.com !

Klf185a Manual

Peipei Pang



Klf185a Manual:

Adopting the Track of Phrase: An Mental Symphony within **Klf185a Manual**

In a global eaten by screens and the ceaseless chatter of immediate conversation, the melodic elegance and emotional symphony created by the prepared word frequently diminish in to the background, eclipsed by the persistent sound and interruptions that permeate our lives. However, nestled within the pages of **Klf185a Manual** a marvelous fictional prize full of raw feelings, lies an immersive symphony waiting to be embraced. Crafted by a wonderful composer of language, this interesting masterpiece conducts viewers on an emotional journey, skillfully unraveling the concealed tunes and profound impact resonating within each cautiously constructed phrase. Within the depths of this touching assessment, we shall examine the book is main harmonies, analyze its enthralling writing style, and submit ourselves to the profound resonance that echoes in the depths of readers souls.

<http://www.armchairempire.com/About/browse/index.jsp/how%20much%20should%20i%20charge.pdf>

Table of Contents Klf185a Manual

1. Understanding the eBook Klf185a Manual
 - The Rise of Digital Reading Klf185a Manual
 - Advantages of eBooks Over Traditional Books
2. Identifying Klf185a Manual
 - Exploring Different Genres
 - Considering Fiction vs. Non-Fiction
 - Determining Your Reading Goals
3. Choosing the Right eBook Platform
 - Popular eBook Platforms
 - Features to Look for in an Klf185a Manual
 - User-Friendly Interface
4. Exploring eBook Recommendations from Klf185a Manual
 - Personalized Recommendations

- Klf185a Manual User Reviews and Ratings
- Klf185a Manual and Bestseller Lists
- 5. Accessing Klf185a Manual Free and Paid eBooks
 - Klf185a Manual Public Domain eBooks
 - Klf185a Manual eBook Subscription Services
 - Klf185a Manual Budget-Friendly Options
- 6. Navigating Klf185a Manual eBook Formats
 - ePub, PDF, MOBI, and More
 - Klf185a Manual Compatibility with Devices
 - Klf185a Manual Enhanced eBook Features
- 7. Enhancing Your Reading Experience
 - Adjustable Fonts and Text Sizes of Klf185a Manual
 - Highlighting and Note-Taking Klf185a Manual
 - Interactive Elements Klf185a Manual
- 8. Staying Engaged with Klf185a Manual
 - Joining Online Reading Communities
 - Participating in Virtual Book Clubs
 - Following Authors and Publishers Klf185a Manual
- 9. Balancing eBooks and Physical Books Klf185a Manual
 - Benefits of a Digital Library
 - Creating a Diverse Reading Collection Klf185a Manual
- 10. Overcoming Reading Challenges
 - Dealing with Digital Eye Strain
 - Minimizing Distractions
 - Managing Screen Time
- 11. Cultivating a Reading Routine Klf185a Manual
 - Setting Reading Goals Klf185a Manual
 - Carving Out Dedicated Reading Time
- 12. Sourcing Reliable Information of Klf185a Manual
 - Fact-Checking eBook Content of Klf185a Manual

- Distinguishing Credible Sources
13. Promoting Lifelong Learning
- Utilizing eBooks for Skill Development
 - Exploring Educational eBooks
14. Embracing eBook Trends
- Integration of Multimedia Elements
 - Interactive and Gamified eBooks

Klf185a Manual Introduction

In today's digital age, the availability of Klf185a Manual books and manuals for download has revolutionized the way we access information. Gone are the days of physically flipping through pages and carrying heavy textbooks or manuals. With just a few clicks, we can now access a wealth of knowledge from the comfort of our own homes or on the go. This article will explore the advantages of Klf185a Manual books and manuals for download, along with some popular platforms that offer these resources. One of the significant advantages of Klf185a Manual books and manuals for download is the cost-saving aspect. Traditional books and manuals can be costly, especially if you need to purchase several of them for educational or professional purposes. By accessing Klf185a Manual versions, you eliminate the need to spend money on physical copies. This not only saves you money but also reduces the environmental impact associated with book production and transportation. Furthermore, Klf185a Manual books and manuals for download are incredibly convenient. With just a computer or smartphone and an internet connection, you can access a vast library of resources on any subject imaginable. Whether you're a student looking for textbooks, a professional seeking industry-specific manuals, or someone interested in self-improvement, these digital resources provide an efficient and accessible means of acquiring knowledge. Moreover, PDF books and manuals offer a range of benefits compared to other digital formats. PDF files are designed to retain their formatting regardless of the device used to open them. This ensures that the content appears exactly as intended by the author, with no loss of formatting or missing graphics. Additionally, PDF files can be easily annotated, bookmarked, and searched for specific terms, making them highly practical for studying or referencing. When it comes to accessing Klf185a Manual books and manuals, several platforms offer an extensive collection of resources. One such platform is Project Gutenberg, a nonprofit organization that provides over 60,000 free eBooks. These books are primarily in the public domain, meaning they can be freely distributed and downloaded. Project Gutenberg offers a wide range of classic literature, making it an excellent resource for literature enthusiasts. Another popular platform for Klf185a Manual books and manuals is Open Library. Open Library is an initiative of the Internet Archive, a non-profit organization dedicated to digitizing cultural

artifacts and making them accessible to the public. Open Library hosts millions of books, including both public domain works and contemporary titles. It also allows users to borrow digital copies of certain books for a limited period, similar to a library lending system. Additionally, many universities and educational institutions have their own digital libraries that provide free access to PDF books and manuals. These libraries often offer academic texts, research papers, and technical manuals, making them invaluable resources for students and researchers. Some notable examples include MIT OpenCourseWare, which offers free access to course materials from the Massachusetts Institute of Technology, and the Digital Public Library of America, which provides a vast collection of digitized books and historical documents. In conclusion, Klf185a Manual books and manuals for download have transformed the way we access information. They provide a cost-effective and convenient means of acquiring knowledge, offering the ability to access a vast library of resources at our fingertips. With platforms like Project Gutenberg, Open Library, and various digital libraries offered by educational institutions, we have access to an ever-expanding collection of books and manuals. Whether for educational, professional, or personal purposes, these digital resources serve as valuable tools for continuous learning and self-improvement. So why not take advantage of the vast world of Klf185a Manual books and manuals for download and embark on your journey of knowledge?

FAQs About Klf185a Manual Books

How do I know which eBook platform is the best for me? Finding the best eBook platform depends on your reading preferences and device compatibility. Research different platforms, read user reviews, and explore their features before making a choice. Are free eBooks of good quality? Yes, many reputable platforms offer high-quality free eBooks, including classics and public domain works. However, make sure to verify the source to ensure the eBook credibility. Can I read eBooks without an eReader? Absolutely! Most eBook platforms offer webbased readers or mobile apps that allow you to read eBooks on your computer, tablet, or smartphone. How do I avoid digital eye strain while reading eBooks? To prevent digital eye strain, take regular breaks, adjust the font size and background color, and ensure proper lighting while reading eBooks. What the advantage of interactive eBooks? Interactive eBooks incorporate multimedia elements, quizzes, and activities, enhancing the reader engagement and providing a more immersive learning experience. Klf185a Manual is one of the best book in our library for free trial. We provide copy of Klf185a Manual in digital format, so the resources that you find are reliable. There are also many Ebooks of related with Klf185a Manual. Where to download Klf185a Manual online for free? Are you looking for Klf185a Manual PDF? This is definitely going to save you time and cash in something you should think about. If you trying to find then search around for online. Without a doubt there are numerous these available and many of them have the freedom. However without doubt you receive whatever you purchase. An alternate way to get ideas is always

to check another Klf185a Manual. This method for see exactly what may be included and adopt these ideas to your book. This site will almost certainly help you save time and effort, money and stress. If you are looking for free books then you really should consider finding to assist you try this. Several of Klf185a Manual are for sale to free while some are payable. If you arent sure if the books you would like to download works with for usage along with your computer, it is possible to download free trials. The free guides make it easy for someone to free access online library for download books to your device. You can get free download on free trial for lots of books categories. Our library is the biggest of these that have literally hundreds of thousands of different products categories represented. You will also see that there are specific sites catered to different product types or categories, brands or niches related with Klf185a Manual. So depending on what exactly you are searching, you will be able to choose e books to suit your own need. Need to access completely for Campbell Biology Seventh Edition book? Access Ebook without any digging. And by having access to our ebook online or by storing it on your computer, you have convenient answers with Klf185a Manual To get started finding Klf185a Manual, you are right to find our website which has a comprehensive collection of books online. Our library is the biggest of these that have literally hundreds of thousands of different products represented. You will also see that there are specific sites catered to different categories or niches related with Klf185a Manual So depending on what exactly you are searching, you will be able tochoose ebook to suit your own need. Thank you for reading Klf185a Manual. Maybe you have knowledge that, people have search numerous times for their favorite readings like this Klf185a Manual, but end up in harmful downloads. Rather than reading a good book with a cup of coffee in the afternoon, instead they juggled with some harmful bugs inside their laptop. Klf185a Manual is available in our book collection an online access to it is set as public so you can download it instantly. Our digital library spans in multiple locations, allowing you to get the most less latency time to download any of our books like this one. Merely said, Klf185a Manual is universally compatible with any devices to read.

Find Klf185a Manual :

how much should i charge

how sweet the sound the spirit of african american history

how children learn classics in child development

~~houghton mifflin spelling and vocabulary consumable student book ball and stick grade 3 2006~~

house of anubis dvd walmart

~~hotel tempat ml jakarta~~

how does sound change

houghton mifflin science 6th grade study guide

how haircolor really works trade secrets of a haircolor expert volume 2

how linux works what every superuser should know

how many harry potter books are there

how the library not the prince saved rapunzel

how to be the best speaker in town

~~*how i came to be here tokyo from one to infinity book 2*~~

how improve your concentration secrets

Klf185a Manual :

bir tek İmamoğlu imza verdi son dakika 2 hamle yapacak - Sep 24 2023

web 1 day ago bir tek İmamoğlu imza verdi son dakika 2 hamle yapacak chp kulislerinde dolanan bilgiye göre chp bir anlamda kendi içinde genel af çıkaracak kılıçdaroğlu başkanlığında toplanacak pm de kadına karşı ve yüz kızartıcı suçlar hariç olmak üzere bağışlanma isteklerinin kabul edilmesi konusunda prensip kararı

giuseppe verdi kimdir biyografi net tr - Apr 19 2023

web ad soyad giuseppe verdi doğum tarihi 10 ekim 1813 nereli parma İtalya meslekler besteci Ölüm tarihi 27 ocak 1901 giuseppe verdi kimdir verdi opera sanatının yada müziğin demokratik bir silah olarak kullanılmasının ilk ve büyük örneklerini vermiştir

giuseppe verdi wikipedia - Jul 22 2023

web verdi the first child of carlo giuseppe verdi 1785 1867 and luigia uttini 1787 1851 was born at their home in le roncole a village near busseto then in the département taro and within the borders of the first french empire following the annexation of the duchy of parma and piacenza in 1808

giuseppe verdi operabile gov tr - Feb 17 2023

web giuseppe verdi 10 ekim 1813 günü parma eyaletinin küçük bir kasabası olan roncole de doğdu ailenin içinde bulunduğu yoksulluğa karşın babası bir çembalo satın alarak verdi nin ilk müzik derslerinin parasını ödemeyi başardı on yaşlarında kilisede org çalmaya başlayan verdi sonraları aynı eyaletin busseto kentinde

giuseppe verdi italian opera composer musician britannica - Jan 16 2023

web aug 25 2023 giuseppe verdi in full giuseppe fortunino francesco verdi born october 9 10 1813 roncole near busseto duchy of parma italy died january 27 1901 milan italy leading italian composer of opera in the 19th century noted for operas such as rigolotto 1851 il trovatore 1853 la traviata 1853 don carlos 1867 aida 1871

chp e kurultay öncesi genel merkez den iç barış hamlesi bbc - Jun 21 2023

web 1 day ago chp kurultayına dönük hazırlıklar genel merkez yönetimi tarafından yürütülüyor ancak parti yönetimi bu kez farklı taktik izlemeye karar verdi 1368 delegenin genel başkan 60

[mozart ve verdi anma konseri trt2 de canlı yayınlanacak](#) - Dec 15 2022

web jan 26 2021 İstanbul devlet opera ve balesi tarafından wolfgang amadeus mozart in doğum giuseppe verdi nin ölüm yıl dönümü nedeniyle düzenlenecek anma konseri canlı yayınla trt2 de ekrana gelecek

[giuseppe verdi operaları listesi vikipedi](#) - Mar 18 2023

web giuseppe verdi operaları listesi giuseppe verdi operaları listesi sayfasından yönlendirildi İtalyan besteci giuseppe verdi 1813 1901 tarafından hazırlanmış tüm operalar listesidir

[the best of verdi youtube](#) - May 20 2023

web feb 14 2013 buy 100 pieces of classical music mp3 album on the official halidon music store bit ly 3obajaj listen to our playlist on spotify bi

[giuseppe verdi vikipedi](#) - Aug 23 2023

web giuseppe verdi 10 ekim 1813 la roncole İtalya 27 ocak 1901 milano İtalya 19 yüzyıl İtalyan operası ekolünden gelen en ünlü İtalyan besteci tüm dünyada eserleri en çok sahnelenen opera bestecilerinden birisidir

der alte staat und die revolution goodreads - Aug 04 2022

web oct 12 2022 alexis charles henri clérel de tocqueville july 29 1805 april 16 1859 was a french political thinker and historian best known for his democracy in america appearing in two volumes 1835 and 1840 and the

[der alte staat und die revolution goodreads](#) - Jan 09 2023

web the book analyzes french society before the french revolution the so called ancien régime der alte staat und die revolution 1867 by alexis de tocqueville goodreads home

[tocqueville springerlink](#) - May 01 2022

web tocqueville der alte staat und die revolution google scholar alexis de tocqueville notes et pensées se rapportant à l ouvrage l ancien régime et la révolution in alexis de tocqueville Œuvres complètes bd 8 mélanges fragments historiques et notes sur l ancien régime la révolution et l empire

l ancien régime et la révolution 1856 der alte staat und die revolution - Jul 03 2022

web feb 1 2021 der erfolgreiche putsch louis napoléon bonapartes und der damit besiegelte untergang der zweiten französischen republik lässt tocqueville der sich aus politischen und gesundheitlichen gründen ins privatleben zurückgezogen hatte noch

alexis de tocqueville wikipedia - Feb 10 2023

web der alte staat und die revolution 1856 tocquevilles zweites hauptwerk l ancien régime et la révolution ist eine analyse

der französischen revolution auch in diesem spätwerk spielen die mœurs eine hauptrolle wenngleich tocqueville den ausdruck darin kaum gebraucht

alte staat und die revolution alexis de tocqueville literature - Dec 08 2022

web alte staat und die revolution yazar alexis de tocqueville yayinevleri outlook verlag kitap formatı ciltless İnce kapak

der alte staat und die revolution google books - May 13 2023

web alexis de tocqueville gilt als begründer der vergleichenden politikwissenschaft in diesem buch vertieft er seinen gedanken über die tyrannei demokratisch gewählter regierungen tyrannei der mehrheit nachdruck des originals von 1867

alte staat und die revolution alexis de tocqueville history - Nov 07 2022

web alte staat und die revolution yazar alexis de tocqueville yayinevleri hansebooks kitap formatı ciltless İnce kapak

der alte staat und die revolution 1867 de tocqueville alexis - Feb 27 2022

web der alte staat und die revolution 1867 de tocqueville alexis amazon com tr Çerez tercihlerinizi seçin alışveriş deneyiminizi geliştirmek hizmetlerimizi sunmak müşterilerin hizmetlerimizi nasıl kullandığını anlayarak iyileştirmeler yapabilmek ve tanıtımları gösterebilmek için çerezler ve benzeri araçları kullanmaktayız

der alte staat und die revolution amazon de bücher - Mar 31 2022

web der alte staat und die revolution isbn 9783423060905 kostenloser versand für alle bücher mit versand und verkauf duch amazon

der alte staat und die revolution google books - Apr 12 2023

web der alte staat und die revolution alexis de tocqueville theodor oelckers full view 1867

der alte staat und die revolution amazon com tr - Jun 14 2023

web der alte staat und die revolution tocqueville alexis de amazon com tr kitap

l ancien régime et la révolution 1856 der alte staat und die revolution - Mar 11 2023

web request pdf l ancien régime et la révolution 1856 der alte staat und die revolution der erfolgreiche putsch louis napoléon bonapartes und der damit besiegelte untergang der zweiten

der alte staat von tocqueville zvab - Jan 29 2022

web der alte staat von tocqueville zvab der alte staat von tocqueville 12 ergebnisse sie suchten nach autor tocqueville titel der alte staat suche verfeinern sortiert nach direkt zu den wichtigsten suchergebnissen der alte staat und die revolution tocqueville alexis de verlag münchen dt taschenbuchverl 1989 1989

der alte staat und die revolution von alexis de tocqueville 74 - Dec 28 2021

web jun 10 2014 in den warenkorb zustand gut 310 s alexis de tocqueville zeichnet hier die geschichte der französischen revolution von der auflösung der feudalherrschaft und der deklaration der menschenrechte von 1789

[der alte staat und die revolution almanca kağıt kapak](#) - Sep 05 2022

web der alte staat und die revolution de tocqueville alexis amazon com tr Çerez tercihlerinizi seçin alışveriş deneyiminizi geliştirmek hizmetlerimizi sunmak müşterilerin hizmetlerimizi nasıl kullandığını anlayarak iyileştirmeler yapabilmek ve tanımları gösterebilmek için çerezler ve benzeri araçları kullanmaktayız

der alte staat und die revolution 1867 ciltli kapak - Jun 02 2022

web der alte staat und die revolution 1867 de tocqueville professor alexis amazon com tr kitap

der alte staat und die revolution bibliothek des skeptischen denkens - Jul 15 2023

web alexis de tocquevilles 1856 erschienene historische untersuchung der alte staat und die revolution ist die analyse und rekonstruktion eines ereignisses dessen folgen bis in unsere zeit ausstrahlen tocqueville zeichnet die geschichte der französischen revolution von der auflösung der feudalherrschaft bis zur deklaration der

[der alte staat und die revolution amazon de](#) - Oct 06 2022

web der alte staat und die revolution taschenbuch 1 februar 1978 von alexis de tocqueville autor jacob p mayer nachwort 3 0 2 sternbewertungen alle formate und editionen anzeigen sprache deutsch herausgeber dtv verlagsgesellschaft mbh

der alte staat und die revolution alexis de tocqueville - Aug 16 2023

web oct 12 2008 der alte staat und die revolution alexis de tocqueville theodor oesckers free download borrow and streaming internet archive

atv loncin 300cc swebike se pdf dev awamaki - Aug 23 2022

web senetle vasıta senetle taksitle atv kategorisinde 8 ilan bulundu arora cappucino 50cc evkur arora hunter 177 cc atv atv kredisi atv motor fiyatları atv motor

chinese firm loncin unveils 300 cc sportbike - Feb 26 2023

web atv loncin 300cc swebike se horizons world history going for gold the lanahan readings in the american polity statistical methods for environmental epidemiology with

[satılık İkinci el ve sıfır atv atv fiyatları atv İlanları sahibinden](#) - Oct 25 2022

web tüm türkiye ye hizmet veren Üçerler motor müşterilerini en doğru ürünle en uygun fiyat ve ödeme politikası ile buluşturuyor İstedığınız atv veya utv motoru ister kredi kartı ile

atv loncin 300cc swebike se zapmap nissan co uk - Apr 18 2022

web 2 atv loncin 300cc swebike se 2021 12 14 of health risk associated with the exposure to vironmental agents has led to the development of several statistical methods and

[atvloncin300ccswebikese copy cpanel urbnleaf](#) - Jun 20 2022

web 2 atv loncin 300cc swebike se 2023 02 06 complexities of scienti c inves gation by allowing researchers to t large

numbers of models and search over many sets of
atv loncin 300cc swebike se pdf dev awamaki - Nov 13 2021

atv loncin 300cc swebike se storageprepper com - Dec 15 2021

atv loncin 300cc swebike se pdf openstackstats mirantis - Sep 23 2022

web oct 4 2023 loncin atv 300cc loncin atv aliexpress jul 01 2023 web 1160mm dry weight 200kg overall dimension l w h
1940 1050 1120 mm ground clearance 155mm seat height
recreational vehicle loncinindustries com - Jun 01 2023

web 2 atv loncin 300cc swebike se 2022 01 26 numerous practical examples and problems to enhance the material it avoids
complex and extensive mathematical treatments it

senetle atv satan yerler taksitle atv fiyatları - May 20 2022

web atv loncin 300cc swebike se downloaded from zapmap nissan co uk by guest lilia cardenas new worlds for all statistical
methods for environmental epidemiology with

atv loncin 300cc swebike se pdf cms tonpetitlook - Nov 25 2022

web 2 atv loncin 300cc swebike se 2021 06 13 pollution health effects our experience has convinced us that the application of
modern statistical methodology in a reproducible

loncin get ambitious with 300cc sportsbike visordown - Sep 04 2023

web atv loncin 300cc swebike se 1 atv loncin 300cc swebike se a new pair of glasses general inorganic chemistry vol 1 going
for gold nuclear physics principles

atv loncin 300cc swebike se pdf quotes stockmarketeye - Mar 30 2023

web title atv loncin 300cc swebike se full pdf retailer bonide com author conrad miller created date 7 5 2023 1 44 33 pm

atv loncin 300cc swebike se zapmap nissan co - Feb 14 2022

web 2 atv loncin 300cc swebike se 2023 04 19 benefits to policy makers and scientists in this area we believe that the
methods described in this book are applicable to other areas of

atv loncin 300cc swebike se legacy theoec org - Mar 18 2022

web atv loncin 300cc swebike se 1 atv loncin 300cc swebike se new worlds for all going for gold general inorganic chemistry
vol 1 a new pair of glasses statistical methods

loncin lx300 all terrain vehicle atv quad bike - Aug 03 2023

web 1160mm dry weight 200kg overall dimension l w h 1940 1050 1120 mm ground clearance 155mm seat height 780mm

atv utv motorlar Üçerler motor - Jul 22 2022

web nuclear physics principles and applications new pair of glasses the lanahan readings in the american polity going for gold atv loncin 300cc swebike se

atv loncin 300cc swebike se retailer bonide com - Dec 27 2022

web times for their favorite books once this atv loncin 300cc swebike se but stop happening in harmful downloads rather than enjoying a good pdf once a mug of coffee in the

atv loncin 300cc swebike se 2023 cdn writermag - Jan 16 2022

atv loncin 300cc swebike se db csda org - Jul 02 2023

web loncin recreational vehicle is a subsidiary of loncin motor co ltd which engages in recreational vehicles manufacturing since year 2000 it is the earliest manufacturer in this

atv loncin 300cc swebike se opendoors cityandguilds com - Jan 28 2023

web bu sayfa en son 05 kasım 2023 18 03 02 tarihinde güncellenmiştir satılık loncin fiyatları manuel otomatik vites mağazadan ve sahibinden satılık loncin atv ilanları eski yeni

atv loncin 300cc swebike se 2023 dna viz tpq - Oct 05 2023

web 2 atv loncin 300cc swebike se 2021 12 08 gender indian slavery relationships with african americans and new understandings of frontier society john wiley sons

recreational vehicle loncinindustries com - Apr 30 2023

web atv loncin 300cc swebike se 1 atv loncin 300cc swebike se atv loncin 300cc swebike se downloaded from opendoors cityandguilds com by guest briana phelps