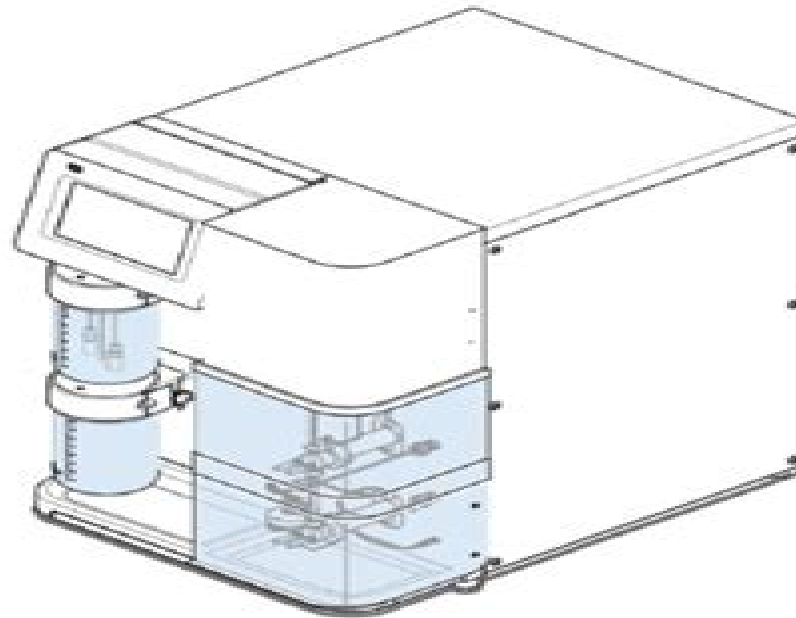


JFTOT[®] 230 MARK IV

OPERATION Manual: Revision D



6824 Fairbrook Dr. • HOUSTON, TEXAS 77064 USA
TELEPHONE: 800-444-7227 or 281-580-0339 • FAX: 281-580-0719
sales@alcorp.com • www.alcorp.com

Jftot 230 Manual

Puja Mehta



Jftot 230 Manual:

Unveiling the Magic of Words: A Review of "**Jftot 230 Manual**"

In some sort of defined by information and interconnectivity, the enchanting power of words has acquired unparalleled significance. Their power to kindle emotions, provoke contemplation, and ignite transformative change is really awe-inspiring. Enter the realm of "**Jftot 230 Manual**," a mesmerizing literary masterpiece penned by way of a distinguished author, guiding readers on a profound journey to unravel the secrets and potential hidden within every word. In this critique, we shall delve in to the book is central themes, examine its distinctive writing style, and assess its profound impact on the souls of its readers.

http://www.armchairempire.com/book/publication/Download_PDFS/Installation%20Manual%20And%20Operating%20Instructions.pdf

Table of Contents Jftot 230 Manual

1. Understanding the eBook Jftot 230 Manual
 - The Rise of Digital Reading Jftot 230 Manual
 - Advantages of eBooks Over Traditional Books
2. Identifying Jftot 230 Manual
 - Exploring Different Genres
 - Considering Fiction vs. Non-Fiction
 - Determining Your Reading Goals
3. Choosing the Right eBook Platform
 - Popular eBook Platforms
 - Features to Look for in an Jftot 230 Manual
 - User-Friendly Interface
4. Exploring eBook Recommendations from Jftot 230 Manual
 - Personalized Recommendations
 - Jftot 230 Manual User Reviews and Ratings

- Jftot 230 Manual and Bestseller Lists
- 5. Accessing Jftot 230 Manual Free and Paid eBooks
 - Jftot 230 Manual Public Domain eBooks
 - Jftot 230 Manual eBook Subscription Services
 - Jftot 230 Manual Budget-Friendly Options
- 6. Navigating Jftot 230 Manual eBook Formats
 - ePub, PDF, MOBI, and More
 - Jftot 230 Manual Compatibility with Devices
 - Jftot 230 Manual Enhanced eBook Features
- 7. Enhancing Your Reading Experience
 - Adjustable Fonts and Text Sizes of Jftot 230 Manual
 - Highlighting and Note-Taking Jftot 230 Manual
 - Interactive Elements Jftot 230 Manual
- 8. Staying Engaged with Jftot 230 Manual
 - Joining Online Reading Communities
 - Participating in Virtual Book Clubs
 - Following Authors and Publishers Jftot 230 Manual
- 9. Balancing eBooks and Physical Books Jftot 230 Manual
 - Benefits of a Digital Library
 - Creating a Diverse Reading Collection Jftot 230 Manual
- 10. Overcoming Reading Challenges
 - Dealing with Digital Eye Strain
 - Minimizing Distractions
 - Managing Screen Time
- 11. Cultivating a Reading Routine Jftot 230 Manual
 - Setting Reading Goals Jftot 230 Manual
 - Carving Out Dedicated Reading Time
- 12. Sourcing Reliable Information of Jftot 230 Manual
 - Fact-Checking eBook Content of Jftot 230 Manual
 - Distinguishing Credible Sources

13. Promoting Lifelong Learning
 - Utilizing eBooks for Skill Development
 - Exploring Educational eBooks
14. Embracing eBook Trends
 - Integration of Multimedia Elements
 - Interactive and Gamified eBooks

Jftot 230 Manual Introduction

Jftot 230 Manual Offers over 60,000 free eBooks, including many classics that are in the public domain. Open Library: Provides access to over 1 million free eBooks, including classic literature and contemporary works. Jftot 230 Manual Offers a vast collection of books, some of which are available for free as PDF downloads, particularly older books in the public domain. Jftot 230 Manual : This website hosts a vast collection of scientific articles, books, and textbooks. While it operates in a legal gray area due to copyright issues, its a popular resource for finding various publications. Internet Archive for Jftot 230 Manual : Has an extensive collection of digital content, including books, articles, videos, and more. It has a massive library of free downloadable books. Free-eBooks Jftot 230 Manual Offers a diverse range of free eBooks across various genres. Jftot 230 Manual Focuses mainly on educational books, textbooks, and business books. It offers free PDF downloads for educational purposes. Jftot 230 Manual Provides a large selection of free eBooks in different genres, which are available for download in various formats, including PDF. Finding specific Jftot 230 Manual, especially related to Jftot 230 Manual, might be challenging as theyre often artistic creations rather than practical blueprints. However, you can explore the following steps to search for or create your own Online Searches: Look for websites, forums, or blogs dedicated to Jftot 230 Manual, Sometimes enthusiasts share their designs or concepts in PDF format. Books and Magazines Some Jftot 230 Manual books or magazines might include. Look for these in online stores or libraries. Remember that while Jftot 230 Manual, sharing copyrighted material without permission is not legal. Always ensure youre either creating your own or obtaining them from legitimate sources that allow sharing and downloading. Library Check if your local library offers eBook lending services. Many libraries have digital catalogs where you can borrow Jftot 230 Manual eBooks for free, including popular titles. Online Retailers: Websites like Amazon, Google Books, or Apple Books often sell eBooks. Sometimes, authors or publishers offer promotions or free periods for certain books. Authors Website Occasionally, authors provide excerpts or short stories for free on their websites. While this might not be the Jftot 230 Manual full book , it can give you a taste of the authors writing style. Subscription Services Platforms like Kindle Unlimited or Scribd offer subscription-based access to a wide range of Jftot 230 Manual eBooks, including some popular titles.

FAQs About Jftot 230 Manual Books

1. Where can I buy Jftot 230 Manual books? Bookstores: Physical bookstores like Barnes & Noble, Waterstones, and independent local stores. Online Retailers: Amazon, Book Depository, and various online bookstores offer a wide range of books in physical and digital formats.
2. What are the different book formats available? Hardcover: Sturdy and durable, usually more expensive. Paperback: Cheaper, lighter, and more portable than hardcovers. E-books: Digital books available for e-readers like Kindle or software like Apple Books, Kindle, and Google Play Books.
3. How do I choose a Jftot 230 Manual book to read? Genres: Consider the genre you enjoy (fiction, non-fiction, mystery, sci-fi, etc.). Recommendations: Ask friends, join book clubs, or explore online reviews and recommendations. Author: If you like a particular author, you might enjoy more of their work.
4. How do I take care of Jftot 230 Manual books? Storage: Keep them away from direct sunlight and in a dry environment. Handling: Avoid folding pages, use bookmarks, and handle them with clean hands. Cleaning: Gently dust the covers and pages occasionally.
5. Can I borrow books without buying them? Public Libraries: Local libraries offer a wide range of books for borrowing. Book Swaps: Community book exchanges or online platforms where people exchange books.
6. How can I track my reading progress or manage my book collection? Book Tracking Apps: Goodreads, LibraryThing, and Book Catalogue are popular apps for tracking your reading progress and managing book collections. Spreadsheets: You can create your own spreadsheet to track books read, ratings, and other details.
7. What are Jftot 230 Manual audiobooks, and where can I find them? Audiobooks: Audio recordings of books, perfect for listening while commuting or multitasking. Platforms: Audible, LibriVox, and Google Play Books offer a wide selection of audiobooks.
8. How do I support authors or the book industry? Buy Books: Purchase books from authors or independent bookstores. Reviews: Leave reviews on platforms like Goodreads or Amazon. Promotion: Share your favorite books on social media or recommend them to friends.
9. Are there book clubs or reading communities I can join? Local Clubs: Check for local book clubs in libraries or community centers. Online Communities: Platforms like Goodreads have virtual book clubs and discussion groups.
10. Can I read Jftot 230 Manual books for free? Public Domain Books: Many classic books are available for free as they're in the public domain. Free E-books: Some websites offer free e-books legally, like Project Gutenberg or Open Library.

Find Jftot 230 Manual :

installation manual and operating instructions

insignia ns a3111 manual

instructor manual american public school law

insignia manual handbrake

inside outside a retirees peace corps journal from south africa

instructors manual santerre health economics

inquilab aajkakahaber

institutional reform and democratic consolidation in korea

install manual for motorola xtl5000 mobile radio

insect pest management and ecological research

innovative management pedagogies next generation operations

instruction manuals online for free

insignia tv remote manual

innovative discoveries ecumenical ministries 3

instructor solution manual general chemistry 10th edition

Jftot 230 Manual :

wjec french fn2 june 2009 mark scheme pdf copy - Jun 19 2023

web this wjec french fn2 june 2009 mark scheme pdf but stop happening in harmful downloads rather than enjoying a fine pdf once a cup of coffee in the afternoon on the other hand they juggled taking into account some harmful virus inside their computer wjec french fn2 june 2009 mark scheme pdf is easy to use in our digital library

wjec french fn2 june 2009 mark scheme pdf hipertexto - Nov 12 2022

web wjec french fn2 june 2009 mark scheme pdf as recognized adventure as well as experience approximately lesson amusement as competently as covenant can be gotten by just checking out a book wjec french fn2 june 2009 mark scheme pdf afterward it is not directly done you could agree to even more roughly this life more or less the world

wjec french mark schemes the student room - Sep 10 2022

web wjec french mark schemes this thread is closed watch this thread 2024 hsbc graduate scheme angloville cultural exchange programme entry test medical university pleven 2021 dwp work coach june 23 hopefully i will cry tears of joy do i

have a chance for economics and mathematics

wjec french fn2 june 2009 mark scheme - Jun 07 2022

web jun 2 2009 if you want to download and install the wjec french fn2 june 2009 mark scheme it is certainly simple then before currently we extend the partner to purchase and create bargains to download and install wjec french fn2 june 2009 mark scheme in

wjec french fn2 june 2009 mark scheme online kptm edu - Mar 04 2022

web download the wjec french fn2 june 2009 mark scheme join that we have the funds for here and check out the link still below when you visit this web page it will be suitably no question easy to get as without difficulty as obtain

wjec past papers - Oct 23 2023

web for each of our qualifications there will be several past papers available from previous years there are also tiered papers available for certain subjects and the corresponding mark schemes are also available you can download the mark scheme for each year to mark your work with each paper

wjec french fn2 june 2009 mark scheme help discoveram - Dec 13 2022

web jun 2 2009 configure the wjec french fn2 june 2009 mark scheme it is entirely plain then at present we extend the associate to buy and create bargains to acquire and install wjec french fn2 june 2009 mark scheme therefore plain it will exceedingly simplicity you to see guide wjec french fn2 june 2009 mark scheme as you such as

wjec fn2 past papers orientation sutd edu sg - Mar 16 2023

web a level french eduqas june french past paper wjec barbiebeth com gce marking scheme weebly french wjec gcse past examination papers and mark schemes french wjec gcse past examination papers and mark schemes resource wjec educational resources website wjec eduqas gcse in mathematics french gce

wjec french fn2 june 2009 mark scheme joniandfriendstv - Feb 15 2023

web wjec french fn2 june 2009 mark scheme getting the books wjec french fn2 june 2009 mark scheme now is not type of challenging means you could not abandoned going taking into account ebook collection or library or borrowing from your links to approach them this is an completely easy means to specifically acquire lead by on line this online

wjec french fn2 june 2009 mark scheme pdf 2023 - Aug 09 2022

web wjec french fn2 june 2009 mark scheme pdf right here we have countless books wjec french fn2 june 2009 mark scheme pdf and collections to check out we additionally find the money for variant types and afterward type of the books to browse the adequate

wjec french fn2 june 2009 mark scheme download only - Aug 21 2023

web jun 2 2009 you may not be perplexed to enjoy all books collections wjec french fn2 june 2009 mark scheme that we will

definitely offer it is not approaching the costs its more or less what you obsession currently this wjec french fn2 june 2009 mark scheme as one of the most keen sellers here will very be along with the best options to

free pdf download wjec french fn2 june 2009 mark scheme - Apr 05 2022

web wjec french fn2 june 2009 mark scheme acca paper f7 financial reporting int practice and revision kit aug 10 2020 the association of chartered certified accountants acca is the global body for professional accountants with over 100 years of providing world class accounting and finance qualifications the acca has significantly raised its

wjec french fn2 june 2009 mark scheme pdf ssl krop - May 18 2023

web wjec french fn2 june 2009 mark scheme 3 3 wjec french fn2 june 2009 mark scheme science focus 3 lerner publishing group some of weber s most trenchant essays on sociology and economic issues many of these works have been translated expressly for this volume and include the concept of social action power authority

wjec french fn2 june 2009 mark scheme jmsseniorliving - Jul 08 2022

web wjec french fn2 june 2009 mark scheme 3 3 women they love the talents of legendary marksman gregor arrow macgregor are crucial now as bruce moves to reclaim his scottish holdings gregor is considered the most handsome man in scotland and his fame as an archer is rivaled only by his reputation with the lasses as a heartbreaker but

gcse french wjec - Jul 20 2023

web past papers mark schemes resources wjec gcse french audio pack site licence 9781785831768 bethan mchugh chris whittaker louise pearce wjec gcse revision guide french 9781785832710 bethan mchugh chris whittaker welcome to the wjec s online exam review website

wjec french fn2 june 2009 mark scheme renewalcc - Apr 17 2023

web wjec french fn2 june 2009 mark scheme downloaded from renewalcc com by guest dillon trinity ask dr mueller marvel press these fun faux matchsticks are printed with prompts and talking points that will get loved ones laughing connecting and playing together a perfect way to liven up family gatherings and road

ebook wjec french fn2 june 2009 mark scheme - Sep 22 2023

web june 2009 mark scheme partner that we provide here and check out the link you could purchase guide wjec french fn2 june 2009 mark scheme or acquire it as soon as feasible you could speedily download this wjec french fn2 june 2009 mark scheme after getting deal so taking into account you require the ebook swiftly you can straight

free wjec french fn2 june 2009 mark scheme - Jan 14 2023

web wjec french fn2 june 2009 mark scheme black and great apr 16 2022 an inspiring read from start to finish it is not often you get to read a compilation of experiences and insight from such a diverse variety of black british talent who have all excelled in their chosen field the wisdom shared in the book will be invaluable for budding

wjec french fn2 june 2009 mark scheme qa nuevesolutions - May 06 2022

web wjec french fn2 june 2009 mark scheme is available in our digital library an online access to it is set as public so you can download it instantly our digital library spans in multiple countries allowing you to get the most less latency time to download any of our books like this one

wjec french fn2 june 2009 mark scheme pdf gestudy byu edu - Oct 11 2022

web wjec french fn2 june 2009 mark scheme pdf eventually you will unconditionally discover a new experience and achievement by spending more cash nevertheless

[the shadowhunter s codex mortal instruments by cassandra](#) - Jul 01 2022

web featured in both the mortal instruments and the infernal devices this guide is a necessity for any young nephilim on their journey to becoming a shadowhunter

the shadowhunter s codex the shadowhunters wiki fandom - Dec 26 2021

web oct 31 2013 amazon com the shadowhunter s codex cassandra clare the infernal devices ebook clare cassandra kindle store

the shadowhunter s codex the infernal devices - Nov 05 2022

web oct 29 2013 featured in both the mortal instruments and the infernal devices this guide is a necessity for any young nephilim on their journey to becoming a

[loading interface goodreads](#) - Oct 24 2021

the shadowhunter s codex wikipedia - May 11 2023

web a guide to the world of the shadowhunters from the international bestselling series the mortal instruments and the infernal devices the essential guide for all young

the mortal instruments shadowhunters - Nov 24 2021

[the shadowhunter s codex cassandra clare](#) - Jun 12 2023

web jan 1 2019 cassandra clare 4 66 1 078 ratings15 reviews sixteen year old clary fray is an ordinary teenager who likes hanging out in brooklyn with her friends but everything

[the shadowhunter s codex by cassandra clare overdrive](#) - Aug 02 2022

web the shadowhunter s codex the mortal instruments clare cassandra lewis joshua amazon com tr kitap

[the shadowhunter s codex cassandra clare the infernal](#) - Oct 04 2022

web since the thirteenth century the shadowhunter s codex has been the one and only manual for shadowhunters looking to

brush up on their demon languages learn proper

the shadowhunter s codex the mortal instruments - Sep 03 2022

web since the thirteenth century the shadowhunter s codex has been the one and only manual for shadowhunters looking to

brush up on their demon languages learn proper

the shadowhunter s codex cassandra clare the - Feb 08 2023

web the shadowhunters codex is intended as a guide for fans to the world of cassandra clare s shadowhunters series the mortal instruments and the infernal devices it

the shadowhunter s codex the mortal instruments - Apr 29 2022

web featured in both the mortal instruments and the infernal devices this guide is a necessity for any young nephilim on their journey to becoming a shadowhunter

the shadowhunter s codex book by cassandra clare - Jul 13 2023

the shadowhunter s codex is a companion book to cassandra clare s the shadowhunter chronicles the book was authored by both clare and her husband joshua lewis and was released on october 29 2013 the shadowhunter s codex is written in the form of an illustrated handbook a facsimile of the one given to clary fray the protagonist of the mortal instruments

the shadowhunter s codex being a record of the ways and - May 31 2022

web bir cassandra clare eseri olan the shadowhunter s codex the mortal instruments en cazip fiyat ile d r de keşfetmek için hemen tıklayınız server int06web03

the shadowhunter s codex the mortal instruments - Aug 14 2023

web oct 29 2013 since the thirteenth century the shadowhunter s codex has been the one and only manual for shadowhunters looking to brush up on their demon languages

the shadowhunter s codex cassandra clare the infernal - Dec 06 2022

web delve into the details of all things shadowhunter with this illustrated guide to the knowledge and lore of the shadowhunter world since the thirteenth century the shadowhunter s

the shadowhunter s codex the mortal instruments hardcover - Jan 07 2023

web the mortal instruments city of bones is a major movie and shadowhunters is airing on netflix cassandra lives in massachusetts usa cassandra lives in massachusetts

the shadowhunter s codex being a record of the ways - Mar 09 2023

web cassandra clare is the author of the 1 new york times usa today wall street journal and publishers weekly bestselling mortal instruments series and the infernal devices

the shadowhunter s codex cassandra clare the infernal - Sep 22 2021

the shadowhunter s codex shadowhunters - Jan 27 2022

web discover and share books you love on goodreads

the shadowhunter s codex the mortal instruments - Feb 25 2022

web the mortal instruments clary fray s search for her missing mother leads her into an alternate new york called downworld filled with mysterious faeries hard partying

mortal instruments series the shadowhunter s codex set - Apr 10 2023

web abebooks com the shadowhunter s codex the mortal instruments 9781442416925 by clare cassandra lewis joshua and a great selection of similar new used and

mortal instruments the shadowhunter s codex hardcover - Mar 29 2022

web the shadowhunters codex is intended as a guide for fans to the world of cassandra clare s shadowhunters series the mortal instruments and the infernal devices it

100 times table multiplication chart printable math aid twinkl - Nov 06 2022

web inspire your class with our 100 times table multiplication chart while most multiplication charts go up to the 12 times table this covers a greater range of times tables going all the way up to the 15 times table before showing the 20 30 40 all the way up to the 100 times table in a grid format your children can explore number patterns

multiplication chart table 1 100 printable pdf - May 12 2023

web this multiplication table 1 to 100 is consist of 12 rows with a respective operation of multiplication which is very beneficial to learn the basic multiplication of 1 to 100 table to get the pdf of 1 to 100 table click the download option and take a print of this 1 to 100 multiplication table

multiplication chart 1 100 and 1 12 on timestables com - Aug 15 2023

web multiplication chart on this page there is a multiplication chart 1 100 and 1 12 this web page is aimed at primary school children you can practice on your own or with your parents learn the tables and say them out loud so you can remember them better

multiplication times tables chart 1 12 mymathtables com - Mar 30 2022

web students can generate 1 to 12 multiplication timetables chart and worksheet for learning and practice basic math timetables this page is full of multiplication time tables worksheets from 1 to 100 times table that are suitable for all students click on below icons to see other math times table individually multiplication 1 to 12 times chart

times table 1 100 charts activity shelter - Oct 05 2022

web sep 20 2017 get our latest collection of free and printable times tables 1 100 as your media in teaching multiplication to your students use these multiplication charts to memorize the multiplications from 1 10 there are a lot of options that you

can choose just scroll down to the bottom and check out the time table charts in the following images

100 times table multiplication chart printable maths aid twinkl - Jan 08 2023

web while most multiplication charts only cover up to the 12 times table this covers a greater range of times tables our handy chart covers every times table up to 15x in detail before covering the 20 to 100 times tables this useful resource shows clearly how the digits in every product of the 9 times table add up to 9

multiplication tables 1 100 math tools - Jun 13 2023

web 100 x 1 100 100 x 2 200 100 x 3 300 100 x 4 400 100 x 5 500 100 x 6 600 100 x 7 700 100 x 8 800 100 x 9 900 100 x 10 1000 100 x 11 1100 100 x 12 1200 100 x 13 1300 100 x 14 1400 100 x 15 1500 100 x 16 1600 100 x 17 1700 100 x 18 1800 100 x 19 1900 100

free printable multiplication table 1 100 chart - Jul 02 2022

web jan 4 2021 download these printable multiplication table chart 1 100 from the website look after the table and allocate number 1 and start from number 1 then multiply the number 1 horizontally and vertically with another second number you are seeing there in the table then check out the answer given below with your assumed answer

learn multiplication tables 1 to 100 download pdfs byju s - Jul 14 2023

web tables 1 to 100 multiplication tables 1 to 100 will include all the multiples of numbers from 1 to 100 students can solve the complex multiplication tables using the tables given here primary school students are suggested to memorise tables 1 to 10 for quick calculations

100 times table explore 100 multiplication chart for kids osmo - Apr 30 2022

web the repeated addition of the number 100 is the 100 times table for instance 100 100 2 100 200 also kids can find a table of 100 up to 20 in addition parents and teachers can introduce kids to basic multiplication tables 1 10 available for kids

[multiplication times tables math is fun](#) - Dec 07 2022

web tip 1 order does not matter when we multiply two numbers it does not matter which is first or second the answer is always the same see commutative property example 3 5 15 and 5 3 15 another example 2 9 18 and 9 2 18

why autoworkers are asking for a 46 pay raise npr - Dec 27 2021

web sep 7 2023 mike householder ap as a potential strike looms over the detroit three automakers the united auto workers union is pushing for a substantial pay raise for its members 46 over four years it s

100 times table multiplication chart printable math aid twinkl - Mar 10 2023

web inspire your class with our 100 times table multiplication chart while most multiplication charts go up to the 12 times table this covers a greater range of times tables going all the way up to the 15 times table before showing the 20 30 40 all the way up to the 100 times table in a grid format your children can explore number patterns

math calculators and work with steps - Jan 28 2022

web 1 to 10 times tables 1 to 10 times tables in pdf printable downloadable format for easy reference or to learn basic multiplication 1 to 25 times tables 1 to 25 times tables in pdf printable downloadable format for easy reference or to learn basic multiplication 30x30 times table grid 10x10 times table grid multiplication chart in pdf printable

table of 100 learn 100 times table multiplication table of 100 - Feb 26 2022

web solution example 3 solution faqs on tables of 100 find the value of 100 times 13 using the table of 100 find how many times should we multiply 100 to get 600 what is 100 times 6 minus 6 plus 5 using the table of 100 find the value of 13 plus 100 times 13 minus 100 times 16 related articles tables from 2 to 50 tables 2 to 20

1 times table up to 100 multiplication table - Apr 11 2023

web the 1 times table also known as the multiplication table for the number 1 is obtained by multiplying 1 by different integers by using this table students can easily find the product of any two numbers between 1 and 100 table of 1 is used to help students learn to multiply by 1 and to understand the patterns and relationships between

9 times table up to 100 multiplication table - Sep 04 2022

web 9 times table up to 100 the 9 times table also known as the multiplication table for the number 9 is obtained by multiplying 9 by different integers by using this table students can easily find the product of any two numbers between 1 and 100 table of 9 is used to help students learn to multiply by 9 and to understand the patterns and

online 100 times tables mymathtables com - Feb 09 2023

web online 100 times tables my math times tables made easy for school children to use and practice series of math times tables from 1 to 100 using this tool students can take printable division 100 times tables multiplication 100 times tables addition and subtraction 100 times tables from this page please hit on print icon and pdf icon to print

4 times table up to 100 multiplication table - Jun 01 2022

web by using this table students can easily find the product of any two numbers between 1 and 100 table of 4 is used to help students learn to multiply by 4 and to understand the patterns and relationships between different multiples of 4 4 times table chart up to 5 10 12 15 20 25 30 40 50 75 100 150 200 other multiplication tables

3 times table up to 100 multiplication table - Aug 03 2022

web the 3 times table also known as the multiplication table for the number 3 is obtained by multiplying 3 by different integers by using this table students can easily find the product of any two numbers between 1 and 100 table of 3 is used to help students learn to multiply by 3 and to understand the patterns and relationships between