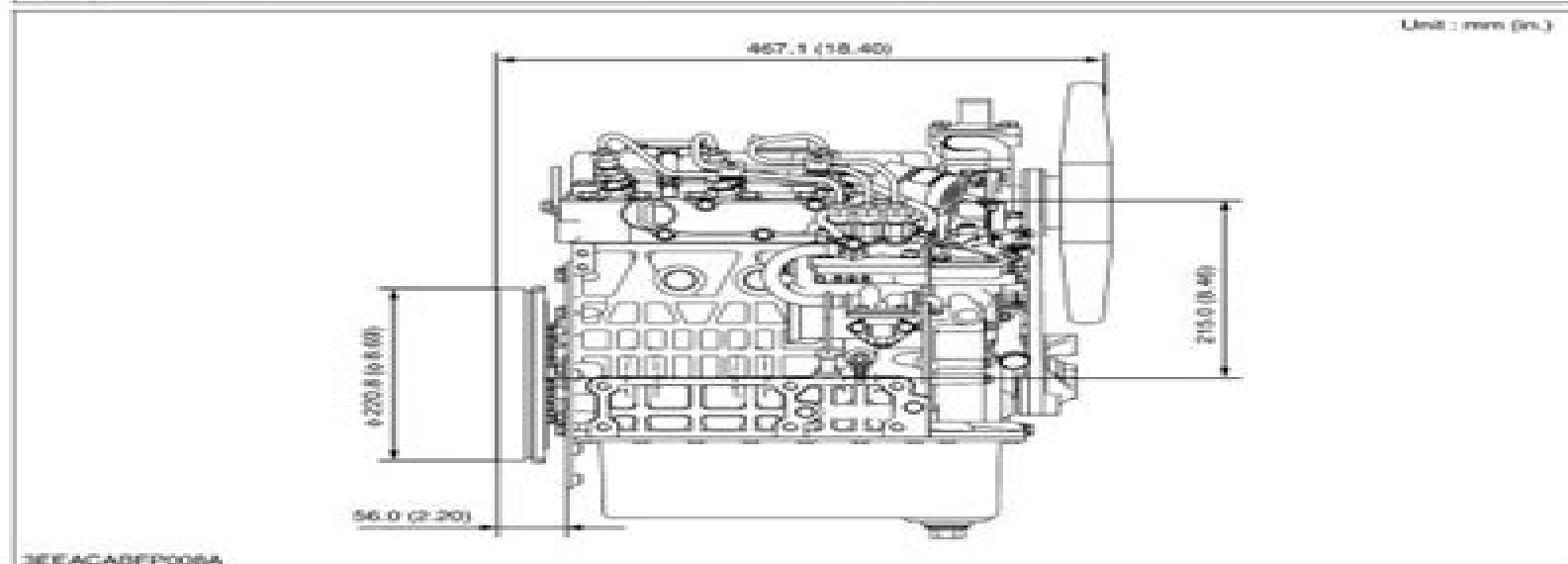
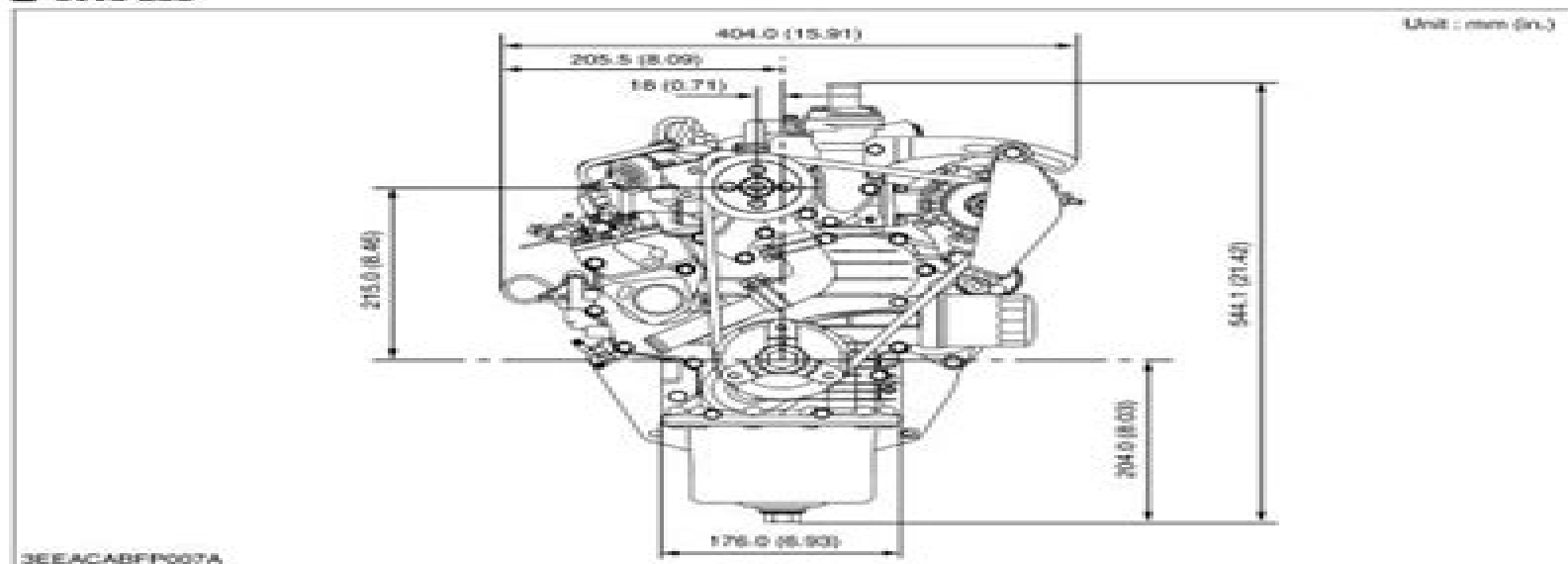


■ D902-E2B



Kubota Z482 Diesel Engine Repair Manual

Louis C. Forier



Kubota Z482 Diesel Engine Repair Manual:

Discover tales of courage and bravery in Crafted by is empowering ebook, Unleash Courage in **Kubota Z482 Diesel Engine Repair Manual** . In a downloadable PDF format (Download in PDF: *), this collection inspires and motivates. Download now to witness the indomitable spirit of those who dared to be brave.

http://www.armchairempire.com/book/detail/Download_PDFS/harcourt%20grade%203%20extra%20support%20answers.pdf

Table of Contents Kubota Z482 Diesel Engine Repair Manual

1. Understanding the eBook Kubota Z482 Diesel Engine Repair Manual
 - The Rise of Digital Reading Kubota Z482 Diesel Engine Repair Manual
 - Advantages of eBooks Over Traditional Books
2. Identifying Kubota Z482 Diesel Engine Repair Manual
 - Exploring Different Genres
 - Considering Fiction vs. Non-Fiction
 - Determining Your Reading Goals
3. Choosing the Right eBook Platform
 - Popular eBook Platforms
 - Features to Look for in an Kubota Z482 Diesel Engine Repair Manual
 - User-Friendly Interface
4. Exploring eBook Recommendations from Kubota Z482 Diesel Engine Repair Manual
 - Personalized Recommendations
 - Kubota Z482 Diesel Engine Repair Manual User Reviews and Ratings
 - Kubota Z482 Diesel Engine Repair Manual and Bestseller Lists
5. Accessing Kubota Z482 Diesel Engine Repair Manual Free and Paid eBooks
 - Kubota Z482 Diesel Engine Repair Manual Public Domain eBooks
 - Kubota Z482 Diesel Engine Repair Manual eBook Subscription Services
 - Kubota Z482 Diesel Engine Repair Manual Budget-Friendly Options
6. Navigating Kubota Z482 Diesel Engine Repair Manual eBook Formats

- ePub, PDF, MOBI, and More
 - Kubota Z482 Diesel Engine Repair Manual Compatibility with Devices
 - Kubota Z482 Diesel Engine Repair Manual Enhanced eBook Features
7. Enhancing Your Reading Experience
 - Adjustable Fonts and Text Sizes of Kubota Z482 Diesel Engine Repair Manual
 - Highlighting and Note-Taking Kubota Z482 Diesel Engine Repair Manual
 - Interactive Elements Kubota Z482 Diesel Engine Repair Manual
 8. Staying Engaged with Kubota Z482 Diesel Engine Repair Manual
 - Joining Online Reading Communities
 - Participating in Virtual Book Clubs
 - Following Authors and Publishers Kubota Z482 Diesel Engine Repair Manual
 9. Balancing eBooks and Physical Books Kubota Z482 Diesel Engine Repair Manual
 - Benefits of a Digital Library
 - Creating a Diverse Reading Collection Kubota Z482 Diesel Engine Repair Manual
 10. Overcoming Reading Challenges
 - Dealing with Digital Eye Strain
 - Minimizing Distractions
 - Managing Screen Time
 11. Cultivating a Reading Routine Kubota Z482 Diesel Engine Repair Manual
 - Setting Reading Goals Kubota Z482 Diesel Engine Repair Manual
 - Carving Out Dedicated Reading Time
 12. Sourcing Reliable Information of Kubota Z482 Diesel Engine Repair Manual
 - Fact-Checking eBook Content of Kubota Z482 Diesel Engine Repair Manual
 - Distinguishing Credible Sources
 13. Promoting Lifelong Learning
 - Utilizing eBooks for Skill Development
 - Exploring Educational eBooks
 14. Embracing eBook Trends
 - Integration of Multimedia Elements
 - Interactive and Gamified eBooks

Kubota Z482 Diesel Engine Repair Manual Introduction

Kubota Z482 Diesel Engine Repair Manual Offers over 60,000 free eBooks, including many classics that are in the public domain. Open Library: Provides access to over 1 million free eBooks, including classic literature and contemporary works. Kubota Z482 Diesel Engine Repair Manual Offers a vast collection of books, some of which are available for free as PDF downloads, particularly older books in the public domain. Kubota Z482 Diesel Engine Repair Manual : This website hosts a vast collection of scientific articles, books, and textbooks. While it operates in a legal gray area due to copyright issues, its a popular resource for finding various publications. Internet Archive for Kubota Z482 Diesel Engine Repair Manual : Has an extensive collection of digital content, including books, articles, videos, and more. It has a massive library of free downloadable books. Free-eBooks Kubota Z482 Diesel Engine Repair Manual Offers a diverse range of free eBooks across various genres. Kubota Z482 Diesel Engine Repair Manual Focuses mainly on educational books, textbooks, and business books. It offers free PDF downloads for educational purposes. Kubota Z482 Diesel Engine Repair Manual Provides a large selection of free eBooks in different genres, which are available for download in various formats, including PDF. Finding specific Kubota Z482 Diesel Engine Repair Manual, especially related to Kubota Z482 Diesel Engine Repair Manual, might be challenging as theyre often artistic creations rather than practical blueprints. However, you can explore the following steps to search for or create your own Online Searches: Look for websites, forums, or blogs dedicated to Kubota Z482 Diesel Engine Repair Manual, Sometimes enthusiasts share their designs or concepts in PDF format. Books and Magazines Some Kubota Z482 Diesel Engine Repair Manual books or magazines might include. Look for these in online stores or libraries. Remember that while Kubota Z482 Diesel Engine Repair Manual, sharing copyrighted material without permission is not legal. Always ensure youre either creating your own or obtaining them from legitimate sources that allow sharing and downloading. Library Check if your local library offers eBook lending services. Many libraries have digital catalogs where you can borrow Kubota Z482 Diesel Engine Repair Manual eBooks for free, including popular titles. Online Retailers: Websites like Amazon, Google Books, or Apple Books often sell eBooks. Sometimes, authors or publishers offer promotions or free periods for certain books. Authors Website Occasionally, authors provide excerpts or short stories for free on their websites. While this might not be the Kubota Z482 Diesel Engine Repair Manual full book , it can give you a taste of the authors writing style. Subscription Services Platforms like Kindle Unlimited or Scribd offer subscription-based access to a wide range of Kubota Z482 Diesel Engine Repair Manual eBooks, including some popular titles.

FAQs About Kubota Z482 Diesel Engine Repair Manual Books

How do I know which eBook platform is the best for me? Finding the best eBook platform depends on your reading

preferences and device compatibility. Research different platforms, read user reviews, and explore their features before making a choice. Are free eBooks of good quality? Yes, many reputable platforms offer high-quality free eBooks, including classics and public domain works. However, make sure to verify the source to ensure the eBook credibility. Can I read eBooks without an eReader? Absolutely! Most eBook platforms offer webbased readers or mobile apps that allow you to read eBooks on your computer, tablet, or smartphone. How do I avoid digital eye strain while reading eBooks? To prevent digital eye strain, take regular breaks, adjust the font size and background color, and ensure proper lighting while reading eBooks. What the advantage of interactive eBooks? Interactive eBooks incorporate multimedia elements, quizzes, and activities, enhancing the reader engagement and providing a more immersive learning experience. Kubota Z482 Diesel Engine Repair Manual is one of the best book in our library for free trial. We provide copy of Kubota Z482 Diesel Engine Repair Manual in digital format, so the resources that you find are reliable. There are also many Ebooks of related with Kubota Z482 Diesel Engine Repair Manual. Where to download Kubota Z482 Diesel Engine Repair Manual online for free? Are you looking for Kubota Z482 Diesel Engine Repair Manual PDF? This is definitely going to save you time and cash in something you should think about. If you trying to find then search around for online. Without a doubt there are numerous these available and many of them have the freedom. However without doubt you receive whatever you purchase. An alternate way to get ideas is always to check another Kubota Z482 Diesel Engine Repair Manual. This method for see exactly what may be included and adopt these ideas to your book. This site will almost certainly help you save time and effort, money and stress. If you are looking for free books then you really should consider finding to assist you try this. Several of Kubota Z482 Diesel Engine Repair Manual are for sale to free while some are payable. If you arent sure if the books you would like to download works with for usage along with your computer, it is possible to download free trials. The free guides make it easy for someone to free access online library for download books to your device. You can get free download on free trial for lots of books categories. Our library is the biggest of these that have literally hundreds of thousands of different products categories represented. You will also see that there are specific sites catered to different product types or categories, brands or niches related with Kubota Z482 Diesel Engine Repair Manual. So depending on what exactly you are searching, you will be able to choose e books to suit your own need. Need to access completely for Campbell Biology Seventh Edition book? Access Ebook without any digging. And by having access to our ebook online or by storing it on your computer, you have convenient answers with Kubota Z482 Diesel Engine Repair Manual To get started finding Kubota Z482 Diesel Engine Repair Manual, you are right to find our website which has a comprehensive collection of books online. Our library is the biggest of these that have literally hundreds of thousands of different products represented. You will also see that there are specific sites catered to different categories or niches related with Kubota Z482 Diesel Engine Repair Manual So depending on what exactly you are searching, you will be able to choose ebook to suit your own need. Thank you for reading Kubota Z482 Diesel

[gaun ki kahani bahen ki zubani tm s contest tafreeh mela](#) - Jul 05 2023

web sep 9 2012 main bohot pehle jab chota tha tab ek baar gaun gaya tha lekin meri bahen ka to aksar gaun jana hota hai main to chuttian yahin shahar me guzarta hun ya phir kahin ghumne dusre shahar chala jata hun jab ham dono ki wapsi wapas apne ghar hoti hai to ham dono ek dusre ko safar ke halaat tajrubaat sunate hain aur kya seekha kya dekha

chote bhai ne mari badhe bhai ko takkar shorts - Dec 30 2022

web chote bhai ne mari badhe bhai ko thar se takkar shorts shortsvideo youtubeshorts shortsfeeds short reelsviral reels viralreels reelsfyp r

chote bhai ne gand mari 2022 wrbb neu - Jul 25 2022

web chote bhai ne gand mari is available in our book collection an online access to it is set as public so you can get it instantly our digital library hosts in multiple countries allowing you to get the most less latency time to download any of our books like this one merely said the chote bhai ne gand mari is universally compatible with any

free download borrow and streaming - Dec 18 2021

web apr 6 2018 beti ne baap se chut chudai story scanner internet archive html5 uploader 1 6 3 plus circle add review comment reviews there are no reviews yet be the first one to write a review 432 041 views 1 favorite download options download 1 file

behan ne chhote bhai se choot chudwa kar maja diya hindi - Apr 02 2023

web feb 20 2018 topics behan ki chudai hindi sexy story audio sex stoires antarvasnamp3 incest didi ko choda hindisex

bahen ki chut

2 behny aur ek bhai ki kahani aarif patel aur vo facebook - May 03 2023

web august 8 2016 2 behny aur ek bhai ki kahani hello mera naam sunayana h or me haryana ki rahne wali hu ye story meri or mere bade bhai anil ki or ye sachi kahani h ab m aap ko apne or apne parivar ke bare me btati hu humari join family h jis me mere tau ji tayi ji or un ka beta anil or badi didi kavita rahte h or mere mere

bhai ne gaand mari xhamster - May 23 2022

web bhai ne gaand mari explore tons of xxx videos with sex scenes in 2023 on xhamster

hindi audio sex story kirayedar ladkon chut gand - Oct 28 2022

web feb 20 2018 hindi audio sex story kirayedar ladkon chut gand topics bhabhi ki chudai hindi sexy story audio sex stories antarvasnamp3 bhabi ko choda hindisex bhabhi ki chut kamukta

[chote bhai ne gand mari wrbb neu edu](#) - Jun 23 2022

web chote bhai ne gand mari 1 chote bhai ne gand mari if you ally obsession such a referred chote bhai ne gand mari ebook

[nimra baaji ki chudai part 2 begherat bhai nangi behen facebook](#) - Nov 28 2022

web begherat bhai nangi behen march 23 2021 nimra baaji ki chudai part 2 dosto meri pehli kahani ke 1st part pe ap sab ne bohot support kia to me 2nd part bhi le aya

[chote bhai ka gadhe jesse lund dekh meri choot ne pani choda pdf scribd](#) - Mar 01 2023

web chote bhai ka gadhe jesse lund dekh meri choot ne pani choda free ebook download as rtf pdf file pdf text file txt or read book online for free scribd is the world s largest social reading and publishing site

sasur ne bahu ko jabarjast choda by sameela ki jawani - Sep 07 2023

web jul 3 2021 sasur ne bahu ko jabarjast choda like comment

this site was shutdown sucksex com - Nov 16 2021

web this site was shutdown discover more indian porn sites or at 3sex com sexy tiktok instagram reels videos

[bhai ne meri gand mari book help environment harvard edu](#) - Aug 26 2022

web please report to us by using this dmca report form report dmca chote bhai ne gand mari roderickosorio s blog oct 28 2022 as this bhai ne meri gand mari it ends occurring being one of the favored books bhai ne meri gand mari collections that we have this is why you remain in the best website to see the unbelievable ebook

bs en iso 10684 2004 fasteners hot dip galvanized - Feb 15 2022

web jan 1 2004 bs en iso 10684 2004 current fasteners hot dip galvanized coatings available format s hardcopy pdf language s english published date 01 01 2004 publisher british standards institution table of contents abstract general product information international equivalent s relationship

[bsi bs en iso 10684 fasteners hot dip galvanized coatings](#) - Mar 19 2022

web jul 1 2004 bs en iso 10684 july 1 2004 fasteners hot dip galvanized coatings a description is not available for this item references this document is referenced by en 1993 1 3 eurocode 3 design of steel structures part 1 3 general rules supplementary rules for cold formed members and sheeting published by cen on october 1 2006

[iso 10684 2004 en fasteners hot dip galvanized coatings](#) - Jul 03 2023

web this international standard specifies material process dimensional and some performance requirements for hot dip spun galvanized coatings applied to coarse threaded steel fasteners from m8 up to and including m64 and for property classes up to and including 10 9 for bolts screws and studs and 12 for nuts

[bs en iso 10684 2004 techstreet](#) - Apr 19 2022

web nov 30 2009 bs en iso 10684 2004 fasteners hot dip galvanized coatings standard by british standard european standard international organization for standardization 11 30 2009 view all product details most recent track it

bsi bs en iso 10684 fasteners hot dip galvanized coatings - Feb 27 2023

web bs en iso 10684 may 31 2006 fasteners hot dip galvanized coatings a description is not available for this item references this document references bs en iso 898 2 mechanical properties of fasteners made of carbon steel and alloy steel part 2 nuts with specified property classes coarse thread and fine pitch thread

bs en iso 10684 2004 fasteners hot dip galvanized coatings - May 21 2022

web nov 30 2009 description bs en iso 10684 2004 this standard bs en iso 10684 2004 fasteners hot dip galvanized coatings is classified in these ics categories 21 060 01 fasteners in general 25 220 40 metallic coatings print recommend tweet bs en iso 10684 2004 fasteners hot dip galvanized coatings category 21 060 01

bs en iso 10684 2004 fasteners hot dip galvanized coatings - Nov 26 2022

web bs en iso 10684 2004 fasteners hot dip galvanized coatings incorporating corrigendum july 2008 publication year 2004 document status latest version of document abstract

iso 10684 2004 fasteners hot dip galvanized coatings - Oct 06 2023

web iso 10684 2004 specifies material process dimensional and some performance requirements for hot dip spun galvanized coatings applied to coarse threaded steel fasteners from m8 up to and including m64 and for property classes up to and including 10 9 for bolts screws and studs and 12 for nuts

bs en iso 10684 fasteners hot dip galvanized coatings - Dec 28 2022

web may 31 2006 fasteners hot dip galvanized coatings includes all amendments and changes through crgd november 30 2009 view abstract product details document history detail summary view all details active most current

guidance note protective treatment of fasteners no 8 steel - Aug 04 2023

web bs en iso 10684 and bs 7371 6 is the degree of over tapping to accommodate the zinc coating whichever standard is used the corresponding requirements for over tapping should be observed the minimum local thickness specified by these standards is 40 µm and 43 µm respectively tightening zinc coated preload bolts the tightening of zinc

bs en iso 10684 2004 sai global store - Jun 21 2022

web jan 1 2004 bs en iso 10684 2004 current add to watchlist fasteners hot dip galvanized coatings available format s hardcopy pdf language s english published date 01 01 2004 publisher british standards institution table of contents abstract general product information international equivalents equivalent standard

specification for the purchase of structural bolts and holding - Jan 29 2023

web galvanizing bs en iso 10684 zinc electroplating bs en iso 4042 sherardizing bs 7371 8 note attention is drawn to the risk of hydrogen embrittlement during electroplating or hot dip galvanizing of 10 9 bolts further guidance is given in

international iso standard 10684 pppars com - Sep 05 2023

web iso 898 1 mechanical properties of fasteners made of carbon steel and alloy steel part 1 bolts screws and studs iso 898 2

mechanical properties of fasteners part 2 nuts with specified proof load values coarse thread iso 965 1 iso general purpose metric screw threads tolerances part 1 principles and basic data

[bs en iso 10684 fasteners hot dip galvanized coatings](#) - Oct 26 2022

web [bs en iso 10684 fasteners hot dip galvanized coatings steels threaded fasteners fasteners metals hot dip galvanizing metal coatings nuts screws](#)

[en iso 10684 2004 ac 2009 sai global store](#) - Jul 23 2022

web aug 4 2009 current add to watchlist fasteners hot dip galvanized coatings iso 10684 2004 cor 1 2008 available format s language s published date 08 04 2009 publisher comite europeen de normalisation pure ens are not available for sale please purchase a suitable national adoption table of contents abstract general product

bs en iso 10684 2004 ansi webstore - Aug 24 2022

web iso 10684 2004 specifies material process dimensional and some performance requirements for hot dip spun galvanized coatings applied to coarse threaded steel fasteners from m8 up to and including m64 and for property classes up to and including 10 9 for bolts screws and studs and 12 for nuts

bs en iso 10684 fasteners hot dip galvanized coatings - Jun 02 2023

web may 31 2006 bs en iso 10684 is maintained by fme 9 the current release of this standard is bs en iso 10684 2004 fasteners hot dip galvanized coatings doi org 10 3403 30083371 published 31 05 2006 this standard is available from the following sources british standards shop shop british standards online bsol

bs en iso 10684 2004 fasteners hot dip galvanized coatings - May 01 2023

web iso 10684 2004 specifies material process dimensional and some performance requirements for hot dip spun galvanized coatings applied to coarse threaded steel fasteners from m8 up to and including m64 and for property classes up to and including 10 9 for bolts screws and studs and 12 for nuts

[bs en iso 10684 2004 fasteners hot dip galvanized coatings](#) - Mar 31 2023

web may 31 2006 bs en iso 10684 2004 fasteners hot dip galvanized coatings doi org 10 3403 30083371 published 31 05 2006 bs en iso 10684 2004 is maintained by fme 9 this standard is available from the following sources british standards shop shop british standards online bsol

fasteners hot dip galvanized coatings iso 10684 - Sep 24 2022

web en iso 10684 2004 ac april 2009 avril 2009 april 2009 ics 21 060 01 25 220 40 english version version française deutsche fassung fasteners hot dip galvanized coatings iso 10684 2004 cor 1 2008 Éléments de fixation revêtements de galvanisation à chaud iso 10684 2004 cor 1 2008 verbindungelemente feuerverzinkung iso 10684 2004

the worship pastor a call to ministry for worship leaders and - Sep 03 2022

web the worship pastor a call to ministry for worship leaders and teams english edition ebook hicks zac m amazon com mx tienda kindle

the worship pastor a call to ministry for worship leaders and - Sep 15 2023

web oct 11 2016 modern worship leaders are restless they have inherited a model of leadership that equates leading worship with being a rock star but leading worship is more than a performance it s about shaping souls and making disciples every worship leader is really a pastor

16 call to worship scriptures how to use them logos bible - Aug 02 2022

web while a pastor or worship leader may issue the call to worship it s actually a call from god to his people as michael goheen says in his course on pastoral ministry he continues it s not something they have decided to do because it is a good idea it s because god has called them to assemble and to worship

10 15 2023 worship 10 15 2023 worship by midway umc me - Feb 25 2022

web 10 15 2023 worship let us sing it sounds like the sweet how i love the savior s mom loving heart and feel my deepest jesus and now would our young disciples come down please

the worship pastor a call to ministry for worship leaders and - Mar 09 2023

web the worship pastor a call to ministry for worship leaders and teams audiobook written by zac m hicks narrated by zac hicks get instant access to all your favorite books no monthly commitment listen online or offline with android ios web chromecast and google assistant try google play audiobooks today

the worship pastor a call to ministry for worship leaders and teams - Jun 12 2023

web buy the worship pastor a call to ministry for worship leaders and teams by hicks zac isbn 9780310525196 from amazon s book store everyday low prices and free delivery on eligible orders

call to prayer istanbul turkey youtube - Apr 29 2022

web aug 8 2010 call to prayer at the blue mosque and hagia sophia in istanbul turkey beautiful ambient noise to the untrained ear look for more outdoor and travel photos

calls to worship on song the pastor s workshop - May 31 2022

web let us worship god together submitted by austin d hill wonderful counselor open our ears so we may hear your song god is with us god is near mighty god open our eyes so we may see you at work for goodness truth and

the worship pastor a call to ministry for worship leaders and - Jul 13 2023

web oct 11 2016 it shows the worship pastor as church lover disciple maker corporate mystic and doxological philosopher part two covers specific roles related to ministry within the worship service

the worship pastor a call to ministry for worship leaders - Feb 08 2023

web the worship pastor presents a series of evocative vignettes intriguing and descriptive titles and metaphors of who a worship pastor is and what he or she does chapter 1 the worship pastor as church lover

the worship pastor a call to ministry for worship leaders and - Aug 14 2023

web divided into three parts hicks addresses who a worship pastor is what roles the worship pastor fillw withint the worship service and the ministry reach beyond the worship service the worship pastor a call to ministry for worship leaders and teams 9780310525196 by zac m hicks

experience istanbul s call to prayer at the blue mosque - Mar 29 2022

web five times a day throughout the streets of istanbul you can hear the trilling call to prayer also known as ezan during this time the voice of the bellowing muezzin the man who calls the muslims to prayer from a m inaret can be heard over the loudspeakers at different mosques in the city the first time i heard the chaos of tonal reverberations in istanbul

the worship pastor a call to ministry for worship leaders and - Apr 10 2023

web may 17 2017 the worship pastor a call to ministry for worship leaders and teams paperback 17 may 2017 by zac m hicks author 201 ratings see all formats and editions kindle 9 99 read with our free app audiobook 0 00 free with your audible trial paperback from 22 07 1 used from 22 07 12 new from 29 99 modern worship

the worship pastor a call to ministry for worship leaders and - Jan 27 2022

web oct 11 2016 the worship pastor a call to ministry for worship leaders and teams kindle edition by hicks zac m download it once and read it on your kindle device pc phones or tablets use features like bookmarks note taking and highlighting while reading the worship pastor a call to ministry for worship leaders and teams

a call to worship leaders the gospel coalition - Dec 06 2022

web jan 6 2017 the worship pastor a call to ministry for worship leaders and teams is a collection of 17 meditations on different aspects of a worship leader s vocation while recognizing that worship is a whole life expression of devotion to god hicks focuses his attention on the corporate gathering of the local church

the worship pastor a call to ministry for worship leaders and teams - Oct 04 2022

web the worship pastor is a practical and biblical introduction to this essential pastoral role filled with engaging illustrative stories it is organized to address questions of theory and practice striving to balance conversational accessibility with informed instruction

the worship pastor a call to ministry for worship leaders and - Jan 07 2023

web oct 11 2016 overview modern worship leaders are restless they have inherited a model of leadership that equates leading worship with being a rock star but leading worship is more than a performance it s about shaping souls and making disciples every worship leader is really a pastor

the worship pastor a call to ministry for worship leaders and - Nov 05 2022

web the worship pastor a call to ministry for worship leaders and teams audible audiobook unabridged zac m hicks author narrator zondervan publisher 4 8 218 ratings see all formats and editions kindle edition 9 99 read with our free app audiobook 1 00 with audible membership modern worship leaders are restless

the worship pastor a call to ministry for worship leaders and - May 11 2023

web it shows the worship pastor as church lover disciple maker corporate mystic and doxological philosopher part two covers specific roles related to ministry within the worship service itself the worship pastor as theological dietician caregiver mortician emotional shepherd war general prophetic guardian missional historian and

call to worship liturgy music preaching and the arts - Jul 01 2022

web call to worship liturgy music preaching and the arts offers insight and inspiration for pastors church musicians artists and other worship leaders this quarterly journal is published by the office of theology and worship of the presbyterian church u s a