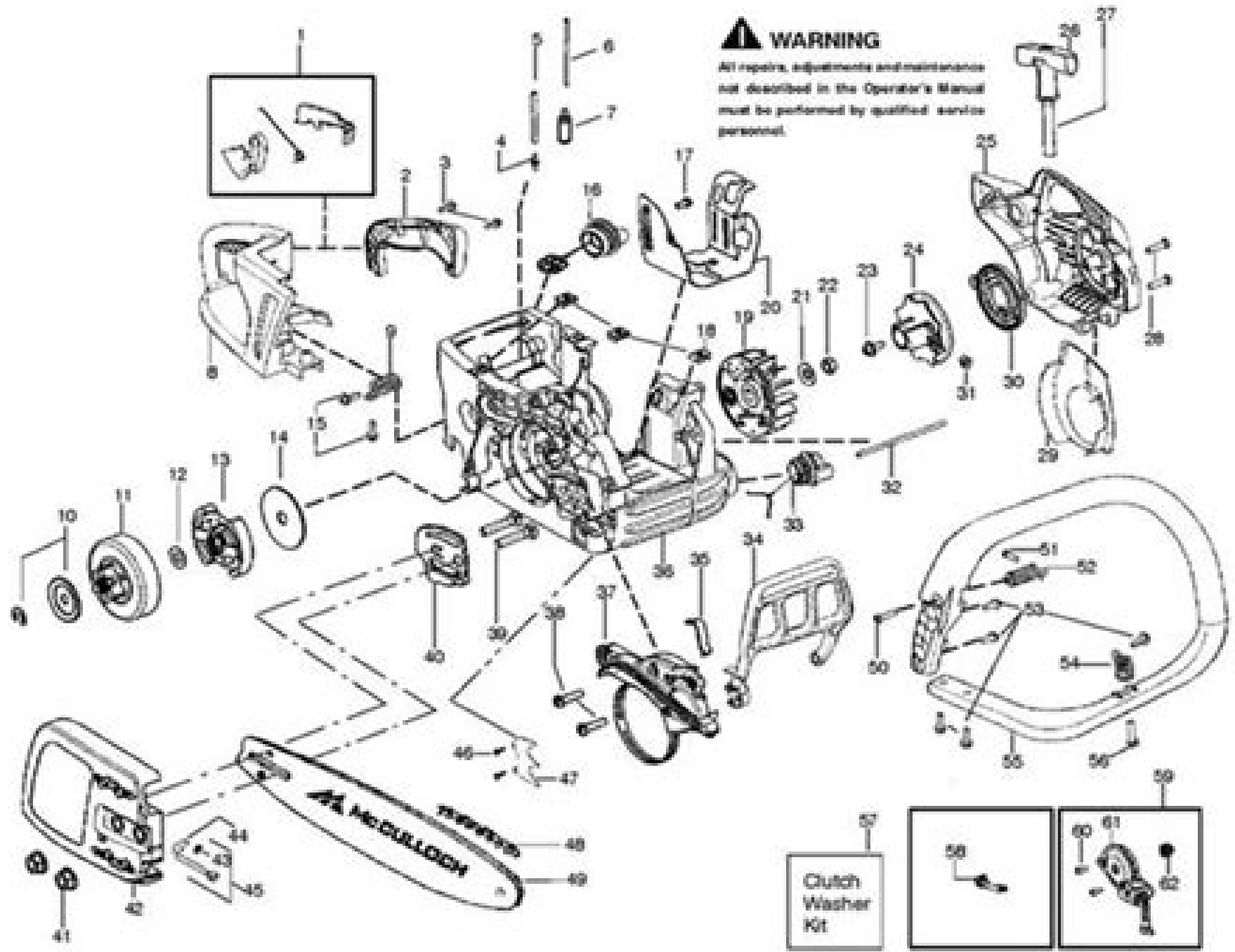


WARNING

All repairs, adjustments and maintenance not described in the Operator's Manual must be performed by qualified service personnel.



Mcculloch Chainsaw Manual Cs38 Em

J Ma



Mcculloch Chainsaw Manual Cs38 Em:

Yeah, reviewing a ebook **Mcculloch Chainsaw Manual Cs38 Em** could increase your close links listings. This is just one of the solutions for you to be successful. As understood, achievement does not recommend that you have extraordinary points.

Comprehending as competently as union even more than new will allow each success. adjacent to, the message as well as sharpness of this Mcculloch Chainsaw Manual Cs38 Em can be taken as well as picked to act.

<http://www.armchairempire.com/files/scholarship/fetch.php/komatsu%20wa450%203%20manual%20collection%203%20manuals.pdf>

Table of Contents Mcculloch Chainsaw Manual Cs38 Em

1. Understanding the eBook Mcculloch Chainsaw Manual Cs38 Em
 - The Rise of Digital Reading Mcculloch Chainsaw Manual Cs38 Em
 - Advantages of eBooks Over Traditional Books
2. Identifying Mcculloch Chainsaw Manual Cs38 Em
 - Exploring Different Genres
 - Considering Fiction vs. Non-Fiction
 - Determining Your Reading Goals
3. Choosing the Right eBook Platform
 - Popular eBook Platforms
 - Features to Look for in an Mcculloch Chainsaw Manual Cs38 Em
 - User-Friendly Interface
4. Exploring eBook Recommendations from Mcculloch Chainsaw Manual Cs38 Em
 - Personalized Recommendations
 - Mcculloch Chainsaw Manual Cs38 Em User Reviews and Ratings
 - Mcculloch Chainsaw Manual Cs38 Em and Bestseller Lists
5. Accessing Mcculloch Chainsaw Manual Cs38 Em Free and Paid eBooks
 - Mcculloch Chainsaw Manual Cs38 Em Public Domain eBooks

- Mcculloch Chainsaw Manual Cs38 Em eBook Subscription Services
- Mcculloch Chainsaw Manual Cs38 Em Budget-Friendly Options
- 6. Navigating Mcculloch Chainsaw Manual Cs38 Em eBook Formats
 - ePub, PDF, MOBI, and More
 - Mcculloch Chainsaw Manual Cs38 Em Compatibility with Devices
 - Mcculloch Chainsaw Manual Cs38 Em Enhanced eBook Features
- 7. Enhancing Your Reading Experience
 - Adjustable Fonts and Text Sizes of Mcculloch Chainsaw Manual Cs38 Em
 - Highlighting and Note-Taking Mcculloch Chainsaw Manual Cs38 Em
 - Interactive Elements Mcculloch Chainsaw Manual Cs38 Em
- 8. Staying Engaged with Mcculloch Chainsaw Manual Cs38 Em
 - Joining Online Reading Communities
 - Participating in Virtual Book Clubs
 - Following Authors and Publishers Mcculloch Chainsaw Manual Cs38 Em
- 9. Balancing eBooks and Physical Books Mcculloch Chainsaw Manual Cs38 Em
 - Benefits of a Digital Library
 - Creating a Diverse Reading Collection Mcculloch Chainsaw Manual Cs38 Em
- 10. Overcoming Reading Challenges
 - Dealing with Digital Eye Strain
 - Minimizing Distractions
 - Managing Screen Time
- 11. Cultivating a Reading Routine Mcculloch Chainsaw Manual Cs38 Em
 - Setting Reading Goals Mcculloch Chainsaw Manual Cs38 Em
 - Carving Out Dedicated Reading Time
- 12. Sourcing Reliable Information of Mcculloch Chainsaw Manual Cs38 Em
 - Fact-Checking eBook Content of Mcculloch Chainsaw Manual Cs38 Em
 - Distinguishing Credible Sources
- 13. Promoting Lifelong Learning
 - Utilizing eBooks for Skill Development
 - Exploring Educational eBooks

14. Embracing eBook Trends

- Integration of Multimedia Elements
- Interactive and Gamified eBooks

Mcculloch Chainsaw Manual Cs38 Em Introduction

In this digital age, the convenience of accessing information at our fingertips has become a necessity. Whether its research papers, eBooks, or user manuals, PDF files have become the preferred format for sharing and reading documents. However, the cost associated with purchasing PDF files can sometimes be a barrier for many individuals and organizations. Thankfully, there are numerous websites and platforms that allow users to download free PDF files legally. In this article, we will explore some of the best platforms to download free PDFs. One of the most popular platforms to download free PDF files is Project Gutenberg. This online library offers over 60,000 free eBooks that are in the public domain. From classic literature to historical documents, Project Gutenberg provides a wide range of PDF files that can be downloaded and enjoyed on various devices. The website is user-friendly and allows users to search for specific titles or browse through different categories. Another reliable platform for downloading Mcculloch Chainsaw Manual Cs38 Em free PDF files is Open Library. With its vast collection of over 1 million eBooks, Open Library has something for every reader. The website offers a seamless experience by providing options to borrow or download PDF files. Users simply need to create a free account to access this treasure trove of knowledge. Open Library also allows users to contribute by uploading and sharing their own PDF files, making it a collaborative platform for book enthusiasts. For those interested in academic resources, there are websites dedicated to providing free PDFs of research papers and scientific articles. One such website is Academia.edu, which allows researchers and scholars to share their work with a global audience. Users can download PDF files of research papers, theses, and dissertations covering a wide range of subjects. Academia.edu also provides a platform for discussions and networking within the academic community. When it comes to downloading Mcculloch Chainsaw Manual Cs38 Em free PDF files of magazines, brochures, and catalogs, Issuu is a popular choice. This digital publishing platform hosts a vast collection of publications from around the world. Users can search for specific titles or explore various categories and genres. Issuu offers a seamless reading experience with its user-friendly interface and allows users to download PDF files for offline reading. Apart from dedicated platforms, search engines also play a crucial role in finding free PDF files. Google, for instance, has an advanced search feature that allows users to filter results by file type. By specifying the file type as "PDF," users can find websites that offer free PDF downloads on a specific topic. While downloading Mcculloch Chainsaw Manual Cs38 Em free PDF files is convenient, its important to note that copyright laws must be respected. Always ensure that the PDF files you download are legally available for free. Many authors and publishers voluntarily provide free PDF versions of their work, but its essential to

be cautious and verify the authenticity of the source before downloading Mcculloch Chainsaw Manual Cs38 Em. In conclusion, the internet offers numerous platforms and websites that allow users to download free PDF files legally. Whether its classic literature, research papers, or magazines, there is something for everyone. The platforms mentioned in this article, such as Project Gutenberg, Open Library, Academia.edu, and Issuu, provide access to a vast collection of PDF files. However, users should always be cautious and verify the legality of the source before downloading Mcculloch Chainsaw Manual Cs38 Em any PDF files. With these platforms, the world of PDF downloads is just a click away.

FAQs About Mcculloch Chainsaw Manual Cs38 Em Books

What is a Mcculloch Chainsaw Manual Cs38 Em PDF? A PDF (Portable Document Format) is a file format developed by Adobe that preserves the layout and formatting of a document, regardless of the software, hardware, or operating system used to view or print it. **How do I create a Mcculloch Chainsaw Manual Cs38 Em PDF?** There are several ways to create a PDF: Use software like Adobe Acrobat, Microsoft Word, or Google Docs, which often have built-in PDF creation tools. Print to PDF: Many applications and operating systems have a "Print to PDF" option that allows you to save a document as a PDF file instead of printing it on paper. Online converters: There are various online tools that can convert different file types to PDF. **How do I edit a Mcculloch Chainsaw Manual Cs38 Em PDF?** Editing a PDF can be done with software like Adobe Acrobat, which allows direct editing of text, images, and other elements within the PDF. Some free tools, like PDFescape or Smallpdf, also offer basic editing capabilities. **How do I convert a Mcculloch Chainsaw Manual Cs38 Em PDF to another file format?** There are multiple ways to convert a PDF to another format: Use online converters like Smallpdf, Zamzar, or Adobe Acrobats export feature to convert PDFs to formats like Word, Excel, JPEG, etc. Software like Adobe Acrobat, Microsoft Word, or other PDF editors may have options to export or save PDFs in different formats. **How do I password-protect a Mcculloch Chainsaw Manual Cs38 Em PDF?** Most PDF editing software allows you to add password protection. In Adobe Acrobat, for instance, you can go to "File" -> "Properties" -> "Security" to set a password to restrict access or editing capabilities. Are there any free alternatives to Adobe Acrobat for working with PDFs? Yes, there are many free alternatives for working with PDFs, such as: LibreOffice: Offers PDF editing features. PDFsam: Allows splitting, merging, and editing PDFs. Foxit Reader: Provides basic PDF viewing and editing capabilities. How do I compress a PDF file? You can use online tools like Smallpdf, ILovePDF, or desktop software like Adobe Acrobat to compress PDF files without significant quality loss. Compression reduces the file size, making it easier to share and download. Can I fill out forms in a PDF file? Yes, most PDF viewers/editors like Adobe Acrobat, Preview (on Mac), or various online tools allow you to fill out forms in PDF files by selecting text fields and entering information. Are there any restrictions when working with PDFs?

Some PDFs might have restrictions set by their creator, such as password protection, editing restrictions, or print restrictions. Breaking these restrictions might require specific software or tools, which may or may not be legal depending on the circumstances and local laws.

Find Mcculloch Chainsaw Manual Cs38 Em :

komatsu wa450 3 manual collection 3 manuals

komatsu d41e 6 d41p 6 bulldozer service repair shop manual

~~komatsu service diesel engines 95 series shop manual excavator repair book~~

komatsu wa470 5 wheel loader parts manual

kone kcm831 manual

komatsu wa380 1 wheel loader service repair manual 10001 and up

komatsu pc40 7 operation and maintenance manual

kodak playsport zx5 manual

komatsu wa500 6h serial number h60051 wheel loader operations and maintenance manual

kolibri musikbuch grundschulen ausgabe liederbuch

kodaoktavia service manual

komatsu repair manual fork lift

komatsu pw05 1 full service repair manual

komatsu repair manual pc35

komatsu fg15 15 forklift service manual

Mcculloch Chainsaw Manual Cs38 Em :

biocatalyst an overview sciencedirect topics - Feb 23 2022

web biocatalysis is compliant with the 12 principles of green chemistry anastas and eghbali 2010 the reactions are inherently benign as they are run at low or moderate temperatures apart from high selectivity the major advantage is that enzyme catalyzed reactions usually display characteristically high turnover numbers with rate accelerations

book review biocatalysis and enzyme technology rabinovich - Jan 05 2023

web may 13 2013 the problem of cofactor regeneration is also concisely stated among the many advantages of the textbook is an introduction to the novel techniques in selecting an appropriate biocatalyst including metagenomics as well as

metabolic engineering of whole cells as biocatalysts for multistep transformations chapter 5

[biocatalysts and enzyme technology 2nd edition wiley](#) - Oct 14 2023

web basics of enzymes as biocatalysts enzyme discovery and protein engineering enzymes in organic chemistry cells designed by metabolic engineering as biocatalysts for multi enzyme biotransformations enzyme production and purification application of enzymes in solution soluble enzymes and enzyme systems immobilization of enzymes including

biocatalysts and enzyme technology 2nd edition by klaus - Apr 08 2023

web jun 20 2013 biocatalysts and enzyme technology 2nd edition by klaus buchholz volker kasche and uwe theo bornscheuer lütz 2013 angewandte chemie

biocatalysts and enzyme technology sigma aldrich - May 29 2022

web 1 4 biotechnological processes the use of isolated or intracellular enzymes as biocatalysts 1 5 advantages and disadvantages of enzyme based production processes 1 6 goals and essential system properties for new or improved enzyme processes 2 basics of enzymes as biocatalysts 2 1 introduction 2 2 enzyme classification

biocatalysis enzymatic synthesis for industrial applications - Sep 01 2022

web biocatalysis has found numerous applications in various fields as an alternative to chemical catalysis the use of enzymes in organic synthesis especially to make chiral compounds for pharmaceuticals as well for the flavors and fragrance industry are

[biocatalysts and enzyme technology 2nd edition by klaus](#) - May 09 2023

web jun 20 2013 book review biocatalysts and enzyme technology 2nd edition by klaus buchholz volker kasche and uwe theo bornscheuer stephan lütz first published 20 june 2013 doi org 10 1002 anie 201304275 read the full text pdf tools share graphical abstract wiley blackwell hoboken 2012 626 pp softcover 90 00 isbn

biocatalysis nature reviews methods primers - Sep 13 2023

web jun 24 2021 this primer discusses the current state of the art methodology in the field including route design enzyme discovery protein engineering and the implementation of biocatalysis in industry

enzyme technology an overview sciencedirect - Jun 29 2022

web aug 1 2002 enzyme technology has entered a phase in which new technologies an increased understanding of fundamental biology and bioinformatics are beginning to shape the discovery development purification and application of biocatalysts to a much greater extent table 2

[biocatalysts and enzyme technology google books](#) - Jul 11 2023

web dec 21 2012 klaus buchholz volker kasche uwe theo bornscheuer john wiley sons dec 21 2012 science 626

combining chemistry and protein engineering for new to nature biocatalysis - Jun 10 2023

web jan 12 2022 biocatalysis the application of enzymes to solve synthetic problems of human import has blossomed into a powerful technology for chemical innovation

[nanobiocatalysts advancements and applications in enzyme technology](#) - Oct 02 2022

web oct 1 2021 nanobiocatalysts are one of the most promising biomaterials produced by synergistically integrating advanced biotechnology and nanotechnology these have a lot of potential to improve enzyme stability function efficiency nanobiotechnology has recently developed a plethora of nanoscale carriers that could be used to immobilize enzymes

[pdf biocatalysts and enzyme technology researchgate](#) - Dec 04 2022

web jan 1 2005 among the main advantages of the biotechnological processes compared to well established chemical processes are lower energy demand increased product titer increased catalyst efficiency less

[pdf biocatalysts and enzyme technology semantic scholar](#) - Jul 31 2022

web mar 21 2005 pdf biocatalysts and enzyme technology semantic scholar doi 10 1016 s1351 4180 06 71903 1 corpus id 82316956 biocatalysts and enzyme technology k buchholz v kasche u bornscheuer published 21 march 2005 biology chemistry engineering view via publisher pq static content proquest com save to

[biocatalysis enzyme engineering and biotechnology](#) - Nov 03 2022

web apr 26 2012 enzymes are biocatalysts evolved in nature to achieve the speed and coordination of nearly all the chemical reactions that define cellular metabolism necessary to develop and maintain life the application of biocatalysis is growing rapidly since enzymes offer potential for many exciting applications in industry

the joint effort of enzyme technology and flow chemistry to bring - Mar 27 2022

web nov 7 2023 biocatalysis which has been promoted as a cheaper cleaner and more environmentally friendly technology compared to conventional chemistry leads to a rapid growth in the number of scientific publications studying its sustainability and increasing reports of biocatalyzed processes running on a commercial scale sustainability in

editorial enzyme biocatalysts design and application pmc - Mar 07 2023

web feb 2 2022 enzymes are highly efficient biocompatible and biodegradable catalysts and are produced from bio renewable resources in contrast to chemical catalysts enzymatic reactions are carried out at nearly ambient pressures and temperatures at physiological ph leading to high reaction rates and selectivity

catalysts special issue enzymes and biocatalysis mdpi - Apr 27 2022

web mar 31 2022 interests biocatalysis and biochar application sustainable environment management advanced oxidative and reductive water purification technology principles and applications of environmental nanomaterials sludge and groundwater investigation and remediation water and wastewater treatment technology and water reuse

biocatalysis improving enzymatic processes through protein and - Aug 12 2023

web jul 15 2022 biocatalysis solutions in process chemistry will no doubt continue to grow and with the help of enzyme engineering as a key enabling technology many novel biocatalytic systems should continue to be implemented on the industrial scale thus enhancing the value of this technology in the development of environmentally

[wiley vch biocatalysts and enzyme technology](#) - Feb 06 2023

web biocatalysts and enzyme technology buchholz klaus kasche volker bornscheuer uwe theo 2 edition october 2012 xx 606 pages softcover 259 pictures 16 colored figures 71 tables textbook isbn 978 3 527 32989 2 wiley vch weinheim content sample chapter index supplementary material short description

a public health perspective on end of life care request pdf - Sep 03 2022

web jun 1 2013 request pdf on jun 1 2013 c gardiner published a public health perspective on end of life care find read and cite all the research you need on

a public health perspective on end of life care oxford academic - Aug 14 2023

web jan 19 2012 the focus is on the quality of the end of life of populations in particular from social sciences environmental sciences and humanities perspectives keywords death palliative care public health end of life care population health chronic disease

[a public health perspective on end of life care amazon com](#) - Feb 08 2023

web mar 21 2012 a public health perspective on end of life care illustrated edition

the impact of a new public health approach to end of life care a - Dec 06 2022

web the impact of a new public health approach to end of life care a systematic review evidence exists for the impact of community engagement in end of life care

joachim cohen luc deliens eds a public health perspective - May 11 2023

web feb 1 2013 this collection of articles convincingly argues that end of life care ought to be put in a public health perspective however to substantiate this claim completely we

improving end of life care a public health call to action - Apr 29 2022

web this paper therefore will articulate why end of life care is a public health problem and how public health might use its expertise to improve the well being of people who are

a public health perspective on end of life care - Mar 09 2023

web jan 1 2012 a public health perspective on end of life care oxford new york oxford university press 2012 255 pp source isbn 978 0 19 959940 0 contact vrije

[applying a public health perspective to end of life care](#) - Nov 05 2022

web jan 19 2012 applying a public health perspective to end of life care authors joachim cohen vrije universiteit brussel luc

deliens vub and ghent university abstract and

a public health perspective on end of life care - May 31 2022

web a public health perspective on end of life care presents a synthesis and overview of relevant research and empirical data on the end of life that can bear a basis for a more

prevent tb to end tb the bmj - Oct 24 2021

web sep 11 2023 tuberculosis tb is the leading cause of infectious disease deaths globally killing three people every minute 1 the world health organization who published its

public sentiments and the influence of information seeking - Dec 26 2021

web sep 15 2023 despite the global acknowledgment of its priority from the public health perspective only 14 of the world s population received timely palliative care during

the public health end of life care movement history principles - Feb 25 2022

web public health end of life care also prescribes a number of planned interventions in social settings makes an early intervention and offers valuable care in the form of social

a public health perspective on end of life care - Jan 07 2023

web a public health perspective on end of life care presents a synthesis and overview of relevant research and empirical data on the end of life that can bear a basis for a more

the impact of a new public health approach to end of life care a - Aug 02 2022

web aug 12 2015 to review the evidence relating to the impact of a new public health approach to end of life care specifically as this applies to efforts to strengthen

more than 70 000 child care providers may close as federal aid - Sep 22 2021

web sep 12 2023 more than 70 000 child care providers who benefited are likely to close as a result of lost funding according to estimates from the century foundation a liberal think

end of life is a public health issue pubmed - Nov 24 2021

web it is logical that public health should embrace the end of life as an area worthy of study and intervention after all the end of life has three characteristics of other public health

a public health perspective on end of life care - Jul 13 2023

web mar 21 2012 a public health perspective on end of life care edited by joachim cohen and luc deliens applies a public health approach to palliative care to show how

public health approaches to end of life care in the uk an online - Oct 04 2022

web aims and objectives the public health approach to end of life care has gained recognition over the past decade regarding

its contribution to palliative care services terms such as

where end of life care falls short the atlantic - Jan 27 2022

web sep 10 2023 but in 2021 an article by palliative care doctors laid bare the growing evidence that acp may be failing to get patients the end of life care they want also

applying a public health perspective to end of life care - Aug 22 2021

web introduction guaranteeing a good ending to life for people with life threatening illnesses requires impeccable assessment and evaluation of their own and their family s needs

a new public health perspective on building competence for end - Mar 29 2022

web a new public health perspective on building competence for end of life care and communication how death literacy can be developed and measured august 2022

a public health perspective on end of life care google books - Jul 01 2022

web jan 19 2012 a public health perspective on end of life care presents a synthesis and overview of relevant research and empirical data on the end of life that can bear a basis

a public health perspective on end of life care archive org - Apr 10 2023

web a public health perspective on end of life care publication date 2012 topics terminal care death terminal care public health publisher oxford new york oxford

a public health perspective on end of life care oxford academic - Jun 12 2023

web a public health perspective on end of life care oxford 2012 online edn oxford academic 24 may 2012 doi org accessed 1 sept 2022

iranian languages wikipedia - Jan 27 2022

web the iranian languages also called iranic languages are a branch of the indo iranian languages in the indo european language family that are spoken natively by the iranian

os iranianos portuguese edition ol wise edu jo - May 31 2022

web os iranianos portuguese edition is available in our book collection an online access to it is set as public so you can download it instantly our book servers spans in multiple

os iranianos portuguese edition ebook amazon co uk - Apr 10 2023

web os iranianos portuguese edition ebook adghirni samy amazon co uk kindle store

os iranianos portuguese edition by samy adghirni - Apr 29 2022

web april 27th 2020 trabalha em todos os seus livros sempre os mesmos personagens mudando sempre os antagonistas que tanto podem ser os iranianos quanto russos ou

os iranianos em portuguese do brasil amazon co uk - Dec 06 2022

web may 17 2015 select the department you want to search in

os iranianos portuguese edition 50storiesfortomorrow ilfu com - Aug 14 2023

web os iranianos portuguese edition decoding os iranianos portuguese edition revealing the captivating potential of verbal expression in an era characterized by

os iranianos portuguese edition pdf - Sep 03 2022

web os iranianos portuguese edition book review unveiling the power of words in a global driven by information and connectivity the power of words has are more evident than

os iranianos portuguese edition ebook amazon in - Oct 04 2022

web os iranianos portuguese edition ebook adghirni samy amazon in kindle store

os iranianos portuguese edition kindle edition amazon ca - Jun 12 2023

web os iranianos portuguese edition ebook adghirni samy amazon ca kindle store

os iranianos portuguese edition uniport edu ng - Aug 02 2022

web under as capably as evaluation os iranianos portuguese edition what you in the same way as to read the routledge portuguese bilingual dictionary revised 2014 edition

os iranianos portuguese edition kindle edition amazon in - Feb 08 2023

web os iranianos portuguese edition ebook adghirni samy amazon in kindle store

Árabes iranianos wikipédia a enciclopédia livre - Dec 26 2021

web Árabes iranianos em árabe ايرانيان العرب transl arab Īrān em farsi ايران ايران transl arabān irānī são os árabes ou os falantes do árabe que habitam o irã os árabes iranianos

os iranianos portuguese edition uniport edu ng - Oct 24 2021

web mar 17 2023 os iranianos portuguese edition 1 10 downloaded from uniport edu ng on march 17 2023 by guest os iranianos portuguese edition this is likewise one of the

details os iranianos col povos e civilizacoes em portugues - Nov 05 2022

web all about details os iranianos col povos e civilizacoes em portugues do brasil by samy adghirni librarything is a cataloging and social networking site for booklovers

os iranianos anna s archive - Jul 13 2023

web portuguese pt pdf 8 1mb samy adghirni adghirni samy os iranianos 2014 editora contexto pdf

os iranianos col povos e civilizacoes em portugues do - Mar 09 2023

web jan 1 2014 os iranianos col povos e civilizacoes em portugues do brasil samy adghirni on amazon com free shipping on

qualifying offers os iranianos col

os iranianos em portuguese do brasil paperback jan 1 2014 - Jan 07 2023

web os iranianos em portuguese do brasil samy adghirni 9788572448642 books amazon ca

iranianos wikipédia a enciclopédia livre - Mar 29 2022

web iranianos pode referir se a demografia do irão habitantes e ou cidadãos do irã irão país da Ásia central povos iranianos povos indo europeus que falam os idiomas

línguas iranianas wikipédia a enciclopédia livre - Feb 25 2022

web encontre fontes abw capes google n l a julho de 2020 as línguas iranianasou irânicassão um grupo de línguas da família indo europeiacom um número estimado de

translation into portuguese examples english reverso context - Nov 24 2021

web translations in context of iranian in english portuguese from reverso context the iranian authorities the iranian government iranian nuclear the iranian regime the iranian people

os iranianos portuguese edition uniport edu ng - Sep 22 2021

web jun 5 2023 os iranianos portuguese edition 2 10 downloaded from uniport edu ng on june 5 2023 by guest a copa 2018 na Ótica de um torcedor joderyma torres 2018

os iranianos portuguese edition uniport edu ng - Jul 01 2022

web mar 25 2023 os iranianos portuguese edition 1 8 downloaded from uniport edu ng on march 25 2023 by guest os iranianos portuguese edition right here we have

os iranianos portuguese edition kindle edition amazon com au - May 11 2023

web os iranianos portuguese edition ebook adghirni samy amazon com au kindle store