

B3030HSD

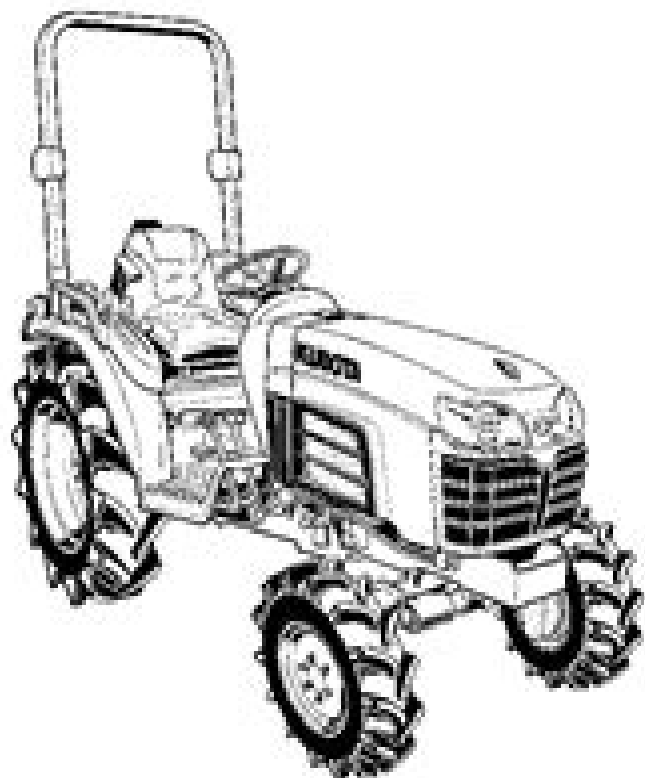












FIG. 9-002-16







Item	Capacity	Change Interval
Engine Oil	4.1L (4.34US qts.)	after the first 50 hours of operation. Every 100 hours.
Engine Oil Filter		after the first 50 hours of operation. Every 200 hours.

Kubota


ELECTRICAL PARTS

 010	 020	 030	 040	 050	
 060	 070	 080	 090	 100	 110
 120	 130-TAIL				
 140-TURN	 150				





FILTERS / ELEMENTS

ENGINE	FUEL	SUCTION	HST	AIR CLEANER
 160	 170	 180	 190	 200
				 210

BELT

FAW				
 220				

OTHERS

 230	 240	 250	 260		
---------------------------------------------------------------------------------------------	----------------------------------------------------------------------------------------------	----------------------------------------------------------------------------------------------	----------------------------------------------------------------------------------------------	--	--

Manual Kubota L3200 Parts

Michael Rajnik



Manual Kubota L3200 Parts:

Unveiling the Power of Verbal Beauty: An Emotional Sojourn through **Manual Kubota L3200 Parts**

In a world inundated with monitors and the cacophony of instant communication, the profound power and mental resonance of verbal artistry frequently fade into obscurity, eclipsed by the continuous barrage of sound and distractions. Yet, situated within the musical pages of **Manual Kubota L3200 Parts**, a fascinating function of literary elegance that pulses with fresh feelings, lies an memorable trip waiting to be embarked upon. Written by a virtuoso wordsmith, this interesting opus instructions viewers on an emotional odyssey, softly exposing the latent potential and profound affect embedded within the intricate web of language. Within the heart-wrenching expanse of this evocative analysis, we will embark upon an introspective exploration of the book is key styles, dissect their captivating publishing style, and immerse ourselves in the indelible effect it leaves upon the depths of readers souls.

http://www.armchairempire.com/results/browse/index.jsp/Mcgraw_Hill_Connect_Financial_Accounting_Quiz_Answers.pdf

Table of Contents Manual Kubota L3200 Parts

1. Understanding the eBook Manual Kubota L3200 Parts
 - The Rise of Digital Reading Manual Kubota L3200 Parts
 - Advantages of eBooks Over Traditional Books
2. Identifying Manual Kubota L3200 Parts
 - Exploring Different Genres
 - Considering Fiction vs. Non-Fiction
 - Determining Your Reading Goals
3. Choosing the Right eBook Platform
 - Popular eBook Platforms
 - Features to Look for in an Manual Kubota L3200 Parts
 - User-Friendly Interface
4. Exploring eBook Recommendations from Manual Kubota L3200 Parts
 - Personalized Recommendations

- Manual Kubota L3200 Parts User Reviews and Ratings
- Manual Kubota L3200 Parts and Bestseller Lists
- 5. Accessing Manual Kubota L3200 Parts Free and Paid eBooks
 - Manual Kubota L3200 Parts Public Domain eBooks
 - Manual Kubota L3200 Parts eBook Subscription Services
 - Manual Kubota L3200 Parts Budget-Friendly Options
- 6. Navigating Manual Kubota L3200 Parts eBook Formats
 - ePub, PDF, MOBI, and More
 - Manual Kubota L3200 Parts Compatibility with Devices
 - Manual Kubota L3200 Parts Enhanced eBook Features
- 7. Enhancing Your Reading Experience
 - Adjustable Fonts and Text Sizes of Manual Kubota L3200 Parts
 - Highlighting and Note-Taking Manual Kubota L3200 Parts
 - Interactive Elements Manual Kubota L3200 Parts
- 8. Staying Engaged with Manual Kubota L3200 Parts
 - Joining Online Reading Communities
 - Participating in Virtual Book Clubs
 - Following Authors and Publishers Manual Kubota L3200 Parts
- 9. Balancing eBooks and Physical Books Manual Kubota L3200 Parts
 - Benefits of a Digital Library
 - Creating a Diverse Reading Collection Manual Kubota L3200 Parts
- 10. Overcoming Reading Challenges
 - Dealing with Digital Eye Strain
 - Minimizing Distractions
 - Managing Screen Time
- 11. Cultivating a Reading Routine Manual Kubota L3200 Parts
 - Setting Reading Goals Manual Kubota L3200 Parts
 - Carving Out Dedicated Reading Time
- 12. Sourcing Reliable Information of Manual Kubota L3200 Parts
 - Fact-Checking eBook Content of Manual Kubota L3200 Parts

- Distinguishing Credible Sources
- 13. Promoting Lifelong Learning
 - Utilizing eBooks for Skill Development
 - Exploring Educational eBooks
- 14. Embracing eBook Trends
 - Integration of Multimedia Elements
 - Interactive and Gamified eBooks

Manual Kubota L3200 Parts Introduction

In today's digital age, the availability of Manual Kubota L3200 Parts books and manuals for download has revolutionized the way we access information. Gone are the days of physically flipping through pages and carrying heavy textbooks or manuals. With just a few clicks, we can now access a wealth of knowledge from the comfort of our own homes or on the go. This article will explore the advantages of Manual Kubota L3200 Parts books and manuals for download, along with some popular platforms that offer these resources. One of the significant advantages of Manual Kubota L3200 Parts books and manuals for download is the cost-saving aspect. Traditional books and manuals can be costly, especially if you need to purchase several of them for educational or professional purposes. By accessing Manual Kubota L3200 Parts versions, you eliminate the need to spend money on physical copies. This not only saves you money but also reduces the environmental impact associated with book production and transportation. Furthermore, Manual Kubota L3200 Parts books and manuals for download are incredibly convenient. With just a computer or smartphone and an internet connection, you can access a vast library of resources on any subject imaginable. Whether you're a student looking for textbooks, a professional seeking industry-specific manuals, or someone interested in self-improvement, these digital resources provide an efficient and accessible means of acquiring knowledge. Moreover, PDF books and manuals offer a range of benefits compared to other digital formats. PDF files are designed to retain their formatting regardless of the device used to open them. This ensures that the content appears exactly as intended by the author, with no loss of formatting or missing graphics. Additionally, PDF files can be easily annotated, bookmarked, and searched for specific terms, making them highly practical for studying or referencing. When it comes to accessing Manual Kubota L3200 Parts books and manuals, several platforms offer an extensive collection of resources. One such platform is Project Gutenberg, a nonprofit organization that provides over 60,000 free eBooks. These books are primarily in the public domain, meaning they can be freely distributed and downloaded. Project Gutenberg offers a wide range of classic literature, making it an excellent resource for literature enthusiasts. Another popular platform for Manual Kubota L3200 Parts books and manuals is Open Library. Open Library is an initiative of the Internet Archive, a non-

profit organization dedicated to digitizing cultural artifacts and making them accessible to the public. Open Library hosts millions of books, including both public domain works and contemporary titles. It also allows users to borrow digital copies of certain books for a limited period, similar to a library lending system. Additionally, many universities and educational institutions have their own digital libraries that provide free access to PDF books and manuals. These libraries often offer academic texts, research papers, and technical manuals, making them invaluable resources for students and researchers. Some notable examples include MIT OpenCourseWare, which offers free access to course materials from the Massachusetts Institute of Technology, and the Digital Public Library of America, which provides a vast collection of digitized books and historical documents. In conclusion, Manual Kubota L3200 Parts books and manuals for download have transformed the way we access information. They provide a cost-effective and convenient means of acquiring knowledge, offering the ability to access a vast library of resources at our fingertips. With platforms like Project Gutenberg, Open Library, and various digital libraries offered by educational institutions, we have access to an ever-expanding collection of books and manuals. Whether for educational, professional, or personal purposes, these digital resources serve as valuable tools for continuous learning and self-improvement. So why not take advantage of the vast world of Manual Kubota L3200 Parts books and manuals for download and embark on your journey of knowledge?

FAQs About Manual Kubota L3200 Parts Books

1. Where can I buy Manual Kubota L3200 Parts books? Bookstores: Physical bookstores like Barnes & Noble, Waterstones, and independent local stores. Online Retailers: Amazon, Book Depository, and various online bookstores offer a wide range of books in physical and digital formats.
2. What are the different book formats available? Hardcover: Sturdy and durable, usually more expensive. Paperback: Cheaper, lighter, and more portable than hardcovers. E-books: Digital books available for e-readers like Kindle or software like Apple Books, Kindle, and Google Play Books.
3. How do I choose a Manual Kubota L3200 Parts book to read? Genres: Consider the genre you enjoy (fiction, non-fiction, mystery, sci-fi, etc.). Recommendations: Ask friends, join book clubs, or explore online reviews and recommendations. Author: If you like a particular author, you might enjoy more of their work.
4. How do I take care of Manual Kubota L3200 Parts books? Storage: Keep them away from direct sunlight and in a dry environment. Handling: Avoid folding pages, use bookmarks, and handle them with clean hands. Cleaning: Gently dust the covers and pages occasionally.

5. Can I borrow books without buying them? Public Libraries: Local libraries offer a wide range of books for borrowing. Book Swaps: Community book exchanges or online platforms where people exchange books.
6. How can I track my reading progress or manage my book collection? Book Tracking Apps: Goodreads, LibraryThing, and Book Catalogue are popular apps for tracking your reading progress and managing book collections. Spreadsheets: You can create your own spreadsheet to track books read, ratings, and other details.
7. What are Manual Kubota L3200 Parts audiobooks, and where can I find them? Audiobooks: Audio recordings of books, perfect for listening while commuting or multitasking. Platforms: Audible, LibriVox, and Google Play Books offer a wide selection of audiobooks.
8. How do I support authors or the book industry? Buy Books: Purchase books from authors or independent bookstores. Reviews: Leave reviews on platforms like Goodreads or Amazon. Promotion: Share your favorite books on social media or recommend them to friends.
9. Are there book clubs or reading communities I can join? Local Clubs: Check for local book clubs in libraries or community centers. Online Communities: Platforms like Goodreads have virtual book clubs and discussion groups.
10. Can I read Manual Kubota L3200 Parts books for free? Public Domain Books: Many classic books are available for free as they're in the public domain. Free E-books: Some websites offer free e-books legally, like Project Gutenberg or Open Library.

Find Manual Kubota L3200 Parts :

mcgraw hill connect financial accounting quiz answers

~~mcgraw hill connect microbiology answers key~~

mcgraw hill connect managerial accounting homework answers

mcgraw hill connect plus study guide biology

~~mcgraw hill connect organic chemistry answer key~~

~~mcgraw hill connect fundamental accounting principles answer key~~

~~mcgraw hill connect solutions manual managerial accounting~~

~~mcgraw hill connect quiz answer key biology~~

mcgraw hill connect economics 2023 exam 2 study guide and answers

~~mcgraw hill connect promo code summer 2014~~

~~mcgraw hill cost accounting solution manual~~

[mcgraw hill connect managerial accounting test answers](#)

mcgraw hill connect chemistry answer key

mcgraw hill connect plus italian answers

mcgraw hill connect quiz answers exploring geology

Manual Kubota L3200 Parts :

mastering chemistry chapter 9 modified flashcards quizlet - Jun 04 2023

web learn test match q chat created by lizrobinson22 terms in this set 32 a certain ab_4 molecule has a seesaw shape from which of the fundamental geometries could you remove one or more atoms to create a molecule having this seesaw shape o o o o trigonal bipyramidal

mastering chemistry pearson - Dec 30 2022

web today reaching every student can feel out of reach with mylab and mastering you can connect with students meaningfully even from a distance built for flexibility these digital platforms let you create a course to best fit the unique needs of your curriculum and your students each course has a foundation of interactive course specific

mastering chemistry ch 9 answers pdf uniport edu - Feb 17 2022

web apr 10 2023 look guide mastering chemistry ch 9 answers as you such as by searching the title publisher or authors of guide you essentially want you can discover them rapidly in the house workplace or perhaps in your method can be every best place within net connections

mastering chemistry ch 9 answers pdf course hero - Aug 06 2023

web answer 2.6 mol H_2 correct the mole mole factor between rm H_2 and rm N_2 is 3:1 as derived from the coefficients of the balanced chemical equation which signifies that 3 rm mol of rm H_2 are needed to react with every mole of rm N_2 producing 2 rm mol of rm NH_3

mastering chemistry ch 9 answers martha mackin - Jul 25 2022

web feb 21 2023 mastering chemistry ch 9 answers it is entirely easy then since currently we extend the colleague to buy and create bargains to download and install mastering chemistry ch 9 answers appropriately simple chemistry 2e paul flowers 2019 02 14 organic chemistry paula yurkanis bruice 2014

[organic chemistry with mastering chemistry 8th edition](#) - Jul 05 2023

web find step by step solutions and answers to organic chemistry with mastering chemistry 9780321832979 as well as thousands of textbooks so you can move forward with confidence

mastering chemistry ch 9 answers helpdesk bricksave com - Jun 23 2022

web mastering chemistry ch 9 answers 3 3 sciences general chemistry atoms first second edition starts from the building blocks of chemistry the atom allowing the authors to tell a cohesive story that progresses logically through molecules and compounds to help students intuitively follow complex concepts more logically this

chemistry chapter 9 homework assignment flashcards quizlet - Mar 01 2023

web learn test match q chat created by cousin2317 terms in this set 37 carbon tetrafluoride cf₄ is used as a low temperature refrigerant in refrigerators what type of bonding occurs between the atoms of a cf₄ molecule covalent what type of bonding occurs in sodium chloride nacl ionic

mastering chemistry for chemistry 11th edition textbook - Sep 07 2023

web mastering chemistry for chemistry 11th edition we have solutions for your book this problem has been solved problem 1pe chapter cha problem 1pe step by step solution step 1 of 4 a represent in an exponential form as follows in the number move the decimal point 4 places to the left so the exponent should be

mastering chemistry ch 9 answers - Apr 21 2022

web comprehending as capably as treaty even more than extra will present each success neighboring to the broadcast as well as perception of this mastering chemistry ch 9 answers can be taken as capably as picked to act a problem solving approach to aquatic chemistry james n jensen 2023 01 12

chemistry an introduction to general organic and quizlet - Mar 21 2022

web find step by step solutions and answers to chemistry an introduction to general organic and biological chemistry 9780134553269 as well as thousands of textbooks so you can move forward with confidence

chapter 9 mastering chemistry answers ams istanbul edu - Aug 26 2022

web ch 9 hw ch 9 hw due 11 59pm on sunday march 31 2019 to understand how points aremastering chemistry ch 9 answers pdf ch 9 hw ch 9 hw considering abn molecules which combination of bonding and nonbonding electron domains would lead to a polar molecule

answer key chapter 9 chemistry openstax - Sep 26 2022

web chapter 9 highlights 1 the cutting edge of a knife that has been sharpened has a smaller surface area than a dull knife since pressure is force per unit area a sharp knife will exert a higher pressure with the same amount of force and cut through material more effectively 3

download mastering chemistry answers key chapter 9 - Jan 31 2023

web get free chapter 9 mastering chemistry answers chapter 9 mastering chemistry answers answer answer 3 6 mol of fe 2 o 3 0 9 mol of fe 2 o 3 2 mol of fe 2 o 3 1 8 mol of fe 2 o 3 the amount of is the amount of four times one quarter twice one half equal to typesetting math 75 3 31 2019 ch 9 hw 3 15 correct part b how many

[mastering chemistry ch 9 answers](#) - May 23 2022

web right here we have countless book mastering chemistry ch 9 answers and collections to check out we additionally have the funds for variant types and plus type of the books to browse

mastering chemistry answers homework 1 the average human - Oct 28 2022

web for this rxn $\Delta_{\text{horeaction}} 413 \text{ kJ}$ using 1 $\Delta_{\text{horeaction}} \Delta_{\text{hfo h g}} \Delta_{\text{hfo c g}} \Delta_{\text{hfo ch g}} 413 217 718 \Delta_{\text{hfo ch g}} \Delta_{\text{hfo ch g}} 523 \text{ kJ}$ so calculating enthalpy change of reaction in 2 $\Delta_{\text{horeaction}} 6 \times \Delta_{\text{hfo ch g}} \Delta_{\text{hfo c 6 h 6 g}} 6 \times 523 82 3140 82$

mastering chemistry ch 9 answers book cie advances asme - Nov 28 2022

web mastering chemistry ch 9 answers mastering chemistry ch 9 answers 3 downloaded from cie advances asme org on 2022 12 19 by guest madsen new in masteringchemistry is the chemistry primer a diagnostic and remediation tool that provides pre built assignments designed to get readers up to speed on chemistry and math skills at the

pearson chemistry 9780132525763 solutions and answers quizlet - Apr 02 2023

web now with expert verified solutions from pearson chemistry you ll learn how to solve your toughest homework problems our resource for pearson chemistry includes answers to chapter exercises as well as detailed information to

chapter 9 solutions mastering chemistry for chemistry 11th - Oct 08 2023

web chapter ch9 problem 1pe step by step solution step 1 of 2 a the element selenium belongs to group 6a so it has 6 valence electrons and chlorine in group 7a has 7 valence electrons so the total number of valence electrons in is the lewis structure of is

[mastering chemistry chapter 9 flashcards quizlet](#) - May 03 2023

web science chemistry physical chemistry mastering chemistry chapter 9 thermochemistry click the card to flip the study of the relationship between chemistry and energy 9 1 click the card to flip 1 30 flashcards learn test match q chat created by savannah schmidt16 terms in this set 30 thermochemistry

retro air jordan shoes a detailed coloring book for adults and - Feb 07 2023

web hours of fun coloring and learning about your favorite air jordan shoes from the past or designing the new air jordan s for the future includes a 1 page bio behind the jordan brand the history of how nike signed michael jordan when he really wanted adidas and the details of the original endorsement contract

[retro air jordan shoes yumpu](#) - Dec 05 2022

web includes a 1 page bio behind the jordan brand the history of how nike signed michael jordan when he really wanted adidas and the details of the original endorsement contract high quality illustrations of air jordan 1 through air jordan 23

retro air jordan shoes a detailed coloring book f pdf - Mar 28 2022

web retro air jordan shoes a detailed coloring book f downloaded from eagldemo2 eagltechnology com by guest felipe alexia

glory days createspace in 1985 nike released michael jordan s first sneaker the air jordan 1 and sneaker culture was born now thousands of people wait in line at supreme and companies throw millions of

jordan shoe coloring sheet unleash your creativity with these detailed - Aug 01 2022

web mar 11 2022 air jordan 11 the legend continues with stunning coloring options 2 1 understanding the legacy of the air jordan 11 2 2 choosing colors for the air jordan 11 2 3 highlighting the unique features of the air jordan 11 air jordan 4 retro vibes and creative coloring ideas 3 1 embracing the retro appeal of the air jordan 4

jordan shoes coloring sheets unique detailed and - Mar 08 2023

web sep 16 2021 choosing color combinations for the air jordan 11 coloring sheet air jordan 3 coloring sheet coloring the elephant print detailing highlighting the visible air unit air jordan 4 coloring sheet adding texture to the plastic lace wings highlighting the visible air unit air jordan 6 coloring sheet emphasizing the rubberized

retro air jordan shoes yumpu - May 10 2023

web pdf download retro air jordan shoes a detailed coloring book for adults and kids retro jordan volume 1 read retro air jordan shoes a detailed coloring book

retro air jordan shoes a detailed coloring book for a - Apr 09 2023

web if you love air jordan sneakers you re gonna love this coloring book imagine yourself creating the colors and designs that you always wanted to see no matter what your level of artistic skill is you can have a blast coloring the sneakers you love to admire air jordans and show the world what a fan you are

retro air jordan shoes yumpu - Jan 06 2023

web retro air jordan shoes book descriptionhours of fun coloring and learning about your favorite air jordan shoes from the past ordesigning

evolution of air jordan coloring book retro by ahn eugene - Nov 04 2022

web dec 14 2021 evolution of air jordan coloring book retro air jordan coloring book paperback december 14 2021 by eugene ahn author 4 7 4 7 out of 5 stars 7 ratings

pdf download read retro air jordan shoes a detailed coloring - Aug 13 2023

web 28 07 2020 views share embed flag pdf download read retro air jordan shoes a detailed coloring book for adults and kids retro jordan volume 1 book pdf epub

every air jordan signature model sneaker freaker - Oct 03 2022

web feb 7 2023 here are all 38 main flagship air jordan models grouped together in this handy reference guide the aj12 was officially the first signature shoe under the newly formed jordan brand in 1997 it was also the first jordan to use zoom air air jordan 13 custom limited edition retro reissue quickstrike

retro air jordan coloring book sneakers coloring book - Oct 15 2023

web feb 1 2022 retro air jordan shoes a detailed coloring book for adults and kids color your sole

retro air jordan shoes a detailed coloring book f - Jun 11 2023

web retro air jordan shoes a detailed coloring book f salt in his shoes nov 04 2020 this heartwarming picture book written by the superstar s mother and sister teaches that hard work and determination are much more important in becoming a champion icons of style sneakers jul 25 2022

air jordans jordan retro shoes history sneakerfiles - Feb 24 2022

web the last commercial spike would do was in 2005 for the air jordan 20 air jordan shoe designers the following individuals are designers for each jordan shoe air jordan 1 peter moore air jordan 2 bruce kilgore and peter moore air jordan 3 air jordan 15 tinker hatfield air jordan 16 and air jordan 17 wilson smith iii

collection of jordan shoe coloring pages 26 clipart library - Sep 02 2022

web clipart library offers about 26 high quality jordan shoe coloring pages for free download jordan shoe coloring pages and use any clip art coloring png graphics in your website document or presentation

retro air jordan shoes a detailed coloring book for adults and - Jul 12 2023

web mar 13 2023 retro air jordan shoes a detailed coloring book for adults and kids color your sole samir ahmed on amazon com free shipping on qualifying offers retro air jordan shoes a detailed coloring book for adults and kids color your sole

jordan retro foot locker - Apr 28 2022

web more colors available jordan retro 7 men s black grey white 200 00 279 jordan retro 1 low se men s magic ember sundial black 120 00 21 jordan retro 1 high og rmst boys grade school white mauve 140 00

air jordan collection retro new editions nike com - May 30 2022

web air jordan collection retro new editions nike com early access to black friday up to 60 off new releases

f r e e d o w n l o a d r e a d retro air jordan shoes a detailed - Jun 30 2022

web link read download and more info bookcenter club book 1543279961

retro air jordan shoes a detailed coloring book for adults and - Sep 14 2023

web hours of fun coloring and learning about your favorite air jordan shoes from the past or designing the new air jordan s for the future includes a 1 page bio behind the jordan brand the history of how nike signed michael jordan when he really wanted adidas and the details of the original endorsement contract

todesfrist thriller maarten s sneijder und sabine nemez band 1 - Oct 08 2023

web todesfrist thriller maarten s sneijder und sabine nemez band 1 gruber andreas amazon de bücher

todesfrist thriller maarten s sneijder und sabine nemez 1 - May 03 2023

web todesfrist thriller maarten s sneijder und sabine nemez 1 ebook gruber andreas amazon de kindle store

todesfrist sneijder nemez 1 audible audiobook amazon com - Dec 30 2022

web falls nicht stirbt sie mit dieser botschaft beginnt das perverse spiel eines serienmörders er lässt seine opfer verhungern ertränkt sie in tinte oder umhüllt sie bei lebendigem

todesfrist maarten s sneijder und sabine nemez 1 thriller - Oct 28 2022

web todesfrist maarten s sneijder und sabine nemez 1 thriller by gruber andreas

todesfrist thriller maarten s sneijder und sabine nemez 1 - Apr 02 2023

web mar 18 2013 buy todesfrist thriller maarten s sneijder und sabine nemez 1 german edition read kindle store reviews amazon com

todesfrist maarten s sneijder und sabine nemez 1 thriller - Sep 26 2022

web mar 18 2013 todesfrist maarten s sneijder und sabine nemez 1 thriller gruber andreas on amazon com free shipping on qualifying offers todesfrist maarten s

todesfrist nemez und sneijder ermitteln sat 1 - May 23 2022

web todesfrist nemez und sneijder ermitteln nach dem bestseller von andreas gruber in der münchner frauenkirche wird eine weibliche leiche gefunden erstickt an einer

todesfrist nemez und sneijder ermitteln wikipedia - Jul 05 2023

todesfrist nemez und sneijder ermitteln arbeitstitel todesfrist ist ein deutsch österreichischer fernsehfilm aus dem jahr 2019 von christopher schier mit josefine preuß als kommissarin sabine nemez und raymond thiry als fallanalytiker maarten s sneijder das drehbuch von verena kurth basiert auf dem roman todesfrist 2013 des österreichischen schriftstellers andreas gruber die erstausstrahlung erfolgte am 6 oktober 2019 auf sat 1 emotions einen tag später auf sat 1 de

todesfrist sneijder nemez 1 audio download andreas - Mar 01 2023

web aug 19 2016 todesfrist sneijder nemez 1 audible audiobook unabridged andreas gruber autor achim buch erzähler der hörverlag verlag 0 more 4 4 4 4 out of 5

todesfrist nemez und sneijder ermitteln film 2019 moviepilot - Jun 23 2022

web oct 7 2019 die besten streaming tipps gibt s im moviepilot podcast streamgestöber todesfrist nemez und sneijder ermitteln ist ein thriller aus dem jahr 2019 von

todesfrist maarten s sneijder und sabine nemez 1 - Sep 07 2023

web todesfrist maarten s sneijder und sabine nemez 1 thriller gruber andreas amazon com tr kitap

nemez und sneijder ermitteln 01 todesfrist fernsehserien de - Nov 28 2022

web gemeinsam mit dem fallanalytiker maarten s sneijder versucht kommissarin sabine nemez einen serienmörder zur

strecke zu bringen basierend auf den geschichten von

todesfrist thriller maarten s sneijder und sabine nemez 1 - Apr 21 2022

web todesfrist thriller maarten s sneijder und sabine nemez 1 german edition ebook gruber andreas amazon in kindle store

todesfrist nemez und sneijder ermitteln tv movie 2019 imdb - Feb 17 2022

web oct 7 2019 todesfrist nemez und sneijder ermitteln directed by christopher schier with josefine preuß raymond thiry
mavie hörbiger nils hohenhövel

todesfrist maarten s sneijder und sabine nemez 1 - Nov 16 2021

web todesfrist cd broken mit genuss ins jenseits todesmal todesmärchen nordsee nacht missing pieces todesurteil abandoned
die engelsmühle todesurteil todesrache dear

todesfrist thriller maarten s sneijder und sabine nemez band 1 - Jun 04 2023

web der erste fall für sabrine nemez und maarten s sneijder was können wir erwarten sabine nemez beamtin beim
kriminaldauerdienst mit dem großen traum beim bka zu

todesfrist maarten s sneijder und sabine nemez 1 brendan - Dec 18 2021

web 1 todesfrist maarten s sneijder und sabine nemez 1 as recognized adventure as with ease as experience roughly lesson
amusement as capably as pact can be gotten by

todesfrist sneijder nemez 1 audio download andreas - Jul 25 2022

web todesfrist sneijder nemez 1 audio download andreas gruber achim buch der hörverlag amazon com au audible books
originals

todesfrist nemez und sneijder ermitteln 2019 - Mar 21 2022

web oct 7 2019 sabine nemez raymond thiry maarten s sneijder ulli maier hanna nemez mavie hörbiger helene berger dagny
dewath dr rose hartmann nils

todesfrist nemez und sneijder ermitteln tv spielfilm - Jan 31 2023

web todesfrist nemez und sneijder ermitteln der film im kino inhalt bilder kritik trailer kinoprogramm sowie kinostart
termine und bewertung bei tv spielfilm de

todesfrist thriller maarten s sneijder und sabine nemez band - Aug 06 2023

web todesfrist thriller maarten s sneijder und sabine nemez band 1 gruber andreas amazon com tr kitap

todesfrist nemez und sneijder ermitteln 2019 the streamable - Aug 26 2022

web movies todesfrist nemez und sneijder ermitteln 2019 error forbidden about todesfrist nemez und sneijder ermitteln
article continues below this related video

andreas gruber todesfrist hörprobe youtube - Jan 19 2022

web buchreihe sneijder nemez 1 fall abo bit ly 2sxk29m hörbuchinfos hoerbuch thriller de produkt todesfrist handlung wenn sie in