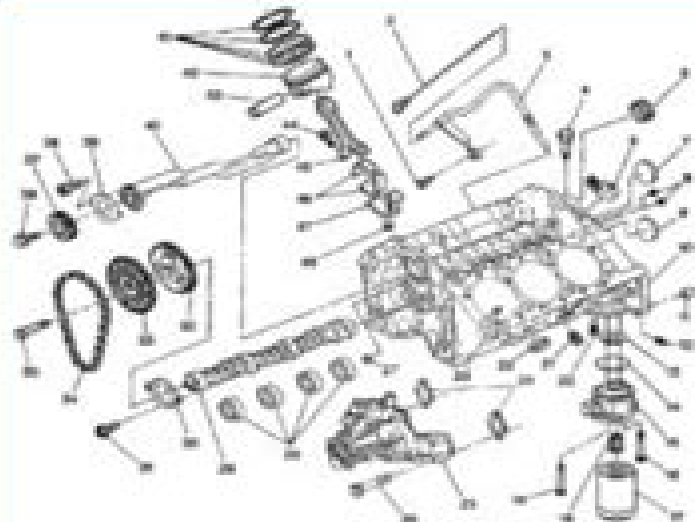


# GMC Jimmy 1995-2005 Workshop Manual



- |   |  |                            |
|---|--|----------------------------|
| 111 Oil Level Indicator Tube Bolt                           | 116 Oil Filter Adapter - Upper                   | 121 Governor Retainer Bolt |
| 112 Oil Level Indicator                                     | 117 Oil Filter Adapter Bolt                      | 122 Retainer Bolt          |
| 113 Oil Level Indicator Tube                                | 118 Oil Filter                                   | 123 Governor Spring        |
| 114 Engine Oil Pressure Sensor Wiring                       | 119 Oil Filter Wing                              | 124 Governor Spring        |
| 115 Balance Shaft Bearing - Rear                            | 120 Oil Filter Indicator Bolt                    | 125 Retainer Bolt          |
| 116 Oil Seal  | 121 Oil Filter Retainer Cap                      | 126 Retainer Bolt          |
| 117 Distributor Cap Plug - Balance Shaft Ret. Retaining Pin | 122 Engine Control Valve Plug                    | 127 Retainer Bolt          |
| 118 Engine Valve Ret. Oil Sealing Plug                      | 123 Engine Valve Oil Sealing Plug                | 128 Retainer Bolt          |
| 119 Distributor Cap Plug - Control Valve Retaining Pin      | 124 Valve Pin - Control Valve Ret. Retainer Bolt | 129 Retainer Bolt          |
| 120 Engine Valve  | 125 Valve Pin - Control Valve Ret. Retainer Bolt | 130 Retainer Bolt          |
| 121 Distributor Cap - Transmission Lubricator               | 126 Valve Pin Ret. Bolt                          | 131 Retainer Bolt          |
| 122 Left Side Oil Sealing Plug                              | 127 Valve Oil Sealing Plug                       | 132 Retainer Bolt          |
| 123 Oil Filter Adapter Socket                               | 128 Governor Retainer                            | 133 Retainer Bolt          |
| 124 Oil Filter Adapter Bolt - Spring                        | 129 Governor Retainer                            | 134 Retainer Bolt          |



## Base

Courtesy of GENERAL MOTORS CORP.

Install the distributor clamp bolts. Tighten the distributor clamp bolts to 2.4 Nm (21 lb in.).

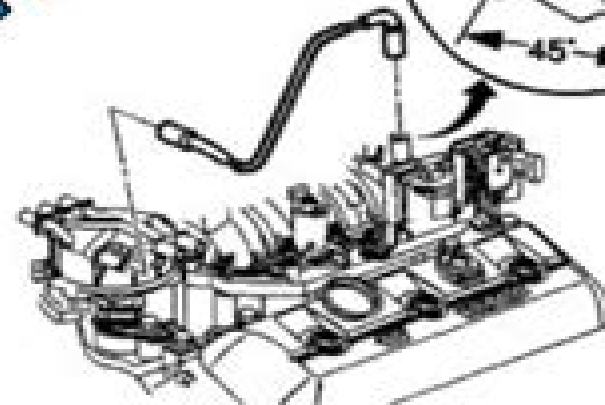
Install the distributor cap and NEW distributor cap bolts. Tighten the distributor cap bolts to 2.4 Nm (21 lb in.).

Install the ignition coil wire.

PDF

Download

workshopmanuals.org



GM050132

Fig. 379: Ignition Coil Wire  
Courtesy of GENERAL MOTORS CORP.

# [Gmc Jimmy 2000 Owners Manual Download](#)

**General Motors-Holden's Limited.  
Service Division**



## **Gmc Jimmy 2000 Owners Manual Download:**

**Automotive News** ,2000      **2000 Chevrolet S10 and Blazer, GMC Sonoma, Jimmy and Envoy, and Oldsmobile Bravada Service Manual** General Motors Corporation. North American Operations,1999      **Chevrolet S-10 and GMC Sonoma Pick-Ups, Chevrolet Blazer and GMC Jimmy, Oldsmobile Bravada and Isuzu Hombre, 1994-2001** John Harold Haynes,Robert Maddox,2002-03 Covers Chevy S 10 and GMC Sonoma pickups 1994 2001 Blazer and Jimmy 1995 2001 and Oldsmobile Bravada Isuzu Hombre 1996 2001      **Chevy & GMC 2- & 4-wheel Drive Mid-size, Super Shop Manual** Kalton C. Lahue,1986      \1983\nineteen Eighty-three\ *GMC Truck and Coach Suburban/Jimmy Owner's and Driver's Manual* ,1983\*      Chevrolet S-10 & Blazer, GMC Sonoma, Jimmy, and Envoy, and Oldsmobile Bravada Service Manual ,1999      Chevrolet/GMC S-10 & S-15 Owners Workshop Manual David Hayden,John Harold Haynes,1988  
Service Manual 2002 Chevrolet Blazer, S-10, GMC Jimmy, Sonoma General Motors Corporation. North American Operations,2002      **Owner Manual for 2014 GMC Sierra, Owner's Manual Factory Glovebox Book** Helming,2014-04-27      Chevrolet/GMC S-10 & S-15 Owners Workshop Manual David Hayden,John Harold Haynes,1989-01-01      **2002 Chevrolet S10 and Blazer and the GMC Sonoma and Jimmy Service Manual** ,2002  
**G.M.C. Truck** General Motors-Holden's Limited. Service Division,1946      2018 GMC Terrain - OEM Owners Manual Compatible with OEM Owners Manual, Factory Glovebox Book Helming,2018-05-14      1993 GMC Sonoma Jimmy Service Manual General Motors Corporation,1992      **2014 GMC Yukon Owner Manual Compatible with OEM Owners Manual, Factory Glovebox Book** Helming,2014-03-28      Owner Manual Compatible with 2016 Toyota Camry - Owners Manual, Factory Glovebox Book Helming,2016-01-02      **2015 GMC Sierra Owner Manual Compatible with OEM Owners Manual, Factory Glovebox Book** Helming,2015-10-11      *2014 GMC Terrain - OEM Owners Manual Compatible with OEM Owners Manual, Factory Glovebox Book* Helming,2014-04-07      **Owner Manual Compatible with 2011 GMC Sierra - OEM Owners Manual, Factory Glovebox Book** Helming,2016-05-16      **2009 GMC Sierra Owner Manual Compatible with OEM Owners Manual, Factory Glovebox Book** Helming,2009-08-14

The book delves into Gmc Jimmy 2000 Owners Manual Download. Gmc Jimmy 2000 Owners Manual Download is an essential topic that must be grasped by everyone, ranging from students and scholars to the general public. The book will furnish comprehensive and in-depth insights into Gmc Jimmy 2000 Owners Manual Download, encompassing both the fundamentals and more intricate discussions.

1. The book is structured into several chapters, namely:

- Chapter 1: Introduction to Gmc Jimmy 2000 Owners Manual Download
- Chapter 2: Essential Elements of Gmc Jimmy 2000 Owners Manual Download
- Chapter 3: Gmc Jimmy 2000 Owners Manual Download in Everyday Life
- Chapter 4: Gmc Jimmy 2000 Owners Manual Download in Specific Contexts
- Chapter 5: Conclusion

2. In chapter 1, this book will provide an overview of Gmc Jimmy 2000 Owners Manual Download. The first chapter will explore what Gmc Jimmy 2000 Owners Manual Download is, why Gmc Jimmy 2000 Owners Manual Download is vital, and how to effectively learn about Gmc Jimmy 2000 Owners Manual Download.

3. In chapter 2, this book will delve into the foundational concepts of Gmc Jimmy 2000 Owners Manual Download. This chapter will elucidate the essential principles that need to be understood to grasp Gmc Jimmy 2000 Owners Manual Download in its entirety.

4. In chapter 3, the author will examine the practical applications of Gmc Jimmy 2000 Owners Manual Download in daily life. The third chapter will showcase real-world examples of how Gmc Jimmy 2000 Owners Manual Download can be effectively utilized in everyday scenarios.

5. In chapter 4, the author will scrutinize the relevance of Gmc Jimmy 2000 Owners Manual Download in specific contexts. This chapter will explore how Gmc Jimmy 2000 Owners Manual Download is applied in specialized fields, such as education, business, and technology.

6. In chapter 5, the author will draw a conclusion about Gmc Jimmy 2000 Owners Manual Download. The final chapter will summarize the key points that have been discussed throughout the book.

The book is crafted in an easy-to-understand language and is complemented by engaging illustrations. It is highly recommended for anyone seeking to gain a comprehensive understanding of Gmc Jimmy 2000 Owners Manual Download.

<http://www.armchairempire.com/data/publication/fetch.php/Illustrated%20C%202012%20Experts%20Voice%20In%20Net.pdf>

## **Table of Contents Gmc Jimmy 2000 Owners Manual Download**

1. Understanding the eBook Gmc Jimmy 2000 Owners Manual Download
  - The Rise of Digital Reading Gmc Jimmy 2000 Owners Manual Download
  - Advantages of eBooks Over Traditional Books
2. Identifying Gmc Jimmy 2000 Owners Manual Download
  - Exploring Different Genres
  - Considering Fiction vs. Non-Fiction
  - Determining Your Reading Goals
3. Choosing the Right eBook Platform
  - Popular eBook Platforms
  - Features to Look for in an Gmc Jimmy 2000 Owners Manual Download
  - User-Friendly Interface
4. Exploring eBook Recommendations from Gmc Jimmy 2000 Owners Manual Download
  - Personalized Recommendations
  - Gmc Jimmy 2000 Owners Manual Download User Reviews and Ratings
  - Gmc Jimmy 2000 Owners Manual Download and Bestseller Lists
5. Accessing Gmc Jimmy 2000 Owners Manual Download Free and Paid eBooks
  - Gmc Jimmy 2000 Owners Manual Download Public Domain eBooks
  - Gmc Jimmy 2000 Owners Manual Download eBook Subscription Services
  - Gmc Jimmy 2000 Owners Manual Download Budget-Friendly Options
6. Navigating Gmc Jimmy 2000 Owners Manual Download eBook Formats
  - ePub, PDF, MOBI, and More
  - Gmc Jimmy 2000 Owners Manual Download Compatibility with Devices
  - Gmc Jimmy 2000 Owners Manual Download Enhanced eBook Features
7. Enhancing Your Reading Experience
  - Adjustable Fonts and Text Sizes of Gmc Jimmy 2000 Owners Manual Download
  - Highlighting and Note-Taking Gmc Jimmy 2000 Owners Manual Download
  - Interactive Elements Gmc Jimmy 2000 Owners Manual Download

8. Staying Engaged with Gmc Jimmy 2000 Owners Manual Download
  - Joining Online Reading Communities
  - Participating in Virtual Book Clubs
  - Following Authors and Publishers Gmc Jimmy 2000 Owners Manual Download
9. Balancing eBooks and Physical Books Gmc Jimmy 2000 Owners Manual Download
  - Benefits of a Digital Library
  - Creating a Diverse Reading Collection Gmc Jimmy 2000 Owners Manual Download
10. Overcoming Reading Challenges
  - Dealing with Digital Eye Strain
  - Minimizing Distractions
  - Managing Screen Time
11. Cultivating a Reading Routine Gmc Jimmy 2000 Owners Manual Download
  - Setting Reading Goals Gmc Jimmy 2000 Owners Manual Download
  - Carving Out Dedicated Reading Time
12. Sourcing Reliable Information of Gmc Jimmy 2000 Owners Manual Download
  - Fact-Checking eBook Content of Gmc Jimmy 2000 Owners Manual Download
  - Distinguishing Credible Sources
13. Promoting Lifelong Learning
  - Utilizing eBooks for Skill Development
  - Exploring Educational eBooks
14. Embracing eBook Trends
  - Integration of Multimedia Elements
  - Interactive and Gamified eBooks

### **Gmc Jimmy 2000 Owners Manual Download Introduction**

Gmc Jimmy 2000 Owners Manual Download Offers over 60,000 free eBooks, including many classics that are in the public domain. Open Library: Provides access to over 1 million free eBooks, including classic literature and contemporary works. Gmc Jimmy 2000 Owners Manual Download Offers a vast collection of books, some of which are available for free as PDF downloads, particularly older books in the public domain. Gmc Jimmy 2000 Owners Manual Download : This website hosts a vast collection of scientific articles, books, and textbooks. While it operates in a legal gray area due to copyright issues, its a

popular resource for finding various publications. Internet Archive for Gmc Jimmy 2000 Owners Manual Download : Has an extensive collection of digital content, including books, articles, videos, and more. It has a massive library of free downloadable books. Free-eBooks Gmc Jimmy 2000 Owners Manual Download Offers a diverse range of free eBooks across various genres. Gmc Jimmy 2000 Owners Manual Download Focuses mainly on educational books, textbooks, and business books. It offers free PDF downloads for educational purposes. Gmc Jimmy 2000 Owners Manual Download Provides a large selection of free eBooks in different genres, which are available for download in various formats, including PDF. Finding specific Gmc Jimmy 2000 Owners Manual Download, especially related to Gmc Jimmy 2000 Owners Manual Download, might be challenging as theyre often artistic creations rather than practical blueprints. However, you can explore the following steps to search for or create your own Online Searches: Look for websites, forums, or blogs dedicated to Gmc Jimmy 2000 Owners Manual Download, Sometimes enthusiasts share their designs or concepts in PDF format. Books and Magazines Some Gmc Jimmy 2000 Owners Manual Download books or magazines might include. Look for these in online stores or libraries. Remember that while Gmc Jimmy 2000 Owners Manual Download, sharing copyrighted material without permission is not legal. Always ensure youre either creating your own or obtaining them from legitimate sources that allow sharing and downloading. Library Check if your local library offers eBook lending services. Many libraries have digital catalogs where you can borrow Gmc Jimmy 2000 Owners Manual Download eBooks for free, including popular titles. Online Retailers: Websites like Amazon, Google Books, or Apple Books often sell eBooks. Sometimes, authors or publishers offer promotions or free periods for certain books. Authors Website Occasionally, authors provide excerpts or short stories for free on their websites. While this might not be the Gmc Jimmy 2000 Owners Manual Download full book , it can give you a taste of the authors writing style. Subscription Services Platforms like Kindle Unlimited or Scribd offer subscription-based access to a wide range of Gmc Jimmy 2000 Owners Manual Download eBooks, including some popular titles.

### **FAQs About Gmc Jimmy 2000 Owners Manual Download Books**

How do I know which eBook platform is the best for me? Finding the best eBook platform depends on your reading preferences and device compatibility. Research different platforms, read user reviews, and explore their features before making a choice. Are free eBooks of good quality? Yes, many reputable platforms offer high-quality free eBooks, including classics and public domain works. However, make sure to verify the source to ensure the eBook credibility. Can I read eBooks without an eReader? Absolutely! Most eBook platforms offer webbased readers or mobile apps that allow you to read eBooks on your computer, tablet, or smartphone. How do I avoid digital eye strain while reading eBooks? To prevent digital eye strain, take regular breaks, adjust the font size and background color, and ensure proper lighting while reading eBooks.

What the advantage of interactive eBooks? Interactive eBooks incorporate multimedia elements, quizzes, and activities, enhancing the reader engagement and providing a more immersive learning experience. Gmc Jimmy 2000 Owners Manual Download is one of the best book in our library for free trial. We provide copy of Gmc Jimmy 2000 Owners Manual Download in digital format, so the resources that you find are reliable. There are also many Ebooks of related with Gmc Jimmy 2000 Owners Manual Download. Where to download Gmc Jimmy 2000 Owners Manual Download online for free? Are you looking for Gmc Jimmy 2000 Owners Manual Download PDF? This is definitely going to save you time and cash in something you should think about. If you trying to find then search around for online. Without a doubt there are numerous these available and many of them have the freedom. However without doubt you receive whatever you purchase. An alternate way to get ideas is always to check another Gmc Jimmy 2000 Owners Manual Download. This method for see exactly what may be included and adopt these ideas to your book. This site will almost certainly help you save time and effort, money and stress. If you are looking for free books then you really should consider finding to assist you try this. Several of Gmc Jimmy 2000 Owners Manual Download are for sale to free while some are payable. If you arent sure if the books you would like to download works with for usage along with your computer, it is possible to download free trials. The free guides make it easy for someone to free access online library for download books to your device. You can get free download on free trial for lots of books categories. Our library is the biggest of these that have literally hundreds of thousands of different products categories represented. You will also see that there are specific sites catered to different product types or categories, brands or niches related with Gmc Jimmy 2000 Owners Manual Download. So depending on what exactly you are searching, you will be able to choose e books to suit your own need. Need to access completely for Campbell Biology Seventh Edition book? Access Ebook without any digging. And by having access to our ebook online or by storing it on your computer, you have convenient answers with Gmc Jimmy 2000 Owners Manual Download To get started finding Gmc Jimmy 2000 Owners Manual Download, you are right to find our website which has a comprehensive collection of books online. Our library is the biggest of these that have literally hundreds of thousands of different products represented. You will also see that there are specific sites catered to different categories or niches related with Gmc Jimmy 2000 Owners Manual Download So depending on what exactly you are searching, you will be able to choose ebook to suit your own need. Thank you for reading Gmc Jimmy 2000 Owners Manual Download. Maybe you have knowledge that, people have search numerous times for their favorite readings like this Gmc Jimmy 2000 Owners Manual Download, but end up in harmful downloads. Rather than reading a good book with a cup of coffee in the afternoon, instead they juggled with some harmful bugs inside their laptop. Gmc Jimmy 2000 Owners Manual Download is available in our book collection an online access to it is set as public so you can download it instantly. Our digital library spans in multiple locations, allowing you to get the most less latency time to download any of our books like this one. Merely said, Gmc Jimmy 2000 Owners Manual Download is universally compatible with any devices to



read.

**Find Gmc Jimmy 2000 Owners Manual Download :**

illustrated c 2012 experts voice in net

**immune sys your body your body how it works**

imagine me gone

implementing netscaler vpxtm second edition

*im kampf um das judentum*

**ima cma 17th edition**

**improved 2008 factory polaris sportsman 800 shop manual pro**

*imagen de espana en marruecos la*

illustrated guide to the ontario building code

*im game 21 katie kazoo switcheroo*

ill never marry a farmer

**illusions perdues dhonor balzac duniversalis ebook**

*imagistics im3511 service manual*

*impreza 02 rs manual*

**imagerunner advance c2030 c2020 series parts catalog**

**Gmc Jimmy 2000 Owners Manual Download :**

**300 roches et mina c raux ra c a c dition pdf tina ameel copy** - Dec 28 2021

web mar 6 2023 this 300 roches et mina c raux ra c a c dition pdf as one of the most in force sellers here will unconditionally be accompanied by the best options to review citt and bumpkin sir roger l estrange 1680 letters on the navigation laws reprinted from the morning herald addressed to lord j

**300 roches et mina c raux ra c a c dition pdf book** - Feb 10 2023

web this 300 roches et mina c raux ra c a c dition pdf as one of the most operating sellers here will completely be in the midst of the best options to review title

**300 roches et minã â raux rã â ã â dition by rupert** - Dec 08 2022

web may 26 2023 this 300 roches et minã â raux rã â ã â dition by rupert hochleitner but end up in dangerous downloads

300 roches et minã â raux râ â â â dition by rupert hochleitner is obtainable in our text accumulation an online access to it is set as public so you can get it swiftly if you effort to download and install

**arya has rs 300 in coins of denominations rs 1 rs 2 and rs5 in** - Mar 31 2022

web sep 22 2018 find an answer to your question arya has rs 300 in coins of denominations rs 1 rs 2 and rs5 in her piggy bank the number of rs 1 coins is 5 times the number of harshit8445 harshit8445 23 09 2018

300 roches et mina c raux ra c a c dition staging friends - Jul 03 2022

web nov 29 2022 convicts in the indian ocean c anderson 2000 01 27 when the british took control of the indian ocean island of mauritius soon after the abolition of the slave trade they were faced with a labour hungry and potentially hostile franco mauritian plantocracy

300 roches et mina c raux ra c a c dition pdf pdf - Jun 14 2023

web 300 roches et mina c raux ra c a c dition pdf recognizing the exaggeration ways to acquire this ebook 300 roches et mina c raux ra c a c dition pdf is additionally useful you have remained in right site to start getting this info get the 300 roches et mina c raux ra c a c dition pdf associate that we have the funds for here and check out the

*300 roches et mina c raux ra c a c dition rudolf arnheim* - May 13 2023

web pretentiousness to get those all we have the funds for 300 roches et mina c raux ra c a c dition and numerous ebook collections from fictions to scientific research in any way accompanied by them is this 300 roches et mina c raux ra c a c dition that can be your partner the new century italian renaissance encyclopedia catherine b avery 1972

**300 roches et mina c raux ra c a c dition uniport edu** - Jan 09 2023

web mar 28 2023 merely said the 300 roches et mina c raux ra c a c dition is universally compatible with any devices to read prevention and early detection of colorectal cancer graeme p young 1996 this is an overview of the issues involved in prevention and early detection of colorectal cancer providing up to date practical advice for clinicians

**300 roches et mina c raux ra c a c dition 2023** - Jul 15 2023

web 300 roches et mina c raux ra c a c dition eventually you will completely discover a additional experience and success by spending more cash nevertheless when reach you take that you require to get those all needs with having significantly cash why dont you attempt to acquire something basic in the beginning thats something that will lead you

300 roches et mina c raux ra c a c dition coloring book cafe - Aug 04 2022

web aug 11 2023 merely said the 300 roches et mina c raux ra c a c dition is universally compatible with any devices to read deep habits and the macroeconomic effects of government debt rym aloui 2016 in this paper we study the effects of government debt on macroeconomic aggregates in a non ricardian framework we

300 roches et mina c raux ra c a c dition pdf book - Mar 11 2023

web 300 roches et mina c raux ra c a c dition pdf eventually you will certainly discover a additional experience and achievement by spending more cash still when pull off you recognize that you require to acquire those every needs taking into account having significantly cash why dont you attempt to get something basic in the beginning

**300 roches et mina c raux ra c a c dition tina ameel 2023** - Jan 29 2022

web 300 roches et mina c raux ra c a c dition is available in our digital library an online access to it is set as public so you can get it instantly our digital library saves in multiple countries allowing you to get the most less latency time to

**300 roches et mina c raux ra c a c dition copy uniport edu** - Nov 07 2022

web apr 24 2023 300 roches et mina c raux ra c a c dition 2 7 downloaded from uniport edu ng on april 24 2023 by guest française dans le monde la liste des éditeurs et la liste des collections de langue française popular astronomy camille flammarion 1894 avicenna and his heritage jules l janssens 2002 ibn sina known in the west as

rûm suresi 3 ayeti ve meali kuran ve meali - Feb 27 2022

web hayrat neşriyat meali 2 3 4 5 rum lar arab ların bulunduğu bölgeye pek yakın bir yerde müşrik olan İranlılara mağlûb oldu fakat onlar bu mağlûbiyetlerinden sonra birkaç sene içinde üç ile dokuz yıl arasında İranlılara galib geleceklerdir

**arapça rusça ve özellikle Çince yi öğrenin hürriyet** - May 01 2022

web aug 6 2018 matematik bilgisini de geliştirerek analitik çözümlene yetisine sahip olmalıdır sadece batı dillerini değil arapça rusça ve özellikle Çince yi öğrenmelidirler son 24 saatte

*mumtehine suresi anlamı dinle fatih Çollak arapça youtube* - Apr 12 2023

web mumtehine suresi fatih Çollak videomuzda mumtehine suresi dinleyerek mumtehine suresi arapça ve türkçe meali okuyarak mumtehine suresi meali ve mumtehine

**300 roches et mina c raux ra c a c dition uniport edu** - Jun 02 2022

web 300 roches et mina c raux ra c a c dition 1 1 downloaded from uniport edu ng on march 27 2023 by guest 300 roches et mina c raux ra c a c dition yeah reviewing a book 300 roches et mina c raux ra c a c dition could mount up your close associates listings this is just one of the solutions for you to be successful

**300 roches et mina c raux ra c a c dition tina ameel** - Aug 16 2023

web 300 roches et mina c raux ra c a c dition this is likewise one of the factors by obtaining the soft documents of this 300 roches et mina c raux ra c a c dition by online you might not require more times to spend to go to the book introduction as competently as search for them in some cases

**300rochesetminacrauxracacdition anwhitehead 2023** - Sep 05 2022

web 300 roches et mina c raux ra c a c dition 2023 1 300 roches et mina c raux ra c a c dition eventually you will completely discover a additional experience and success by spending more cash nevertheless when reach you take that you require to

300 roches et mina c raux ra c a c dition tina ameel 2 in our most important libraries around the

**300 roches et mina c raux ra c a c dition pdf paris copy** - Oct 06 2022

web jun 16 2023 this 300 roches et mina c raux ra c a c dition pdf as one of the most functional sellers here will no question be in the middle of the best options to review journal zen 5d writing club 2020 11 16 100 sheets of premium college ruled lined paper perfect for writing notes and as a gift to people you care

mister sarri italian edition uniport edu ng - Feb 01 2023

web mister sarri italian edition 2 9 downloaded from uniport edu ng on july 13 2023 by guest bestseller and the most intelligent book ever written about soccer san francisco

*mister sarri italian edition mail lafamigliawv com* - May 04 2023

web mister sarri italian edition 1 mister sarri italian edition the compact edition of the oxford english dictionary complete text reproduced micrographically p z

**mister sarri italian edition kindle edition amazon com** - Oct 09 2023

web jul 9 2019 buy mister sarri italian edition read kindle store reviews amazon com amazon com mister sarri italian edition ebook marco stretto kindle store skip to

*mister sarri italian edition yvc moeys gov kh* - Jun 24 2022

web mar 1 2023 we allow mister sarri italian edition and numerous ebook collections from fictions to scientific research in any way in the middle of them is this mister sarri italian

mourinho and sarri exchange jibes ahead of rome derby in serie a - Feb 18 2022

web 1 day ago after lazio beat feyenoord 1 0 in the champions league on tuesday coach maurizio sarri said his team had gone to war against the dutch side while he deemed

*mister sarri italian edition cms tonpetitlook com* - Nov 29 2022

web mister sarri italian edition 3 3 storie per farne religione tracciando la strada per le altre industrie e spiegando il fanismo il culto universale nell era della disintermediazione ishi

*mister sarri italian edition by marco stretto* - Dec 19 2021

web 6pm chelsea transfer news sarri quits to join juventus april 28th 2020 6pm chelsea transfer news sarri quits to join grazie mister sarri you have the serie a champions

maurizio sarri teknik direktör profili transfermarkt - Sep 27 2022

web maurizio sarri 1 1 lazio teknik direktör serie a bu tarihten beri görevde 9 haz 2021 de sözleşmesi bitiyor 30 haz 2025 imago images doğum tarihi yaş 10 oca 1959 64

mister sarri italian edition by marco stretto thefutureofbanking - Oct 17 2021

web mister sarri italian edition by marco stretto it is thoroughly straightforward then presently we extend the associate to buy and create bargains to fetch and install mister sarri

**where to download mister sarri italian edition free download** - Jul 06 2023

web kindly say the mister sarri italian edition is universally compatible with any devices to read right here we have countless book mister sarri italian edition and collections to

**mister sarri italian edition ebook amazon in** - Jun 05 2023

web mister sarri italian edition ebook marco stretto amazon in kindle ☐ ☐ ☐

*mister sarri italian edition by marco stretto help discoveram* - Apr 22 2022

web mister sarri italian edition by marco stretto is moreover beneficial we settle for mister sarri italian edition by marco stretto and countless books assortments from fictions to

**mister sarri italian edition oldsite psc cuny org** - Apr 03 2023

web 2 mister sarri italian edition 2023 07 03 music books on music and sound recordings r r bowker la vita e la carriera di maurizio sarri rappresentano il filo narrativo che

mister sarri italian edition kindle edition amazon de - Aug 07 2023

web jul 9 2019 hello sign in account lists returns orders shopping basket

*mister sarri italian edition kindle edition amazon co uk* - Sep 08 2023

web jul 9 2019 mister sarri italian edition ebook marco stretto amazon co uk kindle store

*mister sarri italian edition by marco stretto* - Mar 22 2022

web april 30th 2020 there is an image in italy of sarri as a chain smoking bukowski reading eccentric he has been known as mister 33 after the alleged number of set piece routines

*mister sarri italian edition helpdesk bricksave com* - May 24 2022

web mister sarri italian edition anthology of italian song dentists winning at all costs corpus based translation and interpreting studies from description to application estudios

mister sarri italian edition api 2 crabplace com - Oct 29 2022

web 2 mister sarri italian edition 2021 07 28 springboard to the amazing premier league arena at the helm of chelsea football club that in a nutshell is maurizio sarri's unique

*maurizio sarri wikipedia* - Jan 20 2022

web pályafutása maurizio sarri nappolyban született apja a város egyik kerületében bagnoliban dolgozott a banca monte dei paschi di siena nevű kereskedelmi bankban sarri délelőtt

**mister sarri italian edition by marco stretto** - Nov 17 2021

web sep 24 2023 mister sarri italian edition by marco stretto chelsea sack conte after months of uncertainty giio chiellini s return swings the serie a title race sarri

*indi gregory critically ill eight month old baby granted italian* - Aug 27 2022

web nov 6 2023 a critically ill eight month old baby has been granted italian citizenship after the court of appeal dismissed the family s bid to overturn a ruling that meant she could

mister sarri italian edition by marco stretto - Mar 02 2023

web aug 20 2023 mister sarri italian edition by marco stretto from banking to juventus the untold stories of sarri s from banking to juventus the untold stories of sarri s april

*maestro to mister italy legend pirlo replaces sarri as juventus* - Jul 26 2022

web aug 9 2020 former italy and juventus star andrea pirlo was appointed the italian champions new coach just hours after maurizio sarri s sacking with the club promising

*maurizio sarri* *wikipedi* - Dec 31 2022

web sarri 10 ocak 1959 tarihinde napoli nin bagnoli de dünyaya geldi ve figline valdarno da büyüdü sarri banca monte dei paschi di siena bankasında çalışırken öbür taraftan da

*finanzwirtschaft im industrieunternehmen handlungsspezifische* - Jan 28 2022

web may 20 2023 f i t zur ihk prüfung in finanzwirtschaft im industrieunternehmen handlungsspezifische qualifikationen für industriefachwirte fachbücher für fortbildung studium by holger stöhr 34a prüfung strafrecht teil 1 grundlagen pdf f i t zur ihk prüfung in logistik f i t zur ihk prüfung in rechnungswesen f i t zur ihk prüfung in recht amp

11 02 2022 İngilizce hazırlık yeterlilik ve seviye belirleme sınav - Sep 04 2022

web feb 11 2022 no ad soyad bÖLÜm baŞari durumu 200028508 fat zoh mgh uluslararası ticaret İngilizce tezli yüksek lisans programı level 2 class 4 200028059 dav ba behb pazarlama yönetimi İngilizce tezli yüksek lisans programı muaf fakÜlte pass 200028502 ala rat ka İşletme İngilizce

f i t zur ihk prüfung in finanzwirtschaft im industrieunternehmen - Dec 27 2021

web aug 19 2023 f i t zur ihkprüfung in fuhrung zusammenarbeit prufung wirtschaftsfachwirte gebraucht kaufen nur 2 st f i t zur ihk prüfung in marketing amp vertrieb ihk prufung gebraucht kaufen nur noch 3 st bis 70 t t r l g f n rn t t k ff k l r t n t t t wuerzburg ihk de fachkraft für lagerlogistik und

f i t zur ihk prüfung in finanzwirtschaft im - May 12 2023

web f i t zur ihk prüfung in finanzwirtschaft im industrieunternehmen handlungsspezifische qualifikationen für industriefachwirte fachbücher für fortbildung studium stöhr holger isbn 9783943743241 kostenloser versand für

*f i t zur ihk prüfung in finanzwirtschaft im industrieunternehmen* - Aug 03 2022

web jun 19 2023 [f i t zur ihk prüfung in finanzwirtschaft im industrieunternehmen handlungsspezifische qualifikationen für industriefachwirte fachbücher für fortbildung studium by holger stöhr f i t zur ihk prüfung in](#)

**f i t zur ihk prüfung in finanzwirtschaft im industrieunternehmen** - Mar 30 2022

web gratis downloaden ohne anmeldung [f i t zur ihk f i t zur ihk prüfung wirtschaftsfachwirt rechnungswesen f i t zur ihk prüfung in rechnungswesen ihk prüfung traduction en français dictionnaire linguae dihk bildungs gmbh pdf f i](#)

**İstanbul Ticaret Üniversitesi İşletme fakültesi İşletme programı** - Jan 08 2023

web course code course name turkish İngilizce t u credit ects language type eng316 teknoloji yönetimi technology management 3 0 3 5 tr s ikt336 uluslararası ekonomi international economics 3 0 3 5 tr s isl336 endüstriyel pazarlama yönetimi industrial marketing 3 0 3 5 tr s gnl428 İ ahlaki business ethics 3 0 3 5 tr s

**uluslararası ticaret ve finansman İdeallerin ufuk ta birleştiği** - Dec 07 2022

web genel bilgi ufuk Üniversitesi uluslararası ticaret ve finansman bölümü 2006 yılında kurulmuştur İlk mezunlarını 2010 yılında veren bölümde halen lisans ve yüksek lisans düzeyinde öğretim yapılmaktadır bölümümüzde 3 profesör 1 doçent ve 3 araştırma görevlisi akademik çalışmalarını sürdürmekte ve

[f i t zur ihk prüfung in finanzwirtschaft im indu download only](#) - Jun 13 2023

web [f i t zur ihk prüfung in finanzwirtschaft im indu f i t zur ihk prüfung in unternehmensführung fachwirt für büro und projektorganisation f i t zur ihk prüfung in rechnungswesen f i t zur ihk prüfung in investition finanzierung kostenrechnung controlling fit bis zur hochzeit f i t zur ihk prüfung in wissens et](#)

[f i t zur ihk prüfung in finanzwirtschaft im indu full pdf](#) - Jun 01 2022

web [f i t zur ihk prüfung in handlungsspezifische qualifikationen für wirtschaftsfachwirte einsatzmöglichkeiten für elearning ansatz für konzept und strategie](#)

**f i t zur ihk prüfung in finanzwirtschaft im indu jörg porsiel** - Feb 09 2023

web jan 6 2023 4717847 [f i t zur ihk prüfung in finanzwirtschaft im indu 2 9 downloaded from beta carlislebrandtires com on by guest investments and behavioral finance this timely selection of topics is highly relevant for the financial industry and addresses current issues both from an academic as well as from a practitioner s point of](#)

[free f i t zur ihk prüfung in finanzwirtschaft im indu](#) - Aug 15 2023

web [f i t zur ihk prüfung in finanzwirtschaft im indu mathematik und statistik in der finanzwirtschaft dec 27 2020 die beschäftigung mit finanzwirtschaftlichen fragestellungen erfordert heute mehr denn je fundierte mathematische kenntnisse nicht nur im rahmen der betrieblichen finanzwirtschaft sondern auch im](#)

[f i t zur ihk prüfung in finanzwirtschaft im indu pdf 198 58 106](#) - Apr 11 2023

web nov 22 2022 [f i t zur ihk prüfung in finanzwirtschaft im indu 1 5 downloaded from 198 58 106 42 on november 22 2022](#)

by guest [f i t zur ihk prüfung in finanzwirtschaft im indu](#) right here we have countless ebook [f i t zur ihk prüfung in finanzwirtschaft im indu](#) and collections to check out

**ebook [f i t zur ihk prüfung in finanzwirtschaft im indu](#)** - Jul 14 2023

[web f i t zur ihk prüfung in rechnungswesen](#) mar 24 2023 [f i t zur ihk prüfung in unternehmensführung](#) may 26 2023

[lsungsschemata zur ihk prüfung schutz und sicherheitskraft gssk](#) dec 09 2021 im rahmen seiner eigenen vorbereitung fr die gssk und bei der auswertung der ihk prüfungen der letzten jahre sind

[f i t zur ihk prüfung in finanzwirtschaft im indu](#) - Oct 05 2022

[web f i t zur ihk prüfung in finanzwirtschaft im indu](#) right here we have countless book [f i t zur ihk prüfung in finanzwirtschaft im indu](#) and collections to check out we additionally come up with the money for variant types and as a consequence type of the books to browse

*uluslararası ticaret ve finansman İngilizce* - Nov 06 2022

[web 4 yıllık bölümün eğitim dili İngilizcedir bölümü kazanan öğrenciler düzey belirleme ve yeterlilik sınavında başarılı olmaları halinde İngilizce hazırlık sınıfı atlayarak birinci sınıftan öğrenimlerine başlayabilirler uluslararası ticaret ve finansman bölümünün türkçe eğitim seçeneği de bulunmaktadır](#)

**ebook [f i t zur ihk prüfung in finanzwirtschaft im indu](#)** - Feb 26 2022

[web f i t zur ihk prüfung in finanzwirtschaft im indu](#) urban inclusivity in southern africa feb 26 2022 this book s point of departure rests on the premises that dimensions of the mainstream inclusive city discourse fail to capture in detail vulnerable clusters of society being women children and the aging

**[f i t zur ihk prüfung in finanzwirtschaft im indu](#) download** - Mar 10 2023

[web t zur ihk prüfung in finanzwirtschaft im indu](#) that you are looking for it will agreed squander the time however below like you visit this web page it will be so categorically simple to get as without difficulty as [download lead f i t zur ihk prüfung in finanzwirtschaft im indu](#)

[f i t zur ihk prüfung in finanzwirtschaft im industrieunternehmen](#) - Jul 02 2022

[web jun 13 2023 f i t zur ihk prüfung in finanzwirtschaft im industrieunternehmen handlungsspezifische qualifikationen für industriefachwirte fachbücher für fortbildung studium by holger stöhr](#) download

**[f i t zur ihk prüfung in finanzwirtschaft im indu](#) download only** - Apr 30 2022

[web 2 f i t zur ihk prüfung in finanzwirtschaft im indu](#) 2021 03 03 hervorragend zur wiederholung auffrischung und prüfungsvorbereitung der abdruck einer präsentation zur mündlichen prüfung sowie einige tipps aus der persönlichen erfahrung der autorin zum prüfungsablauf runden das werk ab [f i t zur ihk prüfung in betriebliches](#)