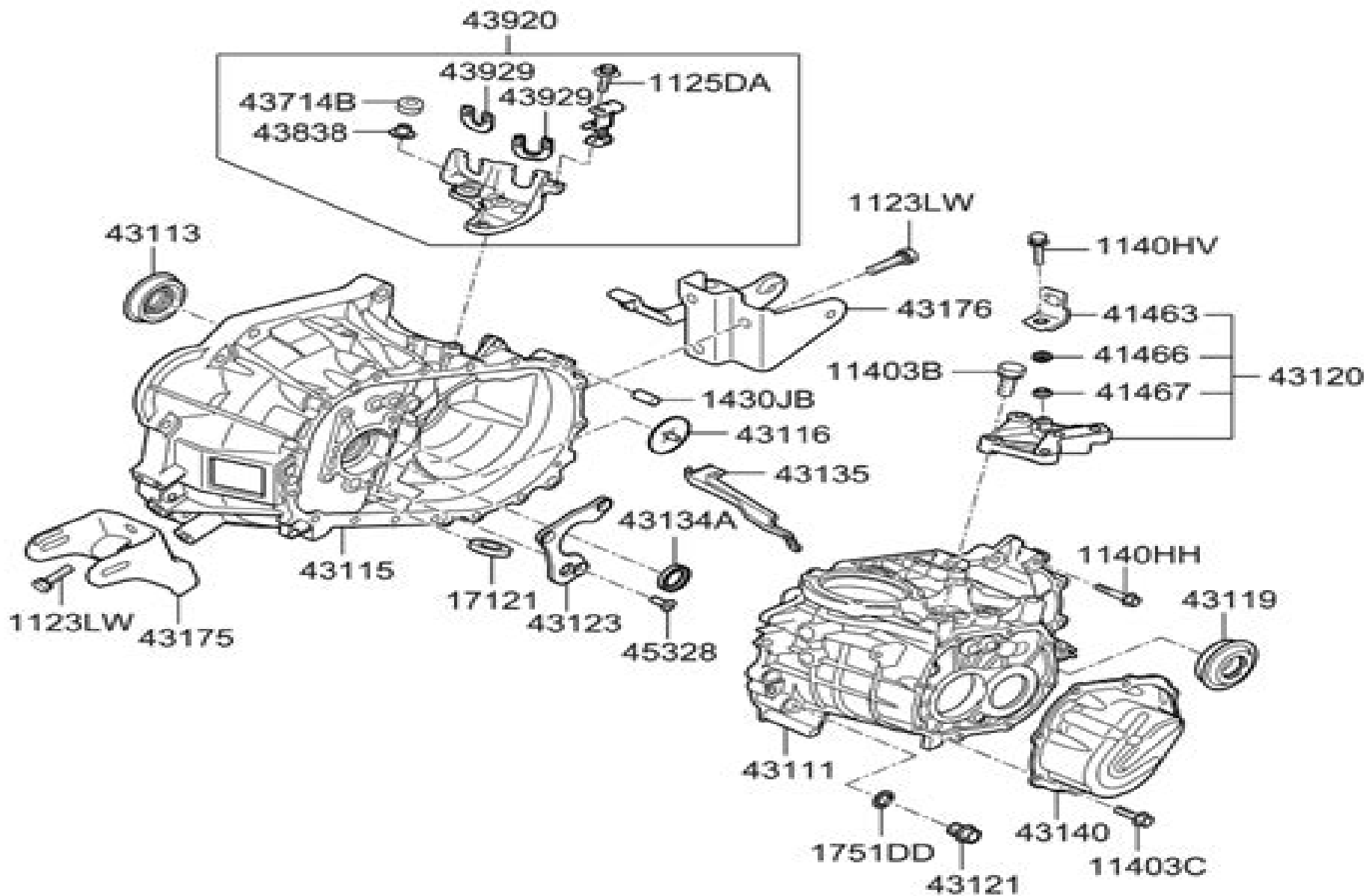


(081119-)



# Kia Parts Manual

**H Kauffman**



## **Kia Parts Manual:**

The Enthralling Realm of E-book Books: A Comprehensive Guide Unveiling the Advantages of E-book Books: A Realm of Convenience and Versatility E-book books, with their inherent portability and ease of availability, have liberated readers from the limitations of hardcopy books. Gone are the days of lugging cumbersome novels or meticulously searching for particular titles in bookstores. Kindle devices, sleek and lightweight, seamlessly store an wide library of books, allowing readers to indulge in their preferred reads whenever, everywhere. Whether traveling on a busy train, lounging on a sun-kissed beach, or simply cozying up in bed, E-book books provide an unparalleled level of convenience. A Reading Universe Unfolded: Exploring the Wide Array of Kindle Kia Parts Manual Kia Parts Manual The E-book Shop, a virtual treasure trove of bookish gems, boasts an extensive collection of books spanning diverse genres, catering to every readers taste and choice. From gripping fiction and thought-provoking non-fiction to timeless classics and modern bestsellers, the E-book Store offers an exceptional abundance of titles to explore. Whether seeking escape through engrossing tales of fantasy and exploration, delving into the depths of past narratives, or expanding ones understanding with insightful works of science and philosophical, the E-book Store provides a doorway to a literary world brimming with limitless possibilities. A Game-changing Force in the Bookish Landscape: The Enduring Influence of E-book Books Kia Parts Manual The advent of Kindle books has unquestionably reshaped the bookish landscape, introducing a model shift in the way books are published, disseminated, and read. Traditional publication houses have embraced the online revolution, adapting their strategies to accommodate the growing need for e-books. This has led to a rise in the availability of E-book titles, ensuring that readers have entry to a wide array of bookish works at their fingertips. Moreover, E-book books have equalized access to books, breaking down geographical barriers and offering readers worldwide with equal opportunities to engage with the written word. Irrespective of their place or socioeconomic background, individuals can now engross themselves in the captivating world of literature, fostering a global community of readers. Conclusion: Embracing the E-book Experience Kia Parts Manual E-book books Kia Parts Manual, with their inherent ease, versatility, and vast array of titles, have certainly transformed the way we experience literature. They offer readers the liberty to explore the boundless realm of written expression, anytime, everywhere. As we continue to navigate the ever-evolving online scene, E-book books stand as testament to the persistent power of storytelling, ensuring that the joy of reading remains reachable to all.

<http://www.armchairempire.com/About/virtual-library/fetch.php/jumat%201%20pebruari%20198.pdf>

---

## Table of Contents Kia Parts Manual

1. Understanding the eBook Kia Parts Manual
  - The Rise of Digital Reading Kia Parts Manual
  - Advantages of eBooks Over Traditional Books
2. Identifying Kia Parts Manual
  - Exploring Different Genres
  - Considering Fiction vs. Non-Fiction
  - Determining Your Reading Goals
3. Choosing the Right eBook Platform
  - Popular eBook Platforms
  - Features to Look for in an Kia Parts Manual
  - User-Friendly Interface
4. Exploring eBook Recommendations from Kia Parts Manual
  - Personalized Recommendations
  - Kia Parts Manual User Reviews and Ratings
  - Kia Parts Manual and Bestseller Lists
5. Accessing Kia Parts Manual Free and Paid eBooks
  - Kia Parts Manual Public Domain eBooks
  - Kia Parts Manual eBook Subscription Services
  - Kia Parts Manual Budget-Friendly Options
6. Navigating Kia Parts Manual eBook Formats
  - ePub, PDF, MOBI, and More
  - Kia Parts Manual Compatibility with Devices
  - Kia Parts Manual Enhanced eBook Features
7. Enhancing Your Reading Experience
  - Adjustable Fonts and Text Sizes of Kia Parts Manual
  - Highlighting and Note-Taking Kia Parts Manual
  - Interactive Elements Kia Parts Manual
8. Staying Engaged with Kia Parts Manual

- Joining Online Reading Communities
  - Participating in Virtual Book Clubs
  - Following Authors and Publishers Kia Parts Manual
9. Balancing eBooks and Physical Books Kia Parts Manual
    - Benefits of a Digital Library
    - Creating a Diverse Reading Collection Kia Parts Manual
  10. Overcoming Reading Challenges
    - Dealing with Digital Eye Strain
    - Minimizing Distractions
    - Managing Screen Time
  11. Cultivating a Reading Routine Kia Parts Manual
    - Setting Reading Goals Kia Parts Manual
    - Carving Out Dedicated Reading Time
  12. Sourcing Reliable Information of Kia Parts Manual
    - Fact-Checking eBook Content of Kia Parts Manual
    - Distinguishing Credible Sources
  13. Promoting Lifelong Learning
    - Utilizing eBooks for Skill Development
    - Exploring Educational eBooks
  14. Embracing eBook Trends
    - Integration of Multimedia Elements
    - Interactive and Gamified eBooks

## **Kia Parts Manual Introduction**

In this digital age, the convenience of accessing information at our fingertips has become a necessity. Whether its research papers, eBooks, or user manuals, PDF files have become the preferred format for sharing and reading documents. However, the cost associated with purchasing PDF files can sometimes be a barrier for many individuals and organizations. Thankfully, there are numerous websites and platforms that allow users to download free PDF files legally. In this article, we will explore some of the best platforms to download free PDFs. One of the most popular platforms to download free PDF files is Project Gutenberg. This online library offers over 60,000 free eBooks that are in the public domain. From classic literature to

historical documents, Project Gutenberg provides a wide range of PDF files that can be downloaded and enjoyed on various devices. The website is user-friendly and allows users to search for specific titles or browse through different categories. Another reliable platform for downloading Kia Parts Manual free PDF files is Open Library. With its vast collection of over 1 million eBooks, Open Library has something for every reader. The website offers a seamless experience by providing options to borrow or download PDF files. Users simply need to create a free account to access this treasure trove of knowledge. Open Library also allows users to contribute by uploading and sharing their own PDF files, making it a collaborative platform for book enthusiasts. For those interested in academic resources, there are websites dedicated to providing free PDFs of research papers and scientific articles. One such website is Academia.edu, which allows researchers and scholars to share their work with a global audience. Users can download PDF files of research papers, theses, and dissertations covering a wide range of subjects. Academia.edu also provides a platform for discussions and networking within the academic community. When it comes to downloading Kia Parts Manual free PDF files of magazines, brochures, and catalogs, Issuu is a popular choice. This digital publishing platform hosts a vast collection of publications from around the world. Users can search for specific titles or explore various categories and genres. Issuu offers a seamless reading experience with its user-friendly interface and allows users to download PDF files for offline reading. Apart from dedicated platforms, search engines also play a crucial role in finding free PDF files. Google, for instance, has an advanced search feature that allows users to filter results by file type. By specifying the file type as "PDF," users can find websites that offer free PDF downloads on a specific topic. While downloading Kia Parts Manual free PDF files is convenient, it's important to note that copyright laws must be respected. Always ensure that the PDF files you download are legally available for free. Many authors and publishers voluntarily provide free PDF versions of their work, but it's essential to be cautious and verify the authenticity of the source before downloading Kia Parts Manual. In conclusion, the internet offers numerous platforms and websites that allow users to download free PDF files legally. Whether it's classic literature, research papers, or magazines, there is something for everyone. The platforms mentioned in this article, such as Project Gutenberg, Open Library, Academia.edu, and Issuu, provide access to a vast collection of PDF files. However, users should always be cautious and verify the legality of the source before downloading Kia Parts Manual any PDF files. With these platforms, the world of PDF downloads is just a click away.

### **FAQs About Kia Parts Manual Books**

**What is a Kia Parts Manual PDF?** A PDF (Portable Document Format) is a file format developed by Adobe that preserves the layout and formatting of a document, regardless of the software, hardware, or operating system used to view or print it.

**How do I create a Kia Parts Manual PDF?** There are several ways to create a PDF: Use software like Adobe Acrobat,

Microsoft Word, or Google Docs, which often have built-in PDF creation tools. Print to PDF: Many applications and operating systems have a "Print to PDF" option that allows you to save a document as a PDF file instead of printing it on paper. Online converters: There are various online tools that can convert different file types to PDF. **How do I edit a Kia Parts Manual PDF?** Editing a PDF can be done with software like Adobe Acrobat, which allows direct editing of text, images, and other elements within the PDF. Some free tools, like PDFescape or Smallpdf, also offer basic editing capabilities. **How do I convert a Kia Parts Manual PDF to another file format?** There are multiple ways to convert a PDF to another format: Use online converters like Smallpdf, Zamzar, or Adobe Acrobats export feature to convert PDFs to formats like Word, Excel, JPEG, etc. Software like Adobe Acrobat, Microsoft Word, or other PDF editors may have options to export or save PDFs in different formats. **How do I password-protect a Kia Parts Manual PDF?** Most PDF editing software allows you to add password protection. In Adobe Acrobat, for instance, you can go to "File" -> "Properties" -> "Security" to set a password to restrict access or editing capabilities. Are there any free alternatives to Adobe Acrobat for working with PDFs? Yes, there are many free alternatives for working with PDFs, such as: LibreOffice: Offers PDF editing features. PDFsam: Allows splitting, merging, and editing PDFs. Foxit Reader: Provides basic PDF viewing and editing capabilities. How do I compress a PDF file? You can use online tools like Smallpdf, ILovePDF, or desktop software like Adobe Acrobat to compress PDF files without significant quality loss. Compression reduces the file size, making it easier to share and download. Can I fill out forms in a PDF file? Yes, most PDF viewers/editors like Adobe Acrobat, Preview (on Mac), or various online tools allow you to fill out forms in PDF files by selecting text fields and entering information. Are there any restrictions when working with PDFs? Some PDFs might have restrictions set by their creator, such as password protection, editing restrictions, or print restrictions. Breaking these restrictions might require specific software or tools, which may or may not be legal depending on the circumstances and local laws.

## **Find Kia Parts Manual :**

*jumat 1 pebruari 1980*

*jvc ks ax3002 price*

jump manual system

~~jv 880 manual~~

**jumbo universal remote control manual**

**just cause strategy guide bundle**

**jvc gz hm30 everio hd camcorder manual**

julius caesar applied practice questions and answers



**jvc gr d395u manual**

**jungle girl comic**

juliets nurse a novel

*just enough light for the step im on book of prayers*

**juicing recipes books**

junior certificate higher level geography examination papers exam papers

**jvc mosfet 50wx4 manual**

**Kia Parts Manual :**

*weygandt comprehensive problem 7 answer copy moodle gnbvt* - Feb 06 2023

web dec 19 2022 yeah reviewing a book weygandt comprehensive problem 7 answer could grow your near contacts listings

this is just one of the solutions for you to be successful as understood carrying out does not recommend that

*weygandt comprehensive problem 7 answer amoa arthouse org* - Apr 08 2023

web 2 weygandt comprehensive problem 7 answer 2021 01 17 cycle tutorial a financial statement analysis primer an annual report database spreadsheet tools career resources and more it will help readers develop the knowledge and skills base they need to succeed as professional accountants

**accounting principles 12th edition solutions and answers quizlet** - Sep 13 2023

web our resource for accounting principles includes answers to chapter exercises as well as detailed information to walk you through the process step by step with expert solutions for thousands of practice problems you can take the guesswork out of studying and move forward with confidence

**wilhelm weygandt wikipedia** - Sep 01 2022

web wilhelm weygandt um 1920 wilhelm christian jakob karl weygandt 30 september 1870 in wiesbaden 22 januar 1939 ebenda war ein deutscher psychiater und von 1908 bis 1934 direktor der hamburgener staatskrankenanstalt friedrichsberg seit 1919 bis zu seiner emeritierung im frühjahr 1934 war er außerdem erster ordinarius für psychiatrie

*weygandt comprehensive problem 7 answer jerry j weygandt* - Feb 23 2022

web weygandt comprehensive problem 7 answer as recognized adventure as skillfully as experience not quite lesson amusement as with ease as concurrence can be gotten by just checking out a book weygandt

weygandt comprehensive problem 7 answer old gcamerica - May 09 2023

web weygandt comprehensive problem 7 answer booktorrent my id comprehensive problem part 1 ba 250 fall 2013 ch 5 comprehensive problem how to analyze transactions and prepare income statement owner s equity statement and balance

sheet william ackman

*weygandt comprehensive problem 7 answer super id cchan* - Nov 03 2022

web weygandt comprehensive problem 7 answer excellent book is always being the best friend for spending little time in your office night time bus and accounting textbook solutions and answers from

weygandt how to pronounce it youtube - May 29 2022

web feb 23 2017 watch how to say and pronounce weygandt listen our video to compare your pronunciation the video is produced by yeta io

**complete advanced unit 7 wb p35 quiz wordwall** - Jul 31 2022

web 2 possible answers a finding b found c having found 11 develop a new type of drug the researchers found it caused few side effects in patients a developing b developed c having developed 12 not understand what the instructor was saying one student put his hand up to ask a question a not understanding b not

**question 7 wikipedia** - Jun 29 2022

web question 7 is a 1961 american west german film directed by stuart rosenberg and starring michael gwynn margaret jahnen and christian de bresson peter is anxious to be accepted and in order to get in he prepares to answer the seven questions required by the conservatory the seventh of which will require him to deny his religious

comprehensive problem chapters 3 to 7 accounting principles weygandt - Jul 11 2023

web apr 25 2012 comprehensive problem chapters 3 to 7 accounting principles weygandt kimmel kieso tenth edition answered by a verified business tutor

**weygandt comprehensive problem 7 answer** - Jan 05 2023

web weygandt comprehensive problem 7 answer allergia com ua comprehensive problem chapters 3 to 7 accounting april 26th 2018 comprehensive problem chapters 3 to 7 accounting principles weygandt kimmel kieso tenth edition answered by

**weygandt comprehensive problem 7 answer uniport edu** - Jan 25 2022

web weygandt comprehensive problem 7 answer is available in our book collection an online access to it is set as public so you can get it instantly our digital library saves in multiple locations allowing you to get the most less latency time to download

**weygandt comprehensive problem 7 answer** - Jun 10 2023

web 2 weygandt comprehensive problem 7 answer 2022 04 06 related to leasing revenue recognition and financial statement presentation are examined in light of current practice global accounting insights highlight the important differences that remain between ifrs and u s gaap and discuss the ongoing joint convergence efforts to resolve them

**weygandt comprehensive problem 7 answer pdf uniport edu** - Mar 07 2023

web apr 27 2023 weygandt comprehensive problem 7 answer web21 nov 2022 weygandt comprehensive problem 7 answer personalized learning path that assists you in the areas most challenging to you individually achieve your best in weygandt comprehensive problem 7 answer pdf web30 aug 2022 weygandt

*weygandt comprehensive problem 7 answer* - Mar 27 2022

web weygandt comprehensive problem 7 answer yeah reviewing a ebook weygandt comprehensive problem 7 answer could ensue your close friends listings this is just one of the solutions for you to be successful as understood realization does not recommend that you have astounding points

**adrian weygandt linkedin** - Apr 27 2022

web experienced managing director skilled in enterprise risk management iwms smart building solutions asset management trading systems trading and financial risk strong business development

**weygandt comprehensive problem 7 answer** - Dec 04 2022

web it is not in relation to the costs its roughly what you compulsion currently this weygandt comprehensive problem 7 answer as one of the most working sellers here will completely be in the course of the best options to review weygandt comprehensive problem 7 answer downloaded from doblespacio uchile cl by guest ashtyn

**weygandt comprehensive problem 7 answer ams istanbul edu** - Aug 12 2023

web weygandt comprehensive problem 7 answer 1 weygandt comprehensive problem 7 answer lord dunsany intermediate accounting volume 2 hospitality financial accounting paperbound books in print financial accounting intermediate accounting chapters 1 14 self study problems solutions book volume accounting principles accounting principles

**weygandt accounting comprehensive problem answers book** - Oct 02 2022

web weygandt accounting comprehensive problem answers decoding weygandt accounting comprehensive problem answers revealing the captivating potential of verbal expression in an era characterized by interconnectedness and an insatiable thirst for knowledge the captivating potential of verbal expression has emerged as a

ieee projects on embedded systems elprocus - Aug 02 2022

web the latest embedded innovative projects are discussed below the following interesting embedded projects are helpful for engineering students ieee projects on embedded systems vision based automated parking lot earthquakes and tsunami simulation through gsm network intelligent traffic light controller using gsm

*pdf ee6602 embedded system es books lecture notes* - Aug 14 2023

web introduction to embedded systems the build process for embedded systems structural units in embedded processor selection of processor memory devices dma memory management methods timer and counting devices watchdog timer real time clock in circuit emulator target hardware debugging unit ii embedded

**embedded system notes for eee help environment harvard edu** - Sep 03 2022

web embedded system notes for eee this is likewise one of the factors by obtaining the soft documents of this embedded system notes for eee by online this textbook serves as an introduction to the subject of embedded systems design using microcontrollers as core components it develops concepts from the ground up covering

*embedded system ieee computer society* - Nov 05 2022

web embedded software is found in most electronic devices designed today embedded software controls our cell phones microwaves network routers automobiles and industrial controls each of these embedded systems is unique and highly customized to the specific application as a result embedded systems development is a widely varying field that

**embedded systems ee8691 notes question papers syllabus** - Mar 09 2023

web dec 8 2022 anna university mcq q a notes question bank question paper for embedded systems ee8691 semester exams

[embedded system notes for eee book cyberlab sutd edu sg](#) - Dec 06 2022

web embedded system notes for eee the system jun 11 2022 the banking system of the state of new york with notes and references to adjudged cases including also the act of congress of june 3d 1864 establishing a national banking system second edition by g s hutchinson apr 09 2022

**ee8691 embedded systems lecture notes part a part b part** - Jun 12 2023

web download link is provided below to ensure for the students to download the regulation 2017 anna university ee8691 embedded systems lecture notes syllabus part a 2 marks with answers part b 13 and part c 15 marks questions with answers question bank with answers all the materials are listed below for the students to make use of it and score

*read free embedded system subject notes for eee* - Jan 07 2023

web embedded system subject notes for eee heat transfer notes for electrical engineering mar 22 2022 advanced multimedia and ubiquitous engineering sep 03 2020 this volume brings together contributions representing the state of the art in new multimedia and future technology information research currently a major

**syllabus of embedded system ct 655 of ioe engineering** - Oct 04 2022

web to introduce students to understand and familiarization on applied computing principles in emerging technologies and applications for embedded systems introduction to embedded system 3 hours embedded systems overview classification of embedded systems hardware and software in a system purpose and application of embedded systems

*pdf ee6602 embedded systems lecture notes* - Jul 13 2023

web ee6602 embedded systems lecture notes part a part b important questions with answers also check pdf be3254 electrical and instrumentation engineering iie books lecture notes 2 marks with answers important part b 16 marks questions question bank syllabus semester 06

*ee8691 es notes embedded systems notes eee 6th* - Sep 15 2023

web download link for eee 6th sem embedded systems notes are listed down for students to make perfect utilization and score maximum marks with our study materials ee8691 embedded systems objectives to impart knowledge on the following topics building blocks of embeded system various embeded development strategies

*embedded system pdf notes syllabus b tech 2023* - Oct 16 2023

web jul 3 2020 embedded system subject is included inb tech ece eee so students can able to download embedded system notes for b tech ece eee 4th year and embedded system notes for b tech ece eee 7th semester table of content 1 embedded system syllabus 2 embedded system notes pdf 3 embedded system notes

[embedded system subject notes for eee pdf pdf](#) - Jul 01 2022

web may 31 2023 right here we have countless book embedded system subject notes for eee pdf and collections to check out we additionally manage to pay for variant types and afterward type of the books to browse

[embedded system subject notes for eee pdf 2023](#) - Mar 29 2022

web apr 19 2023 employment interconnection and communication of embedded systems in heterogeneous environments how secure are these embedded systems against attacks or breakdowns therefore how can embedded systems be designed to be more secure how can embedded systems autonomically react to threats facing

**embedded system notes for eee orientation sutd edu** - Feb 08 2023

web embedded system design esd notes for exam preparations pdf free download classroom notes engineering exam notes previous year questions for engineering pdf free download electrical engineering interview questions and answers pdf free download for freshers amp experienced eee questions mcqs viva objective faqs

**ee8691 embedded systems regulation 2017 syllabus stucor** - May 31 2022

web may 12 2021 introduction to embedded systems structural units in embedded processor selection of processor memory devices dma memory management methods timer and counting devices watchdog timer real time clock in circuit emulator target hardware debugging

[eee notes pdf and study material free download btech geeks](#) - May 11 2023

web feb 20 2023 electrical and electronics engineering eee notes give graduates a head start of all the important topics and concepts as they will acquire the latest syllabus subject expert recommended reference books and list of

**lecture notes mrcet** - Apr 10 2023

web complexity purpose of embedded systems the embedded system design process requirements specification architecture design designing hardware and software components system integration applications of embedded systems and characteristics of embedded systems

**embedded system pdf notes syllabus b tech 2023** - Apr 29 2022

web jul 3 2020 in the above article a student bottle drive embedded system minutes for b tech ece eee 4th current the integrated system notes since boron tech etime eee 7th semester embedded system study material includes embedded system notes embedded system books embedding system schedule embedded system asked

*embedded system subject notes for eee* - Feb 25 2022

web embedded system subject notes for eee fasset skills development june 22nd 2018 essential embedded knowledge summarises the underlying these outcomes will not only refer to subject 80 transferred to fasset skills development levy ksz8567 ethernet switches microcontrollers and processors

**bascom avr** - Aug 02 2022

web download bascom avr for windows to compile your windows based ide and avr basic with 70 and debug programs windows c free user reviews 5 5 1 user votes 5

*pdf programming avr mcus using bascom crash* - Apr 10 2023

web it will especially help the readers who wish to write programs for the avr microcontroller in one of the most convenient language for beginners programmers bascom the book

*bascom avr tutorial* - Feb 25 2022

web there are various programmers for arduino avrdude is probably the most versatile bascom also supports the arduino stk500 v1 protocol the dtr rts lines are used

**bascom avr mcs electronics** - Aug 14 2023

web program 1 there are two ports on the 90s2313 avr microcontroller each pin on a port can be used as an input or an output information in the data direction register sets the

bascom avr programming - Apr 29 2022

web bascom programming of microcontrollers with ease yoruba divination from africa to the new world decision making and analysis practical microcontroller engineering with

**getting startet with bascom avr 5 steps instructables** - Oct 04 2022

web general description of the spi the spi allows high speed synchronous data transfer between the avr and peripheral devices or between several avr devices on most

bascom avr overview mcs wiki - Nov 24 2021atmel avr basic compiler bascom microcontrollershop com - Jul 01 2022

web aug 30 2021 this book will not only show you how to program avr microcontrollers with bascom avr software but it will

also show you microcontroller hardware which with  
[bascom avr programming mcs electronics](#) - Oct 16 2023

web bascom avr programming with practical applications is a perfect book for students and beginners wanting to learn to program with atmel mcu s and the proven mcs  
[downloads mcs electronics](#) - Sep 03 2022

web nov 13 2023 bascom avr is an integrated development environment that includes a basic compiler for the atmel avr microcontroller family editor avr simulator and in

**programming in bascom avr** - Jul 13 2023

web jul 19 2012 bascom avr in conjunction with avr microcontrollers is a winning combination when designing a simple but very powerful i2c analyser other projects

**bascom avr in examples pl mcs electronics** - Feb 08 2023

web the programming of microcontrollers using bascom 8051 version 2 0 4 0 and bascom avr version 1 11 3 0 will be described in this book some applications help

[bascom avr programming with practical projects](#) - Jun 12 2023

web introduction dear reader in front of you is a book well not just a book but more than that this book will not only show you how to program avr microcontrollers with bascom

*download bascom avr apponic* - Jan 27 2022

web bascom avr overview bascom avr is the original windows basic compiler for the avr family it is designed to run on xp vista win7 and win8 this product

**bascom programming of microcontrollers with ease an** - Dec 06 2022

web getting startet with bascom avr step 1 installation of bascom and setup download the file and install bascom avr install all parts of it including step 2 let s take a closer

[bascom avr free download and software reviews cnet](#) - May 31 2022

web oct 25 2020 langkah 1 buka software bascom avr start all program mcs electronics bascom avr atau dapat juga dengan double click icon software

**bascom avr mcs elec** - Mar 09 2023

web bascom avr is the original windows basic compiler for the avr family written by mcs electronics it is designed to run on w95 w98 nt w2000 xp vista w7 bascom

*getting started with atmel avr and bascom* - Sep 15 2023

web from the standpoint of the ide programming software the bascom is much easier to install and implement than

something like the avr studio i installed bascom typed in

[bascom avr mcs wiki avr](#) - Jan 07 2023

web the programming aspect of the book focuses on the widely popular bascom avr compiler which is a very user friendly basic compiler ide developed in the netherlands

[cara menggunakan bascom avr robotics university](#) - Mar 29 2022

web sep 17 2010 download bascom avr windows based ide and bascom avr basic compiler the avr family micro controllers windows mac android top downloads

**bascom avr programming usa mcs elec** - May 11 2023

web version 2 0 8 6 document build 100 mcs electronics may update this documentation without notice products specification and usage may change accordingly mcs

**arduino bascom avr** - Dec 26 2021

**bascom avr programming by jurij mikeln goodreads** - Nov 05 2022

web details setupio zip hot 2016 07 11 setupio zip hits 8075 download details msimg32 hot 2007 09 28 this file is only needed for some older windows like w95 and w98 if you