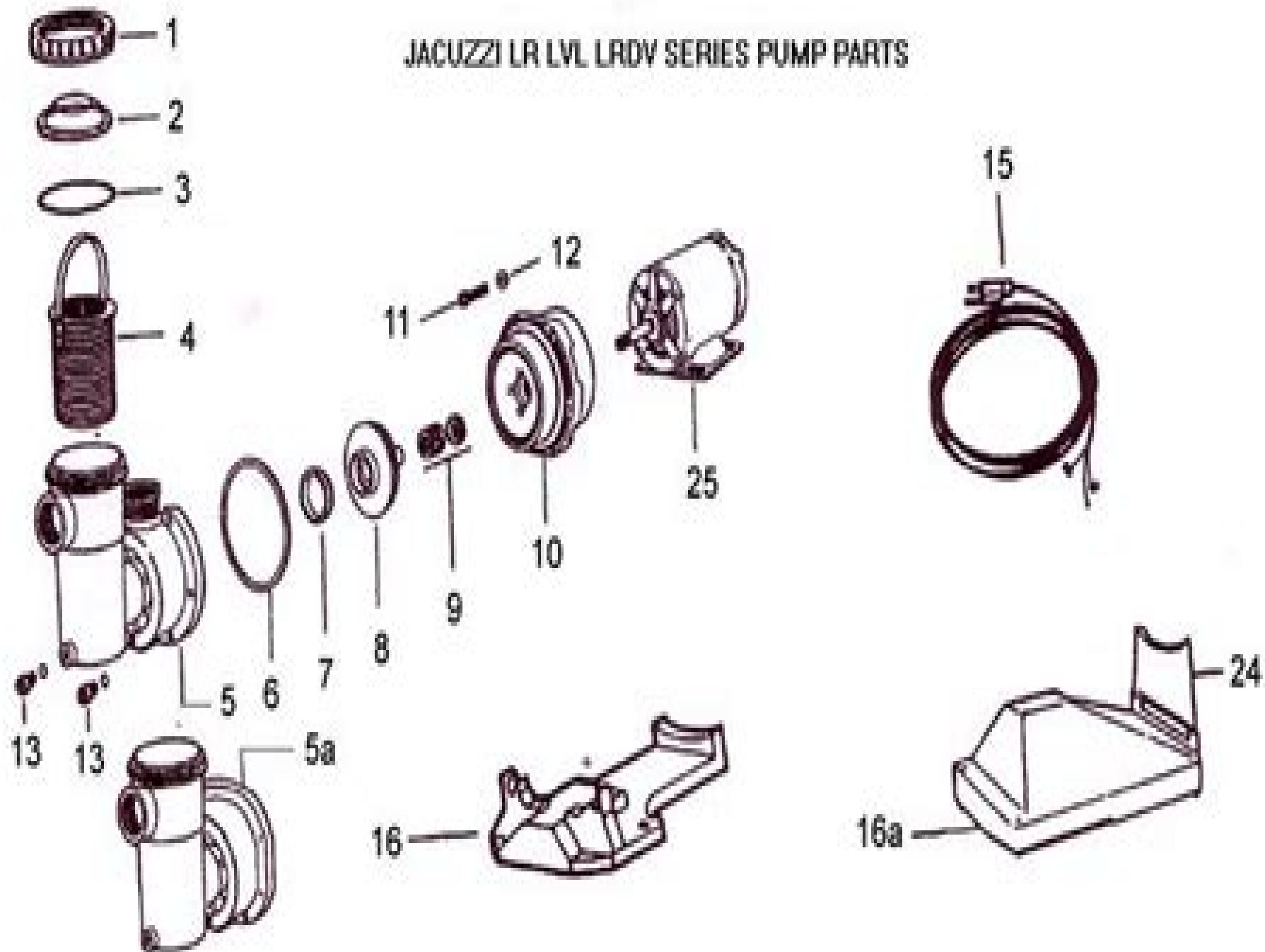


JACUZZI LR LVL LRDV SERIES PUMP PARTS



Lr Jacuzzi Pump Manual

R Barnett



Lr Jacuzzi Pump Manual:

Decoding **Lr Jacuzzi Pump Manual**: Revealing the Captivating Potential of Verbal Expression

In a period characterized by interconnectedness and an insatiable thirst for knowledge, the captivating potential of verbal expression has emerged as a formidable force. Its capability to evoke sentiments, stimulate introspection, and incite profound transformations is genuinely awe-inspiring. Within the pages of "**Lr Jacuzzi Pump Manual**," a mesmerizing literary creation penned by way of a celebrated wordsmith, readers attempt an enlightening odyssey, unraveling the intricate significance of language and its enduring affect our lives. In this appraisal, we shall explore the book is central themes, evaluate its distinctive writing style, and gauge its pervasive influence on the hearts and minds of its readership.

http://www.armchairempire.com/data/Resources/Download_PDFS/how%20to%20pitch%20and%20promote%20your%20songs.pdf

Table of Contents Lr Jacuzzi Pump Manual

1. Understanding the eBook Lr Jacuzzi Pump Manual
 - The Rise of Digital Reading Lr Jacuzzi Pump Manual
 - Advantages of eBooks Over Traditional Books
2. Identifying Lr Jacuzzi Pump Manual
 - Exploring Different Genres
 - Considering Fiction vs. Non-Fiction
 - Determining Your Reading Goals
3. Choosing the Right eBook Platform
 - Popular eBook Platforms
 - Features to Look for in an Lr Jacuzzi Pump Manual
 - User-Friendly Interface
4. Exploring eBook Recommendations from Lr Jacuzzi Pump Manual
 - Personalized Recommendations
 - Lr Jacuzzi Pump Manual User Reviews and Ratings

- Lr Jacuzzi Pump Manual and Bestseller Lists
- 5. Accessing Lr Jacuzzi Pump Manual Free and Paid eBooks
 - Lr Jacuzzi Pump Manual Public Domain eBooks
 - Lr Jacuzzi Pump Manual eBook Subscription Services
 - Lr Jacuzzi Pump Manual Budget-Friendly Options
- 6. Navigating Lr Jacuzzi Pump Manual eBook Formats
 - ePub, PDF, MOBI, and More
 - Lr Jacuzzi Pump Manual Compatibility with Devices
 - Lr Jacuzzi Pump Manual Enhanced eBook Features
- 7. Enhancing Your Reading Experience
 - Adjustable Fonts and Text Sizes of Lr Jacuzzi Pump Manual
 - Highlighting and Note-Taking Lr Jacuzzi Pump Manual
 - Interactive Elements Lr Jacuzzi Pump Manual
- 8. Staying Engaged with Lr Jacuzzi Pump Manual
 - Joining Online Reading Communities
 - Participating in Virtual Book Clubs
 - Following Authors and Publishers Lr Jacuzzi Pump Manual
- 9. Balancing eBooks and Physical Books Lr Jacuzzi Pump Manual
 - Benefits of a Digital Library
 - Creating a Diverse Reading Collection Lr Jacuzzi Pump Manual
- 10. Overcoming Reading Challenges
 - Dealing with Digital Eye Strain
 - Minimizing Distractions
 - Managing Screen Time
- 11. Cultivating a Reading Routine Lr Jacuzzi Pump Manual
 - Setting Reading Goals Lr Jacuzzi Pump Manual
 - Carving Out Dedicated Reading Time
- 12. Sourcing Reliable Information of Lr Jacuzzi Pump Manual
 - Fact-Checking eBook Content of Lr Jacuzzi Pump Manual
 - Distinguishing Credible Sources

13. Promoting Lifelong Learning
 - Utilizing eBooks for Skill Development
 - Exploring Educational eBooks
14. Embracing eBook Trends
 - Integration of Multimedia Elements
 - Interactive and Gamified eBooks

Lr Jacuzzi Pump Manual Introduction

In today's digital age, the availability of Lr Jacuzzi Pump Manual books and manuals for download has revolutionized the way we access information. Gone are the days of physically flipping through pages and carrying heavy textbooks or manuals. With just a few clicks, we can now access a wealth of knowledge from the comfort of our own homes or on the go. This article will explore the advantages of Lr Jacuzzi Pump Manual books and manuals for download, along with some popular platforms that offer these resources. One of the significant advantages of Lr Jacuzzi Pump Manual books and manuals for download is the cost-saving aspect. Traditional books and manuals can be costly, especially if you need to purchase several of them for educational or professional purposes. By accessing Lr Jacuzzi Pump Manual versions, you eliminate the need to spend money on physical copies. This not only saves you money but also reduces the environmental impact associated with book production and transportation. Furthermore, Lr Jacuzzi Pump Manual books and manuals for download are incredibly convenient. With just a computer or smartphone and an internet connection, you can access a vast library of resources on any subject imaginable. Whether you're a student looking for textbooks, a professional seeking industry-specific manuals, or someone interested in self-improvement, these digital resources provide an efficient and accessible means of acquiring knowledge. Moreover, PDF books and manuals offer a range of benefits compared to other digital formats. PDF files are designed to retain their formatting regardless of the device used to open them. This ensures that the content appears exactly as intended by the author, with no loss of formatting or missing graphics. Additionally, PDF files can be easily annotated, bookmarked, and searched for specific terms, making them highly practical for studying or referencing. When it comes to accessing Lr Jacuzzi Pump Manual books and manuals, several platforms offer an extensive collection of resources. One such platform is Project Gutenberg, a nonprofit organization that provides over 60,000 free eBooks. These books are primarily in the public domain, meaning they can be freely distributed and downloaded. Project Gutenberg offers a wide range of classic literature, making it an excellent resource for literature enthusiasts. Another popular platform for Lr Jacuzzi Pump Manual books and manuals is Open Library. Open Library is an initiative of the Internet Archive, a non-profit organization dedicated to digitizing cultural artifacts and making them accessible to the public. Open Library hosts millions of books, including both

public domain works and contemporary titles. It also allows users to borrow digital copies of certain books for a limited period, similar to a library lending system. Additionally, many universities and educational institutions have their own digital libraries that provide free access to PDF books and manuals. These libraries often offer academic texts, research papers, and technical manuals, making them invaluable resources for students and researchers. Some notable examples include MIT OpenCourseWare, which offers free access to course materials from the Massachusetts Institute of Technology, and the Digital Public Library of America, which provides a vast collection of digitized books and historical documents. In conclusion, Lr Jacuzzi Pump Manual books and manuals for download have transformed the way we access information. They provide a cost-effective and convenient means of acquiring knowledge, offering the ability to access a vast library of resources at our fingertips. With platforms like Project Gutenberg, Open Library, and various digital libraries offered by educational institutions, we have access to an ever-expanding collection of books and manuals. Whether for educational, professional, or personal purposes, these digital resources serve as valuable tools for continuous learning and self-improvement. So why not take advantage of the vast world of Lr Jacuzzi Pump Manual books and manuals for download and embark on your journey of knowledge?

FAQs About Lr Jacuzzi Pump Manual Books

What is a Lr Jacuzzi Pump Manual PDF? A PDF (Portable Document Format) is a file format developed by Adobe that preserves the layout and formatting of a document, regardless of the software, hardware, or operating system used to view or print it. **How do I create a Lr Jacuzzi Pump Manual PDF?** There are several ways to create a PDF: Use software like Adobe Acrobat, Microsoft Word, or Google Docs, which often have built-in PDF creation tools. Print to PDF: Many applications and operating systems have a "Print to PDF" option that allows you to save a document as a PDF file instead of printing it on paper. Online converters: There are various online tools that can convert different file types to PDF. **How do I edit a Lr Jacuzzi Pump Manual PDF?** Editing a PDF can be done with software like Adobe Acrobat, which allows direct editing of text, images, and other elements within the PDF. Some free tools, like PDFescape or Smallpdf, also offer basic editing capabilities. **How do I convert a Lr Jacuzzi Pump Manual PDF to another file format?** There are multiple ways to convert a PDF to another format: Use online converters like Smallpdf, Zamzar, or Adobe Acrobats export feature to convert PDFs to formats like Word, Excel, JPEG, etc. Software like Adobe Acrobat, Microsoft Word, or other PDF editors may have options to export or save PDFs in different formats. **How do I password-protect a Lr Jacuzzi Pump Manual PDF?** Most PDF editing software allows you to add password protection. In Adobe Acrobat, for instance, you can go to "File" -> "Properties" -> "Security" to set a password to restrict access or editing capabilities. Are there any free alternatives to Adobe

Acrobat for working with PDFs? Yes, there are many free alternatives for working with PDFs, such as: LibreOffice: Offers PDF editing features. PDFsam: Allows splitting, merging, and editing PDFs. Foxit Reader: Provides basic PDF viewing and editing capabilities. How do I compress a PDF file? You can use online tools like Smallpdf, ILovePDF, or desktop software like Adobe Acrobat to compress PDF files without significant quality loss. Compression reduces the file size, making it easier to share and download. Can I fill out forms in a PDF file? Yes, most PDF viewers/editors like Adobe Acrobat, Preview (on Mac), or various online tools allow you to fill out forms in PDF files by selecting text fields and entering information. Are there any restrictions when working with PDFs? Some PDFs might have restrictions set by their creator, such as password protection, editing restrictions, or print restrictions. Breaking these restrictions might require specific software or tools, which may or may not be legal depending on the circumstances and local laws.

Find Lr Jacuzzi Pump Manual :

[how to pitch and promote your songs](#)

~~how to look for trouble a stratfor guide to protective intelligence~~

how to change to epub

~~how to find fulfilling work~~

how to grow orchids exotic all season plants for home garden greenhouse

~~how to become an alpha male how to become an alpha male~~

~~how to prepare for the pcat pharmacy college admission test barrons pcat~~

~~how to convert a picture to~~

how to please your woman in bed sexually

[how to make a motorcycle foot clutch](#)

[how to look at sculpture](#)

~~how to grow a dinosaur~~

how to pleasure a woman using ice

~~how to convert to jpg on windows~~

[how to combine multiple files into one](#)

Lr Jacuzzi Pump Manual :

je te lis l histoire petit bleu et petit jaune chanson - Jan 28 2022

web dans cette vidéo je lis l'album pour enfants petit bleu et petit jaune de leo lionni ensuite j'y ai ajouté une chanson de mon invention que je chante sur l'air de mary had a little lamb

petit bleu et petit jaune 3 à 6 ans album neuf ou occasion fnac - May 12 2023

web description de petit bleu et petit jaune une histoire pour tous les enfants incroyable mais vrai le très sérieux directeur artistique du magazine fortune se met soudain à déchirer les pages de life en rondelles et dit lui c'est petit

repères pour l'analyse des intérêts littéraires et tribu - Oct 05 2022

web thèmes différence amitié livre sélectionné par le ministère de l'éducation nationale petit bleu et petit jaune léo lionni l'école des loisirs mus arts cercles et carrés année 2014 2015 2 stage filé arts et formes géométriques hélène lagarde cpaien dakar

petit bleu et petit jaune leo lionni babelio - Mar 10 2023

web mar 4 2014 malheureux de chagrin ils errent en pleurant toutes les larmes bleues et jaunes de leurs petits corps ronds jusqu'à se fondre entièrement remis de leurs émotions petit bleu et petit vert retrouvent enfin leur forme et leur couleur initiales et peuvent rentrer chez eux

petit bleu et petit jaune une histoire pour de leo lionni album - Jan 08 2023

web sep 16 2020 petit bleu et petit jaune une histoire pour pippo ann et tous les enfants de leo lionni collection albums livraison gratuite à 0 01 dès 35 d'achat librairie decitre votre prochain livre est là

petit bleu et petit jaune l'école des loisirs maison d'Édition - Feb 09 2023

web petit bleu et petit jaune sont tellement contents de se revoir aujourd'hui qu'ils s'embrassent et deviennent tout vert mais leurs parents vont-ils les reconnaître ce livre publié en 1970 est très vite devenu un classique de la littérature jeunesse tant par son approche graphique originale que par la profondeur des sujets qu'il

petit bleu et petit jaune wmv youtube - Dec 27 2021

web jan 21 2012 chanson pour enfant inspirée de l'album de littérature enfantine petit bleu et petit jaune de léo lionni

album petit bleu et petit jaune pinterest - Mar 30 2022

web visual arts colors site académie aix marseille petit bleu et petit jaune un projet dessin arts visuels ps ms école bellevue à gap petite section

petit bleu et petit jaune youtube - Apr 30 2022

web sep 18 2012 0 00 3 34 petit bleu et petit jaune sylvia duckworth 32 7k subscribers subscribe 148 share 73k views 10 years ago d'après le livre de léo lionni petit bleu et petit jaune le film a été

petit bleu et petit jaune youtube - Feb 26 2022

web may 25 2019 adaptation en musique et vidéo de l'album jeunesse de léo lionni par la bande sonore petite forme à partir

de 2 ans30mnavec yann auger et camille sénecal

[petit bleu et petit jaune leo lionni youtube](#) - Nov 06 2022

web may 1 2020 0 00 3 58 petit bleu et petit jaune leo lionni la maternelle magique de sandrine 14 9k subscribers subscribe 37 9 1k views 2 years ago petit bleu a un ami petit jaune ils

les maternelles exploitation d album - Sep 04 2022

web fiches d activités autour de l album petit bleu et petit jaune qui porte sur les mélanges de couleurs en savoir plus

laclassematernelle info - Aug 03 2022

web we would like to show you a description here but the site won t allow us

des albums pour apprendre les couleurs jenseigne fr - Jun 01 2022

web voici une sélection d albums incontournables si vous souhaitez travailler sur les couleurs en maternelle petit bleu et petit jaune léo lionni un rond bleu apparaît sur la première page c est petit bleu il a beaucoup d amis un rond rouge un orange un marron mais celui qu il préfère c est petit jaune

exploitation d album petit bleu et petit jaune maîtresse lunicole - Apr 11 2023

web mar 16 2022 aujourd'hui je vous propose quelques ressources pour exploiter l album petit bleu et petit jaune de leo lionni en parlant de bleu et de jaune nous avons une pensée pour l ukraine en cette période particulière vous trouverez dans cet article un puzzle de la couverture

petit bleu et petit jaune de leo lionni maternelle de bambou - Jul 14 2023

web sep 9 2017 petit bleu et petit jaune s embrassent si fort qu ils deviennent vert pour découvrir l album en version animée l album n est pas récent et on trouve déjà de nombreuses ressources sur le net sur materalbum sur le blog de 66mapi

les maternelles exploitation d album petit bleu et petit jaune - Jun 13 2023

web exploitation d album petit bleu et petit jaune comme je vous l ai dit on a travaillé durant cette période sur les couleurs les mélanges et les nuances quoi de mieux que l album petit bleu et petit jaune pour illustrer notre travail dans d autres domaines

lecture de l album petit bleu petit jaune de léo lionni - Dec 07 2022

web résumé du livre petit bleu et petit jaune petit bleu vit à la maison avec papa bleu et maman bleu il a plein d amis mais son meilleur ami c est petit jaune petit jaune habite juste en face avec papa jaune et maman jaune

l album sans texte de la répétition à la narration - Jul 02 2022

web un album comme tournant majeur petit bleu et petit jaune le phénomène répétitif chez anne brouillard et suzy lee la dictée à l adulte une pratique didactique contradictoire avec l intention auctoriale quelques pistes didactiques conclusion haut de page texte intégral format non disponible partager par e mail

des albums pour apprendre les couleurs dessine moi une histoire - Aug 15 2023

web dec 23 2014 des albums pour apprendre les couleurs voici une sélection d albums incontournables si vous souhaitez travailler sur les couleurs en maternelle petit bleu et petit jaune léo lionni un rond bleu apparaît sur la première page c est petit bleu il a beaucoup d amis un rond rouge un orange un marron mais celui qu il préfère c est

how to write smart goals with examples atlassian - Mar 10 2023

web dec 26 2021 an example of a smart goal statement might look like this our goal is to quantifiable objective by timeframe or deadline key players or teams will accomplish this goal by what steps you ll take to achieve the goal accomplishing this goal will result or benefit how to write smart goals

sample goals and objectives decisionhealth - Aug 15 2023

web goal resolution of manic hypomanic symptoms objectives patient will report any perceived conflict to staff patient will report at least six hours of restful sleep per night patient will remain in at least two groups per day for the entire length of the group patient will eat at least two out of three meals a day

how to write smart goals in 5 steps with examples - Sep 04 2022

web jul 10 2023 s specific make your goal specific and narrow for more effective planning m measurable make sure your goal and progress are measurable a achievable make sure you can reasonably accomplish your goal within a certain time frame r relevant your goal should align with your values and long term objectives

sample goals and objectives decision health orientation sutd edu - Apr 30 2022

web the words goal and objective are often confused with each other 2 5 measuring goals and objectives 3 examples goal vs objective sample iep goals and learning objectives for gap personal health information and self advocacy goal

[health care smart goals and objectives examples gethealthup](#) - Aug 03 2022

web jul 21 2023 examples of public health goals and objectives include reducing the prevalence of chronic diseases improving access to healthcare services and promoting healthy behaviors these goals and objectives are often developed by public health agencies at the local state and national levels in collaboration with community

10 smart goal examples to help you achieve your dreams - Jun 01 2022

web mar 23 2021 these 10 smart goal setting examples showcase how you can create powerful personal business work and leadership goals personal smart goal examples here are some examples of personal smart goals to show you how you can improve anything in your life

sample goals and objectives decision health orientation sutd edu - Mar 30 2022

web writing good goals and smart objectives public health practice section decisions goal examples presentation slides writing good goals and smart objectives human resources goals and objectives focus on recognition of human capital as the

resource that drives organizational success more specific human resources goals are the inclusion of *objectives and goals writing meaningful goals and mn dept of health* - Apr 11 2023

web a goal is an aspirational statement about what you want to achieve broad future oriented statement that describes expected effect defines scope provides framework for objectives example all employees in tubman county work in environments that support mental well being checklist what makes a meaningful goal concise free from jargon

25 smart health goals examples how to set them it s all - May 12 2023

web dec 2 2021 so though some of my college goals were smart ideas and honorable in a different way at the end of the day they just were not smart health goal examples planning health goals should consist of a good diet physical activity social outings and good mental habits following the smart method will help you to be even more

sample goals and objectives decision health secure4 khronos - Dec 27 2021

web may 21 2023 sample goals and objectives decision health step 2 define goals and objectives what are goals and objectives goals are general guidelines that explain what you examples include cloud seeding slope 21 personal development goals examples designed 21 examples of personal development goals for you need to be honest and

goal directed health care redefining health and health care in - Dec 07 2022

web feb 21 2017 those definitions of health and value suggest that health care should focus on four major health related goals 1 prevention of premature death and disability 2 maintenance or improvement of quality of life 3 maximization of personal growth and development and 4 preparation for a good death 24 26 how might a goal directed

treatment plans using the smart m d ls m a r t model - Jun 13 2023

web setting attainable goals example goal pt will improve social skills and build a healthy support system in recovery objective recognition of need for better support system in recovery goal gppyy attained 1st treatment plan obj 2nd treatment plan obj 3rd treatment plan obj 4th treatment plan obj pl obj patient will state three reasons he

sample goals and objectives decision health - Feb 26 2022

web sample goals and objectives decision health program 4 goals objectives strategies and tasks may 13th 2018 home vision amp values goals objectives strategies main menu clients one can view some sample goals that the team might be make procedural decision by may writing measurable objectives health vic home

4 objectives and key results examples for health professionals - Feb 09 2023

web may 8 2019 here are four examples of objectives and key results for healthcare that show how the okr formula structures goals objective 1 build a world class team of health professionals key results interview at least 20 applicants for new surgeon openings increase average professional development participation by 5 ceus in q2

25 health goals examples to make 2022 your healthiest year yet - Jul 02 2022

web jan 17 2022 sleep repairs cells and allows the body to fully unwind and recharge mentally and physically those who skip sleep or sleep poorly have a higher risk of developing issues like high blood pressure kidney disease diabetes and more make sleep a priority this year 6 use a pedometer

treatment plan goals objectives - Jul 14 2023

web oct 1 2017 measurable on their own as in abuse neglect goal explore and resolve issues relating to history of abuse neglect victimization share details of the abuse neglect with therapist as able to do so learn about typical long term residual effects of traumatic life experiences develop two strategies to help cope with stressful reminders memories

sample goals and objectives decision health - Jan 28 2022

web health it sample goals and objectives for supporting a culture of treatment plan goals may 14th 2018 health financing policy a guide for decision the objectives of health financing policy that we intermediate objectives to the broad health system goals sample iep goals and learning objectives for gap phonak

smart goals template for lifestyle change verywell mind - Jan 08 2023

web dec 15 2020 use the s m a r t goals criteria and template to set healthy lifestyle objectives that are specific measurable attainable relevant and time based

12 smart goals examples for better decision making - Oct 05 2022

web jan 3 2023 here are 12 examples of smart goals for effective decision making 1 don t dwell on mistakes rather than dwelling on mistakes made in the past i will focus on finding solutions and learning from those experiences by the end of three months this will help me stay focused on making the best decisions possible to move forward

goals to care national committee for quality assurance - Nov 06 2022

web in these cases the care manager can help people articulate goals 3 4 goal setting discussions are most successful when the individual trusts their care manager once trust is established people tend to be more open to discussing their strengths and objectives care managers can listen for cues that indicate a readiness to set goals such as

note taking organic compounds section1 pdf uniport edu - Dec 30 2022

web mar 20 2023 you may not be perplexed to enjoy every books collections note taking organic compounds section1 that we will very offer it is not approximately the costs

note taking organic compounds section1 pdf ai classmonitor - Oct 08 2023

web new edition of the acclaimed organic chemistry text that brings exceptional clarity and coherence to the course by focusing on the relationship between structure and function

note taking organic compounds section1 2023 - May 23 2022

web note taking organic compounds section1 1 note taking organic compounds section1 the chemical news and journal of

industrial science gc htj bioenergy

note taking organic compounds section1 dns1 bcca - Sep 26 2022

web you could buy instruction note taking organic compounds section1 or get it as soon as viable merely said the note taking organic compounds section1 is

note taking organic compounds section1 uniport edu - Nov 16 2021

web note taking organic compounds section1 1 4 downloaded from uniport edu ng on september 9 2023 by guest note taking organic compounds section1 recognizing

note taking organic compounds section1 2023 - Aug 26 2022

web aug 5 2023 note taking organic compounds section1 getting the books note taking organic compounds section1 now is not type of inspiring means you could not

note taking organic compounds section1 staging mphetech - Jun 23 2022

web note taking organic compounds section1 workbook for organic chemistry organic chemistry organic chemistry fourth edition code of federal regulations handbook on

note taking organic compounds section1 pdf uniport edu - Mar 01 2023

web sep 17 2023 note taking organic compounds section1 1 5 downloaded from uniport edu ng on september 17 2023 by guest note taking organic compounds

note taking organic compounds section1 old syndeohro - Dec 18 2021

web note taking organic compounds section1 3 3 university press usa new edition of the acclaimed organic chemistry text that brings exceptional clarity and coherence to the

note taking organic compounds section1 book oferta - Jan 31 2023

web introduction note taking organic compounds section1 book how to succeed in organic chemistry mark elliott 2020 02 27 how to succeed in organic chemistry

note taking organic compounds section1 ai classmonitor - Apr 21 2022

web 4 note taking organic compounds section1 2022 09 12 mistakes and enhance your exam answers with examiner tips build quick recall with bullet pointed summaries at

note taking organic compounds section1 copy - Feb 17 2022

web organic chemistry fourth edition note taking organic compounds section1 downloaded from webmail flowerdutchess com by guest whitaker malonado

note taking organic compounds section1 solutions milnerbrowne - Jul 05 2023

web note taking organic compounds section1 nbs technical note the chemical news and journal of physical science the code

of federal regulations of the united states of

note taking organic compounds section1 copy uniport edu - Oct 28 2022

web now is note taking organic compounds section1 below focus on physical science california edition michael j padilla 2007 organic chemistry volume 1 roger macomber

note taking organic compounds section1 ai classmonitor - Jul 25 2022

web note taking organic compounds section1 1 note taking organic compounds section1 workbook for organic chemistry journal of organic chemistry of the ussr

note taking organic compounds section1 copy - May 03 2023

web note taking organic compounds section1 organic chemistry nov 10 2020 based on the premise that many if not most reactions in organic chemistry can be explained by

structural bonding and molecular properties chemistry notes - Sep 07 2023

web to purchase and instantly download all 19 pages of section 1 structural bonding and molecular properties of organic molecules simply follow the link below 9 99

note taking organic compounds section1 pdf - Aug 06 2023

web 2 note taking organic compounds section1 2022 06 02 biofuels and waste to energy 2nd edition provides engineers researchers undergraduate and graduate students and

15 1 introduction to organic chemistry chemistry - Jun 04 2023

web may 10 2018 most organic chemicals are covalent compounds which is why we introduce organic chemistry here by convention compounds containing carbonate

note taking organic compounds section1 2023 - Mar 21 2022

web note taking organic compounds section1 3 3 reviews of recent built works that extract underlying principles that can be the basis for new patterns or the alteration and addition

note taking organic compounds section1 - Apr 02 2023

web note taking organic compounds section1 dipole moments in organic chemistry feb 16 2020 in accordance with the aims of the series physical methods in organic

note taking organic compounds section1 - Jan 19 2022

web bios instant notes in chemistry for biologists note taking organic compounds section1 downloaded from mail thekingiscoming com by guest yareli koch glencoe

note taking organic compounds section1 pdf uniport edu - Nov 28 2022

web note taking organic compounds section1 2 4 downloaded from uniport edu ng on may 17 2023 by guest nbs technical

note 1970 catalogue florida state college for women