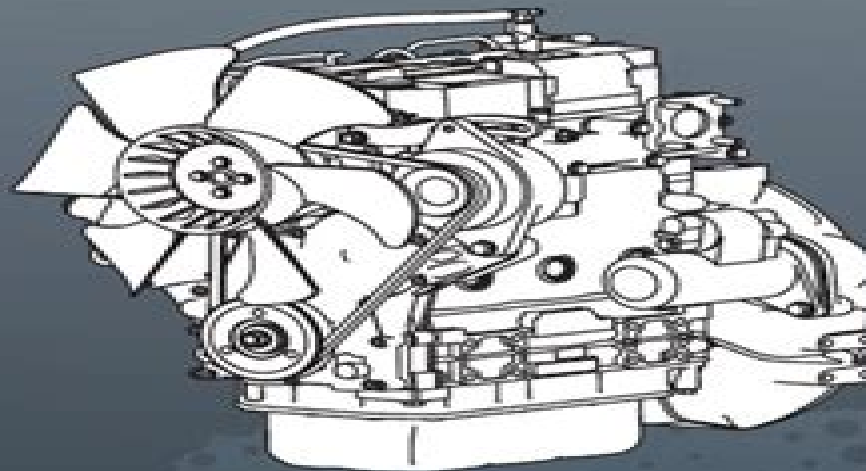


MOTOR 4TNE92 - 4TNE98

45 - 63 hp

Repair manual



Lincon Navegeitor 98 Repair Manual

Yi-Tong Ma



Lincon Navegeitor 98 Repair Manual:

The Top Books of the Year Lincon Navegeitor 98 Repair Manual The year 2023 has witnessed a remarkable surge in literary brilliance, with numerous engrossing novels captivating the hearts of readers worldwide. Lets delve into the realm of bestselling books, exploring the captivating narratives that have enthralled audiences this year. Lincon Navegeitor 98 Repair Manual : Colleen Hoover's "It Ends with Us" This heartfelt tale of love, loss, and resilience has captivated readers with its raw and emotional exploration of domestic abuse. Hoover expertly weaves a story of hope and healing, reminding us that even in the darkest of times, the human spirit can triumph. Uncover the Best : Taylor Jenkins Reids "The Seven Husbands of Evelyn Hugo" This intriguing historical fiction novel unravels the life of Evelyn Hugo, a Hollywood icon who defies expectations and societal norms to pursue her dreams. Reids captivating storytelling and compelling characters transport readers to a bygone era, immersing them in a world of glamour, ambition, and self-discovery. Lincon Navegeitor 98 Repair Manual : Delia Owens "Where the Crawdads Sing" This captivating coming-of-age story follows Kya Clark, a young woman who grows up alone in the marshes of North Carolina. Owens spins a tale of resilience, survival, and the transformative power of nature, captivating readers with its evocative prose and mesmerizing setting. These popular novels represent just a fraction of the literary treasures that have emerged in 2023. Whether you seek tales of romance, adventure, or personal growth, the world of literature offers an abundance of captivating stories waiting to be discovered. The novel begins with Richard Papen, a bright but troubled young man, arriving at Hampden College. Richard is immediately drawn to the group of students who call themselves the Classics Club. The club is led by Henry Winter, a brilliant and charismatic young man. Henry is obsessed with Greek mythology and philosophy, and he quickly draws Richard into his world. The other members of the Classics Club are equally as fascinating. Bunny Corcoran is a wealthy and spoiled young man who is always looking for a good time. Charles Tavis is a quiet and reserved young man who is deeply in love with Henry. Camilla Macaulay is a beautiful and intelligent young woman who is drawn to the power and danger of the Classics Club. The students are all deeply in love with Morrow, and they are willing to do anything to please him. Morrow is a complex and mysterious figure, and he seems to be manipulating the students for his own purposes. As the students become more involved with Morrow, they begin to commit increasingly dangerous acts. The Secret History is a brilliant and gripping novel that will keep you speculating until the very end. The novel is a cautionary tale about the dangers of obsession and the power of evil.

<http://www.armchairempire.com/book/uploaded-files/HomePages/John%20Deere%20336%20Baler%20Service%20Manual.pdf>

Table of Contents Lincon Navegeitor 98 Repair Manual

1. Understanding the eBook Lincon Navegeitor 98 Repair Manual
 - The Rise of Digital Reading Lincon Navegeitor 98 Repair Manual
 - Advantages of eBooks Over Traditional Books
2. Identifying Lincon Navegeitor 98 Repair Manual
 - Exploring Different Genres
 - Considering Fiction vs. Non-Fiction
 - Determining Your Reading Goals
3. Choosing the Right eBook Platform
 - Popular eBook Platforms
 - Features to Look for in an Lincon Navegeitor 98 Repair Manual
 - User-Friendly Interface
4. Exploring eBook Recommendations from Lincon Navegeitor 98 Repair Manual
 - Personalized Recommendations
 - Lincon Navegeitor 98 Repair Manual User Reviews and Ratings
 - Lincon Navegeitor 98 Repair Manual and Bestseller Lists
5. Accessing Lincon Navegeitor 98 Repair Manual Free and Paid eBooks
 - Lincon Navegeitor 98 Repair Manual Public Domain eBooks
 - Lincon Navegeitor 98 Repair Manual eBook Subscription Services
 - Lincon Navegeitor 98 Repair Manual Budget-Friendly Options
6. Navigating Lincon Navegeitor 98 Repair Manual eBook Formats
 - ePub, PDF, MOBI, and More
 - Lincon Navegeitor 98 Repair Manual Compatibility with Devices
 - Lincon Navegeitor 98 Repair Manual Enhanced eBook Features
7. Enhancing Your Reading Experience
 - Adjustable Fonts and Text Sizes of Lincon Navegeitor 98 Repair Manual
 - Highlighting and Note-Taking Lincon Navegeitor 98 Repair Manual
 - Interactive Elements Lincon Navegeitor 98 Repair Manual
8. Staying Engaged with Lincon Navegeitor 98 Repair Manual

- Joining Online Reading Communities
 - Participating in Virtual Book Clubs
 - Following Authors and Publishers Lincon Navegeitor 98 Repair Manual
9. Balancing eBooks and Physical Books Lincon Navegeitor 98 Repair Manual
- Benefits of a Digital Library
 - Creating a Diverse Reading Collection Lincon Navegeitor 98 Repair Manual
10. Overcoming Reading Challenges
- Dealing with Digital Eye Strain
 - Minimizing Distractions
 - Managing Screen Time
11. Cultivating a Reading Routine Lincon Navegeitor 98 Repair Manual
- Setting Reading Goals Lincon Navegeitor 98 Repair Manual
 - Carving Out Dedicated Reading Time
12. Sourcing Reliable Information of Lincon Navegeitor 98 Repair Manual
- Fact-Checking eBook Content of Lincon Navegeitor 98 Repair Manual
 - Distinguishing Credible Sources
13. Promoting Lifelong Learning
- Utilizing eBooks for Skill Development
 - Exploring Educational eBooks
14. Embracing eBook Trends
- Integration of Multimedia Elements
 - Interactive and Gamified eBooks

Lincon Navegeitor 98 Repair Manual Introduction

In the digital age, access to information has become easier than ever before. The ability to download Lincon Navegeitor 98 Repair Manual has revolutionized the way we consume written content. Whether you are a student looking for course material, an avid reader searching for your next favorite book, or a professional seeking research papers, the option to download Lincon Navegeitor 98 Repair Manual has opened up a world of possibilities. Downloading Lincon Navegeitor 98 Repair Manual provides numerous advantages over physical copies of books and documents. Firstly, it is incredibly convenient. Gone are the days of carrying around heavy textbooks or bulky folders filled with papers. With the click of a

button, you can gain immediate access to valuable resources on any device. This convenience allows for efficient studying, researching, and reading on the go. Moreover, the cost-effective nature of downloading Lincon Navegeitor 98 Repair Manual has democratized knowledge. Traditional books and academic journals can be expensive, making it difficult for individuals with limited financial resources to access information. By offering free PDF downloads, publishers and authors are enabling a wider audience to benefit from their work. This inclusivity promotes equal opportunities for learning and personal growth. There are numerous websites and platforms where individuals can download Lincon Navegeitor 98 Repair Manual. These websites range from academic databases offering research papers and journals to online libraries with an expansive collection of books from various genres. Many authors and publishers also upload their work to specific websites, granting readers access to their content without any charge. These platforms not only provide access to existing literature but also serve as an excellent platform for undiscovered authors to share their work with the world. However, it is essential to be cautious while downloading Lincon Navegeitor 98 Repair Manual. Some websites may offer pirated or illegally obtained copies of copyrighted material. Engaging in such activities not only violates copyright laws but also undermines the efforts of authors, publishers, and researchers. To ensure ethical downloading, it is advisable to utilize reputable websites that prioritize the legal distribution of content. When downloading Lincon Navegeitor 98 Repair Manual, users should also consider the potential security risks associated with online platforms. Malicious actors may exploit vulnerabilities in unprotected websites to distribute malware or steal personal information. To protect themselves, individuals should ensure their devices have reliable antivirus software installed and validate the legitimacy of the websites they are downloading from. In conclusion, the ability to download Lincon Navegeitor 98 Repair Manual has transformed the way we access information. With the convenience, cost-effectiveness, and accessibility it offers, free PDF downloads have become a popular choice for students, researchers, and book lovers worldwide. However, it is crucial to engage in ethical downloading practices and prioritize personal security when utilizing online platforms. By doing so, individuals can make the most of the vast array of free PDF resources available and embark on a journey of continuous learning and intellectual growth.

FAQs About Lincon Navegeitor 98 Repair Manual Books

How do I know which eBook platform is the best for me? Finding the best eBook platform depends on your reading preferences and device compatibility. Research different platforms, read user reviews, and explore their features before making a choice. Are free eBooks of good quality? Yes, many reputable platforms offer high-quality free eBooks, including classics and public domain works. However, make sure to verify the source to ensure the eBook credibility. Can I read eBooks without an eReader? Absolutely! Most eBook platforms offer webbased readers or mobile apps that allow you to read

eBooks on your computer, tablet, or smartphone. How do I avoid digital eye strain while reading eBooks? To prevent digital eye strain, take regular breaks, adjust the font size and background color, and ensure proper lighting while reading eBooks. What the advantage of interactive eBooks? Interactive eBooks incorporate multimedia elements, quizzes, and activities, enhancing the reader engagement and providing a more immersive learning experience. Lincon Navegeitor 98 Repair Manual is one of the best book in our library for free trial. We provide copy of Lincon Navegeitor 98 Repair Manual in digital format, so the resources that you find are reliable. There are also many Ebooks of related with Lincon Navegeitor 98 Repair Manual. Where to download Lincon Navegeitor 98 Repair Manual online for free? Are you looking for Lincon Navegeitor 98 Repair Manual PDF? This is definitely going to save you time and cash in something you should think about. If you trying to find then search around for online. Without a doubt there are numerous these available and many of them have the freedom. However without doubt you receive whatever you purchase. An alternate way to get ideas is always to check another Lincon Navegeitor 98 Repair Manual. This method for see exactly what may be included and adopt these ideas to your book. This site will almost certainly help you save time and effort, money and stress. If you are looking for free books then you really should consider finding to assist you try this. Several of Lincon Navegeitor 98 Repair Manual are for sale to free while some are payable. If you arent sure if the books you would like to download works with for usage along with your computer, it is possible to download free trials. The free guides make it easy for someone to free access online library for download books to your device. You can get free download on free trial for lots of books categories. Our library is the biggest of these that have literally hundreds of thousands of different products categories represented. You will also see that there are specific sites catered to different product types or categories, brands or niches related with Lincon Navegeitor 98 Repair Manual. So depending on what exactly you are searching, you will be able to choose e books to suit your own need. Need to access completely for Campbell Biology Seventh Edition book? Access Ebook without any digging. And by having access to our ebook online or by storing it on your computer, you have convenient answers with Lincon Navegeitor 98 Repair Manual To get started finding Lincon Navegeitor 98 Repair Manual, you are right to find our website which has a comprehensive collection of books online. Our library is the biggest of these that have literally hundreds of thousands of different products represented. You will also see that there are specific sites catered to different categories or niches related with Lincon Navegeitor 98 Repair Manual So depending on what exactly you are searching, you will be able tochoose ebook to suit your own need. Thank you for reading Lincon Navegeitor 98 Repair Manual. Maybe you have knowledge that, people have search numerous times for their favorite readings like this Lincon Navegeitor 98 Repair Manual, but end up in harmful downloads. Rather than reading a good book with a cup of coffee in the afternoon, instead they juggled with some harmful bugs inside their laptop. Lincon Navegeitor 98 Repair Manual is available in our book collection an online access to it is set as public so you can download it instantly. Our digital library spans in multiple locations, allowing you to get the most less latency time to

download any of our books like this one. Merely said, Lincon Navegeitor 98 Repair Manual is universally compatible with any devices to read.

Find Lincon Navegeitor 98 Repair Manual :

[john deere 336 baler service manual](#)

john deere 535 round baler operator manual

~~john deer manual~~

[john deere 8875 service manual](#)

[john deere 520 service manual](#)

john deere 1219 parts manual

[john deere 1020 repair manual](#)

~~john deere 332 skid steer operators manual~~

[john deere 2250 manual](#)

~~john deere 7520 workshop manual~~

[john deere 6110 service manual](#)

john deere 330 baler manual

john deere 158 loader manual

~~john deere backhoe 310b~~

john deere 4105 owners manual

Lincon Navegeitor 98 Repair Manual :

bear wants to fly susanna isern google books - May 10 2023

web a strange news causes a great uproar in the forest bear has entrusted a dream to white owl flying an emotional tale about the benefits of teamwork and the importance of fighting for your

bear wants to fly by susanna isern silvia Álvarez hardcover - Apr 09 2023

web winner at the 2016 moonbeam children s book awards a strange news causes a great uproar in the forest bear has entrusted a dream to white owl

bear wants to fly isern susanna Álvarez silvia brokenbrow - Jun 30 2022

web hello sign in account lists returns orders cart

bear wants to fly book by susanna isern epic - Aug 13 2023

web bear wants to fly is the amazing news that has all of the forest animals talking some of them think it s impossible but why not give it a try br br i bear wants to fly i is an emotional tale about the benefits of working as a team and the importance of fighting for your dreams however impossible they may seem book info ages 5 7

pandas at national zoo s in dc are returning to china via fedex flight - Oct 03 2022

web nov 8 2023 1 42 the beloved giant pandas at washington dc s national zoo started their journey back to china on wednesday crated up and loaded into a special panda express fedex corp flight to

[bear wants to fly by susanna isern hardcover target](#) - Mar 08 2023

web bear wants to fly is an emotional tale about the benefits of working as a team and the importance of fighting for your dreams however impossible they may seem guided reading level o lexile level 690l book synopsis winner at the 2016 moonbeam children s book awards a strange news causes a great uproar in the forest

goggles the bear who dreamed of flying goggles first bear to fly - Dec 05 2022

web apr 11 2020 paperback 11 99 15 used from 1 67 2 new from 11 99 the heart warming story of a very small bear with a very big dream everyone tells him he is too little to fly but he always wears flying goggles just in case they change their minds which is why his family call him goggles

kids bear wants to fly national library board singapore - Oct 15 2023

web try refreshing the page if that doesn t work there may be a network issue and you can use our self test page to see what s preventing the page from loading learn more about possible network issues or contact support for more help

why bears can t fly disney wiki fandom - Feb 24 2022

web source why bears can t fly is the seventh episode of bear in the big blue house it aired on october 28 1997 summary pip and pop invite bear to the otter pond for a game of catch but he keeps getting distracted by other events in the big blue house ojo and treelo are pretending to fly and it gets bear thinking about gravity and things that

[bear wants to fly by susanna isern overdrive](#) - Nov 04 2022

web sep 13 2016 winner at the 2016 moonbeam children s book awards a strange news causes a great uproar in the forest bear has entrusted a dream to white owl flying an emotional tale about the benefits of teamwork and the importance of fighting for your drea

bear wants to fly amazon com - Jan 06 2023

web sep 13 2016 a strange news causes a great uproar in the forest bear has entrusted a dream to white owl flying an emotional tale about the benefits of teamwork and the importance of fighting for your dreams however impossible they may seem that morning the animals in the forest discover that bear has confided a secret to owl bear wants

[bear wants to fly welcome to heartleaf books indiecommerce](#) - Jul 12 2023

web winner at the 2016 moonbeam children s book awards a strange news causes a great uproar in the forest bear has entrusted a dream to white owl flying an emotional tale about the benefits of teamwork and the importance of fighting for your dreams however impossible they may seem

bear wants to fly kindle edition amazon com - May 30 2022

web sep 13 2016 bear wants to fly kindle edition by isern susanna Álvarez silvia brokenbrow jon children kindle ebooks amazon com skip to main content silvia Álvarez available on these devices

[bear wants to fly on apple books](#) - Jun 11 2023

web sep 13 2016 bear has entrusted a dream to white owl flying an emotional tale about the benefits of teamwork and the importance of fighting for your dreams however impossible they may seem that morning the animals in the forest discover that bear has confided a secret to owl bear wants to fly

bear wants to fly book 2016 worldcat org - Feb 07 2023

web get this from a library bear wants to fly susanna isern silvia Álvarez illustrator at cuento de luz firm bear wants to fly is an emotional tale about the benefits of working as a team and the importance of fighting for

oso quiere volar bear wants to fly google books - Apr 28 2022

web aug 22 2016 bear has entrusted a dream to white owl fly an emotional tale about the benefits of teamwork and the importance of fighting for your dreams however impossible they may seem that morning

[oso quiere volar bear wants to fly barnes noble](#) - Aug 01 2022

web apr 1 2020 bear has entrusted a dream to white owl fly an emotional tale about the benefits of teamwork and the importance of fighting for your dreams however impossible they may seem that morning the animals in the forest discover that bear has confided a secret to owl bear wants to fly

bearwantstofly download only - Sep 14 2023

web bear envys bird s ability to fly and little bird wishes he were big and strong like robust bear leading the pair to strike a thoroughly charming deal bobby bear wants to fly like a robin so he gets a ride on a rocket to the moon and other planets in our solar system lucy s light aug 12 2020

oso quiere volar bear wants to fly books4school - Mar 28 2022

web bear wants to fly is an emotional tale about the benefits of working as a team and the importance of fighting for your dreams however impossible they may seem oso quiere volar es una emotiva historia que nos hará reflexionar sobre las ventajas del trabajo en equipo y la importancia de luchar por los sueños por imposibles que parezcan

just 4 pandas left in the us as china takes back others insider - Sep 02 2022

web three year old xiao qi ji was one of three giant pandas from dc s national zoo returned to china on wednesday only four giant panda bears are left in the us the national zoo s three pandas boarded a plane destined for china on wednesday china has been taking its loaned pandas back

pogil pogil answer keys - Mar 14 2022

web the most important thing about pogil activities is that students learn to construct their own content knowledge and develop important process skills through collaborative work posting answer keys to shortcut those important learning steps undercuts the whole point of using pogil activities

2 pogil saturated and unsaturated solutions and solubility - Aug 31 2023

web 2 pogil saturated and unsaturated solutions and solubility key pdf sign in

chem 115 pogil worksheet week 5 answers limiting - Jun 28 2023

web chem 115 pogil worksheet week 5 answers limiting reagents solubility and solution reactions key questions exercises 1 see last week s answer sheet 2 see last week s answer sheet 3 see last week s answer sheet 4 nacl is a strong electrolyte when dissolved in water but pure solid nacl does not conduct electricity why

pogil saturated and unsaturated solutions answer key pdf - Jun 16 2022

web 2 pogil saturated and unsaturated solutions and solubility quiz worksheet features of unsaturated solutions unsaturated saturated and supersaturated solutions saturated and unsaturated

interpreting solubility curves mr ward - Oct 21 2022

web vocabulary solute solvent solution solubility saturated unsaturated supersaturated independent variable dependent variable use a vocabulary term to answer the first two questions below 1 which term applies to a sponge that is dry 2 which term applies to a sponge that is soaked 3

properties of solutions umb edu - Feb 22 2023

web chem 116 pogil worksheet week 4 properties of solutions key questions 1 identify the principal type of solute solvent interaction that is responsible for forming the following solutions a kno 32 in water b br in benzene c 6 h 6 c glycerol ch 22 oh ch oh ch oh in water d hcl in acetonitrile ch 3 cn hcl does not form ions in

solubility pogil wcs - Apr 26 2023

web model 1 three solutions the following data refer to three experiments in which solute is added to water in a beaker at 20 oc the mixtures are stirred and then allowed to sit for three hours before measuring the amount of solid that dissolves ten separate trials are conducted for each experiment

wongchemistry home - Jul 30 2023

web wongchemistry home

[name ap chemistry date pogil principles of solubility](#) - Mar 26 2023

web pogil principles of solubility why the previous pogil discussed a few factors affecting how and why solutions form based on entropy and interparticle forces another factor affecting solution formation is the enthalpy of the solution or the energy required for the solution to form

[18 3 common ion effect in solubility equilibria](#) - Jan 12 2022

web jul 12 2023 the common ion effect of H_3O^+ on the ionization of acetic acid the common ion effect suppresses the ionization of a weak base by adding more of an ion that is a product of this equilibrium example 18 3 4 consider the common ion effect of OH^- on the ionization of ammonia

[pogil chemistry activities flinn sci](#) - Sep 19 2022

web solubility and solutions saturated and unsaturated solutions solubility molarity thermochemistry calorimetry bond energy equilibrium equilibrium acids and bases acids and bases strong versus weak acids calculating ph oxidation and reduction oxidation and reduction the activity series batteries

solubility pogil answers key google docs - Aug 19 2022

web there are two philosophical supports of the on this page you can read or download chemistry pogil solubility answer key in pdf format if you don't see any interesting for you use our search form on bottom

2020 saturated and unsaturated solutions pogil pdf google - Jul 18 2022

web view details request a review learn more

[chem 116 pogil worksheet week 4 properties of solutions](#) - Dec 23 2022

web if a solute is soluble in a solvent the overall process is said to be spontaneous if a solute does not dissolve in a solvent insoluble the solution process is said to be non spontaneous a spontaneous process or change proceeds in a given direction without needing to be driven by an external energy input

[solubility and solubility product western university](#) - Feb 10 2022

web solubility and solubility product mh 5 16 1 16 2 in this section we are going to consider the solubility of ionic solids in water solubility may be considered to be an equilibrium the equilibrium is between solid and ions in solution any ionic solid is 100% ionized in aqueous solution once it actually dissolves

pogil chemistry - Apr 14 2022

web the pogil project is grateful for the support of the national science foundation the department of education the hach scientific foundation google education and university relations fund of tides foundation merle robbins franklin marshall college and the toyota usa foundation

[pogil solubility curves edited google docs](#) - Jan 24 2023

web solubility data task complete the model use google spreadsheets to make a graph of the solubility data in table create a google sheet copy and paste the data table above into sheets

solved pogil solubility why solubility is a measure of the chegg - Nov 21 2022

web pogil solubility why solubility is a measure of the amount of solute that will dissolve in a given amount of solvent usually water at a given temperature a solubility curve shows how much solute dissolves in a given volume of solvent at a given temperature

chem 115 pogil worksheet week 5 limiting reagents solubility - May 28 2023

web information solubility rules a solute is considered soluble if an appreciable amount of it can be dissolved in a given amount of the solvent for example both table salt nacl and table sugar c11h22o11 are soluble substances in water a solute is considered insoluble if very little of it dissolves in a given amount of the solvent

pogil common ion effect on solubility extension chegg com - May 16 2022

web predict what might happen to the solubility of the insoluble salt if a 1 0 m acid solution was added drop wise to the beaker hint which ion species in the beaker will react with the acid how will this reaction alter the concentration of the common ion

gravures rebelles 4 romans graphiques by collectif - Jun 06 2022

web april 16th 2020 4 romans graphiques gravures rebelles collectif l echappee des milliers de livres avec la livraison chez vous en 1 jour ou en magasin avec 5 de réduction gravure et gravures recherche mdicale

gravures rebelles 4 romans graphiques amazon co uk collectif - Apr 16 2023

web buy gravures rebelles 4 romans graphiques 1 by collectif isbn 9782915830521 from amazon s book store everyday low prices and free delivery on eligible orders

gravures rebelles 4 romans graphiques softcover abebooks - May 17 2023

web abebooks com gravures rebelles 4 romans graphiques 9782915830521 by collectif and a great selection of similar new used and collectible books available now at great prices

gravures rebelles 4 romans graphiques by collectif - Mar 03 2022

web gravures rebelles 4 romans graphiques bd bd manga gravures rebelles masereel ward patri hyde l echappee ward maps of the city of london publication hyde ralph

gravures rebelles 4 romans graphiques paperback amazon com - Jan 13 2023

web oct 13 2010 gravures rebelles 4 romans graphiques collectif on amazon com free shipping on qualifying offers gravures rebelles 4 romans graphiques

gravures rebelles 4 romans graphiques broché amazon fr - Aug 20 2023

web ce testament de leur rôle de témoins graphiques montre la fécondité du rapport de l art et de la politique dans ces moments de fièvre de l histoire une longue introduction décrit les techniques et les outils qu ils utilisaient et retrace le parcours de ces graveurs rebelles

gravures rebelles 4 romans graphiques giacomo patri babelio - Sep 21 2023

web acheter ce livre sur critiques citations extraits de gravures rebelles 4 romans graphiques de giacomo patri en définitive ce serait une erreur que de considérer ces sublimes ro

gravures rebelles 4 romans graphiques textra com tw - May 05 2022

web gravures rebelles 4 romans graphiques 3 3 edition offers new information on the technologies tests and regulations impacting the paper and corrugated industries worldwide with a special focus on europe and japan new information has been added on tests and novel designs for folded cartons as well as expanded discussions of paperboard

gravures rebelles les Éditions l échappée - Oct 22 2023

web apr 21 2009 recension de gravures rebelles par anne claire norot dans les inrocks le recueil gravures rebelles réunit quatre romans graphiques complets de masereel ward patri et laurence hyde nés durant les crises ces livres souvent très engagés montrent des individus ordinaires aux prises avec les

gravures rebelles romans graphiques abebooks - Jul 19 2023

web gravures rebelles 4 romans graphiques by collectif and a great selection of related books art and collectibles available now at abebooks com

livre gravures rebelles 4 romans graphiques l echappée - Sep 09 2022

web découvrez gravures rebelles 4 romans graphiques chez l echappée sur librest com groupement de librairies indépendantes du grand paris librest groupement de librairies indépendantes du grand paris ok changer de librairie me *gravures rebelles 4 romans graphiques librairie eyrolles* - Oct 10 2022

web les contre histoires sans paroles que regroupe ce livre ont été créées par quatre célèbres artistes de la première moitié du xxe siècle ces gravures d une rare intensité reflètent le climat politique

gravures rebelles 4 romans graphiques - Apr 04 2022

web as this one merely said the gravures rebelles 4 romans graphiques is universally compatible in the same way as any devices to read paris under the commune or the seventy three days of the second siege john leighton 1871 university of california union catalog of monographs cataloged by the nine campuses from 1963 through 1967

gravures rebelles 4 romans graphiques alexandre freiszmath - Aug 08 2022

web ce testament de leur rôle de témoins graphiques montre la fécondité du rapport de l art et de la politique dans ces moments de fièvre de l histoire une longue introduction décrit les techniques et les outils qu ils utilisaient et retrace le

parcours de ces graveurs rebelles

gravures rebelles 4 romans graphiques amazon com - Jul 07 2022

web amazon com gravures rebelles 4 romans graphiques 9782915830217 books skip to main content us delivering to lebanon 66952 update location books select the department you want to search in search amazon en hello sign in account

gravures rebelles 4 romans graphiques cartonné fnac - Jun 18 2023

web 4 romans graphiques gravures rebelles collectif l echappee des milliers de livres avec la livraison chez vous en 1 jour ou en magasin avec 5 de réduction

gravures rebelles 4 romans graphiques by various goodreads - Mar 15 2023

web paperback published october 13 2010 book details editions

gravures rebelles 4 romans graphiques album furet du nord - Nov 11 2022

web nov 17 2008 gravures rebelles 4 romans graphiques de plongez vous dans le livre frans masereel au format album ajoutez le à votre liste de souhaits ou abonnez vous à l auteur frans masereel livraison gratuite à 0 01 dès 35 d achat furet du nord

gravures rebelles 4 romans graphiques album decitre - Dec 12 2022

web oct 16 2010 ces gravures d une rare intensité reflètent le climat politique et social de l époque la grande dépression les injustices sociales les luttes de la classe ouvrière la guerre et la peur des armes de destruction massive

gravures rebelles 4 romans graphiques frans masereel lynd - Feb 14 2023

web oct 16 2010 retrouver tous les articles sur gravures rebelles 4 romans graphiques par frans masereel lynd ward giacomo patri laurence hyde les contre histoires sans paroles que regroupe ce livre ont