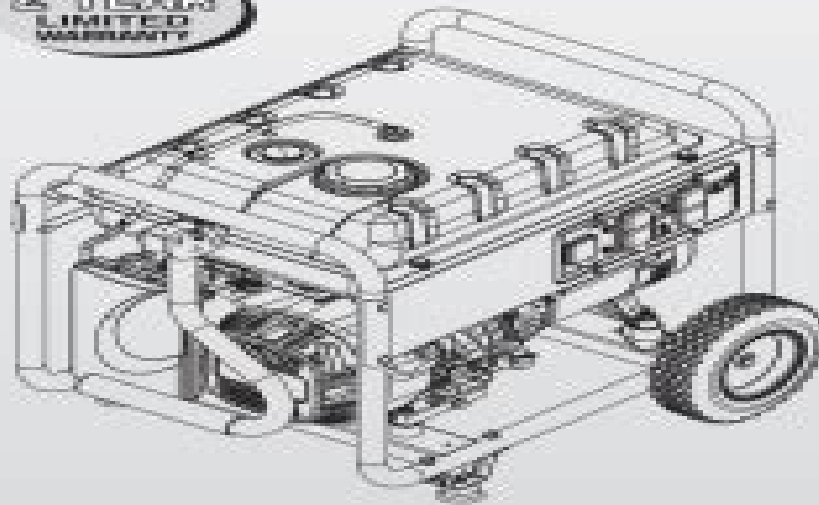


GENERAC[®]

Owner's Manual

GP Series Portable Generator

**2 YEAR
LIMITED
WARRANTY**



⚠ DANGER!

- ⚠ DEADLY EXHAUST FUMES! ONLY use OUTSIDE far away from windows, doors and vents!**
- ⚠ NOT INTENDED FOR USE IN CRITICAL LIFE SUPPORT APPLICATIONS.**
- ⚠ SAVE this Manual. Provide this manual to any operator of the generator.**

Gp7500e Manual

Ying Liu



Gp7500e Manual:

As recognized, adventure as competently as experience just about lesson, amusement, as skillfully as accord can be gotten by just checking out a book **Gp7500e Manual** in addition to it is not directly done, you could allow even more almost this life, as regards the world.

We come up with the money for you this proper as well as easy quirk to acquire those all. We meet the expense of Gp7500e Manual and numerous book collections from fictions to scientific research in any way. in the course of them is this Gp7500e Manual that can be your partner.

http://www.armchairempire.com/results/detail/Download_PDFS/mcgraw%20hill%20connect%20solutions%20manual%20university%20physics.pdf

Table of Contents Gp7500e Manual

1. Understanding the eBook Gp7500e Manual
 - The Rise of Digital Reading Gp7500e Manual
 - Advantages of eBooks Over Traditional Books
2. Identifying Gp7500e Manual
 - Exploring Different Genres
 - Considering Fiction vs. Non-Fiction
 - Determining Your Reading Goals
3. Choosing the Right eBook Platform
 - Popular eBook Platforms
 - Features to Look for in an Gp7500e Manual
 - User-Friendly Interface
4. Exploring eBook Recommendations from Gp7500e Manual
 - Personalized Recommendations
 - Gp7500e Manual User Reviews and Ratings
 - Gp7500e Manual and Bestseller Lists

5. Accessing Gp7500e Manual Free and Paid eBooks
 - Gp7500e Manual Public Domain eBooks
 - Gp7500e Manual eBook Subscription Services
 - Gp7500e Manual Budget-Friendly Options
6. Navigating Gp7500e Manual eBook Formats
 - ePub, PDF, MOBI, and More
 - Gp7500e Manual Compatibility with Devices
 - Gp7500e Manual Enhanced eBook Features
7. Enhancing Your Reading Experience
 - Adjustable Fonts and Text Sizes of Gp7500e Manual
 - Highlighting and Note-Taking Gp7500e Manual
 - Interactive Elements Gp7500e Manual
8. Staying Engaged with Gp7500e Manual
 - Joining Online Reading Communities
 - Participating in Virtual Book Clubs
 - Following Authors and Publishers Gp7500e Manual
9. Balancing eBooks and Physical Books Gp7500e Manual
 - Benefits of a Digital Library
 - Creating a Diverse Reading Collection Gp7500e Manual
10. Overcoming Reading Challenges
 - Dealing with Digital Eye Strain
 - Minimizing Distractions
 - Managing Screen Time
11. Cultivating a Reading Routine Gp7500e Manual
 - Setting Reading Goals Gp7500e Manual
 - Carving Out Dedicated Reading Time
12. Sourcing Reliable Information of Gp7500e Manual
 - Fact-Checking eBook Content of Gp7500e Manual
 - Distinguishing Credible Sources
13. Promoting Lifelong Learning

- Utilizing eBooks for Skill Development
 - Exploring Educational eBooks
14. Embracing eBook Trends
- Integration of Multimedia Elements
 - Interactive and Gamified eBooks

Gp7500e Manual Introduction

Gp7500e Manual Offers over 60,000 free eBooks, including many classics that are in the public domain. Open Library: Provides access to over 1 million free eBooks, including classic literature and contemporary works. Gp7500e Manual Offers a vast collection of books, some of which are available for free as PDF downloads, particularly older books in the public domain. Gp7500e Manual : This website hosts a vast collection of scientific articles, books, and textbooks. While it operates in a legal gray area due to copyright issues, its a popular resource for finding various publications. Internet Archive for Gp7500e Manual : Has an extensive collection of digital content, including books, articles, videos, and more. It has a massive library of free downloadable books. Free-eBooks Gp7500e Manual Offers a diverse range of free eBooks across various genres. Gp7500e Manual Focuses mainly on educational books, textbooks, and business books. It offers free PDF downloads for educational purposes. Gp7500e Manual Provides a large selection of free eBooks in different genres, which are available for download in various formats, including PDF. Finding specific Gp7500e Manual, especially related to Gp7500e Manual, might be challenging as theyre often artistic creations rather than practical blueprints. However, you can explore the following steps to search for or create your own Online Searches: Look for websites, forums, or blogs dedicated to Gp7500e Manual, Sometimes enthusiasts share their designs or concepts in PDF format. Books and Magazines Some Gp7500e Manual books or magazines might include. Look for these in online stores or libraries. Remember that while Gp7500e Manual, sharing copyrighted material without permission is not legal. Always ensure youre either creating your own or obtaining them from legitimate sources that allow sharing and downloading. Library Check if your local library offers eBook lending services. Many libraries have digital catalogs where you can borrow Gp7500e Manual eBooks for free, including popular titles. Online Retailers: Websites like Amazon, Google Books, or Apple Books often sell eBooks. Sometimes, authors or publishers offer promotions or free periods for certain books. Authors Website Occasionally, authors provide excerpts or short stories for free on their websites. While this might not be the Gp7500e Manual full book , it can give you a taste of the authors writing style. Subscription Services Platforms like Kindle Unlimited or Scribd offer subscription-based access to a wide range of Gp7500e Manual eBooks, including some popular titles.

FAQs About Gp7500e Manual Books

How do I know which eBook platform is the best for me? Finding the best eBook platform depends on your reading preferences and device compatibility. Research different platforms, read user reviews, and explore their features before making a choice. Are free eBooks of good quality? Yes, many reputable platforms offer high-quality free eBooks, including classics and public domain works. However, make sure to verify the source to ensure the eBook credibility. Can I read eBooks without an eReader? Absolutely! Most eBook platforms offer webbased readers or mobile apps that allow you to read eBooks on your computer, tablet, or smartphone. How do I avoid digital eye strain while reading eBooks? To prevent digital eye strain, take regular breaks, adjust the font size and background color, and ensure proper lighting while reading eBooks. What the advantage of interactive eBooks? Interactive eBooks incorporate multimedia elements, quizzes, and activities, enhancing the reader engagement and providing a more immersive learning experience. Gp7500e Manual is one of the best book in our library for free trial. We provide copy of Gp7500e Manual in digital format, so the resources that you find are reliable. There are also many Ebooks of related with Gp7500e Manual. Where to download Gp7500e Manual online for free? Are you looking for Gp7500e Manual PDF? This is definitely going to save you time and cash in something you should think about. If you trying to find then search around for online. Without a doubt there are numerous these available and many of them have the freedom. However without doubt you receive whatever you purchase. An alternate way to get ideas is always to check another Gp7500e Manual. This method for see exactly what may be included and adopt these ideas to your book. This site will almost certainly help you save time and effort, money and stress. If you are looking for free books then you really should consider finding to assist you try this. Several of Gp7500e Manual are for sale to free while some are payable. If you arent sure if the books you would like to download works with for usage along with your computer, it is possible to download free trials. The free guides make it easy for someone to free access online library for download books to your device. You can get free download on free trial for lots of books categories. Our library is the biggest of these that have literally hundreds of thousands of different products categories represented. You will also see that there are specific sites catered to different product types or categories, brands or niches related with Gp7500e Manual. So depending on what exactly you are searching, you will be able to choose e books to suit your own need. Need to access completely for Campbell Biology Seventh Edition book? Access Ebook without any digging. And by having access to our ebook online or by storing it on your computer, you have convenient answers with Gp7500e Manual To get started finding Gp7500e Manual, you are right to find our website which has a comprehensive collection of books online. Our library is the biggest of these that have literally hundreds of thousands of different products represented. You will also see that there are specific sites catered to different categories or niches related with Gp7500e Manual So depending on what exactly you are searching, you will be able to choose ebook to suit your own need. Thank you for reading Gp7500e Manual. Maybe you have knowledge that, people have

search numerous times for their favorite readings like this Gp7500e Manual, but end up in harmful downloads. Rather than reading a good book with a cup of coffee in the afternoon, instead they juggled with some harmful bugs inside their laptop. Gp7500e Manual is available in our book collection an online access to it is set as public so you can download it instantly. Our digital library spans in multiple locations, allowing you to get the most less latency time to download any of our books like this one. Merely said, Gp7500e Manual is universally compatible with any devices to read.

Find Gp7500e Manual :

~~mcgraw hill connect solutions manual university physics~~

mcgraw hill connect managerial accounting answers chapter 7

mcgraw hill connect prescotts microbiology answers key

mcgraw hill connect organizational behavior answer key

~~mcgraw hill connect financial accounting answers~~

mcgraw hill connect finance solutions

mcgraw hill connect writing answers

mcgraw hill connect experience spanish answers

mcgraw hill connect chemistry answer key

mcgraw hill connect sociology test answers

mcgraw hill connect homework answers intermediate accounting

mcgraw hill connect homework answers chemistry

mcgraw hill connect quiz answers sociology

mcgraw hill connect microbiology answers key

mcgraw hill connect chemistry answers

Gp7500e Manual :

mechanics of materials by james m gere open library - Aug 02 2022

web mechanics of materials si edition 8th edition james m gere barry j goodno publisher cengage learning isbn

9781111577742 view more textbook editions sorry

mechanics of materials james m gere barry j goodno - Nov 24 2021

mechanics of materials brief si edition james m gere barry j - Jan 27 2022

web jan 1 2012 bibtex endnote refman the eighth edition of mechanics of materials continues its tradition as one of the leading texts on the market with its

loading interface goodreads - Apr 29 2022

web mar 1 2012 mechanics of materials si edition james m gere barry j goodno cengage learning mar 1 2012 technology engineering 1056 pages the eighth

mechanics of materials fourth si edition james m gere - Mar 09 2023

web jan 27 2017 mechanics of materials si edition barry j goodno james m gere cengage learning jan 27 2017 technology engineering 1152 pages readers gain

mechanics of materials si edition amazon com - Apr 10 2023

web jun 19 1999 mechanics of materials fourth si edition james m gere on amazon com free shipping on qualifying offers mechanics of materials fourth si

mechanics of materials si edition james m gere barry j - Feb 25 2022

web apr 12 2011 mechanics of materials brief si edition james m gere barry j goodno cengage learning apr 12 2011 technology engineering 608 pages mechanics

[mechanics of materials gere james m archive org](#) - Oct 04 2022

web aug 19 2010 mechanics of materials by james m gere j m gere stephen timoshenko 1999 stanley thornes edition in english 4th si ed

mechanics of materials si edition by dr james gere booktopia - Nov 05 2022

web xx 1130 p 26 cm on end papers conversions between u s customary units and si units principle units used in mechanics selected physical properties si prefixes includes

mechanics of materials si edition cengage asia - Oct 16 2023

web mechanics of materials si edition 9th edition barry j goodno james m gere isbn 13 9781337093354 copyright 2018 published 1152 pages list price usd 232 95 isbn

mechanics of materials si edition james m gere barry j - May 11 2023

web jan 6 2017 develop a thorough understanding of the mechanics of materials an essential area in mechanical civil and structural engineering with the analytical

mechanics of materials brief si edition james m gere barry j - Dec 26 2021

mechanics of materials si edition textbook solutions bartleby - May 31 2022

web develop a thorough understanding of the mechanics of materials an area essential for success in mechanical civil and structural engineering with the analytical approach

[mechanics of materials si edition barry j goodno james m](#) - Feb 08 2023

web 120 rows the enhanced 9th edition of goodno gere s mechanics of materials si edition examines the analysis and design of structural members subjected to tension

[mechanics of materials gere james m free download](#) - Jul 01 2022

web discover and share books you love on goodreads

mechanics of materials si edition webassign - Jan 07 2023

web copyright 2019 published 1184 pages list price usd 179 95 isbn 9781133364412 master two essential subjects in engineering mechanics statics and mechanics of

mechanics of materials si edition amazon com - Aug 14 2023

web apr 13 2012 mechanics of materials si edition 55 00 86

mechanics of materials enhanced si edition cengage asia - Mar 29 2022

web apr 12 2011 mechanics of materials brief si edition authors james m gere barry j goodno edition

mechanics of materials si edition james m gere barry j - Sep 15 2023

web 8 rows jul 14 2008 mechanics of materials si edition james m gere barry j goodno cengage learning jul 14

[mechanics of materials si edition amazon com](#) - Jul 13 2023

web editions for mechanics of materials si edition 0748766758 paperback published in 2005 0495438073 paperback published in 2008 0534553974 hardcove

[mechanics of materials james m gere barr](#) - Sep 03 2022

web mechanics of materials gere james m free download borrow and streaming internet archive

editions of mechanics of materials si edition by gere j m - Jun 12 2023

web mar 1 2012 mechanics of materials si edition james m gere barry j goodno cengage learning mar 1 2012 technology engineering 1056 pages the eighth

statics and mechanics of materials si edition cengage asia - Dec 06 2022

web jan 9 2017 booktopia has mechanics of materials si edition by dr james gere buy a discounted paperback of mechanics of materials si edition online from australia s

[in einem alten haus in moskau bücher de](#) - Jan 04 2023

web alexandra litwina in einem alten haus in moskau ein streifzug durch 100 jahre russische geschichte mit illustrationen von anna desnitskaya aus dem russischen von thomas weiler und lorenz hoffmann gerstenberg verlag hildesheim 2017 60

seiten 24 95 euro illustration aus alexandra litwina und anna desnitskaya in einem alten

in einem alten haus in moskau ein streifzug durch 100 jahre - May 08 2023

web jul 1 2017 in einem alten haus in moskau ein streifzug durch 100 jahre russische geschichte litwina alexandra

desnitskaya anna amazon de books

in einem alten haus in moskau ein streifzug durch pdf - Feb 22 2022

web in einem alten haus in moskau ein streifzug durch is available in our book collection an online access to it is set as public so you can download it instantly our books collection spans in multiple countries allowing you to get the most less latency time to download any of our books like this one kindly say the in einem alten haus in moskau

9783836959933 in einem alten haus in moskau ein streifzug durch - Nov 02 2022

web in einem alten haus in moskau ein streifzug durch 100 jahre russische geschichte finden sie alle bücher von litwina alexandra bei der büchersuchmaschine eurobuch de können sie antiquarische und neubücher vergleichen und sofort zum bestpreis bestellen 9783836959933

in einem alten haus in moskau thalia - Apr 07 2023

web in einem alten haus in moskau von alexandra litwina buch 978 3 8369 5993 3 bücher beschreibung in einem alten haus in moskau ein streifzug durch 100 jahre russische geschichte alexandra litwina buch gebundene ausgabe 26 00 inkl gesetzl mwst versandkostenfrei artikel liefern lassen sofort lieferbar in den warenkorb

in einem alten haus in moskau ein streifzug durch 100 jahre - Mar 26 2022

web in einem alten haus in moskau ein streifzug durch 100 jahre buch gebraucht antiquarisch neu kaufen sortierung autor titel jahr eingangsdatum preis preis porto relevanz 2 treffer in bücher gebraucht neuware

alexandra litwina anna desnitskaya in einem alten haus in moskau - Jul 10 2023

web jul 28 2017 alexandra litwina autorin anna desnitskaya illustrationen in einem alten haus in moskau ein streifzug durch 100 jahre russische geschichte aus dem russischen übersetzt von lorenz

in einem alten haus in moskau ein streifzug durch 100 jahre - Jun 09 2023

web in einem alten haus in moskau ein streifzug durch 100 jahre russische geschichte von alexandra litwina und anna desnitskaya 4 3 sterne bei 3 bewertungen bestellen bei amazon neue kurzmeinungen kafkaesk vor 4 jahren kurzer Überblick über die russische alltagsgeschichte ab 1902 bis 2002 alle 3 bewertungen lesen inhaltsangabe

in einem alten haus in moskau gerstenberg verlag - Oct 13 2023

web in einem alten haus in moskau ein streifzug durch 100 jahre russische geschichte 345 0 mm x 250 0 mm x 11 0 mm durchgehend farbig 60 seiten hardcover ab 12 jahren 5

anna desnitskaya alexandra litwina in einem alten haus in moskau - Aug 11 2023

web ein sowjetmensch in einem alten haus in moskau lebt eine familie 100 jahre lang kriege frieden revolutionen gesellschaftliche und technische entwicklungen alles was die welt in den jahren zwischen 1902 und 2002 bewegt spiegelt sich im mikrokosmos rund um familie muromzew wider und wird von generation zu generation aus sicht der

in einem alten haus in moskau ein streifzug durch 100 jahre - Oct 01 2022

web amazon in buy in einem alten haus in moskau ein streifzug durch 100 jahre russische geschichte book online at best prices in india on amazon in read in einem alten haus in moskau ein streifzug durch 100 jahre russische geschichte book reviews author details and more at amazon in free delivery on qualified orders

details zu in einem alten haus in moskau ein streifzug durch - May 28 2022

web in einem alten haus in moskau ein streifzug durch 100 jahre russische geschichte erzählt von alexandra litwina bilder von anna desnitskaya aus dem russischen von thomas weiler und lorenz hoffmann von litwina alexandra verfasser mitwirkende r desnizkaja anja künstler weiler thomas 1978 Übersetzer materialtyp text litwina

amazon de kundenrezensionen in einem alten haus in moskau ein - Dec 03 2022

web finde hilfreiche kundenrezensionen und rezensionsbewertungen für in einem alten haus in moskau ein streifzug durch 100 jahre russische geschichte auf amazon de lese ehrliche und unvoreingenommene rezensionen von unseren nutzern *in einem alten haus in moskau ein streifzug durch 100 jahre* - Sep 12 2023

web in einem alten haus in moskau ein streifzug durch 100 jahre russische geschichte litwina alexandra desnitskaya anna amazon de bücher

russlands andere geschichte n zois berlin de - Jun 28 2022

web sep 9 2020 ein streifzug durch 100 jahre russische geschichte im russischen original die geschichte einer alten wohnung von alexandra litwina text und anna desnitskaya illustration das buch erzählt auf nur 56 seiten die geschichte russlands im

in einem alten haus in moskau gebrüder gerstenberg verlag - Jul 30 2022

web oct 1 2023 ein sowjetmensch in einem alten haus in moskau lebt eine familie 100 jahre lang kriege frieden revolutionen gesellschaftliche und technische entwicklungen alles was die welt in den jahren zwischen 1902 und 2002 bewegt spiegelt sich im mikrokosmos rund um familie muromzew wider und wird von generation zu

in einem alten haus in moskau ein streifzug durch 100 jahre - Feb 05 2023

web in einem alten haus in moskau ein streifzug durch 100 jahre russische geschichte litwina alexandra amazon com au books

in einem alten haus in moskau ein streifzug durch 100 jahre - Apr 26 2022

web in einem alten haus in moskau ein streifzug durch 100 jahre russische geschichte die russische geschichte ist

ereignisreich und besonders im 20 jahrhundert äusserst wechselvoll

in einem alten haus in moskau ein streifzug durch 100 jahre - Aug 31 2022

web in einem alten haus in moskau ein streifzug durch 100 jahre russische geschichte litwina alexandra desnitskaya anna amazon nl boeken

buch in einem alten haus in moskau arbeitskreis für - Mar 06 2023

web ein streifzug durch 100 jahre russische geschichte alexandra litwina text anna desnitskaya illustration lorenz hoffmann Übersetzung thomas weiler Übersetzung gerstenberg verlag isbn 978 3 8369 5993 3 24 95 d 25 70 a originalsprache

russisch nominierung 2018 kategorie sachbuch ab 10 jahren jurybegründung

autogenes training der bewahrte weg zur entspannu maria - Oct 06 2022

web autogenes training der bewahrte weg zur entspannu this is likewise one of the factors by obtaining the soft documents of this autogenes training der bewahrte weg zur entspannu by online you might not require more era to spend to go to the book opening as with ease as search for them in some cases you likewise do not discover the publication

autogenes training so funktioniert es mylife de - Dec 08 2022

web feb 26 2021 autogenes training ist eine klassische selbstentspannungsmethode sie hilft in stressigen lebensphasen wieder zu mehr ruhe zu gelangen viele menschen nutzen autogenes training zum einschlafen oder vorbeugend zur psychohygiene lesen sie hier wie autogenes training funktioniert und wie sie ihren körper damit positiv

autogenes training gedanken zur entspannung nutzen die techniker - Jan 09 2023

web apr 17 2023 autogenes training entspannt beruhigt auch den kreislauf steigert die konzentrationsfähigkeit schafft einen klaren kopf und hilft dabei körper und geist mit den eigenen gedanken zu beeinflussen

autogenes training der bewährte weg zur entspannung - Jul 15 2023

web sein buch autogenes training der bewährte weg zur entspannung ist ein klassiker in mehreren sprachen übersetzt und jetzt neu bearbeitet dieses standardwerk vermittelt auf übersichtliche und verständliche weise die grundübungen des autogenen trainings und ihre anwendungsgebiete für gesunde sowie bei leiden und krankheiten

autogenes training der bewahrte weg zur entspannu copy - May 01 2022

web acquire the most less latency epoch to download any of our books taking into account this one merely said the autogenes training der bewahrte weg zur entspannu is universally compatible gone any devices to read autogenes training der bewahrte weg zur entspannu 2020 07 04 carey torres autogenes training mankau verlag gmbh

autogenes training der bewährte weg zur entspannung by - Sep 05 2022

web june 3rd 2020 autogenes training der bewahrte weg zur entspannung autogenes training die mentale krafttankstelle nach prof dr schultz autogenes training durch autogenes training entspannung finden stress bekämpfen besser schlafen

angste und storungen abbauen gesunder werden und versteckte potenziale nutzen

autogenes training der bewährte weg zur entspannung - Jun 14 2023

web mar 30 2022 autogenes training der bewährte weg zur entspannung by lindemann hannes 1922 2015 verfasser

publication date 1997 topics autogenes training publisher münchen orbis verl de ocr detected lang conf 1 0000 ocr detected

script latin ocr detected script conf 1 0000 ocr module version 0 0 15 ocr parameters l deu

autogenes training der bewährte weg zur entspannung by - Dec 28 2021

web autogenes training der bewährte weg zur entspannung by hannes lindemann autogenes training der bewährte weg zur

entspannung by hannes lindemann burn out überwinden für dummies adrian urban livres en full text of der yoga internet

archive achat hannes lindemann pas cher ou d occasion rakuten die 7 besten bilder zu fersensporn

autogenes training meine gesundheit - Aug 04 2022

web autogenes training ist eine in europa sehr häufig eingesetzte methode der psychotherapie ziel des autogenen trainings

ist es körper und geist wieder ins gleichgewicht zu bringen stress und nervosität sind für die entstehung vieler krankheiten

mitverantwortlich deshalb ist es wichtig sich in zeiten starker seelischer belastung

autogenes training der bewährte weg zur entspannung - May 13 2023

web nov 20 2009 autogenes training ist die insel der ruhe und die quelle der kraft im hektischen fordernden alltag die man

immer und überall erreichen kann es führt zu tiefer entspannung körperlicher

autogenes training der bewährte weg zur entspannu wrbb neu - Jul 03 2022

web autogenes training der bewährte weg zur entspannu what you with to read autogenes training der bewährte weg zur

entspannu 2020 06 12 porter oconnor bibliographie der deutschsprachigen psychologischen literatur bod books on demand

la ansiedad es uno de los males más comunes de la sociedad moderna pero

autogenes training der bewährte weg zur entspannu copy - Mar 31 2022

web this online declaration autogenes training der bewährte weg zur entspannu can be one of the options to accompany you

afterward having new time it will not waste your time understand me the e book will utterly express you new issue to read

just invest little time to gate this on line revelation autogenes training der bewährte weg zur

autogenes training der bewährte weg zur entspannung amazon de - Feb 10 2023

web autogenes training der bewährte weg zur entspannung isbn 9783570046401 kostenloser versand für alle bücher mit

versand und verkauf duch amazon

autogenes training der bewährte weg zur entspannung - Aug 16 2023

web autogenes training ist die insel der ruhe und die quelle der kraft im hektischen fordernden alltag die man immer und

überall erreichen kann es führt zu tiefer entspannung körperlicher und seelischer gelöstheit es stärkt gesundheit und

widerstandskraft baut stress ab und schenkt lebensfreude

autogenes training der bewährte weg zur entspannung - Feb 27 2022

web autogenes training der bewährte weg zur entspannung lindemann hannes isbn 9783576116467 kostenloser versand für alle bücher mit versand und verkauf duch amazon

autogenes training der bewährte weg zur entspannung - Mar 11 2023

web autogenes training ist die insel der ruhe und die quelle der kraft im hektischen fordernden alltag die man immer und überall erreichen kann es führt zu tiefer entspannung körperlicher und seelischer gelöstheit es stärkt gesundheit und widerstandskraft baut stress ab und schenkt lebensfreude

autogenes training der bewährte weg zur entspannung by - Jun 02 2022

web autogenes training der bewährte weg zur entspannung by hannes lindemann müssen uns trotz aller erleichterungen die uns von staat ländern kommunen versicherungsträgern wohlfahrtsverbänden usw zuteil werden auch selbst um

autogenes training der bewährte weg zur entspannung - Apr 12 2023

web autogenes training der bewährte weg zur entspannung ebook written by hannes lindemann read this book using google play books app on your pc android ios devices download for offline reading highlight bookmark or take notes while you read autogenes training der bewährte weg zur entspannung

autogenes training der bewährte weg zur entspannung 2022 - Nov 07 2022

web autogenes training ist die insel der ruhe und die quelle der kraft im hektischen fordernden alltag die man immer und überall erreichen kann es führt zu tiefer entspannung körperlicher und seelischer gelöstheit es stärkt gesundheit und widerstandskraft baut stress ab und schenkt

autogenes training der bewährte weg zur entspannung by - Jan 29 2022

web june 3rd 2020 autogenes training der bewährte weg zur entspannung autogenes training die mentale krafttankstelle nach prof dr schultz autogenes training durch autogenes training entspannung finden stress bekämpfen besser schlafen angst und storungen abbauen gesunder werden und versteckte potenziale nutzen das