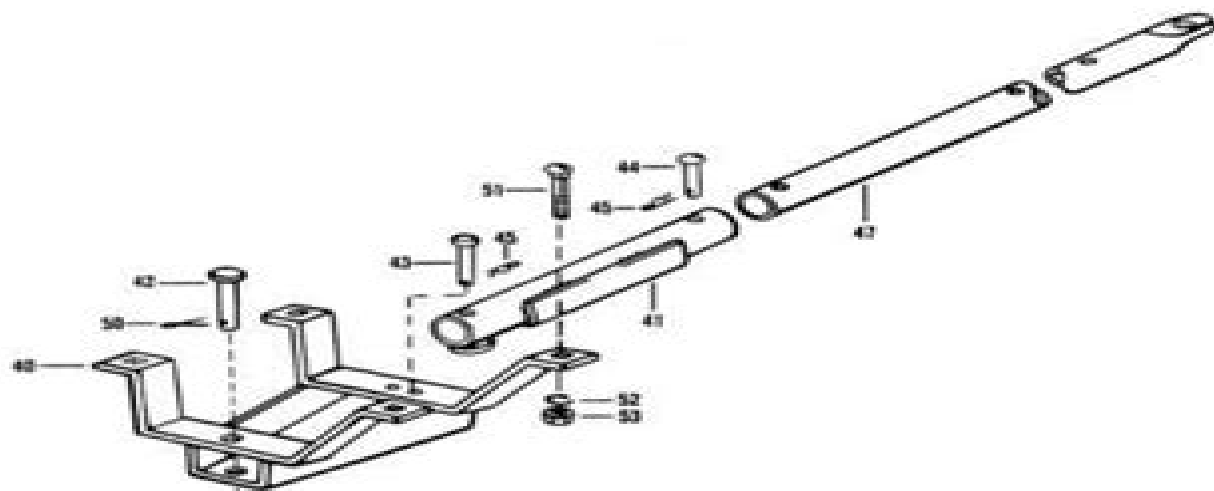
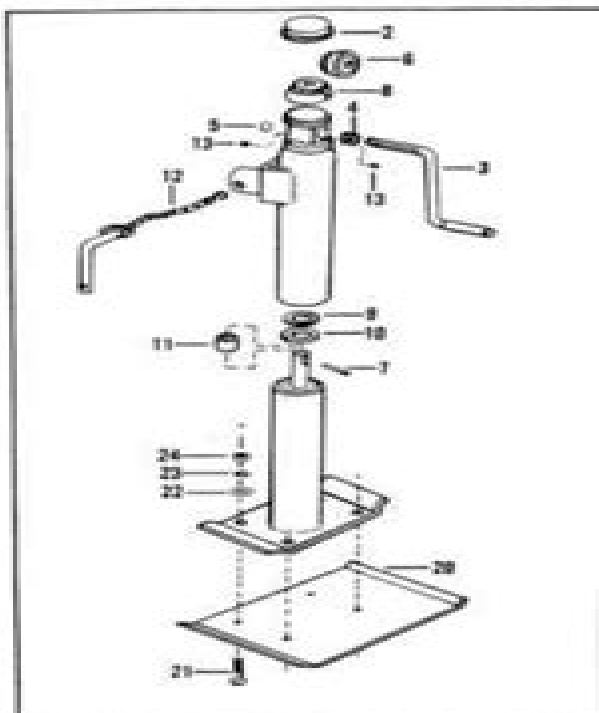


JACK ASSEMBLY AND WAGON HITCH

3183 000-1



# Massey Ferguson Square Baler 120 Manual

**Anthony S. Fauci**



**Massey Ferguson Square Baler 120 Manual:**

**Power Farming in Australia and New Zealand Technical Manual** ,1987    **Official Guide, Tractors and Farm Equipment** ,1988    **Farmers and Consumers Market Bulletin** ,2011    **British Power Farmer and Agricultural Engineer** ,1986    *Evaluation Report* ,1981    Farm Implement and Machinery Review ,1961    *Implement Manufacturers' Review and Agricultural Record* ,1961    **The Northeast Improver** ,1986    **Progressive Farmer** ,1993    **Wallaces Farmer** ,1989    **AMJ, Agricultural Machinery Journal** ,1978    **Thomas' Register of American Manufacturers** ,1993    **Suffolk County Farm and Home Bureau News** ,1990    The Prairie Farmer ,1963    Prairie Farmer ,1984    West's Federal Practice Digest ,2003    *Union Agriculturist and Western Prairie Farmer* ,2000-03    **The Farmer & Stock-breeder** ,1949    **Power Farming in Australia and New Zealand Incorporating Farm Vehicle Digest** ,1971    California Farmer ,1976

This book delves into Massey Ferguson Square Baler 120 Manual. Massey Ferguson Square Baler 120 Manual is a crucial topic that needs to be grasped by everyone, ranging from students and scholars to the general public. This book will furnish comprehensive and in-depth insights into Massey Ferguson Square Baler 120 Manual, encompassing both the fundamentals and more intricate discussions.

1. The book is structured into several chapters, namely:

- Chapter 1: Introduction to Massey Ferguson Square Baler 120 Manual
- Chapter 2: Essential Elements of Massey Ferguson Square Baler 120 Manual
- Chapter 3: Massey Ferguson Square Baler 120 Manual in Everyday Life
- Chapter 4: Massey Ferguson Square Baler 120 Manual in Specific Contexts
- Chapter 5: Conclusion

2. In chapter 1, this book will provide an overview of Massey Ferguson Square Baler 120 Manual. This chapter will explore what Massey Ferguson Square Baler 120 Manual is, why Massey Ferguson Square Baler 120 Manual is vital, and how to effectively learn about Massey Ferguson Square Baler 120 Manual.

3. In chapter 2, the author will delve into the foundational concepts of Massey Ferguson Square Baler 120 Manual. This chapter will elucidate the essential principles that need to be understood to grasp Massey Ferguson Square Baler 120 Manual in its entirety.

4. In chapter 3, this book will examine the practical applications of Massey Ferguson Square Baler 120 Manual in daily life. This chapter will showcase real-world examples of how Massey Ferguson Square Baler 120 Manual can be effectively utilized in everyday scenarios.

5. In chapter 4, the author will scrutinize the relevance of Massey Ferguson Square Baler 120 Manual in specific contexts. This chapter will explore how Massey Ferguson Square Baler 120 Manual is applied in specialized fields, such as education, business, and technology.

6. In chapter 5, this book will draw a conclusion about Massey Ferguson Square Baler 120 Manual. The final chapter will summarize the key points that have been discussed throughout the book.

This book is crafted in an easy-to-understand language and is complemented by engaging illustrations. It is highly recommended for anyone seeking to gain a comprehensive understanding of Massey Ferguson Square Baler 120 Manual.

[http://www.armchairempire.com/files/browse/default.aspx/handbook\\_of\\_combinatorial\\_optimization\\_supplement\\_volume\\_1\\_handbook\\_of\\_combinatorial\\_optimization\\_supplement\\_volume\\_1.pdf](http://www.armchairempire.com/files/browse/default.aspx/handbook_of_combinatorial_optimization_supplement_volume_1_handbook_of_combinatorial_optimization_supplement_volume_1.pdf)

## **Table of Contents Massey Ferguson Square Baler 120 Manual**

1. Understanding the eBook Massey Ferguson Square Baler 120 Manual
  - The Rise of Digital Reading Massey Ferguson Square Baler 120 Manual
  - Advantages of eBooks Over Traditional Books
2. Identifying Massey Ferguson Square Baler 120 Manual
  - Exploring Different Genres
  - Considering Fiction vs. Non-Fiction
  - Determining Your Reading Goals
3. Choosing the Right eBook Platform
  - Popular eBook Platforms
  - Features to Look for in an Massey Ferguson Square Baler 120 Manual
  - User-Friendly Interface
4. Exploring eBook Recommendations from Massey Ferguson Square Baler 120 Manual
  - Personalized Recommendations
  - Massey Ferguson Square Baler 120 Manual User Reviews and Ratings
  - Massey Ferguson Square Baler 120 Manual and Bestseller Lists
5. Accessing Massey Ferguson Square Baler 120 Manual Free and Paid eBooks
  - Massey Ferguson Square Baler 120 Manual Public Domain eBooks
  - Massey Ferguson Square Baler 120 Manual eBook Subscription Services
  - Massey Ferguson Square Baler 120 Manual Budget-Friendly Options
6. Navigating Massey Ferguson Square Baler 120 Manual eBook Formats
  - ePub, PDF, MOBI, and More
  - Massey Ferguson Square Baler 120 Manual Compatibility with Devices
  - Massey Ferguson Square Baler 120 Manual Enhanced eBook Features
7. Enhancing Your Reading Experience
  - Adjustable Fonts and Text Sizes of Massey Ferguson Square Baler 120 Manual
  - Highlighting and Note-Taking Massey Ferguson Square Baler 120 Manual
  - Interactive Elements Massey Ferguson Square Baler 120 Manual

8. Staying Engaged with Massey Ferguson Square Baler 120 Manual
  - Joining Online Reading Communities
  - Participating in Virtual Book Clubs
  - Following Authors and Publishers Massey Ferguson Square Baler 120 Manual
9. Balancing eBooks and Physical Books Massey Ferguson Square Baler 120 Manual
  - Benefits of a Digital Library
  - Creating a Diverse Reading Collection Massey Ferguson Square Baler 120 Manual
10. Overcoming Reading Challenges
  - Dealing with Digital Eye Strain
  - Minimizing Distractions
  - Managing Screen Time
11. Cultivating a Reading Routine Massey Ferguson Square Baler 120 Manual
  - Setting Reading Goals Massey Ferguson Square Baler 120 Manual
  - Carving Out Dedicated Reading Time
12. Sourcing Reliable Information of Massey Ferguson Square Baler 120 Manual
  - Fact-Checking eBook Content of Massey Ferguson Square Baler 120 Manual
  - Distinguishing Credible Sources
13. Promoting Lifelong Learning
  - Utilizing eBooks for Skill Development
  - Exploring Educational eBooks
14. Embracing eBook Trends
  - Integration of Multimedia Elements
  - Interactive and Gamified eBooks

### **Massey Ferguson Square Baler 120 Manual Introduction**

In the digital age, access to information has become easier than ever before. The ability to download Massey Ferguson Square Baler 120 Manual has revolutionized the way we consume written content. Whether you are a student looking for course material, an avid reader searching for your next favorite book, or a professional seeking research papers, the option to download Massey Ferguson Square Baler 120 Manual has opened up a world of possibilities. Downloading Massey Ferguson Square Baler 120 Manual provides numerous advantages over physical copies of books and documents. Firstly, it is

incredibly convenient. Gone are the days of carrying around heavy textbooks or bulky folders filled with papers. With the click of a button, you can gain immediate access to valuable resources on any device. This convenience allows for efficient studying, researching, and reading on the go. Moreover, the cost-effective nature of downloading Massey Ferguson Square Baler 120 Manual has democratized knowledge. Traditional books and academic journals can be expensive, making it difficult for individuals with limited financial resources to access information. By offering free PDF downloads, publishers and authors are enabling a wider audience to benefit from their work. This inclusivity promotes equal opportunities for learning and personal growth. There are numerous websites and platforms where individuals can download Massey Ferguson Square Baler 120 Manual. These websites range from academic databases offering research papers and journals to online libraries with an expansive collection of books from various genres. Many authors and publishers also upload their work to specific websites, granting readers access to their content without any charge. These platforms not only provide access to existing literature but also serve as an excellent platform for undiscovered authors to share their work with the world. However, it is essential to be cautious while downloading Massey Ferguson Square Baler 120 Manual. Some websites may offer pirated or illegally obtained copies of copyrighted material. Engaging in such activities not only violates copyright laws but also undermines the efforts of authors, publishers, and researchers. To ensure ethical downloading, it is advisable to utilize reputable websites that prioritize the legal distribution of content. When downloading Massey Ferguson Square Baler 120 Manual, users should also consider the potential security risks associated with online platforms. Malicious actors may exploit vulnerabilities in unprotected websites to distribute malware or steal personal information. To protect themselves, individuals should ensure their devices have reliable antivirus software installed and validate the legitimacy of the websites they are downloading from. In conclusion, the ability to download Massey Ferguson Square Baler 120 Manual has transformed the way we access information. With the convenience, cost-effectiveness, and accessibility it offers, free PDF downloads have become a popular choice for students, researchers, and book lovers worldwide. However, it is crucial to engage in ethical downloading practices and prioritize personal security when utilizing online platforms. By doing so, individuals can make the most of the vast array of free PDF resources available and embark on a journey of continuous learning and intellectual growth.

### **FAQs About Massey Ferguson Square Baler 120 Manual Books**

How do I know which eBook platform is the best for me? Finding the best eBook platform depends on your reading preferences and device compatibility. Research different platforms, read user reviews, and explore their features before making a choice. Are free eBooks of good quality? Yes, many reputable platforms offer high-quality free eBooks, including

classics and public domain works. However, make sure to verify the source to ensure the eBook credibility. Can I read eBooks without an eReader? Absolutely! Most eBook platforms offer web-based readers or mobile apps that allow you to read eBooks on your computer, tablet, or smartphone. How do I avoid digital eye strain while reading eBooks? To prevent digital eye strain, take regular breaks, adjust the font size and background color, and ensure proper lighting while reading eBooks. What the advantage of interactive eBooks? Interactive eBooks incorporate multimedia elements, quizzes, and activities, enhancing the reader engagement and providing a more immersive learning experience. Massey Ferguson Square Baler 120 Manual is one of the best book in our library for free trial. We provide copy of Massey Ferguson Square Baler 120 Manual in digital format, so the resources that you find are reliable. There are also many Ebooks of related with Massey Ferguson Square Baler 120 Manual. Where to download Massey Ferguson Square Baler 120 Manual online for free? Are you looking for Massey Ferguson Square Baler 120 Manual PDF? This is definitely going to save you time and cash in something you should think about.

### **Find Massey Ferguson Square Baler 120 Manual :**

[handbook of combinatorial optimization supplement volume 1](#) [handbook of combinatorial optimization supplement volume 1](#)

**handbook for rhizobia methods in legume rhizobium technology classification of tumours**

[handbook of eeg interpretation](#)

[handbook of accelerator physics and engineering](#)

[handboek van de koninklijke nederlandse vereniging voor luchtvaart 1972](#)

*hand of poetry five mystic poets of persia*

[handbook for the magical party clown](#)

[handbook of local government fiscal health](#) [handbook of local government fiscal health](#)

*handbook of assessment and treatment planning for psychological disorders 2 or e*

[handboek reparatie onderhoud van dierbare dingen](#)

**half empty half full death is in perception volume 1**

**handbook of ethics in quantitative methodology multivariate applications series**

~~halliday-resnick-walker solutions manual~~

*handbook of korean vocabulary*

*hammer and tickle a cultural history of communism paperback november 9 2010*



**Massey Ferguson Square Baler 120 Manual :**

**romeo and juliet english readers level 3 amazon com** - Aug 03 2023

web feb 14 2019 romeo and juliet english readers level 3 mackinnon mairi shakespeare william 9781474942430 amazon com books books

romeo and juliet usborne english readers level 3 pdf 2023 - Jun 01 2023

web romeo and juliet usborne english readers level 3 pdf introduction romeo and juliet usborne english readers level 3 pdf 2023 the secret garden lesley sims

**english readers level 3 series books usborne be curious** - Oct 05 2023

web on this website you can browse and buy usborne books in english french german spanish catalan italian english readers level 3 english readers english

romeo and juliet usborne english readers level 3 pdf - Jul 22 2022

web usborne english readers level 3 romeo and juliet the play by william shakespeare with activities

romeo and juliet usborne english readers level 3 book - Aug 23 2022

web romeo and juliet usborne english readers level 3 3 3 greater depth writing while underpinning this with theoretical understanding we hope that reading this book helps

*english readers level 3 english readers elt usborne* - Nov 13 2021

*romeo and juliet usborne english readers level 3 by* - Mar 18 2022

web mar 2 2023 of guides you could enjoy now is romeo and juliet usborne english readers level 3 below the magic swan 2016 romeo and juliet anna claybourne

**romeo and juliet usborne english readers level 3** - Nov 25 2022

web romeo and juliet anna claybourne 2014 03 11 romeo and juliet are in love but their families are bitter enemies set in medieval vienna a place of sword fights secrets and

*usborme english reader level 3 romeo and juliet* - Apr 30 2023

web it s the most famous love story in the world romeo and juliet s families hate each other but when the two young people fall in love can they bring the families together and be

**downloadable free pdfs romeo and juliet usborne english** - Sep 23 2022

web romeo and juliet usborne english readers level 3 emergency murder feb 01 2021 when the wife of her lover dr hank myer is poisoned to death presumably by poison

*romeo and juliet penguin readers level 3 pdf scribd* - Sep 04 2023

web save save romeo and juliet penguin readers level 3 for later 10 10 found this document useful mark this document as useful 90 90 found this document not

**romeo and juliet usborne english readers level 3 william** - Feb 14 2022

web english readers level 3 english readers level 3 these titles are suitable for students at intermediate level cefr level b1 the stories are adaptations of longer novels and

romeo and juliet usborne english readers level 3 - Jan 28 2023

web romeo and juliet s families hate each other but when the two young people fall in love can they bring the families together and be happy includes a word list 5 pages of

romeo and juliet usborne english readers level 3 kenneth - Oct 25 2022

web romeo and juliet usborne english readers level 3 romeo juliet may 12 2020 romeo and juliet are in love but their families are bitter enemies set in medieval

**romeo and juliet usborne english readers level 3 goodreads** - Jul 02 2023

web feb 14 2019 romeo and juliet usborne english readers level 3 by mairi mackinnon goodreads jump to ratings and reviews want to read buy on amazon rate this book

english readers level 3 series books usborne be curious - Dec 15 2021

web english readers level 3 these titles are suitable for students at intermediate level cefr level b1 the stories are adaptations of longer novels and plays by classic british and

*romeo and juliet english readers level 3 paperback* - Dec 27 2022

web we come up with the money for romeo and juliet usborne english readers level 3 and numerous books collections from fictions to scientific research in any way among them

*romeo and juliet usborne english readers level 3 uniport edu* - Apr 18 2022

web find many great new used options and get the best deals for romeo and juliet usborne english readers level 3 by mackinnon mairi book the at the best online

**english readers level 3 english readers elt usborne** - Jan 16 2022

web viewing elt english language teaching english readers viewing english readers english readers starter level english readers level 1 english readers level 2

**english readers level 3 romeo and juliet mairi** - May 20 2022

web jul 24 2023 romeo and juliet usborne english readers level 3 2 5 downloaded from uniport edu ng on july 24 2023 by guest death david reaches out to an uncle who

**romeo and juliet usborne english readers level 3** - Mar 30 2023

web romeo and juliet usborne english readers level 3 owls jul 14 2021 a fascinating glimpse into the secret world of owls following a baby owl as it grows up and learns to

**romeo and juliet usborne english readers level 3 2023** - Feb 26 2023

web romeo and juliet usborne english readers level 3 romeo and juliet illustrated william shakespeare 2020 09 17 romeo and juliet is a tragic play written early in the

usborme english readers review card - Jun 20 2022

web romeo and juliet s families hate each other but when the two youg people fall in love can they bring the fam books

authors canadian authors kids teens get weekly ebook

gillig bus service manual blogs post gazette com - Dec 18 2021

**medair** - Mar 21 2022

web İngilizce türkçe online sözlük tureng kelime ve terimleri çevir ve farklı aksanlarda sesli dinleme service bus otobüs avustralya school bus service okul servisi ne demek

**tureng service bus türkçe İngilizce sözlük** - Nov 16 2021

*gillig bus service manuals pdf bus coach manuals pdf* - Aug 26 2022

web bus repair manual gillig is user friendly in our digital library an online admission to it is set as public consequently you can download it instantly our digital library saves in multipart

*parts gillig* - Oct 28 2022

web from initial design through final assembly each and every gillig bus is designed and built by dedicated americans in california our 100 u s presence creates american jobs

gillig low floor manuals manualslib - Jun 04 2023

web find many great new used options and get the best deals for gillig low floor transit bus coach repair shop service manual 79505 79506 at the best online prices at ebay

**gillig low floor service manual pdf** - Sep 07 2023

web we have 1 gillig low floor manual available for free pdf download service manual gillig low floor service manual 506 pages brand gillig category buses

**gillig bus service manuals pdf bus coach manuals pdf** - Mar 01 2023

web our large parts warehouse is a true class a facility stocked with a huge assortment of the right parts to keep your buses on the road non gillig bus parts full service parts

**customer name electrical schematics manual bidnet** - Dec 30 2022

web some gillig bus service manuals pdf are upper the page gillig joint is a us based business product based in hayward carlos because an every performance of 1200 to

[gillig low floor transit bus coach repair shop service](#) - Jan 31 2023

web dec 8 2019 section 1 introduction this guide instructs users of the modine efan system on how to connect to its diagnostic system download data logs monitor current status

**gillig buspdfmanuals** - Aug 06 2023

web some gillig bus service manuals pdf are above the page gillig corporation is a us based bus makers established in hawward california with an per production of 1200 to

[gillig bus service manuals pdf bus coach](#) - Oct 08 2023

web jul 17 2023 some gillig bus service reference pdf are back the page gillig organization is a us based bus manufacturer based in hayward california with an

*bus repair manual gillig help environment harvard edu* - Apr 21 2022

web title gillig bus service manual author blogs post gazette com 2023 10 28t00 00 00 00 01 subject gillig bus service manual keywords gillig bus service

*gillig bus service manual 2023 brabantmagazines* - Jan 19 2022

**gillig bus service manuals pdf bus coach manuals pdf** - Jul 05 2023

web some gillig omnibus service manuals pdf are above the page gillig corporation is a us based bus manufacturer based includes hayward california to an annual

[morgül teknik servis gaziosmanpasa neredede otobüs metro](#) - Feb 17 2022

*nfpa* - Jul 25 2022

web medair

*gillig bus service manuals pdf bus coach manuals pdf* - Apr 02 2023

web dec 2 2014 i m trying to find a service repair manual 2002 gillig bus low floor do you know where i can find one answered by a verified technician

*bus repair manual gillig pdf free support ortax* - May 23 2022

web buses 30 ft or less in length as replacements for large buses in fixed route scheduled servcice or those used in innovative more flexible operations such as route deviation or

**gillig** - Jun 23 2022

web moovit morgül teknik servis konumuna toplu taşıma kullanarak gitmenin en iyi yolunu bulmanıza yardım eder ve gaziosmanpasa için güncel otobüs metro minibüs dolmuş

*gillig electric bus diagnostic software user guide* - Sep 26 2022

web bus repair manual gillig pdf introduction bus repair manual gillig pdf free abc s of afv s bob aldrich 1995 02 01 an overview of alternative fuel vehicles

*buses gillig* - May 03 2023

web this manual contains electrical schematics and other electrical system information for the gillig low floor transit bus the information pertains to standard installed equipment

**gillig bus service operator manuals find repair justanswer** - Nov 28 2022

web nfpfa

**aylin personalized journal custom name journal teal with** - Sep 13 2023

web aylin personalized journal custom name journal teal with pink and red flowers journal for girls 6 x 9 sized 150 pages personalized journal gift for teachers

aylin personalized journal custom name journal pink rose - Jul 11 2023

web aylin personalized journal custom name journal pink rose journal for girls 6 x 9 sized 110 pages personalized journal for women custom gift for teachers

**aylin personalized journal for aylin gold personalized name** - Dec 04 2022

web aylin personalized journal for aylin gold personalized name notebook for the beautiful girl in your life journals nadin amazon com au books

*jiang yulin senior editor world scientific publishing linkedin* - Apr 27 2022

web about detailed oriented responsible and author centric editor with nearly a decade of publishing experience possess an extensive network of high profile personalities with a

**amazon com aylin personalized name journal for women and** - May 09 2023

web oct 31 2020 amazon com aylin personalized name journal for women and girls to write in customized notebook with customized first name for holiday gifts ideas

**aylin floral personalized notebook with custom name** - Jun 29 2022

web personalized notebook for aylin this journal features printed on premium quality softcover the notebook contains 120 narrow lined pages and measures 6 x 9 inches

aylin flower notebook writing journal for girls personalized - Sep 01 2022

web this beautifully designed customized journal will make the perfect gift for you or your loved aylin flower notebook writing journal for girls personalized with name

[aylin stylinbyaylin com stylinbyaylin instagram](#) - Jul 31 2022

web 2m followers 1 356 following 5 374 posts see instagram photos and videos from aylin stylinbyaylin com stylinbyaylin aylin i m aylin nootbook ruled 6x9 100 pages ruled writing - May 29 2022

web an awesome gift for you or for someone you love this journal is an amazing accessory for you to keep track of your adventures experiences impressions memories and

*aylin personalized journal for aylin gold personalized name* - Nov 03 2022

web aug 22 2021 aylin personalized journal for aylin gold personalized name notebook for the beautiful girl in your life journals nadin on amazon com free

[aylin s journal stylish minimal dotted bullet journal to write in](#) - Mar 07 2023

web aylin s journal stylish minimal dotted bullet journal to write in for women and girls personalized floral bullet journal notebook dot grid with girl spreads for university

[jual novel ay lin karya deejuenii gramedia com](#) - Feb 23 2022

web jul 11 2022 fiqh sunnah lin nisaa jilid 2 ensiklopedi fiqih wanita rp 110 000 syaikh abu malik kamal fiqh sunnah lin nissa rp 175 000 syaikh abu malik kamal bin

**publications professor paul aylin imperial college london** - Mar 27 2022

web alboksmaty a beaney t elkin s clarke j darzi a aylin p neves al et al 2022 effectiveness and safety of pulse oximetry in remote patient monitoring of patients with

**jual psm notebook a5 buku tulis spiral motif lucu aesthetic** - Jan 25 2022

web beli psm notebook a5 buku tulis spiral motif lucu aesthetic garis buku catatan journaling diary planner journal murah terbaru harga murah di shopee ada

**aylin personalized journal to write in notebook for girls and** - Jan 05 2023

web aylin personalized journal to write in notebook for girls and women watercolor floral monogram initials names notebook with a fee unicorn 6x9 120 pages

*amazon com aylin personalized journal to write in notebook* - Dec 24 2021

web mar 27 2020 amazon com aylin personalized journal to write in notebook printed glitter black and gold notebook journal 110 pages 7x10 inch christmas gift

*aylin journal personalized name journal for women girls* - Feb 06 2023

web buy aylin journal personalized name journal for women girls personalized journal for aylin aylin s personal writing

journal lined 110 pages for writing and note taking

*aylin personalized writing journal notebook for g 2023* - Oct 02 2022

web looking for a nice notebook this is a great journal or notebook to write down your thoughts to be creative with poems or just to write down ideas perfect for school job

*aylin personalized undated planner notebooks journals with* - Oct 14 2023

web aylin personalized undated planner notebooks journals with name and monogram for girls and women to write in perfect gifts for her as a personal with premium gold

**aylin you are stronger than you think amazon singapore** - Aug 12 2023

web aylin you are stronger than you think personalized initial name writing journal notebook for girls and women perfect uplifting inspirational leather design

*amazon com aylin personalized journal to write in notebook* - Jun 10 2023

web jan 9 2020 amazon com aylin personalized journal to write in notebook for girls and women watercolor floral monogram initials names notebook with a fee unicorn

**aylin journal lined journal notebook personalized name** - Apr 08 2023

web aylin journal lined journal notebook personalized name aylin gift aylin s personal writing journal 100 pages for writing and note taking for women