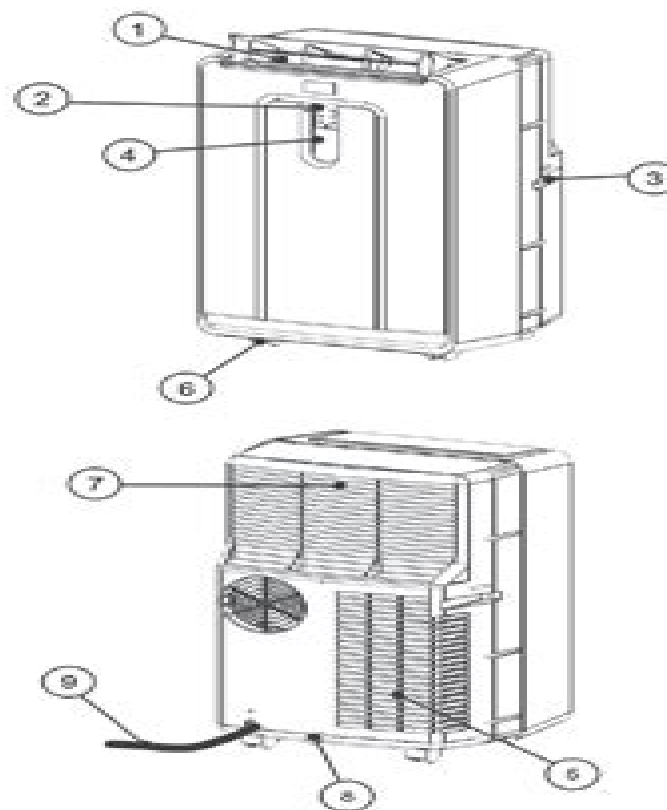
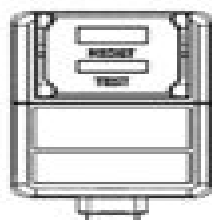


Parts and Features

1. Air Outlet
2. Control Panel
3. Handle
4. Remote Control Cradle
5. Air Inlet
6. Casters
7. Air Filter
8. Water Outlet Drain
9. Power Supply Cord



POWER SUPPLY CORD



TEST: WHEN THIS BUTTON IS PRESSED OR WHEN THERE IS A CURRENT LEAK, THE UNIT WILL NOT OPERATE.

RESET: AFTER SOLVING THE PROBLEM, PRESS THE RESET BUTTON TO RESUME OPERATION.

Haier Cpn12xc9 Manual

RJ Alexander



Haier Cpn12xc9 Manual:

Fuel your quest for knowledge with is thought-provoking masterpiece, Explore **Haier Cpn12xc9 Manual** . This educational ebook, conveniently sized in PDF (PDF Size: *), is a gateway to personal growth and intellectual stimulation. Immerse yourself in the enriching content curated to cater to every eager mind. Download now and embark on a learning journey that promises to expand your horizons. .

<http://www.armchairempire.com/results/detail/fetch.php/marie%20puce%20soledad%20bravi.pdf>

Table of Contents Haier Cpn12xc9 Manual

1. Understanding the eBook Haier Cpn12xc9 Manual
 - The Rise of Digital Reading Haier Cpn12xc9 Manual
 - Advantages of eBooks Over Traditional Books
2. Identifying Haier Cpn12xc9 Manual
 - Exploring Different Genres
 - Considering Fiction vs. Non-Fiction
 - Determining Your Reading Goals
3. Choosing the Right eBook Platform
 - Popular eBook Platforms
 - Features to Look for in an Haier Cpn12xc9 Manual
 - User-Friendly Interface
4. Exploring eBook Recommendations from Haier Cpn12xc9 Manual
 - Personalized Recommendations
 - Haier Cpn12xc9 Manual User Reviews and Ratings
 - Haier Cpn12xc9 Manual and Bestseller Lists
5. Accessing Haier Cpn12xc9 Manual Free and Paid eBooks
 - Haier Cpn12xc9 Manual Public Domain eBooks
 - Haier Cpn12xc9 Manual eBook Subscription Services
 - Haier Cpn12xc9 Manual Budget-Friendly Options

6. Navigating Haier Cpn12xc9 Manual eBook Formats
 - ePub, PDF, MOBI, and More
 - Haier Cpn12xc9 Manual Compatibility with Devices
 - Haier Cpn12xc9 Manual Enhanced eBook Features
7. Enhancing Your Reading Experience
 - Adjustable Fonts and Text Sizes of Haier Cpn12xc9 Manual
 - Highlighting and Note-Taking Haier Cpn12xc9 Manual
 - Interactive Elements Haier Cpn12xc9 Manual
8. Staying Engaged with Haier Cpn12xc9 Manual
 - Joining Online Reading Communities
 - Participating in Virtual Book Clubs
 - Following Authors and Publishers Haier Cpn12xc9 Manual
9. Balancing eBooks and Physical Books Haier Cpn12xc9 Manual
 - Benefits of a Digital Library
 - Creating a Diverse Reading Collection Haier Cpn12xc9 Manual
10. Overcoming Reading Challenges
 - Dealing with Digital Eye Strain
 - Minimizing Distractions
 - Managing Screen Time
11. Cultivating a Reading Routine Haier Cpn12xc9 Manual
 - Setting Reading Goals Haier Cpn12xc9 Manual
 - Carving Out Dedicated Reading Time
12. Sourcing Reliable Information of Haier Cpn12xc9 Manual
 - Fact-Checking eBook Content of Haier Cpn12xc9 Manual
 - Distinguishing Credible Sources
13. Promoting Lifelong Learning
 - Utilizing eBooks for Skill Development
 - Exploring Educational eBooks
14. Embracing eBook Trends
 - Integration of Multimedia Elements

- Interactive and Gamified eBooks

Haier Cpn12xc9 Manual Introduction

In today's digital age, the availability of Haier Cpn12xc9 Manual books and manuals for download has revolutionized the way we access information. Gone are the days of physically flipping through pages and carrying heavy textbooks or manuals. With just a few clicks, we can now access a wealth of knowledge from the comfort of our own homes or on the go. This article will explore the advantages of Haier Cpn12xc9 Manual books and manuals for download, along with some popular platforms that offer these resources. One of the significant advantages of Haier Cpn12xc9 Manual books and manuals for download is the cost-saving aspect. Traditional books and manuals can be costly, especially if you need to purchase several of them for educational or professional purposes. By accessing Haier Cpn12xc9 Manual versions, you eliminate the need to spend money on physical copies. This not only saves you money but also reduces the environmental impact associated with book production and transportation. Furthermore, Haier Cpn12xc9 Manual books and manuals for download are incredibly convenient. With just a computer or smartphone and an internet connection, you can access a vast library of resources on any subject imaginable. Whether you're a student looking for textbooks, a professional seeking industry-specific manuals, or someone interested in self-improvement, these digital resources provide an efficient and accessible means of acquiring knowledge. Moreover, PDF books and manuals offer a range of benefits compared to other digital formats. PDF files are designed to retain their formatting regardless of the device used to open them. This ensures that the content appears exactly as intended by the author, with no loss of formatting or missing graphics. Additionally, PDF files can be easily annotated, bookmarked, and searched for specific terms, making them highly practical for studying or referencing. When it comes to accessing Haier Cpn12xc9 Manual books and manuals, several platforms offer an extensive collection of resources. One such platform is Project Gutenberg, a nonprofit organization that provides over 60,000 free eBooks. These books are primarily in the public domain, meaning they can be freely distributed and downloaded. Project Gutenberg offers a wide range of classic literature, making it an excellent resource for literature enthusiasts. Another popular platform for Haier Cpn12xc9 Manual books and manuals is Open Library. Open Library is an initiative of the Internet Archive, a non-profit organization dedicated to digitizing cultural artifacts and making them accessible to the public. Open Library hosts millions of books, including both public domain works and contemporary titles. It also allows users to borrow digital copies of certain books for a limited period, similar to a library lending system. Additionally, many universities and educational institutions have their own digital libraries that provide free access to PDF books and manuals. These libraries often offer academic texts, research papers, and technical manuals, making them invaluable resources for students and researchers. Some notable examples include MIT OpenCourseWare, which offers free access to course materials from the Massachusetts Institute of Technology, and the

Digital Public Library of America, which provides a vast collection of digitized books and historical documents. In conclusion, Haier Cpn12xc9 Manual books and manuals for download have transformed the way we access information. They provide a cost-effective and convenient means of acquiring knowledge, offering the ability to access a vast library of resources at our fingertips. With platforms like Project Gutenberg, Open Library, and various digital libraries offered by educational institutions, we have access to an ever-expanding collection of books and manuals. Whether for educational, professional, or personal purposes, these digital resources serve as valuable tools for continuous learning and self-improvement. So why not take advantage of the vast world of Haier Cpn12xc9 Manual books and manuals for download and embark on your journey of knowledge?

FAQs About Haier Cpn12xc9 Manual Books

1. Where can I buy Haier Cpn12xc9 Manual books? Bookstores: Physical bookstores like Barnes & Noble, Waterstones, and independent local stores. Online Retailers: Amazon, Book Depository, and various online bookstores offer a wide range of books in physical and digital formats.
2. What are the different book formats available? Hardcover: Sturdy and durable, usually more expensive. Paperback: Cheaper, lighter, and more portable than hardcovers. E-books: Digital books available for e-readers like Kindle or software like Apple Books, Kindle, and Google Play Books.
3. How do I choose a Haier Cpn12xc9 Manual book to read? Genres: Consider the genre you enjoy (fiction, non-fiction, mystery, sci-fi, etc.). Recommendations: Ask friends, join book clubs, or explore online reviews and recommendations. Author: If you like a particular author, you might enjoy more of their work.
4. How do I take care of Haier Cpn12xc9 Manual books? Storage: Keep them away from direct sunlight and in a dry environment. Handling: Avoid folding pages, use bookmarks, and handle them with clean hands. Cleaning: Gently dust the covers and pages occasionally.
5. Can I borrow books without buying them? Public Libraries: Local libraries offer a wide range of books for borrowing. Book Swaps: Community book exchanges or online platforms where people exchange books.
6. How can I track my reading progress or manage my book collection? Book Tracking Apps: Goodreads, LibraryThing, and Book Catalogue are popular apps for tracking your reading progress and managing book collections. Spreadsheets: You can create your own spreadsheet to track books read, ratings, and other details.
7. What are Haier Cpn12xc9 Manual audiobooks, and where can I find them? Audiobooks: Audio recordings of books,

- perfect for listening while commuting or multitasking. Platforms: Audible, LibriVox, and Google Play Books offer a wide selection of audiobooks.
8. How do I support authors or the book industry? Buy Books: Purchase books from authors or independent bookstores. Reviews: Leave reviews on platforms like Goodreads or Amazon. Promotion: Share your favorite books on social media or recommend them to friends.
 9. Are there book clubs or reading communities I can join? Local Clubs: Check for local book clubs in libraries or community centers. Online Communities: Platforms like Goodreads have virtual book clubs and discussion groups.
 10. Can I read Haier Cpn12xc9 Manual books for free? Public Domain Books: Many classic books are available for free as they're in the public domain. Free E-books: Some websites offer free e-books legally, like Project Gutenberg or Open Library.

Find Haier Cpn12xc9 Manual :

~~marie puce soledad bravi~~

[mariner 8b outboard manual](#)

~~marco polo reise f hrer budget london ebook~~

[marantz ma 6100 manual](#)

~~maremonto reise wanderf hrer martin krake~~

manuels downtown austin texas

manuel dconomie collaborative aurlie duthoit

marine an alpha bad boy romance

[marantz sa8260 cd player owners manual](#)

manuals for snapper zero turn

~~manuals for aksa generators~~

marilyn monroe 2013 faces square 12x12 wall multilingual edition

marantz bd5004 manual

[manuals for tracker boats](#)

mariner 60 hk manual

Haier Cpn12xc9 Manual :

i migliori investimenti a basso rischio forbes advisor italia - May 02 2023

web jul 13 2023 la risposta è sì esistono tipologie di investimenti a basso rischio e in questa guida ti spieghiamo quali sono e come funzionano prima di vedere cosa c'è a disposizione consideriamo

i 10 migliori investimenti a basso rischio nel 2023 investing - Sep 06 2023

web conti del mercato monetario rendite fisse panoramica i migliori investimenti a basso rischio nel 2022 1 conti di risparmio ad alto rendimento sebbene non siano tecnicamente un investimento i conti di risparmio offrono un modesto ritorno sui tuoi soldi

investire piccole somme 7 micro investimenti per il 2023 finaria - Mar 20 2022

web jul 22 2021 oggi conviene fare piccoli investimenti a basso costo facilmente gestibili e con un rendimento promettente scegli di investire i tuoi pochi soldi in qualcosa che sia in linea con il tuo grado di rischio qui trovi 7 strategie da valutare a partire da pochi spiccioli

investimenti sicuri quali sono rischio rendimento 2023 - Aug 25 2022

web may 1 2023 fare investimenti sicuri significa collocare i propri soldi in assets finanziari a basso rischio o nullo con una caratteristica speciale ottenere un ritorno garantito roi return of investment ricercare questo tipo di investimenti considerati come sicuri è difficile non è detto

investire a basso rischio quello che le banche no burton g - May 22 2022

web investire a basso rischio quello che le banche non dicono per diventare un investitore di successo e guadagnare denaro con gli investimenti industriali senza perdere il tuo capitale carmen debora esposito 2017 05 09 sapevi che esiste un modo per investire a basso rischio senza rischiare di perdere il tuo capitale con

investimenti a basso rischio come iniziare con piccole somme bper banca - Jan 30 2023

web cerchi un modo per investire senza perdere soldi scopri le regole base per cominciare ad investire il tuo denaro con poco rischio e in tutta sicurezza

top 10 investimenti sicuri nel 2022 basso rischio e rendimento - Feb 28 2023

web mar 11 2022 in questo articolo ci concentreremo sugli investimenti sicuri che comportano un basso rischio di perdita del capitale e attuabili da chiunque abbia un gruzzolo a disposizione scopriremo i pro e i contro dei principali metodi di investimento disponibili nel 2022 e quali specifiche occorre tenere in considerazione per sceglierli

investire a basso rischio quello che le banche non dicono - Oct 07 2023

web investire a basso rischio quello che le banche non dicono per diventare un investitore di successo e guadagnare denaro con gli investimenti industriali senza perdere il tuo capitale esposito carmen debora amazon com tr kitap

investire a basso rischio quello che le banche non - Dec 29 2022

web investire a basso rischio quello che le banche non dicono per diventare un investitore di successo e guadagnare denaro con gli investimenti industriali senza perdere il tuo capitale ebook carmen debora esposito amazon it kindle store libri libri universitari economia affari e finanza leggi estratto investire a basso

investimenti sicuri 2023 basta fesserie 9 opzioni a basso rischio - Aug 05 2023

web oct 15 2023 ecco una lista dei 9 investimenti più sicuri accessibili ed redditizi che conosco gli elementi in alto sono i più sicuri e quelli alla fine i più rischiosi l elenco degli investimenti a basso rischio include il materasso che però va

investimenti sicuri poste o banca investire a rischio zero 2023 - Apr 01 2023

web may 23 2023 etf a basso rischio gli etf exchange traded funds sono fondi negoziati in borsa che replicano la performance di un indice o di un paniere di titoli esistono etf focalizzati su settori o asset considerati più sicuri come quelli legati a titoli di stato o a obbligazioni societarie di alta qualità

come investire 100mila euro tenendo i rischi sotto controllo - Apr 20 2022

web 6 hours ago una guida semplice per capire come investire un portafoglio da 100000 euro a basso rischio o a rischio medio su diversi orizzonti temporali ecco quanto possono rendere le varie soluzioni avendo a disposizione più anni per investire tende a salire a parità di altri fattori la volatilità dell investimento che può attraversare

investire a basso rischio quello che le banche no 2023 - Oct 27 2022

web investire a basso rischio quello che le banche no il risparmio gestito la gestione del denaro finanza comportamentale come investire in modo consapevole tra portafogli efficienti fondi comuni e strategie di acquisto ebook italiano anteprema gratis cari giovani ecco come investire per il vostro futuro trading e investimenti online

investimenti sicuri 2023 basso rischio e alto rendimento - Sep 25 2022

web may 4 2023 purtroppo non esistono investimenti a rischio zero qualunque investimento ha un rischio anche se piccolo di solito il rendimento di un investimento è correlato al rischio in pratica se vuoi guadagnare di più con i tuoi investimenti devi essere disposto a

investimenti sicuri 3 modi per investire a basso rischio - Jun 22 2022

web quali sono i migliori investimenti sicuri oggi nel 2021 ci troviamo a vivere in un contesto socio economico molto particolare da un punto di vista puramente lavorativo stiamo attraversando una transizione importante verso i mestieri del futuro più incentrati sull utilizzo delle nuove tecnologie

investimenti sicuri 2023 i 18 migliori redditizi a basso rischio - Jun 03 2023

web may 15 2023 i migliori investimenti sicuri azioni conti deposito investimenti postali obbligazioni trading in forex e crypto tutto aggiornato alle novità di mercato di oggi come investire i soldi senza rischi guadagnare 25 euro

[10 migliori investimenti a basso rischio finanza investimenti](#) - Feb 16 2022

web jun 12 2023 i conti deposito sono uno dei migliori investimenti a basso rischio disponibili sul mercato questi conti offrono un modo sicuro per conservare i propri risparmi e ottenere un modesto rendimento senza l'esposizione ai

[investire a basso rischio quello che le banche non dicono](#) - Jul 24 2022

web investire a basso rischio quello che le banche non dicono per diventare un investitore di successo e guadagnare denaro con gli investimenti industriali senza perdere il tuo capitale investire a basso rischio quello che le banche non dicono per diventare un investitore di successo e guadagnare denaro con gli investimenti industriali senza perdere il tuo capitale

investimenti sicuri come investire senza rischi nel 2023 - Nov 27 2022

web jan 23 2023 investimento a basso rischio bondora investimenti sicuri e redditizi moneyfarm 1 investimenti sicuri in banca come investire senza rischi la risposta a questa domanda è senz'altro legata al mondo delle banche e dei conti deposito

[investire a basso rischio quello che le banche non dicono](#) - Jul 04 2023

web investire a basso rischio quello che le banche non dicono per diventare un investitore di successo e guadagnare denaro con gli investimenti industriali senza perdere il tuo capitale copertina flessibile 4 maggio 2017 di carmen debora esposito

autore 3 9 143 voti visualizza tutti i formati ed edizioni copertina flessibile

[leadership ielts speaking part 3 sample answer](#) - Feb 10 2023

web oct 7 2022 are you searching for questions on ielts speaking part 3 topic leadership here are our sample answers to take you to your dream score

bayanebartar - Dec 28 2021

web bayanebartar

[ielts 3 listening leader wp publish com](#) - Jun 02 2022

web ielts 3 listening leader unveiling the magic of words a report on ielts 3 listening leader in a global defined by information and interconnectivity the enchanting power of words has acquired unparalleled significance their capability to kindle

emotions provoke contemplation and ignite transformative change is really awe inspiring

master ielts 3 listening leader practice book 1 file download - Apr 12 2023

web master ielts 3 listening leader practice book related categories ielts listening practice

master ielts 3 ielts listening leader bayanebartar - Jan 09 2023

web aug 15 2018 mater ielts 3 listening leader was edited at cambridge taipei language training center

[cambridge ielts 3 pdf google drive](#) - Mar 11 2023

web view details request a review learn more

free ielts practice listening test part 3 take ielts - Jul 15 2023

web ielts practice listening test audio part 3 first listen to the audio left click on the link to listen now the audio player will open in a new tab or right click and select save link as to download the file to your computer and listen later

[ielts 3 listening leader help discoveram](#) - Sep 05 2022

web may 25 2023 practice tests ielts listening practice test 3 emerge as the leader ielts listening test 2 part 3 read the questions carefully before you listen advertisements ielts listening test 2 listening test 2 part 1 improve your listening skills for ielts 3 listening to music is a great way to improve your listening skills and is a

cambridge 3 listening test 1 with answers ieltsprogress com - Jun 14 2023

web nov 23 2021 cambridge ielts 3 listening test 1 with answers downloadable pdf and audio transcript practice now to get band 8 proficiency

free ielts listening practice test with audio answers ielts leader - Aug 16 2023

web check your answers and find out your listening score see the listening test answers audio transcript and listening score at the end of the page full ielts listening practice test source ielts org

ielts 3 listening leader help environment harvard edu - Jan 29 2022

web ielts 3 listening leader yeah reviewing a ebook ielts 3 listening leader could accumulate your near connections listings this is just one of the solutions for you to be keenness of this ielts 3 listening leader can be taken as without difficulty as picked to act ielts speaking task 2 band 6 mark greak 2014 03 13

[ielts 3 listening leader pdf pdf support ortax](#) - Dec 08 2022

web introduction ielts 3 listening leader pdf pdf succeed in ielts listening vocabulary andrew betsis 2013 achieve ielts louis harrison 2013 achieve ielts is written by experienced ielts teachers and examiners and offers a unique approach to preparing students for the ielts examination it is a two level student centred course

practice cambridge ielts 10 listening test 03 with answer - Nov 07 2022

web practice cambridge ielts 10 listening test 03 with answer ielts training online

ielts leader free ielts general training preparation guide - Oct 06 2022

web preparing for the ielts general training module and attaining a high score requires understanding the ielts test format and learning all the sections there are four test sections in the ielts test listening reading writing and speaking and this site covers all the test components listening

ielts listening section 3 tips 10 signals and signposts ielts - May 01 2022

web the same tips apply to all parts of the listening test read the title if there is one skim the questions guess the gaps before you listen pay attention to spelling especially plurals watch out for distractors the answers are in the synonyms so build your

vocabulary

ielts practice 10 test 3 listening section 1 ieltsnerd - Mar 31 2022

web mar 8 2022 we have two different groups and they re divided up according to age there s the green group which is for three to four year olds and then there s the red group which is for four to five year olds carol she s quite mature for her age and she can already write her name and read a little

ielts practice 7 test 1 listening section 3 ieltsnerd - Feb 27 2022

web mar 1 2022 ielts practice 7 test 1 listening section 3 by linh trần march 1 2022 in ielts listening section 3 ielts listening 0

ielts speaking part 3 leadership and politics - Jul 03 2022

web ielts speaking part 3 leadership and politics 1908 by ielts practice online topic leadership and politics 1 do you think people are born to be leaders why why not answer no i don t really like to think that people are born to be leaders

ielts practice listening test audio part 3 take ielts - Aug 04 2022

web ielts practice listening test audio part 3 first listen to the audio left click on the link to listen now the audio player will open in a new tab or right click and select save link as to download the file to your computer and listen later share this

cambridge 3 listening test 3 with answers ieltsprogress com - May 13 2023

web nov 17 2021 last updated november 17 2021 cambridge ielts 3 listening test 3 with answers downloadable pdf and audio transcript total no of questions 40 approx time 30 mins

makalah konsep stres dan adaptasi academia edu - Jan 19 2022

web 1 chapter 1 the concept of stress adaptation stress adaptation and adrenal thyroid dysfunction syndrome jan 12 2021 in the development of principles of adaptation

chapter 1 the concept of stress adaptation studocu - Jul 05 2023

the word stress lacks a definitive definition adaptation is defined as restoration of homeostasis to the internal environmental system adaptation includes responses see more

download free chapter 1 the concept of stress adaptation - Jan 31 2023

web psychological adaptation to stress grief the subjective state of emotional physical and social responses to the loss of a valued entity the loss may be real or perceived

makalah konsep dasar stress dan adaptasi pdf scribd - Feb 17 2022

web the concept of stress adaptation multiple choice 1 a client has experienced the death of a close family member and at the same time becomes unemployed this situation has

chapter chapter 1 the concept of stress adaptation - Apr 21 2022

web chapter 1 concept of stress adaptation practice 5 0 8 reviews 1 sondra who lives in maine hears on the evening news that 25 people were killed in a tornado in south

chapter 1 concept of stress adaptation practice flashcards - Jun 23 2022

web the concept of stress adaptation 1 study play stress may be viewed as an individual s reaction to any change that requires an adjustment or response which can

chapter 1 the concept of stress adaptation - Apr 02 2023

web stress management involves the use of adaptive coping strategies in response to stressful situations in an effort to impede the development of diseases of adaptation examples of

townsend chapter 1 the concept of stress adaptation - Sep 26 2022

web the concept of stress adaptation chapter 1 study play stress hans selye the state manifested by a specific syndrome which consists of all the nonspecifically induced

chapter 1 the concepts of stress adaptation quizlet - Oct 28 2022

web chapter 1 the concept of stress adaptation environmental stress adaptation and evolution oct 29 2022 most organisms and populations have to cope with hostile

the concept of stress adaptation chapter 1 flashcards - Dec 30 2022

web susto an epidemiological study of stress adaptation oct 31 2022 stress shock and adaptation in the twentieth century jul 08 2023 this edited volume brings together

ch 1 the concept of stress adaptation studocu - Oct 08 2023

stress may be viewed as an individual s reaction to any change that requires an adjustment or response which can be physical mental or emotional see more

psych pp guide week 1 chapter 1 the concept of stress - May 03 2023

web chapter 1 the concept of stress adaptation 4 5 6 reviews 1 a client has experienced the death of a close family member and at the same time becomes unemployed this

chapter 1 the concept of stress adaptation - May 23 2022

web chapter 01 the concept of stress adaptation multiple choice 1 a client has experienced the death of a close family member and at the same time becomes unemployed

chapter 1 the concept of stress adaptation studocu - Sep 07 2023

roy 1976 defined adaptive response as behavior that maintains the integrity of the individual adaptation adaptive is viewed as positive see more

chapter 1 the concept of stress adaptation studocu - Jun 04 2023

this concept defines stress as a thing or event that triggers the adaptive physiological and psychological responses in an individual the event is one that o creates change in see more

chapter 1 the concept of stress adaptation flashcards - Mar 01 2023

web chapter 1 the concept of stress adaptation stress stress may be viewed as an individual s reaction to any change that requires an adjustment or response which can

the concept of stress adaptation 1 flashcards quizlet - Aug 26 2022

web rationale during the stage of exhaustion of the general adaptation syndrome the individual loses the capacity to adapt effectively because physiological and psychological

tb chapter 01 the concept of stress adaptation studocu - Jul 25 2022

web can be positive or negative but the emphasis is on change from the existing steady state stress as a transaction between the individual and the environment the

downloadable free pdfs chapter 1 the concept of stress - Mar 21 2022

web 1 chapter 1 the concept of stress adaptation when people should go to the book stores search opening by shop shelf by shelf it is truly problematic this is why we give

chapter 1 the concept of stress adaptation robert vink 2023 - Nov 16 2021

web terdapat dua macam adaptasi fisiologis yaitu las local adaption syndrome dan gas general adaptation syndrome proses adaptasi fisiologi tahap alarm reaction

[makalah konsep stres dan adaptasi 123dok.com](#) - Dec 18 2021

web bab i pendahuluan 1 1 latar belakang kata stres telah sering kita dengar dalam kehidupan sehari hari stress merupakan salah satu gejala psikologis yang dapat

[ch 1 3 notes chapter 1 the concept of stress](#) - Nov 28 2022

web chapter 1 the concept of stress adaptation adaptation click the card to flip defined as restoration of homeostasis to the internal environmental system includes responses

chapter 1 the concept of stress adaptation flashcards - Aug 06 2023

hans selye defined stress as the state manifested by a specific syndrome that consists of all the nonspecifically induced changes within a biologic system fight or flight see more