

KUBOTA HORIZONTAL WATER COOLED DIESEL ENGINES



SPECIFICATIONS

	RT100DI	RT125DI	RT125DI-ES	RT140DI-ES
Number of Cylinders	1	1	1	1
Max Power	10kW	12.5kW	14kW	15kW
Displacement	547cc	666cc	709cc	709cc
Max Torque	40 Nm (29.5 lbf-ft)	50 Nm (36.8 lbf-ft)	55 Nm (40.3 lbf-ft)	60 Nm (44.2 lbf-ft)
Rated Power Output	7.5 kW (10.25 HP)	9.0 kW (12.25 HP)	10.0 kW (13.5 HP)	11.0 kW (14.75 HP)
Rated Torque Output	30 Nm (22.07 lbf-ft)	37 Nm (27.15 lbf-ft)	40 Nm (29.5 lbf-ft)	43 Nm (31.5 lbf-ft)
Rated Fuel Consumption (at maximum rated output)	1.8 L/h	2.2 L/h	2.3 L/h	2.4 L/h
Compression Ratio	16.5:1	16.5:1	16.5:1	16.5:1
Max Speed	3000 rpm	3000 rpm	3000 rpm	3000 rpm
Max Torque	2000 rpm	2000 rpm	2000 rpm	2000 rpm
Starting Motor Capacity	1.5	1.5	1.5	1.5
Max Fuel Capacity	15	15	15	15
Dimensions (H x W x D)	310 x 380 x 380	310 x 380 x 380	310 x 380 x 380	310 x 380 x 380
Oil	Light Diesel Oil (SAE 30)			
Oil Capacity (L)	3.0			
Ignition System	Electronic Ignition			
Starting System	Electric			
Control System	Mechanical Governor with Throttle Link			
Oil Service Type	Wet Sump	Wet Sump	Wet Sump	Wet Sump
Starting System	Manual	Manual / Electric	Manual	Manual
Weight (kg)	110	125	130	140
Weight (lb)	242	275	286	308

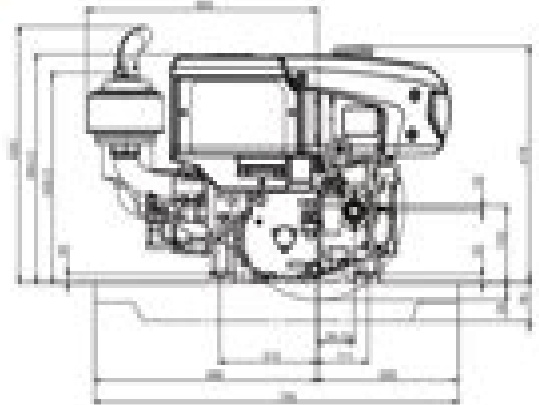
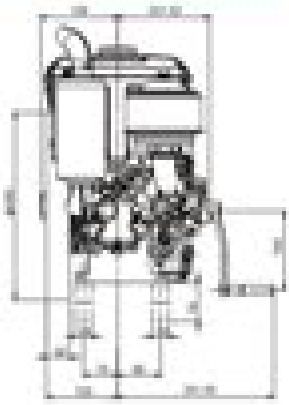
KUBOTA HORIZONTAL WATER-COOLED DIESEL ENGINES



RT100DI / RT125DI / RT125DI-ES / RT140 DI-ES

Displacement: 547cc / 666cc / 709cc

Maximum Output: 10HP / 12.5HP / 14HP



Kubota Engine Three Cylinder Manual

O García



Kubota Engine Three Cylinder Manual:

Agricultural Reviews and Manuals ,1981 *Power Farming in Australia and New Zealand Technical Manual* ,1989
Garden Tractors Oscar H. Will,2009-02-15 An illustrated history of the garden tractors that make small farms and vast gardens grow the Cub Cadets John Deeres Simplicitys Fords Ariens Wheel Horses Kabotas etc *Diesel Car Digest* ,1976
Diesel & Gas Turbine Worldwide Catalog ,1983 **The Journal of the Department of Agriculture, Victoria**
Victoria. Department of Agriculture,1969 [The Journal of the Department of Victoria](#) Victoria. Department of
Agriculture,1969 [Progressive Farmer](#) ,2003 **The Journal of the Department of Victoria** Victoria. Dept. of
Agriculture,1969 [The Journal of Agriculture](#) ,1969 *The Australian & New Zealand Grapegrower & Winemaker* ,2002
Golf Course Management ,2004 *California Farmer* ,1999 **Diesel Progress Engines & Drives** ,1989
Implement & Tractor Red Book ,1988 **Mechanix Illustrated** ,1982 **Recent Advances in Mechanical
Engineering** Balaguru Sethuraman,Pushpdant Jain,Manoj Gupta,2023-07-24 This book consists of select proceedings of the
1st International Conference on Sustainable Technologies and Advances in Automation Aerospace and Robotics STAAAR
2022 This book focuses on advancements in the fields of robotics and automation applications of AI aerodynamics
computational fluid dynamics material characterization renewable energy computer aided engineering design rapid
prototyping aerospace engineering and dynamics and vibrations The major topics in the book include Industry 4 0
applications of additive manufacturing in biomedical automotive and aviation industries implants and prosthesis applications
in human body applications of latest technologies such as machine learning IoT static and dynamic balancing force
transmissibility advanced mechanisms etc This book provides vital information to researchers academicians and industrialists
to enhance their knowledge in the field of recent advancements in the field of mechanical engineering **Horticulture
Now** ,1987 **Popular Mechanics** ,2005-10 Popular Mechanics inspires instructs and influences readers to help them
master the modern world Whether it s practical DIY home improvement tips gadgets and digital technology information on
the newest cars or the latest breakthroughs in science PM is the ultimate guide to our high tech lifestyle *Weekly Times
Technical Annual* ,1988

Yeah, reviewing a ebook **Kubota Engine Three Cylinder Manual** could be credited with your near associates listings. This is just one of the solutions for you to be successful. As understood, feat does not recommend that you have astounding points.

Comprehending as skillfully as contract even more than supplementary will find the money for each success. next-door to, the publication as skillfully as insight of this Kubota Engine Three Cylinder Manual can be taken as capably as picked to act.

http://www.armchairempire.com/data/detail/index.jsp/Lesson_111_Practice_A_Lines_That_Intersect_Circles_Answers.pdf

Table of Contents Kubota Engine Three Cylinder Manual

1. Understanding the eBook Kubota Engine Three Cylinder Manual
 - The Rise of Digital Reading Kubota Engine Three Cylinder Manual
 - Advantages of eBooks Over Traditional Books
2. Identifying Kubota Engine Three Cylinder Manual
 - Exploring Different Genres
 - Considering Fiction vs. Non-Fiction
 - Determining Your Reading Goals
3. Choosing the Right eBook Platform
 - Popular eBook Platforms
 - Features to Look for in an Kubota Engine Three Cylinder Manual
 - User-Friendly Interface
4. Exploring eBook Recommendations from Kubota Engine Three Cylinder Manual
 - Personalized Recommendations
 - Kubota Engine Three Cylinder Manual User Reviews and Ratings
 - Kubota Engine Three Cylinder Manual and Bestseller Lists
5. Accessing Kubota Engine Three Cylinder Manual Free and Paid eBooks
 - Kubota Engine Three Cylinder Manual Public Domain eBooks
 - Kubota Engine Three Cylinder Manual eBook Subscription Services

- Kubota Engine Three Cylinder Manual Budget-Friendly Options
- 6. Navigating Kubota Engine Three Cylinder Manual eBook Formats
 - ePub, PDF, MOBI, and More
 - Kubota Engine Three Cylinder Manual Compatibility with Devices
 - Kubota Engine Three Cylinder Manual Enhanced eBook Features
- 7. Enhancing Your Reading Experience
 - Adjustable Fonts and Text Sizes of Kubota Engine Three Cylinder Manual
 - Highlighting and Note-Taking Kubota Engine Three Cylinder Manual
 - Interactive Elements Kubota Engine Three Cylinder Manual
- 8. Staying Engaged with Kubota Engine Three Cylinder Manual
 - Joining Online Reading Communities
 - Participating in Virtual Book Clubs
 - Following Authors and Publishers Kubota Engine Three Cylinder Manual
- 9. Balancing eBooks and Physical Books Kubota Engine Three Cylinder Manual
 - Benefits of a Digital Library
 - Creating a Diverse Reading Collection Kubota Engine Three Cylinder Manual
- 10. Overcoming Reading Challenges
 - Dealing with Digital Eye Strain
 - Minimizing Distractions
 - Managing Screen Time
- 11. Cultivating a Reading Routine Kubota Engine Three Cylinder Manual
 - Setting Reading Goals Kubota Engine Three Cylinder Manual
 - Carving Out Dedicated Reading Time
- 12. Sourcing Reliable Information of Kubota Engine Three Cylinder Manual
 - Fact-Checking eBook Content of Kubota Engine Three Cylinder Manual
 - Distinguishing Credible Sources
- 13. Promoting Lifelong Learning
 - Utilizing eBooks for Skill Development
 - Exploring Educational eBooks
- 14. Embracing eBook Trends

- Integration of Multimedia Elements
- Interactive and Gamified eBooks

Kubota Engine Three Cylinder Manual Introduction

Kubota Engine Three Cylinder Manual Offers over 60,000 free eBooks, including many classics that are in the public domain. Open Library: Provides access to over 1 million free eBooks, including classic literature and contemporary works. Kubota Engine Three Cylinder Manual Offers a vast collection of books, some of which are available for free as PDF downloads, particularly older books in the public domain. Kubota Engine Three Cylinder Manual : This website hosts a vast collection of scientific articles, books, and textbooks. While it operates in a legal gray area due to copyright issues, its a popular resource for finding various publications. Internet Archive for Kubota Engine Three Cylinder Manual : Has an extensive collection of digital content, including books, articles, videos, and more. It has a massive library of free downloadable books. Free-eBooks Kubota Engine Three Cylinder Manual Offers a diverse range of free eBooks across various genres. Kubota Engine Three Cylinder Manual Focuses mainly on educational books, textbooks, and business books. It offers free PDF downloads for educational purposes. Kubota Engine Three Cylinder Manual Provides a large selection of free eBooks in different genres, which are available for download in various formats, including PDF. Finding specific Kubota Engine Three Cylinder Manual, especially related to Kubota Engine Three Cylinder Manual, might be challenging as theyre often artistic creations rather than practical blueprints. However, you can explore the following steps to search for or create your own Online Searches: Look for websites, forums, or blogs dedicated to Kubota Engine Three Cylinder Manual, Sometimes enthusiasts share their designs or concepts in PDF format. Books and Magazines Some Kubota Engine Three Cylinder Manual books or magazines might include. Look for these in online stores or libraries. Remember that while Kubota Engine Three Cylinder Manual, sharing copyrighted material without permission is not legal. Always ensure youre either creating your own or obtaining them from legitimate sources that allow sharing and downloading. Library Check if your local library offers eBook lending services. Many libraries have digital catalogs where you can borrow Kubota Engine Three Cylinder Manual eBooks for free, including popular titles. Online Retailers: Websites like Amazon, Google Books, or Apple Books often sell eBooks. Sometimes, authors or publishers offer promotions or free periods for certain books. Authors Website Occasionally, authors provide excerpts or short stories for free on their websites. While this might not be the Kubota Engine Three Cylinder Manual full book , it can give you a taste of the authors writing style. Subscription Services Platforms like Kindle Unlimited or Scribd offer subscription-based access to a wide range of Kubota Engine Three Cylinder Manual eBooks, including some popular titles.

FAQs About Kubota Engine Three Cylinder Manual Books

How do I know which eBook platform is the best for me? Finding the best eBook platform depends on your reading preferences and device compatibility. Research different platforms, read user reviews, and explore their features before making a choice. Are free eBooks of good quality? Yes, many reputable platforms offer high-quality free eBooks, including classics and public domain works. However, make sure to verify the source to ensure the eBook credibility. Can I read eBooks without an eReader? Absolutely! Most eBook platforms offer web-based readers or mobile apps that allow you to read eBooks on your computer, tablet, or smartphone. How do I avoid digital eye strain while reading eBooks? To prevent digital eye strain, take regular breaks, adjust the font size and background color, and ensure proper lighting while reading eBooks. What the advantage of interactive eBooks? Interactive eBooks incorporate multimedia elements, quizzes, and activities, enhancing the reader engagement and providing a more immersive learning experience. Kubota Engine Three Cylinder Manual is one of the best book in our library for free trial. We provide copy of Kubota Engine Three Cylinder Manual in digital format, so the resources that you find are reliable. There are also many Ebooks of related with Kubota Engine Three Cylinder Manual. Where to download Kubota Engine Three Cylinder Manual online for free? Are you looking for Kubota Engine Three Cylinder Manual PDF? This is definitely going to save you time and cash in something you should think about.

Find Kubota Engine Three Cylinder Manual :

lesson 11.1 practice a lines that intersect circles answers

lesco hydro 48 walk owners manual

[letter from birmingham jail metaphorical language](#)

[les petites marchandes de plaisir rcit](#)

[let me be a woman](#)

leisure pool usa eclipse price

let the children come

leslie nielsen interview

letter from mentor to mentee

lennox thermostat manual wire colors

les mills body step manual

let the games begin ii a womans game cant be matched

lets go budget barcelona the student travel guide lets go budget barcelona

les miserables trumpet i dreamed a dream

~~lesereise s dliches afrika serengeti elefantenstrand~~

Kubota Engine Three Cylinder Manual :

mitsubishi owner s manuals mitsubishi motors uk - Feb 16 2022

web owner s manuals are free to download and provide everything you need about your car s operation download a pdf of your owner s manual and operation documents using the model lists below

[mitsubishi rvr asx owner s manual manual directory](#) - Oct 27 2022

web you can find 13 different owner s manuals for the mitsubishi rvr asx on this page that are in the pdf format looking for mechanical information an owner s manual is usually packed with guides on how to operate the car safely and how to maintain it

[mitsubishi asx ga 2010 2019 haynes manuals](#) - May 02 2023

web mitsubishi asx ga 2010 2019 haynes repair manuals guides need to service or repair your mitsubishi asx ga 2010 2019 online and print formats available save time and money when you follow the advice of haynes master mechanics skip to main content go to front page

mitsubishi asx free workshop and repair manuals - Aug 05 2023

web mitsubishi asx workshop repair and owners manuals for all years and models free pdf download for thousands of cars and trucks

[mitsubishi asx service repair manuals on motor era](#) - Dec 29 2022

web motor era offers service repair manuals for your mitsubishi asx download your manual now mitsubishi asx service repair manuals complete list of mitsubishi asx auto service repair manuals

[user manual mitsubishi asx 2019 english 490 pages](#) - Apr 20 2022

web view the manual for the mitsubishi asx 2019 here for free this manual comes under the category cars and has been rated by 8 people with an average of a 8 8 this manual is available in the following languages english

[mitsubishi asx owner s and service manuals online download](#) - Apr 01 2023

web manufacturers mitsubishi asx mitsubishi asx owner s and service manuals online download pdf mitsubishi asx owner s manuals and service manuals for online browsing and download search through 1133 mitsubishi manuals online for free carmanualsonline info is the largest free online database of mitsubishi user manuals

[user manual mitsubishi asx 2018 english 514 pages](#) - Mar 20 2022

web view the manual for the mitsubishi asx 2018 here for free this manual comes under the category cars and has been rated

by 7 people with an average of a 8 2 this manual is available in the following languages english

[mitsubishi asx manual pdf download manualslib](#) - Jun 03 2023

web view and download mitsubishi asx manual online asx automobile pdf manual download

user manual mitsubishi asx 2017 english 418 pages - May 22 2022

web manual view the manual for the mitsubishi asx 2017 here for free this manual comes under the category cars and has been rated by 15 people with an average of a 8 2 this manual is available in the following languages english do you have a question about the mitsubishi asx 2017 or do you need help ask your question here need help

[mitsubishi asx rvr manuals mitsubishi](#) - Jul 04 2023

web asx eur 2015 service manual part2 rar sw part 2 2 repair manuals 409 mb english asx rvr 2015 asx eur 2015 service manual part1 rar sw part 1 2 repair manuals 450 mb english asx rvr 2012 mitsubishi asx cz pdf scan user s manuals 36 2 mb czech

[mitsubishi rvr asx service manual pdf servicingmanuals](#) - Nov 27 2022

web find mitsubishi rvr asx service manuals in pdf format for the years 2100 through to 1900 for free view them online print them or download the original to keep on your computer

mitsubishi workshop repair owners manuals 100 free - Jan 30 2023

web how to find your mitsubishi workshop or owners manual we have 1200 free pdf s spread across 34 mitsubishi vehicles to narrow down your search please use the dropdown box above or select from one of the available vehicles in the list below

mitsubishi asx service repair manuals free download - Oct 07 2023

web mitsubishi asx pdf workshop and repair manuals wiring diagrams spare parts catalogue fault codes free download see also mitsubishi 3000gt pdf workshop and repair manuals mitsubishi engines and transmissions pdf manuals mitsubishi pdf owners manuals

[mitsubishi motors asx series owner s manual pdf](#) - Sep 25 2022

web view and download mitsubishi motors asx series owner s manual online asx series automobile pdf manual download

[mitsubishi asx 2019 owner s manual pdf download manualslib](#) - Jun 22 2022

web view and download mitsubishi asx 2019 owner s manual online asx 2019 automobile pdf manual download

[mitsubishi asx rvr ga service manual owners manual youtube](#) - Jul 24 2022

web mar 7 2020 english service manual owners manual and wiring diagrams to vehicles mitsubishi asx rvr ga servicemanuals info

mitsubishi asx repair manual 2010 2018 youtube - Aug 25 2022

web aug 6 2019 mitsubishi asx repair manual 2010 2018 download here bit ly 2klbwgg mitsubishi asx repair manual 2010

2018 workshop service repair manual used by mitsubishi dealerships home

mitsubishi asx repair service manuals 63 pdf s - Sep 06 2023

web mitsubishi asx owners manual covering weekly checks mitsubishi asx workshop manual covering lubricants fluids and tyre pressures mitsubishi asx service pdf s covering routine maintenance and servicing detailed mitsubishi asx engine and associated service systems for repairs and overhaul pdf mitsubishi asx

2015 mitsubishi asx owner s and service manuals online - Feb 28 2023

web mitsubishi asx 2015 owner s manuals and service manuals for online browsing and download view mitsubishi asx manuals online for free carmanualsonline info is the largest free online database of mitsubishi owner s

baby shark official youtube - Dec 27 2021

web meet exclusive baby shark videos that captured the hearts of millions of children around the world subscribe to our channel for hundreds of kids favorite videos including nursery rhymes

baby baby - Jun 13 2023

web yeni babybjörn bliss ana kucağı cotton dark purple 6 449 00 tl babybjörn balance soft ana kucağı light sage grey 6 449 00 tl babybjörn ana kucağı oyuncuğı

baby baby bebek mağazaları - Jun 01 2022

web iban numarası tr11 0006 4000 0017 3070 1001 51 hesap sahibi baby baby bebek mağazaları İç ve dış tic ltd Şti hesap türü Şirket iban numarası tr23 0006 2001 0600 0006 2965 15 hesap sahibi baby baby bebek mağazaları İç ve dış tic ltd Şti hesap türü Şirket

baby wikipeđi - Oct 05 2022

web baby netflix için yaratılmış bir İtalyan gençlik dram dizisidir İlk sezon 30 kasım 2018 de yayınlanmıştır dizi roma daki elit bir lisedeki öğrencilerin hayatlarını anlatmaktadır ana karakterler chiara ve ludovica hayatlarına renk katmak ister ve kendilerine ailelerinden ve arkadaşlarından saklı yeraltı dünyasında

bebek arabası fiyatları hepsiburada com - Dec 07 2022

web kraft q77 tek elle kolay katlanır kabin boy pratik bebek arabası 88 4 999 00 tl toplam 24 621 ürün en Çok aranan kelimeler baston bebek arabası oyuncaklar

bebeğim için her şey anne bebek Ürünleri mağazası babymall - Jul 14 2023

web wee baby dijital ateş Ölçer 44 90 tl 36 69 95 tl sepete ekle tommee tippee naturel pp biberon mavi 260 ml mavi 199 90 tl 38 319 90 tl sepete ekle space jam eşofman takımı leylak 279 90 tl 50 559 99 tl farklı seçenekleri var Ürüne git baby care multiflex mama sandalyesi siyah

wee baby akıllı tercihler mutlu bebekler - Feb 09 2023

web wee baby olarak anne ile bebek arasındaki eşsiz bağın daha da güçlenmesi için uluslararası kalite standartlarındaki ürünlerimizle çözümler sunuyor annelerin gönülleri hep rahat olsun diye ürünlerimizin üretiminde gıdaya temas edebilen bpa içermeyen fda onaylı ham maddeler kullanıyoruz

baby monster vikipedi - Jan 28 2022

web baby monster hangul ㅁㅁㅁㅁㅁ yada diğer adıyla baemon yg entertainment tarafından oluşturulan güney koreli kız grubudur yedi üyeden oluşan grubun 2023 te çıkış yapmıştır

sienna miller reveals her bare baby bump in schiaparelli on the - Feb 26 2022

web 2 days ago for vogue world 2023 sienna miller opted to dress her baby bump in schiaparelli take a closer look at sienna miller s vogue world london 2023 look here

cutest baby family moments funny and cute baby video - Sep 04 2022

web mar 2 2019 did you enjoy the video please subscribe for more check out more fun videos or some of our sister channels ㅁㅁㅁㅁ ㅁㅁㅁㅁ ㅁㅁㅁㅁ ㅁㅁㅁㅁㅁ bab

aya nakamura baby clip officiel youtube - Jul 02 2022

web jan 12 2023 aya nakamura baby clip officiel nouveau single baby disponible maintenant ayanakamura lnk to babyay extrait du nouvel album dnk disponible ici ayanakamura lnk

[baby netflix resmi sitesi](#) - Jan 08 2023

web baby 2018 yetişkinlik düzeyi 18 3 sezon dramas roma nın varlıklı kesimlerinden iki genç kız ailelerinden ve okul arkadaşlarından sıkılarak şehrin yeraltı dünyasına kapılır ve çifte hayat yaşamaya başlar başroldekiler benedetta porcaroli alice pagani riccardo mandolini binlerce seçenek sınırsız eğlence

[baby definition meaning merriam webster](#) - Nov 06 2022

web the meaning of baby is an extremely young child especially infant sometimes used of an adult daughter or son to express parental nostalgia or affection how to use baby in a sentence synonym discussion of baby

justin bieber baby ft ludacris youtube - Aug 15 2023

web feb 19 2010 remastered in hd up to 4k official music video for baby performed by justin bieber ft ludacris follow justin instagram instagram com justinb

baby babycenter - Apr 11 2023

web we can help you solve breastfeeding and baby sleep problems start solid foods handle crying know what your baby s ready for track your baby s development find great childcare and baby activities and more

justin bieber baby lyrics genius lyrics - Mar 30 2022

web jan 18 2010 chorus justin bieber baby baby baby oh like baby baby baby no like baby baby baby oh thought you d

always be mine mine baby baby baby oh like baby baby baby no like baby baby

[madison beer baby official music video youtube](#) - Apr 30 2022

web aug 21 2020 madison beer 3 04m subscribers subscribe 643k 33m views 3 years ago madisonbeer baby baby available at madisonbeer lnk to baby official audio hi4siyrt more more

[bebek oyuncakları oyuncak bebek fiyatları 40 İndirim](#) - Mar 10 2023

web baby alive glopixies minik peri bebek aqua flutter 188 280 00 tl sepette 10 indirim barbie ken İle kamp aksesuarları ekose gömlek kot pantolon ve beyaz spor ayakkabılar giyer 3 yaş ve Üzeri hhr66 209 408 00 tl barbie sonsuz hareket bebeği kumral siyah taytlı dji08 1 016

[watch baby netflix official site](#) - Aug 03 2022

web 2018 maturity rating tv ma 3 seasons dramas fed up with their families and classmates two teen girls from a wealthy part of rome are drawn to the city s underworld and start leading double lives starring benedetta porcaroli alice

az baby - May 12 2023

web baby sleep bebek bezi 42 6 xxl 13 20kg yeni 5 üzerinden 0 oy ald

d gugerli wie die welt in den computer kam h soz kult - Sep 05 2022

web david gugerli beschreitet mit seinem wie die welt in den computer kam einen weg abseits des mainstreams d gugerli wie die welt in den computer kam h soz kult kommunikation und fachinformation für die geschichtswissenschaften geschichte im netz history in the web

[gugerli david wie die welt in den computer kam zur entstehung](#) - Aug 16 2023

web may 21 2019 der schweizer technikhistoriker david gugerli erzählt in seinem buch wie die welt in den computer kam eine geschichte der vielfältigen ideen und probleme der entwickler von computertechnologien seine technikgeschichte des computers umfasst den zeitraum von der mitte bis zum ende des 20

how the world came to be in the computer eth zurich eth - Feb 10 2023

web aug 16 2018 the book s title wie die welt in den computer kam roughly translatable as how the world came to be in the computer suggests where gugerli s interests lie the decisions and adaptations in the real world that are required to make the latter a

[wie die welt in den computer kam zur entstehung d 2023](#) - Jun 14 2023

web wie die welt in den computer kam zur entstehung d wie die welt in den computer kam zur entstehung d 2 downloaded from ead3 archivists org on 2022 12 02 by guest rights and technological change in a historical perspective showing how the spread of modern technologies both challenged and served human rights policies the volume

der erste computer der welt geo - May 01 2022

web der erste computer der welt vor 100 jahren entdeckten taucher im mittellmeer ein schiffswrack an bord fanden sie nicht nur schätze sondern auch einen rätselhaften komplizierten mechanismus high tech aus der antike elias stadiatis traute seinen augen nicht am grund in 40 meter tiefe sah er die umrisse eines schiffswracks

david gugerli wie die welt in den computer kam unsere welt - Oct 06 2022

web jul 19 2018 gugerli interessiert was war das ziel die idee die vorstellung die logik hinter entscheidenden schritten der entwicklung des computers des digitalen wie hat das die welt des

seit wann gibt es computer alles zur geschichte chip - Feb 27 2022

web ende der 1970er jahre gab es eine vielzahl an technischen geräten und herstellern ibm war damals der dominierende anbieter auf dem markt 1980 brachten sie den ersten richtigen computer auf den markt dieser prägt auch noch heute fast alle computer 1982 brachten ibm word netware und weitere applikationen auf den markt

wie die welt in den computer kam zur entstehung digitaler - May 13 2023

web wie die welt in den computer kam zur entstehung digitaler wirklichkeit gugerli david isbn 9783103972269 kostenloser versand für alle bücher mit versand und verkauf duch amazon wie die welt in den computer kam zur entstehung digitaler wirklichkeit gugerli david amazon de bücher

wie die welt in den computer kam eth z - Nov 07 2022

web kampf der komplexitat vieles was man aus herkömmlichen darstellungen der computergeschichte kennt findet sich auch bei gugerli auch sein buch beginnt bei den anfängen der kommerziellen informatik bei den grossrechnern der 1950er jahre

wie die welt in den computer kam zur entstehung d book - Mar 11 2023

web die studie erffnet einen neuen blick auf den entstehungsprozess kommunaler schriftkultur in einer europäischen grostadt des spmttelalters die auswertung der umfangreichen berlieferung im stadtarchiv augsburg zeigt wie stdtische autoritten zunehmend auf schriftlichkeit angewiesen waren und dabei eigene bedrfnisse der archivierung ausprgten

pdf wie die welt in den computer kam zur entstehung d - Aug 04 2022

web wie die welt in den computer kam zur entstehung d wie die welt in den computer kam aug 28 2023 digitalization in industry mar 23 2023 this book traces how the current wave of industrial digitalization relates to processes of domination and emancipation it aims to counter techno

wie die welt in den computer kam zur entstehung digitaler - Jan 09 2023

web corpus id 194123673 wie die welt in den computer kam zur entstehung digitaler wirklichkeit inproceedings

gugerli2018wiedw title wie die welt in den computer kam zur entstehung digitaler wirklichkeit author david gugerli year 2018

wie die welt in den computer kam eth zürich - Jul 15 2023

web aug 16 2018 die geschichte beginnt bei den grossrechnern der 1950er jahre als remington rand den univac präsentierte eigentlich beginnt sie aber bei der frage was ein computer überhaupt ist darüber was zu den wesentlichen eigenscharten eines computers zählte waren sich nicht einmal jene einig die bereits einen gebaut hatten

[eth zürich technikgeschichte wie die welt in den computer kam](#) - Sep 17 2023

web may 23 2018 der weg in die digitale kultur damit die welt mit computern verwaltet und organisiert werden kann muss sie in den digitalen raum der maschinen überführt werden der historiker david gugerli erzählt die geschichte dieses großen umzugs anhand von prägnanten beispielen

[wie die welt in den computer kam zur entstehung digitaler](#) - Oct 18 2023

web wie die welt in den computer kam zur entstehung digitaler wirklichkeit how the world came to be in the computer on the creation of digital reality by david gugerli review martin schmitt technology and culture volume 62 number 2 april 2021 pp 657 658 review published by johns hopkins university press doi

wie die welt in den computer kam zur entstehung digitaler - Jun 02 2022

web browse the wie die welt in den computer kam zur entstehung digitaler wirklichkeit by david gugerli join that we have the funding for here and check out the link it will tremendously effortlessness you to see tutorial wie die welt in den computer kam zur entstehung digitaler wirklichkeit by david gugerli as you such as

wie die welt in den computer kam zwg - Jul 03 2022

web 2018 veröffentlichte der technikhistoriker david gugerli seine studie wie die welt in den computer kam zur entstehung digitaler wirklichkeit wie der titel schon andeutet handelt es sich dabei aber nicht um eine geschichte technischer entwicklungsschritte sondern um eine geschichte von erwartungen und zuschreibungen

david gugerli wie die welt in den computer kam zur entstehung - Apr 12 2023

web auch wenn der kritiker von den anfängen der informatik bis zur erfindung des internets viel bereits an anderer stelle gelesen hat lobt er das vorgehen des technikhistorikers computergeschichte von den motiven der entwickler und den intentionen der anwender her

pdf wie die welt in den computer kam zur entstehung d - Mar 31 2022

web wie die welt in den computer kam zur entstehung d handbücher zur sprach und kommunikationswissenschaft sep 14 2020 monographie der meningitis spinalis etc apr 21 2021 digitalization in industry apr 14 2023 this book traces how the current wave of industrial digitalization relates to processes of domination and

[wie die welt in den computer kam s fischer verlage](#) - Dec 08 2022

web apr 24 2018 der weg in die digitale kultur damit die welt mit computern verwaltet und organisiert werden kann muss sie in den digitalen raum der maschinen überführt werden der historiker david gugerli erzählt die geschichte dieses großen

umzugs anhand von prägnanten beispielen