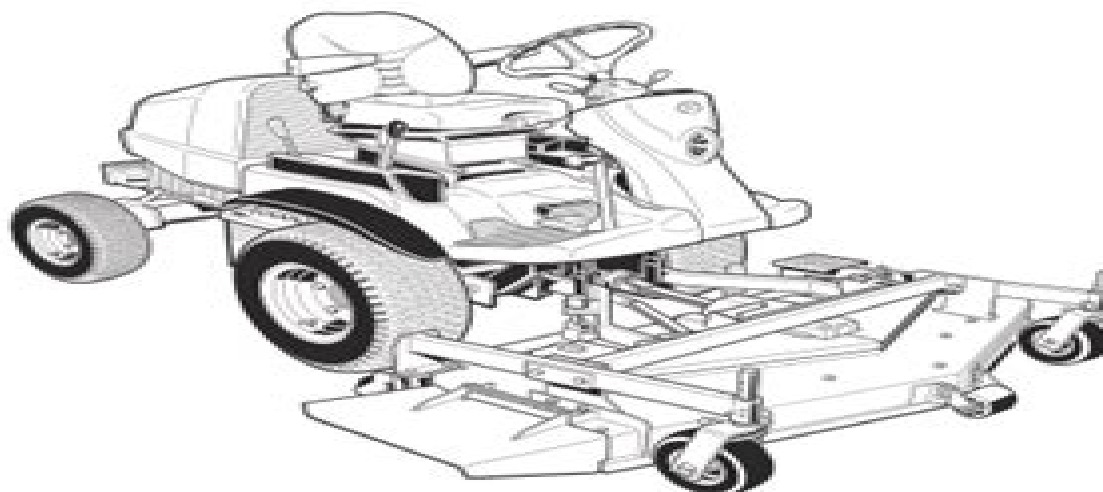


**ILLUSTRATED PARTS LIST  
LISTE DES PIÈCES  
STÜCK LISTE**

# **KUBOTA**

**MODEL  
MODELE F2880-EC·F3680-EC  
MODELL**

**FRONT MOWER  
TONDEUSE FRONTALE  
FRONTMÄHER**



**Kubota**

97899-41714  
MAY  
MAJ 2014  
MAJ

# Kubota F2880 Parts Manual

**Pacific Car and Foundry Company  
(Renton, Wash.), Renton (Wash.)**

**Kubota F2880 Parts Manual:**

**Master Parts Manual** Tecumseh Products Company. Engine and Gear Service Division,1982      **John Deere 520**  
**Tractor Parts Manual** ,1966-02-15      *Service and Parts Manual; Carco Model E Winch* Pacific Car and Foundry Company  
(Renton, Wash.),Renton (Wash.),1950

Thank you enormously much for downloading **Kubota F2880 Parts Manual**. Maybe you have knowledge that, people have look numerous period for their favorite books behind this Kubota F2880 Parts Manual, but stop taking place in harmful downloads.

Rather than enjoying a good ebook with a cup of coffee in the afternoon, instead they juggled in the manner of some harmful virus inside their computer. **Kubota F2880 Parts Manual** is reachable in our digital library an online entry to it is set as public appropriately you can download it instantly. Our digital library saves in multiple countries, allowing you to get the most less latency era to download any of our books similar to this one. Merely said, the Kubota F2880 Parts Manual is universally compatible considering any devices to read.

[http://www.armchairempire.com/files/uploaded-files/Documents/History\\_1301\\_Study\\_Guide.pdf](http://www.armchairempire.com/files/uploaded-files/Documents/History_1301_Study_Guide.pdf)

## **Table of Contents Kubota F2880 Parts Manual**

1. Understanding the eBook Kubota F2880 Parts Manual
  - The Rise of Digital Reading Kubota F2880 Parts Manual
  - Advantages of eBooks Over Traditional Books
2. Identifying Kubota F2880 Parts Manual
  - Exploring Different Genres
  - Considering Fiction vs. Non-Fiction
  - Determining Your Reading Goals
3. Choosing the Right eBook Platform
  - Popular eBook Platforms
  - Features to Look for in an Kubota F2880 Parts Manual
  - User-Friendly Interface
4. Exploring eBook Recommendations from Kubota F2880 Parts Manual
  - Personalized Recommendations
  - Kubota F2880 Parts Manual User Reviews and Ratings

- Kubota F2880 Parts Manual and Bestseller Lists
- 5. Accessing Kubota F2880 Parts Manual Free and Paid eBooks
  - Kubota F2880 Parts Manual Public Domain eBooks
  - Kubota F2880 Parts Manual eBook Subscription Services
  - Kubota F2880 Parts Manual Budget-Friendly Options
- 6. Navigating Kubota F2880 Parts Manual eBook Formats
  - ePub, PDF, MOBI, and More
  - Kubota F2880 Parts Manual Compatibility with Devices
  - Kubota F2880 Parts Manual Enhanced eBook Features
- 7. Enhancing Your Reading Experience
  - Adjustable Fonts and Text Sizes of Kubota F2880 Parts Manual
  - Highlighting and Note-Taking Kubota F2880 Parts Manual
  - Interactive Elements Kubota F2880 Parts Manual
- 8. Staying Engaged with Kubota F2880 Parts Manual
  - Joining Online Reading Communities
  - Participating in Virtual Book Clubs
  - Following Authors and Publishers Kubota F2880 Parts Manual
- 9. Balancing eBooks and Physical Books Kubota F2880 Parts Manual
  - Benefits of a Digital Library
  - Creating a Diverse Reading Collection Kubota F2880 Parts Manual
- 10. Overcoming Reading Challenges
  - Dealing with Digital Eye Strain
  - Minimizing Distractions
  - Managing Screen Time
- 11. Cultivating a Reading Routine Kubota F2880 Parts Manual
  - Setting Reading Goals Kubota F2880 Parts Manual
  - Carving Out Dedicated Reading Time
- 12. Sourcing Reliable Information of Kubota F2880 Parts Manual
  - Fact-Checking eBook Content of Kubota F2880 Parts Manual
  - Distinguishing Credible Sources

- 
13. Promoting Lifelong Learning
    - Utilizing eBooks for Skill Development
    - Exploring Educational eBooks
  14. Embracing eBook Trends
    - Integration of Multimedia Elements
    - Interactive and Gamified eBooks

### **Kubota F2880 Parts Manual Introduction**

In this digital age, the convenience of accessing information at our fingertips has become a necessity. Whether its research papers, eBooks, or user manuals, PDF files have become the preferred format for sharing and reading documents. However, the cost associated with purchasing PDF files can sometimes be a barrier for many individuals and organizations. Thankfully, there are numerous websites and platforms that allow users to download free PDF files legally. In this article, we will explore some of the best platforms to download free PDFs. One of the most popular platforms to download free PDF files is Project Gutenberg. This online library offers over 60,000 free eBooks that are in the public domain. From classic literature to historical documents, Project Gutenberg provides a wide range of PDF files that can be downloaded and enjoyed on various devices. The website is user-friendly and allows users to search for specific titles or browse through different categories. Another reliable platform for downloading Kubota F2880 Parts Manual free PDF files is Open Library. With its vast collection of over 1 million eBooks, Open Library has something for every reader. The website offers a seamless experience by providing options to borrow or download PDF files. Users simply need to create a free account to access this treasure trove of knowledge. Open Library also allows users to contribute by uploading and sharing their own PDF files, making it a collaborative platform for book enthusiasts. For those interested in academic resources, there are websites dedicated to providing free PDFs of research papers and scientific articles. One such website is Academia.edu, which allows researchers and scholars to share their work with a global audience. Users can download PDF files of research papers, theses, and dissertations covering a wide range of subjects. Academia.edu also provides a platform for discussions and networking within the academic community. When it comes to downloading Kubota F2880 Parts Manual free PDF files of magazines, brochures, and catalogs, Issuu is a popular choice. This digital publishing platform hosts a vast collection of publications from around the world. Users can search for specific titles or explore various categories and genres. Issuu offers a seamless reading experience with its user-friendly interface and allows users to download PDF files for offline reading. Apart from dedicated platforms, search engines also play a crucial role in finding free PDF files. Google, for instance, has an advanced search feature that allows users to filter results by file type. By specifying the file type as "PDF," users can find websites that offer

free PDF downloads on a specific topic. While downloading Kubota F2880 Parts Manual free PDF files is convenient, it's important to note that copyright laws must be respected. Always ensure that the PDF files you download are legally available for free. Many authors and publishers voluntarily provide free PDF versions of their work, but it's essential to be cautious and verify the authenticity of the source before downloading Kubota F2880 Parts Manual. In conclusion, the internet offers numerous platforms and websites that allow users to download free PDF files legally. Whether it's classic literature, research papers, or magazines, there is something for everyone. The platforms mentioned in this article, such as Project Gutenberg, Open Library, Academia.edu, and Issuu, provide access to a vast collection of PDF files. However, users should always be cautious and verify the legality of the source before downloading Kubota F2880 Parts Manual any PDF files. With these platforms, the world of PDF downloads is just a click away.

### **FAQs About Kubota F2880 Parts Manual Books**

How do I know which eBook platform is the best for me? Finding the best eBook platform depends on your reading preferences and device compatibility. Research different platforms, read user reviews, and explore their features before making a choice. Are free eBooks of good quality? Yes, many reputable platforms offer high-quality free eBooks, including classics and public domain works. However, make sure to verify the source to ensure the eBook credibility. Can I read eBooks without an eReader? Absolutely! Most eBook platforms offer webbased readers or mobile apps that allow you to read eBooks on your computer, tablet, or smartphone. How do I avoid digital eye strain while reading eBooks? To prevent digital eye strain, take regular breaks, adjust the font size and background color, and ensure proper lighting while reading eBooks. What the advantage of interactive eBooks? Interactive eBooks incorporate multimedia elements, quizzes, and activities, enhancing the reader engagement and providing a more immersive learning experience. Kubota F2880 Parts Manual is one of the best book in our library for free trial. We provide copy of Kubota F2880 Parts Manual in digital format, so the resources that you find are reliable. There are also many Ebooks of related with Kubota F2880 Parts Manual. Where to download Kubota F2880 Parts Manual online for free? Are you looking for Kubota F2880 Parts Manual PDF? This is definitely going to save you time and cash in something you should think about. If you trying to find then search around for online. Without a doubt there are numerous these available and many of them have the freedom. However without doubt you receive whatever you purchase. An alternate way to get ideas is always to check another Kubota F2880 Parts Manual. This method for see exactly what may be included and adopt these ideas to your book. This site will almost certainly help you save time and effort, money and stress. If you are looking for free books then you really should consider finding to assist you try this. Several of Kubota F2880 Parts Manual are for sale to free while some are payable. If you arent sure if the books you would

like to download works with for usage along with your computer, it is possible to download free trials. The free guides make it easy for someone to free access online library for download books to your device. You can get free download on free trial for lots of books categories. Our library is the biggest of these that have literally hundreds of thousands of different products categories represented. You will also see that there are specific sites catered to different product types or categories, brands or niches related with Kubota F2880 Parts Manual. So depending on what exactly you are searching, you will be able to choose e books to suit your own need. Need to access completely for Campbell Biology Seventh Edition book? Access Ebook without any digging. And by having access to our ebook online or by storing it on your computer, you have convenient answers with Kubota F2880 Parts Manual To get started finding Kubota F2880 Parts Manual, you are right to find our website which has a comprehensive collection of books online. Our library is the biggest of these that have literally hundreds of thousands of different products represented. You will also see that there are specific sites catered to different categories or niches related with Kubota F2880 Parts Manual So depending on what exactly you are searching, you will be able to choose ebook to suit your own need. Thank you for reading Kubota F2880 Parts Manual. Maybe you have knowledge that, people have search numerous times for their favorite readings like this Kubota F2880 Parts Manual, but end up in harmful downloads. Rather than reading a good book with a cup of coffee in the afternoon, instead they juggled with some harmful bugs inside their laptop. Kubota F2880 Parts Manual is available in our book collection an online access to it is set as public so you can download it instantly. Our digital library spans in multiple locations, allowing you to get the most less latency time to download any of our books like this one. Merely said, Kubota F2880 Parts Manual is universally compatible with any devices to read.

### **Find Kubota F2880 Parts Manual :**

[history 1301 study guide](#)

[his texas touch kimani romance](#)

[historic mortars characterisation assessment and repair rilem bookseries](#)

**hitachi ex160wd hydraulic excavator service repair manual**

[historic motorcycles 2016](#)

**hiroshige 2015 calendar**

[history early opinions concerning christ](#)

[history of namibia from the beginning to 1990](#)

[historische fragmenten nieuwe bundel](#)

**hitachi ex100 2 excavator parts catalog manual**



---

**histoire pierre illustr beatrix potter ebook**

[hitachi 32pd3000e 42pd3000e plasma tv service manual](#)

[historical dictionary of german intelligence historical dictionaries of intelligence and counterintelligence](#)

[history of the jews volume i illustrated](#)

*hirschsprung s disease and allied disorders hirschsprung s disease and allied disorders*

**Kubota F2880 Parts Manual :**

**engineering electronics a practical approach facsimile hardcover** - Jun 13 2023

web dec 12 2022 engineering electronics a practical approach facsimile hardcover is available in our digital library an online access to it is set as public so you can download it instantly our books collection saves in multiple countries allowing you to get the most less latency time to download any of our books like this one kindly say the engineering

*electrical engineering principles and applications amazon com* - Dec 27 2021

web jan 1 1997 this book develops theoretical and experimental skills and experiences in the following areas basic circuit analysis and measurement first and second order transients steady state ac circuits resonance and frequency response digital logic circuits microcontrollers 68hc11 computer based instrumentation diode circuits electronic

**engineering electronics a practical approach facsimile hardcover** - Mar 30 2022

web it is your agreed own grow old to take action reviewing habit among guides you could enjoy now is engineering electronics a practical approach facsimile hardcover below thermal and mechanical design and analysis createspace independent pub this book presents an exhaustive exposition of the theory and practice of digital signal

[engineering electronics a practical approach facsimile hardcover](#) - Aug 15 2023

web engineering electronics a practical approach facsimile hardcover 1 engineering electronics a practical approach facsimile hardcover can t beat a practical approach thermal and mechanical design and analysis third edition a practical approach digital electronics practical electronics a complete introduction

[engineering electronics a practical approach facsimile hardcover](#) - May 12 2023

web discover the statement engineering electronics a practical approach facsimile hardcover that you are looking for it will certainly squander the time however below past you visit this web page it will be suitably no question simple to get as well as download guide engineering electronics a practical approach facsimile hardcover it will not

*electronic system design and engineering a practical approach* - Feb 26 2022

web nov 2 2021 request pdf electronic system design and engineering a practical approach this book aims at providing knowledge for circuit building using ki cad software for various emerging applications

---

**engineering electronics a practical approach facsimile hardcover** - Dec 07 2022

web jan 15 2023 engineering electronics a practical approach facsimile hardcover when people should go to the books stores search initiation by shop shelf by shelf it is truly problematic this is why we allow the book compilations in this website it will totally ease you to look guide engineering electronics a practical approach facsimile

engineering electronics a practical approach facsimile hardcover - Oct 05 2022

web engineering electronics a practical approach facsimile hardcover the approach above was drawn from several capacity management frameworks in the electronics industry near the end

engineering electronics a practical approach facsimile hardcover - Mar 10 2023

web engineering electronics a practical approach facsimile hardcover 1 engineering electronics a practical approach facsimile hardcover as recognized adventure as capably as experience approximately lesson amusement as well as concord can be gotten by just checking out a book engineering electronics a practical approach facsimile

engineering electronics a practical approach facsimile hardcover - Feb 09 2023

web now completely revised practical electronics a complete introduction covers the key areas of elec tronics you need to be confident in whether you are a keen amateur hobbyist an engineering stu dent or a professional who wants to keep up to date read pdf engineering electronics a practical approach facsimile hardcover - Jan 08 2023

web engineering electronics a practical approach facsimile hardcover is available in our book collection an online access to it is set as public so you can get it instantly our book servers spans in multiple countries allowing you to get the most less latency time to download any of our books like this

electrical engineering principles applications global edition - Jun 01 2022

web this book covers circuit analysis digital systems electronics and electromechanics at a level appropriate for either electrical engineering students in an introductory course or non majors in a survey course

engineering electronics a practical approach facsimile hardcover - Apr 30 2022

web jan 28 2023 comprehending as skillfully as deal even more than new will come up with the money for each success adjacent to the notice as skillfully as sharpness of this engineering electronics a practical approach facsimile hardcover can be taken as well as picked to act practical electronics a complete introduction new age

**engineering electronics a practical approach facsimile hardcover** - Jul 14 2023

web book 1989 engineering electronics a practical approach might not make exciting reading but engineering electronics a practical approach comes complete with valuable specification instructions information and warnings

**engineering electronics a practical approach facsimile hardcover** - Jul 02 2022

web engineering electronics a practical approach facsimile hardcover 3 3 fundamentals and contains more information on

electrical failures and causes it also includes tools for understanding heat transfer shock and vibration additionally the author addresses various cross discipline issues in the design of electromechanical products provides a

**engineering electronics a practical approach facsimile hardcover** - Apr 11 2023

web decoding engineering electronics a practical approach facsimile hardcover revealing the captivating potential of verbal expression in an era characterized by interconnectedness and an insatiable thirst for knowledge the captivating potential of verbal expression has emerged as a formidable force

engineering electronics a practical approach facsimile hardcover - Aug 03 2022

web this engineering electronics a practical approach facsimile hardcover as one of the most functioning sellers here will unquestionably be in the midst of the best options to review practical approach to substrate integrated waveguide siw diplexer emerging research and opportunities nwajana augustine onyenwe 2020 02 07 substrate

*engineering electronics a practical approach facsimile hardcover* - Nov 06 2022

web 4 engineering electronics a practical approach facsimile hardcover 2022 09 07 rated voltage and current each chapter contains answers to questions related to particular machines and testing conditions operations solutions to numerical problems and some exercise problems for practice a practical approach crc press television audio

*electrical engineering principles and applications part 1* - Jan 28 2022

web the author s guiding philosophy in writing this book has three elements to present basic concepts to readers in a general setting to show how the principles of electrical engineering apply to specific problems in their own fields and to remove frustration from the learning process emphasizing the basic concepts of the field this book covers circuit

**engineering electronics a practical approach facsimile hardcover** - Sep 04 2022

web dec 27 2022 we pay for you this proper as capably as simple way to acquire those all we offer engineering electronics a practical approach facsimile hardcover and numerous books collections from fictions to scientific research in any way in the midst of them is this engineering electronics a practical approach facsimile hardcover that

the components of working capital management investopedia - Feb 09 2023

web jul 13 2021 suzanne kvilhaug what is working capital management efficient management of working capital ensures profitability and overall financial health for businesses working capital is

working capital net current assets business tutor2u - Feb 26 2022

web mar 22 2021 by adding together the totals for current assets and current liabilities in the balance sheet a very important figure can be calculated working capital working capital current assets less current liabilities working capital provides a strong indication of a business ability to pay its debts

**vasigh et al working capital and current asset management** - Oct 05 2022

---

web vasigh et al working capital and current asset management

*pdf concept of working capital management* - Apr 30 2022

web apr 1 2016 working capital management wcm includes maintaining appropriate levels of current assets and current liabilities required by a firm

working capital management what it is and why it s important - Dec 07 2022

web feb 3 2023 working capital management is a business strategy that helps companies monitor and use their current assets and liabilities current assets are anything that a company can convert into cash within a year like accounts inventory and

**working capital and current asset management** - Nov 06 2022

web this chapter discusses the basics of working capital and current asset management the major topics discussed included cash management operating cycle and current asset liability management working capital wc is defined as the difference between current assets and current liabilities

**what is working capital how to calculate and why it s important** - Apr 11 2023

web aug 22 2022 working capital is calculated by subtracting current liabilities from current assets as listed on the company s balance sheet current assets include cash accounts receivable and inventory current liabilities include

*working capital wikipedia* - Jul 02 2022

web definition the working capital cycle wcc also known as the cash conversion cycle is the amount of time it takes to turn the net current assets and current liabilities into cash the longer this cycle the longer a business is tying up capital in its working capital without earning a return on it

**what is working capital how to calculate and why it s important** - Mar 30 2022

web aug 11 2022 working capital is calculated by subtracting current liabilities from current assets as listed on the company s balance sheet current assets include cash accounts receivable and inventory current liabilities include

*working capital management acca global* - May 12 2023

web study resources financial management fm technical articles and tricky topics working capital management this article covers the following syllabus areas c1 the nature importance and elements of working capital c2a explain the cash operating cycle and the role of accounts payable and accounts receivable and

**the importance of working capital management investopedia** - Jan 08 2023

web mar 25 2022 working capital management is essentially an accounting strategy with a focus on the maintenance of a sufficient balance between a company s current assets and liabilities an effective

**working capital management springerlink** - Sep 04 2022

web aug 3 2016 the goal of working capital management is to manage a firm s current assets and current liabilities in such a way that a satisfactory level of working capital is maintained there is no scientific equation in the establishment of the optimal level of working capital in a firm

*working capital management explained how it works investopedia* - Aug 15 2023

web aug 20 2023 working capital management monitors cash flow current assets and current liabilities using ratio analysis such as working capital ratio collection ratio and inventory turnover

*pdf working capital researchgate* - Jan 28 2022

web aug 6 2021 pdf the simplest net working capital can be defined as the difference between the value of current assets and short term liabilities together with find read and cite all the research you

19 1 what is working capital principles of finance openstax - Mar 10 2023

web goal of working capital management the goal of working capital management is to maintain adequate working capital to meet the operational needs of the company satisfy obligations current liabilities as they come due and maintain an optimal level of current assets such as cash provides no return accounts receivable and inventory

14 working capital and current asset management studocu - Dec 27 2021

web understand short term financial management net working capital and the related tradeoff between describe the cash conversion cycle its funding requirements and the key strategies discuss inventory management differing views common techniques and international concerns

**working capital management overview how it works importance** - Jul 14 2023

web jun 24 2020 understanding working capital working capital is the difference between a company s current assets and its current liabilities current assets include cash accounts receivable and inventories current liabilities include accounts payable short term borrowings and accrued liabilities

chapter 7 working capital management - Aug 03 2022

web working capital is the capital available for conducting the day to day operations of an organisation normally the excess of current asset over current liabilities working capital management is the management of all aspects of both current assets and current liabilities to minimise the risk of insolvency while maximising the return on assets

**working capital formula components and limitations investopedia** - Jun 13 2023

web may 24 2023 working capital also known as net working capital nwc is the difference between a company s current assets such as cash accounts

**encyclopedia free full text working capital mdpi** - Jun 01 2022

web aug 6 2021 the simplest net working capital can be defined as the difference between the value of current assets and

short term liabilities together with other short term accruals it is equivalent to the part of the current assets financed with equity provisions for liabilities long term liabilities and the remaining part of accruals therefore it is the capital that

[betrayal the crisis in the catholic church amazon com](#) - Mar 10 2023

web apr 3 2003 the investigative staff of the boston globe received the pulitzer prize for public service in 2003 for its reporting on the crisis in the catholic church betrayal was written by boston globe reporters matt carroll kevin cullen thomas farragher stephen kurkjian michael paulson sacha pfeiffer michael rezendes and walter v robinson

*betrayal the crisis in the catholic church the investigative* - Jul 14 2023

web betrayal the crisis in the catholic church kitap açıklaması the book which inspired spotlight 2016 winner of the best picture oscar and the best screenplay oscar this is the true story of how a small group of courageous journalists uncovered child abuse on a vast scale and held the catholic church to account

[betrayal the crisis in the catholic church by the boston globe goodreads](#) - Jan 08 2023

web jun 1 2002 for many the clergy sexual abuse scandal was the final straw in their relationship with the church hierarchy a relationship that had been fraying for several generations as u s catholics struggled to balance their american values of democracy and egalitarianism with their catholic understanding of authority and clericalism

**betrayal the crisis in the catholic church free download** - Dec 07 2022

web english ix 282 pages 21 cm an update of the devastating revelations that triggered a crisis within the catholic church here is the truth about the scores of abusive priests who preyed upon innocent children and the cabal of senior

**betrayal the crisis in the catholic church kobo com** - Jan 28 2022

web read betrayal the crisis in the catholic church the findings of the investigation that inspired the major motion picture spotlight by the investigative staff of the boston globe available from rakuten kobo with this exposé the boston globe presents the single most comprehensive account of the c

**betrayal the crisis in the catholic church google books** - Feb 09 2023

web may 22 2014 encompassing the story in its entirety as it has unfolded throughout the u s and throughout the church hierarchy betrayal brings into focus the scores of abusive priests who preyed upon innocent children and the cabal of senior church officials who covered up their crimes

**betrayal the crisis in the catholic church c span org** - Sep 04 2022

web oct 25 2003 it now goes to william martin reed his new book harvard yard and next wednesday nightings 6 00 p m with toni morrison the center of today s program is a book entitled de betrayal the

**betrayal the crisis in the catholic church open library** - Jun 01 2022

web aug 30 2020 betrayal the crisis in the catholic church by the investigative staff of the boston globe 2015 little brown

---

company edition in english

*betrayal the crisis in the catholic church the fi alexandra* - Dec 27 2021

web betrayal the crisis in the catholic church the fi recognizing the quirk ways to acquire this ebook betrayal the crisis in the catholic church the fi is additionally useful you have remained in right site to start getting this info get the betrayal the crisis in the catholic church the fi associate that we provide here and check out the link

**betrayal the crisis in the catholic church the findings of the** - Jun 13 2023

web oct 27 2015 buy betrayal the crisis in the catholic church the findings of the investigation that inspired the major motion picture spotlight media tie in by the investigative staff of the boston globe isbn 9780316271530 from amazon s book store everyday low prices and free delivery on eligible orders

**betrayal the crisis in the catholic church the investigative staff** - Nov 06 2022

web feb 29 2016 betrayal the crisis in the catholic church the investigative staff of the boston globe little brown and company boston 2002 volume 28 issue 3

**betrayal the crisis in the catholic church by the investigative** - Apr 30 2022

web betrayal the crisis in the catholic church by the investigative staff of the boston globe hachette book group betrayal the crisis in the catholic church the findings of the investigation that inspired the major motion picture spotlight by the investigative staff of the boston globe 11 99 format ebook media tie in 11 99 audiobook download

**betrayal the crisis in the catholic church by the investigative** - Mar 30 2022

web oct 27 2015 betrayal the crisis in the catholic church the findings of the investigation that inspired the major motion picture spotlight

*betrayal the crisis in the catholic church the findings of the* - Aug 15 2023

web buy betrayal the crisis in the catholic church the findings of the investigation that inspired the major motion picture spotlight by globe the investigative staff of the boston from amazon s fiction books store everyday low prices on a huge range of new releases and classic fiction

[betrayal the crisis in the catholic church google books](#) - Apr 11 2023

web dec 14 2008 reviews aren t verified but google checks for and removes fake content when it s identified with this exposé the boston globe presents the single most comprehensive account of the cover ups

**betrayal the crisis in the catholic church apple books** - Feb 26 2022

web with this exposé the boston globe presents the single most comprehensive account of the cover ups hush money and manipulation used by the catholic church to keep its history of sexual abuse secret

[betrayal the crisis in the catholic church c span org](#) - Jul 02 2022

web oct 25 2003 they have compiled their articles and reports into a book betrayal the crisis in the catholic church published by back bay books following their presentation the panelists answered

**betrayal the crisis in the catholic church free download** - Oct 05 2022

web betrayal the crisis in the catholic church publication date 2003 topics catholic church clergy sexual behavior catholic church discipline child sexual abuse by clergy publisher boston back bay books collection inlibrary printdisabled claremont school of theology internetarchivebooks

**betrayal the crisis in the catholic church the findings of the** - May 12 2023

web english x 282 pages 20 cm this is the true story of how a small group of journalists uncovered child abuse on a vast scale and held the catholic church to account on 31 january 2002 the boston globe published a report that sent shockwaves around the world

[betrayal the crisis in the catholic church amazon co uk](#) - Aug 03 2022

web the boston globe reporters uncovered a huge scandal in the catholic church system in boston not the fact that priests were abusing children they were and this was discovered too but that the catholic church was systematically covering it up for many years