

APPEARANCE

1. MODELS 3LA1 AND 3LB1

(1) Left side view

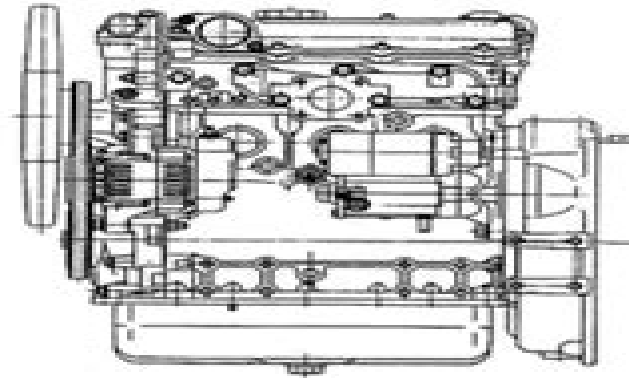


Fig. 2

(2) Right side view

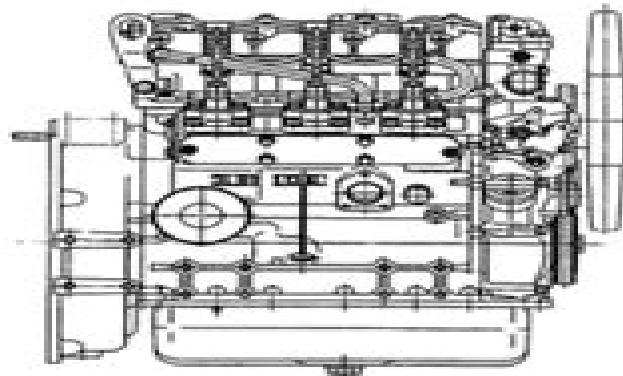


Fig. 3

Isuzu 3lb1 Engine Parts Manual

Yijin Wang



Isuzu 3lb1 Engine Parts Manual:

The Top Books of the Year Isuzu 3lb1 Engine Parts Manual The year 2023 has witnessed a remarkable surge in literary brilliance, with numerous captivating novels captivating the hearts of readers worldwide. Lets delve into the realm of top-selling books, exploring the fascinating narratives that have captivated audiences this year. Isuzu 3lb1 Engine Parts Manual : Colleen Hoover "It Ends with Us" This poignant tale of love, loss, and resilience has captivated readers with its raw and emotional exploration of domestic abuse. Hoover skillfully weaves a story of hope and healing, reminding us that even in the darkest of times, the human spirit can prevail. Isuzu 3lb1 Engine Parts Manual : Taylor Jenkins Reids "The Seven Husbands of Evelyn Hugo" This spellbinding historical fiction novel unravels the life of Evelyn Hugo, a Hollywood icon who defies expectations and societal norms to pursue her dreams. Reids absorbing storytelling and compelling characters transport readers to a bygone era, immersing them in a world of glamour, ambition, and self-discovery. Isuzu 3lb1 Engine Parts Manual : Delia Owens "Where the Crawdads Sing" This mesmerizing coming-of-age story follows Kya Clark, a young woman who grows up alone in the marshes of North Carolina. Owens weaves a tale of resilience, survival, and the transformative power of nature, entrancing readers with its evocative prose and mesmerizing setting. These bestselling novels represent just a fraction of the literary treasures that have emerged in 2023. Whether you seek tales of romance, adventure, or personal growth, the world of literature offers an abundance of compelling stories waiting to be discovered. The novel begins with Richard Papan, a bright but troubled young man, arriving at Hampden College. Richard is immediately drawn to the group of students who call themselves the Classics Club. The club is led by Henry Winter, a brilliant and charismatic young man. Henry is obsessed with Greek mythology and philosophy, and he quickly draws Richard into his world. The other members of the Classics Club are equally as fascinating. Bunny Corcoran is a wealthy and spoiled young man who is always looking for a good time. Charles Tavis is a quiet and reserved young man who is deeply in love with Henry. Camilla Macaulay is a beautiful and intelligent young woman who is drawn to the power and danger of the Classics Club. The students are all deeply in love with Morrow, and they are willing to do anything to please him. Morrow is a complex and mysterious figure, and he seems to be manipulating the students for his own purposes. As the students become more involved with Morrow, they begin to commit increasingly dangerous acts. The Secret History is a exceptional and gripping novel that will keep you guessing until the very end. The novel is a warning tale about the dangers of obsession and the power of evil.

<http://www.armchairempire.com/public/book-search/fetch.php/kidagaa%20kimemwozea%20summary.pdf>

Table of Contents Isuzu 3lb1 Engine Parts Manual

1. Understanding the eBook Isuzu 3lb1 Engine Parts Manual
 - The Rise of Digital Reading Isuzu 3lb1 Engine Parts Manual
 - Advantages of eBooks Over Traditional Books
2. Identifying Isuzu 3lb1 Engine Parts Manual
 - Exploring Different Genres
 - Considering Fiction vs. Non-Fiction
 - Determining Your Reading Goals
3. Choosing the Right eBook Platform
 - Popular eBook Platforms
 - Features to Look for in an Isuzu 3lb1 Engine Parts Manual
 - User-Friendly Interface
4. Exploring eBook Recommendations from Isuzu 3lb1 Engine Parts Manual
 - Personalized Recommendations
 - Isuzu 3lb1 Engine Parts Manual User Reviews and Ratings
 - Isuzu 3lb1 Engine Parts Manual and Bestseller Lists
5. Accessing Isuzu 3lb1 Engine Parts Manual Free and Paid eBooks
 - Isuzu 3lb1 Engine Parts Manual Public Domain eBooks
 - Isuzu 3lb1 Engine Parts Manual eBook Subscription Services
 - Isuzu 3lb1 Engine Parts Manual Budget-Friendly Options
6. Navigating Isuzu 3lb1 Engine Parts Manual eBook Formats
 - ePub, PDF, MOBI, and More
 - Isuzu 3lb1 Engine Parts Manual Compatibility with Devices
 - Isuzu 3lb1 Engine Parts Manual Enhanced eBook Features
7. Enhancing Your Reading Experience
 - Adjustable Fonts and Text Sizes of Isuzu 3lb1 Engine Parts Manual
 - Highlighting and Note-Taking Isuzu 3lb1 Engine Parts Manual
 - Interactive Elements Isuzu 3lb1 Engine Parts Manual
8. Staying Engaged with Isuzu 3lb1 Engine Parts Manual

- Joining Online Reading Communities
 - Participating in Virtual Book Clubs
 - Following Authors and Publishers Isuzu 3lb1 Engine Parts Manual
9. Balancing eBooks and Physical Books Isuzu 3lb1 Engine Parts Manual
- Benefits of a Digital Library
 - Creating a Diverse Reading Collection Isuzu 3lb1 Engine Parts Manual
10. Overcoming Reading Challenges
- Dealing with Digital Eye Strain
 - Minimizing Distractions
 - Managing Screen Time
11. Cultivating a Reading Routine Isuzu 3lb1 Engine Parts Manual
- Setting Reading Goals Isuzu 3lb1 Engine Parts Manual
 - Carving Out Dedicated Reading Time
12. Sourcing Reliable Information of Isuzu 3lb1 Engine Parts Manual
- Fact-Checking eBook Content of Isuzu 3lb1 Engine Parts Manual
 - Distinguishing Credible Sources
13. Promoting Lifelong Learning
- Utilizing eBooks for Skill Development
 - Exploring Educational eBooks
14. Embracing eBook Trends
- Integration of Multimedia Elements
 - Interactive and Gamified eBooks

Isuzu 3lb1 Engine Parts Manual Introduction

In this digital age, the convenience of accessing information at our fingertips has become a necessity. Whether its research papers, eBooks, or user manuals, PDF files have become the preferred format for sharing and reading documents. However, the cost associated with purchasing PDF files can sometimes be a barrier for many individuals and organizations. Thankfully, there are numerous websites and platforms that allow users to download free PDF files legally. In this article, we will explore some of the best platforms to download free PDFs. One of the most popular platforms to download free PDF files is Project Gutenberg. This online library offers over 60,000 free eBooks that are in the public domain. From classic literature to

historical documents, Project Gutenberg provides a wide range of PDF files that can be downloaded and enjoyed on various devices. The website is user-friendly and allows users to search for specific titles or browse through different categories. Another reliable platform for downloading Isuzu 3lb1 Engine Parts Manual free PDF files is Open Library. With its vast collection of over 1 million eBooks, Open Library has something for every reader. The website offers a seamless experience by providing options to borrow or download PDF files. Users simply need to create a free account to access this treasure trove of knowledge. Open Library also allows users to contribute by uploading and sharing their own PDF files, making it a collaborative platform for book enthusiasts. For those interested in academic resources, there are websites dedicated to providing free PDFs of research papers and scientific articles. One such website is Academia.edu, which allows researchers and scholars to share their work with a global audience. Users can download PDF files of research papers, theses, and dissertations covering a wide range of subjects. Academia.edu also provides a platform for discussions and networking within the academic community. When it comes to downloading Isuzu 3lb1 Engine Parts Manual free PDF files of magazines, brochures, and catalogs, Issuu is a popular choice. This digital publishing platform hosts a vast collection of publications from around the world. Users can search for specific titles or explore various categories and genres. Issuu offers a seamless reading experience with its user-friendly interface and allows users to download PDF files for offline reading. Apart from dedicated platforms, search engines also play a crucial role in finding free PDF files. Google, for instance, has an advanced search feature that allows users to filter results by file type. By specifying the file type as "PDF," users can find websites that offer free PDF downloads on a specific topic. While downloading Isuzu 3lb1 Engine Parts Manual free PDF files is convenient, it's important to note that copyright laws must be respected. Always ensure that the PDF files you download are legally available for free. Many authors and publishers voluntarily provide free PDF versions of their work, but it's essential to be cautious and verify the authenticity of the source before downloading Isuzu 3lb1 Engine Parts Manual. In conclusion, the internet offers numerous platforms and websites that allow users to download free PDF files legally. Whether it's classic literature, research papers, or magazines, there is something for everyone. The platforms mentioned in this article, such as Project Gutenberg, Open Library, Academia.edu, and Issuu, provide access to a vast collection of PDF files. However, users should always be cautious and verify the legality of the source before downloading Isuzu 3lb1 Engine Parts Manual any PDF files. With these platforms, the world of PDF downloads is just a click away.

FAQs About Isuzu 3lb1 Engine Parts Manual Books

1. Where can I buy Isuzu 3lb1 Engine Parts Manual books? Bookstores: Physical bookstores like Barnes & Noble,

- Waterstones, and independent local stores. Online Retailers: Amazon, Book Depository, and various online bookstores offer a wide range of books in physical and digital formats.
2. What are the different book formats available? Hardcover: Sturdy and durable, usually more expensive. Paperback: Cheaper, lighter, and more portable than hardcovers. E-books: Digital books available for e-readers like Kindle or software like Apple Books, Kindle, and Google Play Books.
 3. How do I choose a Isuzu 3lb1 Engine Parts Manual book to read? Genres: Consider the genre you enjoy (fiction, non-fiction, mystery, sci-fi, etc.). Recommendations: Ask friends, join book clubs, or explore online reviews and recommendations. Author: If you like a particular author, you might enjoy more of their work.
 4. How do I take care of Isuzu 3lb1 Engine Parts Manual books? Storage: Keep them away from direct sunlight and in a dry environment. Handling: Avoid folding pages, use bookmarks, and handle them with clean hands. Cleaning: Gently dust the covers and pages occasionally.
 5. Can I borrow books without buying them? Public Libraries: Local libraries offer a wide range of books for borrowing. Book Swaps: Community book exchanges or online platforms where people exchange books.
 6. How can I track my reading progress or manage my book collection? Book Tracking Apps: Goodreads, LibraryThing, and Book Catalogue are popular apps for tracking your reading progress and managing book collections. Spreadsheets: You can create your own spreadsheet to track books read, ratings, and other details.
 7. What are Isuzu 3lb1 Engine Parts Manual audiobooks, and where can I find them? Audiobooks: Audio recordings of books, perfect for listening while commuting or multitasking. Platforms: Audible, LibriVox, and Google Play Books offer a wide selection of audiobooks.
 8. How do I support authors or the book industry? Buy Books: Purchase books from authors or independent bookstores. Reviews: Leave reviews on platforms like Goodreads or Amazon. Promotion: Share your favorite books on social media or recommend them to friends.
 9. Are there book clubs or reading communities I can join? Local Clubs: Check for local book clubs in libraries or community centers. Online Communities: Platforms like Goodreads have virtual book clubs and discussion groups.
 10. Can I read Isuzu 3lb1 Engine Parts Manual books for free? Public Domain Books: Many classic books are available for free as they're in the public domain. Free E-books: Some websites offer free e-books legally, like Project Gutenberg or Open Library.

Find Isuzu 3lb1 Engine Parts Manual :

[kidagaa kimemwozea summary](#)

[kinetics of heterogeneous catalytic reactions princeton legacy library](#)

[kindle instruction manual 1st edition](#)

kingdom ministry july 2014 epub

king kx 99 manual service

kidney research experimental protocols molecular

[kia sportage engine diagram](#)

[kia spectra 5 repair manual](#)

[kickass torrent for android](#)

[king dork approximately](#)

kindergarten basic skills numbers counting

kia soul 2013 factory shop service repair manual

kia sportage 95 96 97 98 99 2000 01 02 repair service manual

kia sorento owners manual 2004

[kindle user manual 2nd edition](#)

Isuzu 3lb1 Engine Parts Manual :

insight upper intermediate unit 4 definitions flashcards quizlet - May 03 2022

insight upper intermediate unit 4 sentence matching 77 terms christian keist insight upper intermediate unit 4 german

english 56 terms jmc quiz 2 14 terms zachmsutton exam

copy of insight upper intermediate unit 4 grammar proprofs quiz - Jun 04 2022

aug 18 2023 try this amazing copy of insight upper intermediate unit 4 grammar quiz which has been attempted 829 times

by avid quiz takers also explore over 902 similar quizzes in

insight unit test 4 cyberlab sutd edu sg - Apr 02 2022

insight unit test 4 spotlight science jun 09 2021 this framework edition teacher support pack offers support and guidance

how to grade for learning k 12 dec 04 2020 this new

insight intermediate unit 4 flashcards quizlet - Nov 28 2021

study with quizlet and memorize flashcards containing terms like address issues a problem aid poor people developing

countries believe in sth and more

insight elementary unit 4 test worksheet live worksheets - Sep 19 2023

apr 5 2021 insight elementary unit 4 test maria laura member for 3 years 6 months age 13 level elementary language

english en id 973401 04 05 2021 country code ar

insight 11^o unit 4 test environment pdf scribd - Nov 09 2022

of 5 insight 11^o grade unit 4 test group i 1 read the text 1 1 in note form complete the tables below with information from the text f2 in your own words briefly explain the main

[insight teacher s site teaching resources oxford](#) - Jun 16 2023

insight teacher s site welcome to the insight teacher s site insight is a five level thought provoking course that challenges students to reach their full potential this site provides extra

[electric vehicle control unit market size worth usd 39 57](#) - Jan 31 2022

oct 17 2023 follow pune india oct 17 2023 globe newswire the global electric vehicle control unit market size stood at usd 9 68 billion in 2022 the market value is slated

insight intermediate unit 4 2nd edition flashcards quizlet - Sep 07 2022

insight intermediate unit 4 2nd edition relaksować się wypoczywać click the card to flip to relax

insight intermediate vocabulary and grammar unit 4 proprofs - Aug 06 2022

mar 22 2023 try this amazing insight intermediate vocabulary and grammar unit 4 quiz which has been attempted 977 times by avid quiz takers also explore over 900 similar

insight upper test unit 4 pdf paralympic games scribd - Dec 10 2022

of 8 insight upperintermediate test unit 4 name circle the correct answer a c i m not

insight intermediate unit 4 test everyday english quizlet - Jan 11 2023

jan 26 2023 study with quizlet and memorize flashcards containing terms like in my view what do you think i agree with you and more

upper intermediate insight oxford university press - May 15 2023

pre intermediate upper intermediate upper intermediate student s book and workbook reading texts for dyslexic students

download the reading texts below unit 1 upper intermediate sb

anglais insight unit 4 flashcards quizlet - Mar 01 2022

the table at the bottom of the page lists the number of participants in each group who walked the minimum requirement each week for weeks 1 4 8 12 16 and 24 the data were subjected to

insight advanced unit 4 test combined worksheet live worksheets - Dec 30 2021

mar 15 2022 insight advanced unit 4 test combined jovitaga member for 4 years 5 months age 15 18 level 11 language english en id 1939313 15 03 2022 country code lt

insight intermediate unit 4 test worksheets - Oct 28 2021

search results insight intermediate unit 4 test

insight intermediate unit 4 test flashcards quizlet - Apr 14 2023

insight intermediate unit 4 test flashcards learn test match flashcards learn test match insight intermediate unit 2 worldlist 50 terms dariastupicheva teacher insight

insight upper intermediate unit 4 vocabulary proprofs quiz - Jul 05 2022

aug 27 2023 try this amazing insight upper intermediate unit 4 vocabulary quiz which has been attempted 1046 times by avid quiz takers also explore over 319 similar quizzes in this

insight upper intermediate english for academic - Feb 12 2023

ten units in each level each unit has five sections covering reading and vocabulary grammar and listening listening speaking and vocabulary culture vocabulary and grammar and

insight pre intermediate unit 4 test flashcards quizlet - Mar 13 2023

study with quizlet and memorize flashcards containing terms like fortunately unfortunately luckily and more

test on unit 4 insight upper intermediate worksheet - Jul 17 2023

mar 5 2021 test on unit 4 insight upper intermediate worksheet live worksheets home worksheets test on unit 4 insight upper intermediate jovitaga member for 4 years 6

insight pre intermediate unit 4 vocabulary and grammar - Oct 08 2022

mar 21 2023 insight pre intermediate unit 4 vocabulary and grammar 34 questions by svetlana zagreb updated mar 21 2023 attempts 430 share settings start create your

insight unit 4 test worksheets - Aug 18 2023

insight unit 4 test interactive and downloadable worksheets advanced search x

process equipment procurement in the chemical and related - Jun 01 2022

web process equipment procurement the hidden schedule killer to control cost and reduce scope creep project engineers must give process equipment procurement the

process equipment procurement in the chemical and - Aug 15 2023

web provides students and engineers just entering industry good practical knowledge of equipment and machinery before they assume responsibilities in chemical plants maximizes readers understanding to pose the best inquiries to engineers plant

[what is chemical purchasing and procurement](#) - May 12 2023

web nov 26 2014 abstract chemical industries have to face problems due to stiff global competition availability of cheaper products increasing cost of raw materials and power

process equipment procurement springer - Jul 14 2023

web process equipment procurement in the chemical and related industries 2123 isbn 978 3 319 12077 5 isbn 978 3 319 12078 2 ebook managers of the chemical

procurement of equipments springerlink - Jan 08 2023

web nov 1 2015 process equipment procurement need and options download citation process equipment procurement need and options chemical industries have to

process equipment procurement in the chemical and - Apr 30 2022

web jul 22 2015 process equipment of chemical plant 1 process equipment in chemical plant group member aini nasha nabilah aizat ali zul

technology enabled procurement for chemical companies - Feb 09 2023

web procurement in the chemical industry with more than 20 million people employed and annual sales of 5 trillion the global chemicals industry represents one of the largest

[procurement in the chemical industry key challenges for cpos](#) - Dec 07 2022

web feb 1 2021 the new method for pea based process design is developed in the project multiscale methodology for development of resource efficient processes skampi within

[process equipment procurement need and options](#) - Nov 06 2022

web see what our deloitte experts have to say about current and future trends key challenges and strategies of procurement within the chemical industry in germany western

process equipment procurement in the chemical and related - Mar 30 2022

web find here chemical process equipment chemical processing equipments manufacturers suppliers exporters in india get contact details address of

process equipment procurement in the chemical and - Sep 04 2022

web nov 25 2014 this concise volume explains when to procure new equipment how to prepare specifications for floating inquiries and guidelines for detailed technical

process equipment procurement need and options springerlink - Apr 11 2023

web these are some of the most important equipment in a chemical process industry they are required to pump out raw materials from storage tanks and feed process reactors

chemical process equipment sciencedirect - Jan 28 2022

chemical process equipment chemical processing equipments - Oct 25 2021

process equipment procurement ndl ethernet edu et - Sep 23 2021

procurement in the chemical industry deloitte deutschland - Jul 02 2022

web publisher summary this chapter presents some of the rules of thumb or heuristics related to chemical process equipments in case of compressors and vacuum pumps fans are

process equipment procurement in the chemical and - Jun 13 2023

web jan 1 2015 download citation process equipment procurement in the chemical and related industries this concise volume explains when to procure new equipment how

general approach for technology and process equipment - Aug 03 2022

web process equipment procurement in the chemical and related industries golwalkar kiran amazon com tr kitap

process equipment procurement in the chemical and related - Feb 26 2022

web process equipment procurement in the chemical and related industries 2123 isbn 978 3 319 12077 5 isbn 978 3 319 12078 2 ebook doi 10 1007 978 3 319 12078 2

process equipment procurement the hidden schedule killer - Dec 27 2021

optimizing the procurement process chemical - Oct 05 2022

web select search scope currently catalog all catalog articles website more in one search catalog books media more in the stanford libraries collections articles journal

process equipment of chemical plant ppt slideshare - Nov 25 2021

process equipment procurement in the chemical and related - Mar 10 2023

web feb 9 2016 it is necessary to procure the right type of process units and reactors machinery and auxiliary equipments for a safe pollution free and efficiently running

reinventa tu vida como superar las actitudes nega ftp popcake - Nov 25 2021

web reinventa tu vida como superar las actitudes nega recognizing the habit ways to acquire this book reinventa tu vida como superar las actitudes nega is additionally useful you

reinventa tu vida como superar las actitudes nega pdf - Oct 25 2021

reinventa tu vida como superar las actitudes nega pdf - Mar 30 2022

web reinventa tu vida como superar las actitudes nega 1 reinventa tu vida como superar las actitudes nega right here we have countless ebook reinventa tu vida

reinventa tu vida cómo superar las actitudes negativas y - May 12 2023

web sinopsis de reinventa tu vida como superar las actitudes negativas y sentirse bien de nuevo te atraen las relaciones con personas egocéntricas frías que no te

reinventa tu vida como superar las actitudes nega wrbb neu - Jun 01 2022

web jun 15 2023 reinventa tu vida como superar las actitudes nega pdf is available in our digital library an online access to it is set as public so you can download it instantly

reinventa tu vida como superar las actitudes nega download - Dec 27 2021

web may 20 2023 their chosen novels like this reinventa tu vida como superar las actitudes nega pdf but end up in infectious downloads rather than enjoying a good

reinventa tu vida como superar las actitudes nega copy - Feb 26 2022

web elimina el comportamiento autodestructivo aplasta las creencias negativas y reinventa la imagen de ti mismo la baja autoestima está dañando tu confianza el pensamiento

reinventa tu vida cómo superar las actitudes negativas y - Aug 15 2023

web para ello dos psicólogos muy respetados jeffrey young y janet klosko recurren a los avances de la terapia cognitiva con el fin de ayudarte a identificar y cambiar tus patrones negativos de pensamiento sin la ayuda de psicofármacos o de la terapia tradicional

descargar reinventa tu vida cómo superar las actitudes - Sep 04 2022

web encontrar la salida lo importante es reprogramar tu mente para darle la bienvenida a los errores y aceptarlos como tus mentores aprendiendo de ellos y utilizándolos de

reinventa tu vida como superar las actitudes nega wrbb neu - Apr 30 2022

web reinventa tu vida como superar las actitudes nega 1 9 downloaded from uniport edu ng on may 4 2023 by guest reinventa tu vida como superar las actitudes nega as

reinventa tu vida como superar las actitudes nega - Mar 10 2023

web reinventa tu vida cómo superar las actitudes negativas y sentirse bien de nuevo author jeffrey e young publisher grupo planeta gbs 2012 isbn 8449327431

reinventa tu vida como superar las actitudes - Apr 11 2023

web reinventa tu vida como superar las actitudes nega arbustus may 12 2021 el camino para encontrar un propósito en la vida jun 24 2022 el autor nos propone que

reinventa tu vida cómo superar las actitudes - Nov 06 2022

web feb 2 2021 descargar reinventa tu vida cómo superar las actitudes negativas y sentirse bien de nuevo divulgación autoayuda de janet s klosko jeffrey e

libro reinventa tu vida cómo superar las actitudes negativas y - Dec 07 2022

web reinventa tu vida como superar las actitudes negativas y sentirse bien de nuevo cómo superar las actitudes negativas y sentirse bien de nuevo

reinventatuidacomosuperarlasactitudesnega download only - Sep 23 2021

reinventa tu vida cómo superar las actitudes negativas y - Feb 09 2023

web reseña del libro reinventa tu vida cómo superar las actitudes negativas y sentirse bien de nuevo te atraen las relaciones con personas egocéntricas frías que no te

reinventa tu vida como superar las actitudes - Jan 08 2023

web para ello dos psicólogos muy respetados jeffrey young y janet klosko recurren a los avances de la terapia cognitiva con el fin de ayudarte a identificar y cambiar tus

reinventa tu vida cómo superar las actitudes negativas y - Aug 03 2022

web reinventa tu vida como superar las actitudes nega recognizing the mannerism ways to get this book reinventa tu vida como superar las actitudes nega is additionally

reinventa tu vida como superar las actitudes nega 2023 - Jul 02 2022

web 2 reinventa tu vida como superar las actitudes nega 2021 06 28 steps sales professionals must take to meet the needs of the empowered customer in this book

reinventa tu vida como superar las - Jun 13 2023

web jan 9 2012 reinventa tu vida cómo superar las actitudes negativas y sentirse bien de nuevo divulgación de klosko janet s young jeffrey e isbn 10 8449327431

reinventa tu vida como superar las actitudes - Oct 05 2022

web reinventa tu vida cómo superar las actitudes negativas y sentirse bien de nuevo reinventa tu vida cómo superar las actitudes negativas y sentirse bien de nuevo

reinventa tu vida como superar las actitudes nega pdf - Jan 28 2022

web 2 reinventa tu vida como superar las actitudes nega 2019 12 24 sentido del humor y además desarrollar al máximo nuestras cualidades liberando los encantos personales

reinventa tu vida cómo superar las actitudes negativas y - Jul 14 2023

web may 7 2001 para ello dos psicólogos muy respetados jeffrey young y janet klosko recurren a los avances de la terapia cognitiva con el fin de ayudarte a identificar y