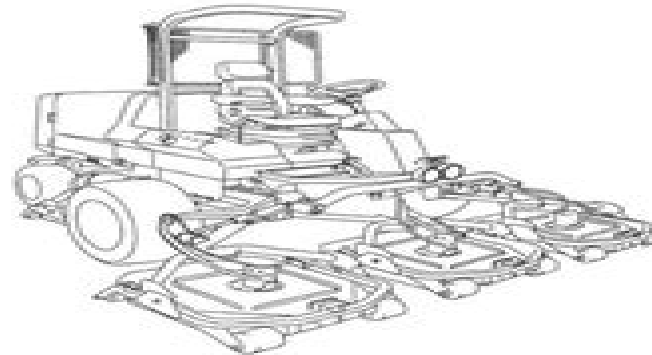


GM2800B

5-Unit Rotary Mower

Owner's Operating Manual



Serial No. GM2800B : 12370-

"Required reading"

Read this manual and the Owner's Manual for the engine before using the machine.

BARONESS
Quality on Demand

Ver.1.4

Kubota 2800 Operators Manual

Hong Kong



Kubota 2800 Operators Manual:

Power Farming in Australia and New Zealand Technical Manual ,1989 **The Hong Kong Government Gazette**
Hong Kong,1994 **Implement & Tractor Red Book** ,1988 *Mergent International Manual* ,2009 Farmers and
Consumers Market Bulletin ,2010 *Farm Equipment Red Book Issue* ,1990 **The Handbook of Landfill Operations**
Neal Bolton,1995 Resource added for the Environmental Engineering Waste and Water Technology program 105062
Farm Machinery & Tractor Facts ,1983 **Public Works Manual** ,2002 **Official Guide, Tractors and Farm**
Equipment ,1981 Moody's OTC Industrial Manual ,1994 Companies traded over the counter or on regional conferences
Regional Industrial Buying Guide ,2000 Moody's OTC Unlisted Manual ,1992 Michigan Roads and Construction
,1994 **Moody's International Manual** ,1996 Farm Power and Machinery Management Donnell Hunt,1983 Economic
performance Costs Operations Power Equipment selection Laboratory exercises **Israel and China: From the Tang**
Dynasty to Silicon Wadi Mark O'Neill,2018-01-01 The Jews first arrived in China during the Tang dynasty 618 907 AD and
settled as businessmen civil servants and professionals They assimilated into Chinese society and lost their Jewish character
The next wave came in the mid 19th century with the opening of the treaty ports and settled in Shanghai They went into
trading especially opium and diversified into property manufacturing finance public transport and retail Another Jewish
community settled in Harbin after the opening of the China Eastern Railway in 1903 They also prospered in trading and
business Both communities built synagogues schools social clubs and welfare institutions During World War Two 25 000 Jews
from Nazi occupied Europe took refuge in Shanghai one of the few cities in the world open to them Many received visas from
Asian diplomats who defied their governments to issue them The Japanese military refused the Nazi demand to carry out the
final solution of the Jews in Shanghai After 1945 inflation civil war and Communist rule made most Jews leave China for new
homes in Israel North America Australia and elsewhere The new state of Israel worked hard to establish diplomatic ties with
the People s Republic it became an important supplier of weapons in the 1980s But it took 42 years for the two countries to
sign the ties in 1992 Since then relations have blossomed and China has become one of Israel s biggest foreign investors In
the reform and open door era Jewish people have returned to China and form important communities in Beijing Shanghai
Guangzhou and other cities Part of this narrative are remarkable individuals who have left a deep imprint on China Karl Marx
Sir Victor Sassoon Silas Hardoon the Kadoorie family Henry Kissinger and Sigmund Freud To tell this extraordinary story
Mark O Neill conducted many interviews with rabbis businessmen entrepreneurs professors and journalists in Beijing
Shanghai Hong Kong and Israel It is largely a joyful page in Jewish history **Waste Age** ,1990-02 The official magazine of
Waste Expo **Jane's International Defense Review** ,1999 **Home Power** ,2003

Thank you entirely much for downloading **Kubota 2800 Operators Manual**. Most likely you have knowledge that, people have seen numerous times for their favorite books once this Kubota 2800 Operators Manual, but stop up in harmful downloads.

Rather than enjoying a good book past a mug of coffee in the afternoon, on the other hand they juggled subsequently some harmful virus inside their computer. **Kubota 2800 Operators Manual** is manageable in our digital library an online right of entry to it is set as public in view of that you can download it instantly. Our digital library saves in compound countries, allowing you to get the most less latency era to download any of our books as soon as this one. Merely said, the Kubota 2800 Operators Manual is universally compatible next any devices to read.

<http://www.armchairempire.com/public/publication/index.jsp/mcdonalds%20franchise%20manual.pdf>

Table of Contents Kubota 2800 Operators Manual

1. Understanding the eBook Kubota 2800 Operators Manual
 - The Rise of Digital Reading Kubota 2800 Operators Manual
 - Advantages of eBooks Over Traditional Books
2. Identifying Kubota 2800 Operators Manual
 - Exploring Different Genres
 - Considering Fiction vs. Non-Fiction
 - Determining Your Reading Goals
3. Choosing the Right eBook Platform
 - Popular eBook Platforms
 - Features to Look for in an Kubota 2800 Operators Manual
 - User-Friendly Interface
4. Exploring eBook Recommendations from Kubota 2800 Operators Manual
 - Personalized Recommendations
 - Kubota 2800 Operators Manual User Reviews and Ratings
 - Kubota 2800 Operators Manual and Bestseller Lists

5. Accessing Kubota 2800 Operators Manual Free and Paid eBooks
 - Kubota 2800 Operators Manual Public Domain eBooks
 - Kubota 2800 Operators Manual eBook Subscription Services
 - Kubota 2800 Operators Manual Budget-Friendly Options
6. Navigating Kubota 2800 Operators Manual eBook Formats
 - ePub, PDF, MOBI, and More
 - Kubota 2800 Operators Manual Compatibility with Devices
 - Kubota 2800 Operators Manual Enhanced eBook Features
7. Enhancing Your Reading Experience
 - Adjustable Fonts and Text Sizes of Kubota 2800 Operators Manual
 - Highlighting and Note-Taking Kubota 2800 Operators Manual
 - Interactive Elements Kubota 2800 Operators Manual
8. Staying Engaged with Kubota 2800 Operators Manual
 - Joining Online Reading Communities
 - Participating in Virtual Book Clubs
 - Following Authors and Publishers Kubota 2800 Operators Manual
9. Balancing eBooks and Physical Books Kubota 2800 Operators Manual
 - Benefits of a Digital Library
 - Creating a Diverse Reading Collection Kubota 2800 Operators Manual
10. Overcoming Reading Challenges
 - Dealing with Digital Eye Strain
 - Minimizing Distractions
 - Managing Screen Time
11. Cultivating a Reading Routine Kubota 2800 Operators Manual
 - Setting Reading Goals Kubota 2800 Operators Manual
 - Carving Out Dedicated Reading Time
12. Sourcing Reliable Information of Kubota 2800 Operators Manual
 - Fact-Checking eBook Content of Kubota 2800 Operators Manual
 - Distinguishing Credible Sources
13. Promoting Lifelong Learning

- Utilizing eBooks for Skill Development
 - Exploring Educational eBooks
14. Embracing eBook Trends
- Integration of Multimedia Elements
 - Interactive and Gamified eBooks

Kubota 2800 Operators Manual Introduction

Kubota 2800 Operators Manual Offers over 60,000 free eBooks, including many classics that are in the public domain. Open Library: Provides access to over 1 million free eBooks, including classic literature and contemporary works. Kubota 2800 Operators Manual Offers a vast collection of books, some of which are available for free as PDF downloads, particularly older books in the public domain. Kubota 2800 Operators Manual : This website hosts a vast collection of scientific articles, books, and textbooks. While it operates in a legal gray area due to copyright issues, its a popular resource for finding various publications. Internet Archive for Kubota 2800 Operators Manual : Has an extensive collection of digital content, including books, articles, videos, and more. It has a massive library of free downloadable books. Free-eBooks Kubota 2800 Operators Manual Offers a diverse range of free eBooks across various genres. Kubota 2800 Operators Manual Focuses mainly on educational books, textbooks, and business books. It offers free PDF downloads for educational purposes. Kubota 2800 Operators Manual Provides a large selection of free eBooks in different genres, which are available for download in various formats, including PDF. Finding specific Kubota 2800 Operators Manual, especially related to Kubota 2800 Operators Manual, might be challenging as theyre often artistic creations rather than practical blueprints. However, you can explore the following steps to search for or create your own Online Searches: Look for websites, forums, or blogs dedicated to Kubota 2800 Operators Manual, Sometimes enthusiasts share their designs or concepts in PDF format. Books and Magazines Some Kubota 2800 Operators Manual books or magazines might include. Look for these in online stores or libraries. Remember that while Kubota 2800 Operators Manual, sharing copyrighted material without permission is not legal. Always ensure youre either creating your own or obtaining them from legitimate sources that allow sharing and downloading. Library Check if your local library offers eBook lending services. Many libraries have digital catalogs where you can borrow Kubota 2800 Operators Manual eBooks for free, including popular titles. Online Retailers: Websites like Amazon, Google Books, or Apple Books often sell eBooks. Sometimes, authors or publishers offer promotions or free periods for certain books. Authors Website Occasionally, authors provide excerpts or short stories for free on their websites. While this might not be the Kubota 2800 Operators Manual full book , it can give you a taste of the authors writing style. Subscription Services Platforms like Kindle Unlimited or Scribd offer subscription-based access to a wide range of Kubota 2800 Operators Manual eBooks, including

some popular titles.

FAQs About Kubota 2800 Operators Manual Books

How do I know which eBook platform is the best for me? Finding the best eBook platform depends on your reading preferences and device compatibility. Research different platforms, read user reviews, and explore their features before making a choice. Are free eBooks of good quality? Yes, many reputable platforms offer high-quality free eBooks, including classics and public domain works. However, make sure to verify the source to ensure the eBook credibility. Can I read eBooks without an eReader? Absolutely! Most eBook platforms offer webbased readers or mobile apps that allow you to read eBooks on your computer, tablet, or smartphone. How do I avoid digital eye strain while reading eBooks? To prevent digital eye strain, take regular breaks, adjust the font size and background color, and ensure proper lighting while reading eBooks. What the advantage of interactive eBooks? Interactive eBooks incorporate multimedia elements, quizzes, and activities, enhancing the reader engagement and providing a more immersive learning experience. Kubota 2800 Operators Manual is one of the best book in our library for free trial. We provide copy of Kubota 2800 Operators Manual in digital format, so the resources that you find are reliable. There are also many Ebooks of related with Kubota 2800 Operators Manual. Where to download Kubota 2800 Operators Manual online for free? Are you looking for Kubota 2800 Operators Manual PDF? This is definitely going to save you time and cash in something you should think about. If you trying to find then search around for online. Without a doubt there are numerous these available and many of them have the freedom. However without doubt you receive whatever you purchase. An alternate way to get ideas is always to check another Kubota 2800 Operators Manual. This method for see exactly what may be included and adopt these ideas to your book. This site will almost certainly help you save time and effort, money and stress. If you are looking for free books then you really should consider finding to assist you try this. Several of Kubota 2800 Operators Manual are for sale to free while some are payable. If you arent sure if the books you would like to download works with for usage along with your computer, it is possible to download free trials. The free guides make it easy for someone to free access online library for download books to your device. You can get free download on free trial for lots of books categories. Our library is the biggest of these that have literally hundreds of thousands of different products categories represented. You will also see that there are specific sites catered to different product types or categories, brands or niches related with Kubota 2800 Operators Manual. So depending on what exactly you are searching, you will be able to choose e books to suit your own need. Need to access completely for Campbell Biology Seventh Edition book? Access Ebook without any digging. And by having access to our ebook online or by storing it on your computer, you have convenient answers with Kubota 2800 Operators Manual To get started finding Kubota 2800 Operators Manual, you are

right to find our website which has a comprehensive collection of books online. Our library is the biggest of these that have literally hundreds of thousands of different products represented. You will also see that there are specific sites catered to different categories or niches related with Kubota 2800 Operators Manual So depending on what exactly you are searching, you will be able to choose ebook to suit your own need. Thank you for reading Kubota 2800 Operators Manual. Maybe you have knowledge that, people have search numerous times for their favorite readings like this Kubota 2800 Operators Manual, but end up in harmful downloads. Rather than reading a good book with a cup of coffee in the afternoon, instead they juggled with some harmful bugs inside their laptop. Kubota 2800 Operators Manual is available in our book collection an online access to it is set as public so you can download it instantly. Our digital library spans in multiple locations, allowing you to get the most less latency time to download any of our books like this one. Merely said, Kubota 2800 Operators Manual is universally compatible with any devices to read.

Find Kubota 2800 Operators Manual :

mcdonalds franchise manual

[mazda kl manual](#)

[medougal littell literature grammar for writing workbook grade 6](#)

[mazda mpv 2002 2005 service repair manual](#)

[medougal littell algebra 2 resource book chapter 3](#)

[mazes puzzles and games grade 2 homework helper](#)

[mazda rx7 rx 7 1993 car workshop manual repair manual service manual](#)

mba fundamentals business writing 08 by flood timothy paperback 2008

mccormick ct47hst owner manual

mcats quicksheet physics

[mccormick tractor repair manual](#)

[mcgraw hill connect 200 chemistry answer key](#)

[mazda tribute repair manual online](#)

[mazda protege 1996 service repair manual](#)

[mazda mpv 1996 manual](#)

Kubota 2800 Operators Manual :

Expresate!: Spanish 1 Cuaderno de Vocabulario y ... Our resource for Expresate!: Spanish 1 Cuaderno de Vocabulario y Gramática includes answers to chapter exercises, as well as detailed information to walk you ... Holt Spanish 1 Chapter 9 Answers | Spanish to Go Oct 26, 2022 — Accessing the answers for Chapter 9 of Holt Spanish 1 can aid in self-assessment, reinforcement of concepts, and identifying areas that require ... Expresate!: Spanish 1 - 1st Edition - Solutions and Answers Find step-by-step solutions and answers to Expresate!: Spanish 1 - 9780030452048, as well as thousands of textbooks so you can move forward with confidence. Holt spanish 1 answer key pdf ... Holt Spanish 1 Workbook Answer Key Chapter 9 , but stop up in harmful downloads. Download File PDF Holt Spanish 1 Answer Key Chapter everywhere and is ... Free reading Holt spanish one workbook answer key (2023) Mar 18, 2023 — grades 1 3 esl spanish with age appropriate activities this beginning spanish workbook helps children build knowledge and. Holt Spanish 1 9. ser / la primavera. 30 Write complete sentences by matching phrases from ... Write your answers in Spanish. 7 Lucas is responding to a girl in school who ... Holt Spanish 2 Recuerdos Capitulo 6 Answers chapter 9 milady workbook answers cheat code for mortal kombat 11 cheat code for watch dogs. 2 celebrity jeopardy questions and answers cheapest online ... Vocabulario 1 Gramatica 1 Answer Key - Fill Online ... Fill Vocabulario 1 Gramatica 1 Answer Key, Edit online. Sign, fax and printable from PC, iPad, tablet or mobile with pdfFiller ☐ Instantly. Try Now! Holt Spanish 1 Teacher Edition Pdf Holt Spanish 1 Workbook Answers Chapter 8. Highly acclaimed and effectively ... Find more similar flip PDFs like Holt Literature Textbook - 9th grade - Unit 11 - ... Literature: Craft and Voice by Delbanco, Nicholas Literature: Craft and Voice is an innovative Introductory Literature program designed to engage students in the reading of Literature, all with a view to ... Literature: Craft & Voice (Fiction, Poetry, Drama): Three ... Literature: Craft & Voice (Fiction, Poetry, Drama): Three Volume Set by Delbanco Nicholas and Alan Cheuse and Nicholas Delbanco available in Trade Paperback ... Literature: Craft & Voice (Fiction, Poetry, Drama): Three ... Nick Delbanco and Alan Cheuse have proven in their own teaching that when you improve students' ability and interest in reading, you will help them improve ... nicholas delbanco - literature craft voice Literature: Craft and Voice (Volume 1, Fiction) by Delbanco, Nicholas, Cheuse, Alan and a great selection of related books, art and collectibles available ... Literature : craft and voice Literature : craft and voice. Authors: Nicholas Delbanco, Alan Cheuse. Front cover image for Literature : craft and voice. Summary: Bringing writers to readers ... Literature: Craft & Voice (Paperback) Jan 20, 2012 — Nick Delbanco and Alan Cheuse have proven in their own teaching that when you improve students' ability and interest in reading, you will help ... Literature: Craft & Voice (Fiction, Poetry, Drama): Three ... Literature: Craft & Voice (Fiction, Poetry, Drama): Three Volume Set. Front Cover. Nicholas Delbanco, Alan Cheuse. McGraw-Hill Companies, Incorporated, Jul 30 ... 9780073384924 | Literature: Craft and Voice Jan 21, 2012 — Nick Delbanco and Alan Cheuse have proven in their own teaching that when you improve students' ability and interest in reading, you will help ... Delbanco And Cheuse Literature Craft And Voice Delbanco

And Cheuse Literature Craft And. Voice. <. M h. C. K. T. Craft & Voice with Connect Literature (Spark) Access Card ... Literature: Craft & Voice with Connect Literature (Spark) Access Card By Nicholas Delbanco. By Nicholas Delbanco, Alan Cheuse. \$169.91. Add to Wish List. The Education of Little Tree The Education of Little Tree is a memoir-style novel written by Asa Earl Carter under the pseudonym Forrest Carter. First published in 1976 by Delacorte ... The Education of Little Tree (1997) Little Tree is an 8-year-old Cherokee boy who loses his parents during The Great Depression and begins living with his Indian grandparents and learning the ... The Education of Little Tree: Forrest Carter, Rennard ... This book is a treasure of bits of wisdom, practical and sensible, that illustrate that learning is found not only in books but in life's experiences. Here ... The Education of Little Tree by Forrest Carter The Education of Little Tree tells of a boy orphaned very young, who is adopted by his Cherokee grandmother and half-Cherokee grandfather in the Appalachian ... The Education of Little Tree (film) It is based on the controversial 1976 fictional memoir of the same title by Asa Earl Carter (writing pseudonymously as "Forrest Carter", a supposedly Cherokee ... The Real Education of Little Tree The message was straight out of Carter's 1976 book, the Education of Little Tree, an account of his upbringing in the backwoods of Tennessee, where his Indian ... The Education of Little Tree A classic of its era and an enduring book for all ages, The Education of Little Tree continues to share important lessons. Little Tree's story allows us to ... The Artful Reinvention Of Klansman Asa Earl Carter Apr 20, 2012 — In the early 1990s, The Education of Little Tree became a publishing phenomenon. It told the story of an orphan growing up and learning the ... Biblio Hoaxes: The Education of Little Tree The book purports to be the memoir of a half Cherokee boy raised by his grandparents during the Great Depression, but in an October 4, 1991 New York Times ... The Education of Little Tree: A True Story - Books After his death, his brother revealed that none of the story in this book is true, or based on anything true. That being said, when taken as a work of pure ...