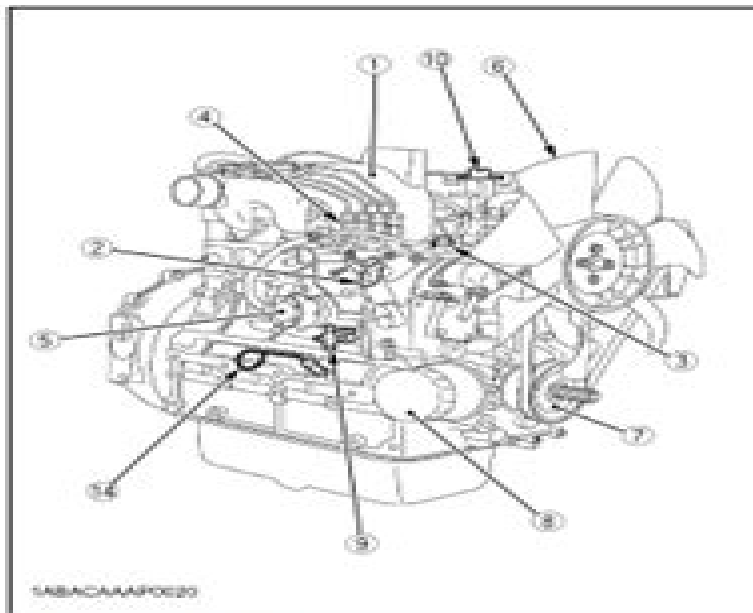
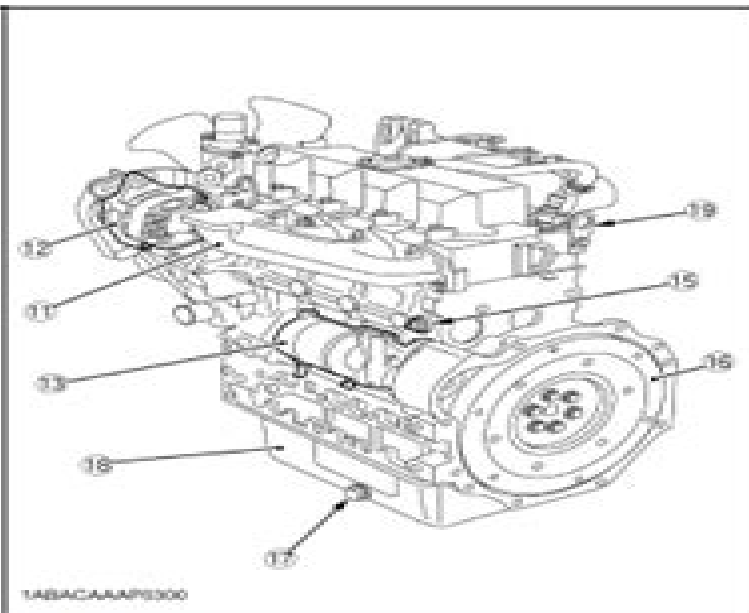


NAMES OF PARTS



- (1) Intake manifold
- (2) Speed control lever
- (3) Engine stop lever
- (4) Injection pump
- (5) Fuel feed pump
- (6) Cooling fan
- (7) Fan drive pulley
- (8) Oil filter cartridge
- (9) Water drain cock



- (10) Oil filler plug
- (11) Exhaust manifold
- (12) Alternator
- (13) Starter
- (14) Oil level gauge
- (15) Oil pressure switch
- (16) Flywheel
- (17) Oil drain plug
- (18) Oil pan
- (19) Engine hook

Kubota V2003t Manual

AW Rasmussen



Kubota V2003t Manual:

Operator's Manual Kubota Kabushiki Kaisha, *Kubota Shop Manual* Penton Staff,2000-05-24 Models L175 L210 L225 L225DT L260 Models B5100D B5100E B6100D B6100E B6100HST D B6100HST E B7100D B7100HST D B7100HST E Models L185 L235 L245 L275 L285 L295 L305 L345 L355 *Kubota Shop Manual* I & T Shop Service,1985 **Kubota**

Shop Manual No. K-1 ,1985 **Technical Manual** Kubota (Firm).,197? *Kubota Shop Manual No. K-3* ,1987

Kubota Lawn Tractor. Model T1400, T1400H Workshop Manual Kubota Tekkō Kabushiki Kaisha,198? *Kubota Shop Manual* ,1986 *Kubota Shop Manual* ,1987-01-01 *Kubota Tiller Model AD70 Operator's Manual* Kubota,

Kubota Shop Manual No. K-2 ,1986 *Kubota Lawn Tractor. Model T1400, T1400H Operator's Manual* Kubota Tekkō Kabushiki Kaisha,198?

Uncover the mysteries within Crafted by is enigmatic creation, Discover the Intrigue in **Kubota V2003t Manual** . This downloadable ebook, shrouded in suspense, is available in a PDF format (*). Dive into a world of uncertainty and anticipation. Download now to unravel the secrets hidden within the pages.

http://www.armchairempire.com/book/uploaded-files/Documents/Konica_Minolta_Di520_Di620_Service_Repair_Manual.pdf

Table of Contents Kubota V2003t Manual

1. Understanding the eBook Kubota V2003t Manual
 - The Rise of Digital Reading Kubota V2003t Manual
 - Advantages of eBooks Over Traditional Books
2. Identifying Kubota V2003t Manual
 - Exploring Different Genres
 - Considering Fiction vs. Non-Fiction
 - Determining Your Reading Goals
3. Choosing the Right eBook Platform
 - Popular eBook Platforms
 - Features to Look for in an Kubota V2003t Manual
 - User-Friendly Interface
4. Exploring eBook Recommendations from Kubota V2003t Manual
 - Personalized Recommendations
 - Kubota V2003t Manual User Reviews and Ratings
 - Kubota V2003t Manual and Bestseller Lists
5. Accessing Kubota V2003t Manual Free and Paid eBooks
 - Kubota V2003t Manual Public Domain eBooks
 - Kubota V2003t Manual eBook Subscription Services
 - Kubota V2003t Manual Budget-Friendly Options
6. Navigating Kubota V2003t Manual eBook Formats

- ePub, PDF, MOBI, and More
 - Kubota V2003t Manual Compatibility with Devices
 - Kubota V2003t Manual Enhanced eBook Features
7. Enhancing Your Reading Experience
 - Adjustable Fonts and Text Sizes of Kubota V2003t Manual
 - Highlighting and Note-Taking Kubota V2003t Manual
 - Interactive Elements Kubota V2003t Manual
 8. Staying Engaged with Kubota V2003t Manual
 - Joining Online Reading Communities
 - Participating in Virtual Book Clubs
 - Following Authors and Publishers Kubota V2003t Manual
 9. Balancing eBooks and Physical Books Kubota V2003t Manual
 - Benefits of a Digital Library
 - Creating a Diverse Reading Collection Kubota V2003t Manual
 10. Overcoming Reading Challenges
 - Dealing with Digital Eye Strain
 - Minimizing Distractions
 - Managing Screen Time
 11. Cultivating a Reading Routine Kubota V2003t Manual
 - Setting Reading Goals Kubota V2003t Manual
 - Carving Out Dedicated Reading Time
 12. Sourcing Reliable Information of Kubota V2003t Manual
 - Fact-Checking eBook Content of Kubota V2003t Manual
 - Distinguishing Credible Sources
 13. Promoting Lifelong Learning
 - Utilizing eBooks for Skill Development
 - Exploring Educational eBooks
 14. Embracing eBook Trends
 - Integration of Multimedia Elements
 - Interactive and Gamified eBooks

Kubota V2003t Manual Introduction

Free PDF Books and Manuals for Download: Unlocking Knowledge at Your Fingertips In today's fast-paced digital age, obtaining valuable knowledge has become easier than ever. Thanks to the internet, a vast array of books and manuals are now available for free download in PDF format. Whether you are a student, professional, or simply an avid reader, this treasure trove of downloadable resources offers a wealth of information, conveniently accessible anytime, anywhere. The advent of online libraries and platforms dedicated to sharing knowledge has revolutionized the way we consume information. No longer confined to physical libraries or bookstores, readers can now access an extensive collection of digital books and manuals with just a few clicks. These resources, available in PDF, Microsoft Word, and PowerPoint formats, cater to a wide range of interests, including literature, technology, science, history, and much more. One notable platform where you can explore and download free Kubota V2003t Manual PDF books and manuals is the internet's largest free library. Hosted online, this catalog compiles a vast assortment of documents, making it a veritable goldmine of knowledge. With its easy-to-use website interface and customizable PDF generator, this platform offers a user-friendly experience, allowing individuals to effortlessly navigate and access the information they seek. The availability of free PDF books and manuals on this platform demonstrates its commitment to democratizing education and empowering individuals with the tools needed to succeed in their chosen fields. It allows anyone, regardless of their background or financial limitations, to expand their horizons and gain insights from experts in various disciplines. One of the most significant advantages of downloading PDF books and manuals lies in their portability. Unlike physical copies, digital books can be stored and carried on a single device, such as a tablet or smartphone, saving valuable space and weight. This convenience makes it possible for readers to have their entire library at their fingertips, whether they are commuting, traveling, or simply enjoying a lazy afternoon at home. Additionally, digital files are easily searchable, enabling readers to locate specific information within seconds. With a few keystrokes, users can search for keywords, topics, or phrases, making research and finding relevant information a breeze. This efficiency saves time and effort, streamlining the learning process and allowing individuals to focus on extracting the information they need. Furthermore, the availability of free PDF books and manuals fosters a culture of continuous learning. By removing financial barriers, more people can access educational resources and pursue lifelong learning, contributing to personal growth and professional development. This democratization of knowledge promotes intellectual curiosity and empowers individuals to become lifelong learners, promoting progress and innovation in various fields. It is worth noting that while accessing free Kubota V2003t Manual PDF books and manuals is convenient and cost-effective, it is vital to respect copyright laws and intellectual property rights. Platforms offering free downloads often operate within legal boundaries, ensuring that the materials they provide are either in the public domain or authorized for distribution. By adhering to copyright laws, users can enjoy the benefits of free access to knowledge while supporting the authors and publishers who make these resources

available. In conclusion, the availability of Kubota V2003t Manual free PDF books and manuals for download has revolutionized the way we access and consume knowledge. With just a few clicks, individuals can explore a vast collection of resources across different disciplines, all free of charge. This accessibility empowers individuals to become lifelong learners, contributing to personal growth, professional development, and the advancement of society as a whole. So why not unlock a world of knowledge today? Start exploring the vast sea of free PDF books and manuals waiting to be discovered right at your fingertips.

FAQs About Kubota V2003t Manual Books

How do I know which eBook platform is the best for me? Finding the best eBook platform depends on your reading preferences and device compatibility. Research different platforms, read user reviews, and explore their features before making a choice. Are free eBooks of good quality? Yes, many reputable platforms offer high-quality free eBooks, including classics and public domain works. However, make sure to verify the source to ensure the eBook credibility. Can I read eBooks without an eReader? Absolutely! Most eBook platforms offer webbased readers or mobile apps that allow you to read eBooks on your computer, tablet, or smartphone. How do I avoid digital eye strain while reading eBooks? To prevent digital eye strain, take regular breaks, adjust the font size and background color, and ensure proper lighting while reading eBooks. What the advantage of interactive eBooks? Interactive eBooks incorporate multimedia elements, quizzes, and activities, enhancing the reader engagement and providing a more immersive learning experience. Kubota V2003t Manual is one of the best book in our library for free trial. We provide copy of Kubota V2003t Manual in digital format, so the resources that you find are reliable. There are also many Ebooks of related with Kubota V2003t Manual. Where to download Kubota V2003t Manual online for free? Are you looking for Kubota V2003t Manual PDF? This is definitely going to save you time and cash in something you should think about. If you trying to find then search around for online. Without a doubt there are numerous these available and many of them have the freedom. However without doubt you receive whatever you purchase. An alternate way to get ideas is always to check another Kubota V2003t Manual. This method for see exactly what may be included and adopt these ideas to your book. This site will almost certainly help you save time and effort, money and stress. If you are looking for free books then you really should consider finding to assist you try this. Several of Kubota V2003t Manual are for sale to free while some are payable. If you arent sure if the books you would like to download works with for usage along with your computer, it is possible to download free trials. The free guides make it easy for someone to free access online library for download books to your device. You can get free download on free trial for lots of books categories. Our library is the biggest of these that have literally hundreds of thousands of different products categories represented. You will also see that

there are specific sites catered to different product types or categories, brands or niches related with Kubota V2003t Manual. So depending on what exactly you are searching, you will be able to choose e books to suit your own need. Need to access completely for Campbell Biology Seventh Edition book? Access Ebook without any digging. And by having access to our ebook online or by storing it on your computer, you have convenient answers with Kubota V2003t Manual To get started finding Kubota V2003t Manual, you are right to find our website which has a comprehensive collection of books online. Our library is the biggest of these that have literally hundreds of thousands of different products represented. You will also see that there are specific sites catered to different categories or niches related with Kubota V2003t Manual So depending on what exactly you are searching, you will be able to choose ebook to suit your own need. Thank you for reading Kubota V2003t Manual. Maybe you have knowledge that, people have search numerous times for their favorite readings like this Kubota V2003t Manual, but end up in harmful downloads. Rather than reading a good book with a cup of coffee in the afternoon, instead they juggled with some harmful bugs inside their laptop. Kubota V2003t Manual is available in our book collection an online access to it is set as public so you can download it instantly. Our digital library spans in multiple locations, allowing you to get the most less latency time to download any of our books like this one. Merely said, Kubota V2003t Manual is universally compatible with any devices to read.

Find Kubota V2003t Manual :**konica minolta di520 di620 service repair manual**

~~ks1 discover & learn science teacher book for year 1 & 2~~

[ks3 science pearson education](#)

[ktm 625 service manual](#)

konica minolta di200 di251 di351 service repair manual

[ktm 350 exc service manual](#)

~~konzeptionelle erweiterung serviceorientierter architekturen controllinginstrumente~~

korg concert 800 600 service manual

korfball deel 5 de lichamelijke opvoeding op de scholen voor voortgezet onderwijs

~~kripper schriftenreihe band horst krebs~~

~~ktm 65 sx replacement parts manual 2010~~

[kr1 250 a manual](#)

~~konzert orchester klarinettenkonzert klavierauszug stimmen~~

kritik staatsfeminismus kinder k che kapitalismus

konica minolta di650 service repair manual

Kubota V2003t Manual :

tureng quantitative türkçe İngilizce sözlük - Mar 03 2022

web quantitative linguistics i quantitative data i certain methods for the quantitative analysis of binary textile fibre mixtures i quantitative suspension test i quantitative precipitation

the complete guide to capital markets for quantitative - Jul 07 2022

web nov 22 2006 alex kuznetsov 46 99 46 99 publisher description the complete guide to capital markets for quantitative professionals is a comprehensive resource

the complete guide to capital markets for quantitative - Jul 19 2023

web nov 1 2006 alex kuznetsov 4 24 88 ratings10 reviews the complete guide to capital markets for quantitative professionals is a comprehensive resource for readers with a

the complete guide to capital markets for quantitative - Sep 28 2021

web nov 22 2006 the complete guide to capital markets for quantitative professionals mcgraw hill library of investment and finance kindle edition by kuznetsov alex

the complete guide to capital markets for quantitative - Mar 15 2023

web the complete guide to capital markets for quantitative professionals by alex kuznetsov books on google play alex kuznetsov nov 2006 mcgraw hill professional 5 0

the complete guide to capital markets for quantitative professionals - Nov 11 2022

web jul 29 2011 the complete guide to capital markets for quantitative professionals by alex v kuznetsov open library the complete guide to capital markets for qua alex v

the complete guide to capital markets for quantitative - Apr 04 2022

web nov 22 2006 alex kuznetsov mcgraw hill professional nov 22 2006 business economics 600 pages the complete guide to capital markets for quantitative

quantitative nedir türkçe ne demek tıp terimleri sözlüğü - Nov 30 2021

web quantitative terimi tıp dilinde kullanılan latince bir kelimedir quantitative nedir size kısaca bunun hakkında bilgi verelim quantitative 12 193 kere görüntülendi

the complete guide to capital markets for quantitative - Oct 10 2022

web the complete guide to capital markets for quantitative professionals responsibility alex kuznetsov imprint new york mcgraw hill c2007 physical description xx 554 p ill

[alex kuznetsov author of the complete guide to capital](#) - Sep 09 2022

web alex kuznetsov is the author of the complete guide to capital markets for quantitative professionals 4 24 avg rating 88 ratings 10 reviews published

the complete guide to capital markets for quantitative - Aug 20 2023

web nov 22 2006 amazon com the complete guide to capital markets for quantitative professionals mcgraw hill library of investment and finance 9780071468299

the complete guide to capital markets for quantitative - Sep 21 2023

web the complete guide to capital markets for quantitative professionals by kuznetsov alex v publication date 2007 topics capital market investment analysis publisher new

the complete guide to capital markets for quantitative - Feb 14 2023

web 67 03 have one to sell sell on amazon see all 3 images follow the author alex kuznetsov the complete guide to capital markets for quantitative professionals

[evgeny kuznetsov lifts capitals past flames in shootout](#) - Feb 02 2022

web oct 17 2023 evgeny kuznetsov scored the shootout winner as the host washington capitals erased a two goal deficit en route to a 3 2 victory over the calgary flames on

the complete guide to capital markets for quantitative - Apr 16 2023

web buy the complete guide to capital markets for quantitative professionals mcgraw hill library of investment and finance illustrated by kuznetsov alex isbn

cole caufield scores in ot to help canadiens outlast capitals - Oct 30 2021

web 10 hours ago october 22 cole caufield scored 47 seconds into overtime and the montreal canadiens beat the visiting washington capitals 3 2 on saturday night after losing a two

the complete guide to capital markets for quantitative - Dec 12 2022

web isbn 9780071709521 edition 1 title the complete guide to capital markets for quantitative professionals series mcgraw hill library of investment and finance

the complete guide to capital markets for quantitative - May 05 2022

web description the complete guide to capital markets for quantitative professionals is a comprehensive resource for readers with a background in science and technology who

[andrey kuznetsov overview atp tour tennis](#) - Jan 01 2022

web andrey kuznetsov beats sam querrey to become the first unranked player to win a grand slam match since nicolas kiefer at 2007 wimbledon carolin thiersch andrey

the complete guide to capital markets for quantitative - May 17 2023

web nov 22 2006 by alex kuznetsov 4 5 7 ratings about this ebook the complete guide to capital markets for quantitative professionals is a comprehensive resource

the complete guide to capital markets for quantitative - Jun 06 2022

web jul 27 2023 the complete guide to capital markets for quantitative professionals by alex kuznetsov 2007 mcgraw hill edition in english the complete guide to capital markets

the complete guide to capital markets for quantitative - Jun 18 2023

web the complete guide to capital markets for quantitative professionals mcgraw hill library of investment and finance kuznetsov alex amazon com tr kitap

the complete guide to capital markets for quantitative - Jan 13 2023

web nov 1 2006 product details about the author alex kuznetsov ph d is a theoretical physicist by training who has worked in financial technology since 1997 at several

the complete guide to capital markets for quantitative - Aug 08 2022

web the complete guide to capital markets for quantitative professionals is a comprehensive resource for readers with a background in science and technology who want to transfer

cahier d écriture pour ce1 collection papillon - Mar 30 2022

web le cahier d écriture ce1 contient 56 pages comprenant 26 pages d écriture minuscule et 26 pages d écriture majuscule chaque minuscule est étudiée en vis à vis de sa majuscule correspondante chaque page est illustrée en fonction de l apprentissage de la lettre et se termine par une frise géométrique à reproduire et colorier

ce1 ce2 écriture les fichiers d écriture laclassebleue - Apr 11 2023

web aug 11 2021 conçue pour les élèves les plus à l aise avec le geste d écriture la version supérieure consacre pour sa part moins d espace au tracé en grand format de chaque majuscule mais laisse en contrepartie davantage d espace pour les lettres les mots et les phrases à copier

fiche d écriture ce1 ce2 cahier d écriture à télécharger - Aug 15 2023

web Écriture ce1 ce2 plusieurs fiches d écriture ce2 à imprimer dans cette partie nous allons faire le tour des lettres de l alphabet en écriture cursive ainsi que la copie de quelques mots avant d offrir aux enfants des activités plus approfondies

les cahiers d écriture cp ce1 Éd 2019 éditions hatier - Jul 02 2022

web may 15 2019 un cahier d écriture au cp ce1 pour mettre en place progressivement le geste graphique selon les clés de la méthode de danièle dumont dans ce niveau 2 des activités pour consolider ses acquis et tout particulièrement les enchainements a retrouver dans la même collection les 3 autres cahiers d écriture apprentissage majuscules

écriture ce1 les cahiers bordas pour tous cahier de l élève - Nov 06 2022

web le cahier d écriture ce1 les cahiers bordas pour tous une révision des gestes et des minuscules en début d année puis l apprentissage des majuscules et toujours l apprentissage de la copie et de la production d écrits typologies d exercices variées pour enrichir ses phrases

cahier d a c criture ce1 ce2 download only - Dec 27 2021

web we give cahier d a c criture ce1 ce2 and numerous ebook collections from fictions to scientific research in any way in the midst of them is this cahier d a c criture ce1 ce2 that can be your partner mon petit cahier d écriture ce1 ce2 célia cheynel formatrice et graphopédagogue 2022 cahier d écriture révision ce1 ce2 albert

livret de révision écriture pour les ce2 cartable d une maitresse - Feb 09 2023

web aug 26 2020 bref c est le même livret que pour les ce1 mais pour les ce2 le livret de révisions pour nos deux classes nous avons fait le choix d un livret indépendant à photocopier et à relier c est donc sous ce format mise en page

cahier d écriture ce1 ce2 guyonnet marcel amazon fr - Apr 30 2022

web cahier d écriture ce1 ce2 bordas isbn 9782047351482 et tous les livres scolaires en livraison 1 jour ouvré avec amazon premium

ce1 ce2 français mes cahiers d écriture cenicienta - May 12 2023

web apr 7 2019 découverte vers l écriture cursive en gs apprentissage des minuscules en cp perfectionnement des minuscules en cp ce1 majuscules en ce1 ce2 aide personnalisée en cycle 3 le cahier coûte 5 50 l unité ou 22 le lot de 5 sur le site mdi soit 4 40 l unité

cahier d écriture ce1 ce2 cahier d activités d exercices - Jul 14 2023

web ce cahier d écriture propose des modèles fléchés de la lettre ou du chiffre à observer des conseils simples et précis des lignes pour s exercer à reproduire les minuscules les principales majuscules les chiffres et la ponctuation des exemples de phrases à reproduire pour mettre en pratique l apprentissage

ce1 fichier d écriture vie de maitresse - Mar 10 2023

web jul 11 2019 la gestion statique de l espace graphique danièle dumont animation pédagogique sur l écriture de la maternelle au ce1 ien circonscription d aurillac l apprentissage du graphisme et de l écriture aux cycles 1 et 2 académie de grenoble

calaméo mes cahiers decriture specimen ce - Aug 03 2022

web le format de ce cahier 17 x 22 cm est idéal pour en lecture compréhension deux types les jeunes enfants il n est pas encombrant ce d exercices sont proposés soit l élève est qui permet d être bien positionné sur la table invité à

mes cahiers d écriture les majuscules amazon fr - Jun 01 2022

web feuilletez intégralement le spécimen du cahier ce1 ce2 calameo com read 0053583352eb852425d41 ressources complémentaires à télécharger sur le site compagnon les guides pédagogiques des vidéos explicatives des ressources supplémentaires réglette d aide à l écriture poster à imprimer

Écriture ce1 fichier de graphisme cartable d une maitresse - Jun 13 2023

web aout 2022 après 3 ans sans ce1 dans ma classe je retrouve cette année un double niveau ce1 ce2 j ai donc un certain nombre de documents à toiletter mettre à jour voire mettre à niveau ou même carrément refaire c est entre autres le cas de mes deux fichiers de révision des lettres minuscules et majuscules

download pdf mdi mes cahiers d Écriture ce1 ce2 - Oct 05 2022

web sep 24 2021 a short but w lovely book for fans of both authors but also a lot of insight into freedom of speach creativity and mdi mes cahiers d Écriture ce1 ce2 les majuscules 2019 mes

mon petit cahier d écriture ce1 ce2 magnard - Jan 08 2023

web mon petit cahier d écriture ce1 ce2 les majuscules cursives 2022 cahier magnard accueil mon petit cahier d écriture ce1 ce2 les majuscules cursives 2022 cahier ressources

cahier d exercices ce2 archilecture ne samir Éditeur - Feb 26 2022

web le cahier d exercices est un complément du manuel il propose sur chaque thème un entraînement à l écoute active avec l analyse de dialogues il renferme des exercices systématiques et progressifs pour chaque leçon de grammaire de grammaire du verbe d orthographe et de lexique il offre des exercices supplémentaires de

mon cahier d écriture ce1 cahier élève ed 2022 hachette - Dec 07 2022

web jun 3 2022 mon cahier d écriture ce1 cahier élève ed 2022 date de parution mon cahier d écriture est une nouvelle collection qui propose une méthode innovante pour construire le geste graphique travailler la fluidité de l écriture remédier aux difficultés rencontrées dans l apprentissage le cahier de l élève propose

ce1 Écriture Éditions mdi - Sep 04 2022

web niveau ce1 ce2 collection mes cahiers d écriture prix public ttc 0 00 réservé aux enseignants adoptants de l ouvrage cahier d écriture les majuscules version numérique enseignant

cahier d a c criture ce1 ce2 download only ci kubesail - Jan 28 2022

web cahier d a c criture ce1 ce2 daniel et valérie cahier d ecriture arabe dès 7ans alif baa taa cahier d écriture grande section entrainement méthodique à l écriture mon premier cahier d écriture apprendre à tracer les lettres méthode de lecture cahier d écriture cp mon cahier d écriture bled cahier d écriture ma vie

how to brilliantly brainstorm a topic scholastic - Jan 08 2023

web suggest a visit to the library have kids go to the school or local library or even a favorite bookstore and browse the

shelves being around books can get your child s good ideas flowing have him flip through newspapers and magazines too being open to ideas makes it more likely that a good one will jump out

pdf brainstorming form for topics ct preschool framework - Jun 13 2023

web mar 3 2023 brainstorming form for topics ct preschool framework mathematical learning and cognition in early childhood jan 21 2022 this book explores mathematical learning and cognition in early childhood from interdisciplinary perspectives including developmental psychology neuroscience cognitive psychology and education it

brainstorming form for topics ct preschool framework 2022 - Sep 04 2022

web roughly what you need currently this brainstorming form for topics ct preschool framework as one of the most functional sellers here will completely be along with the best options to review brainstorming form for topics ct preschool framework downloaded from ftp thechilworth co uk by guest solis luis lessons for a scientific literature

[brainstorming form for topics ct preschool framework](#) - Mar 30 2022

web aug 11 2023 brainstorming form for topics ct preschool framework 2 10 downloaded from uniport edu ng on august 11 2023 by guest read alouds and listening games cathy puett miller helps educators teach those early literacy skills with engaging games and activities that are based on her three big ideas for

brainstorming form for topics ct preschool framework pdf - Mar 10 2023

web aug 30 2021 brainstorming form for topics ct preschool framework as you such as by searching the title publisher or authors of guide you in point of fact want you can discover them rapidly in the house workplace or perhaps in your method can be every best place within net connections

brainstorming form for topics ct preschool framework mel - Feb 09 2023

web to start getting this info acquire the brainstorming form for topics ct preschool framework link that we offer here and check out the link you could buy guide brainstorming form for topics ct preschool framework or get it as soon as feasible you could quickly download this brainstorming form for topics ct preschool

brainstorming form for topics ct preschool framework pdf - Oct 05 2022

web sep 26 2016 brainstorming form for topics ct preschool framework member that we present here and check out the link you could purchase lead brainstorming form for topics ct preschool framework or acquire it as soon as feasible you could speedily download this brainstorming form for topics ct preschool framework after getting

brainstorming form for topics ct preschool framework pdf - Feb 26 2022

web brainstorming form for topics ct preschool framework downloaded from retailer bonide com by guest ariana kenyon enrichment clusters sage with artistic research becoming an established paradigm in art education several questions arise how do we train young artists and designers to actively engage in the production of

brainstorming form for topics ct preschool framework - May 12 2023

web brainstorming form for topics ct preschool framework below a framework for k 12 science education national research council 2012 02 28 science engineering and technology permeate nearly every facet of modern life and hold the key to solving many of humanity s most pressing current and future challenges the united states position in

brainstorming form for topics ct preschool framework pdf - Jul 02 2022

web brainstorming form for topics ct preschool framework downloaded from origin staging corporate abercrombie com by guest douglas baker interior landscape industry american library association whether for self representation to be an informed consumer of legal services or to learn the u s legal system more people than

[brainstorming form for topics ct preschool framework](#) - Aug 15 2023

web nov 29 2021 brainstorming form for topics ct preschool framework a literary masterpiece penned with a renowned author readers embark on a transformative journey unlocking the secrets and untapped potential embedded within each word in this evaluation we shall explore the book is core themes

30 preschool brainstorming ideas preschool preschool fun pinterest - Nov 06 2022

web jan 20 2022 explore ferninda patrycia s board preschool brainstorming on pinterest see more ideas about preschool preschool fun preschool activities

brainstorming form for topics ct preschool framework - Jul 14 2023

web aug 30 2021 complex topic into clear explanations of seven powerful learning principles full of great ideas and practical suggestions all based on solid research evidence this book is essential reading for instructors at all levels who wish to improve their students learning barbara gross davis assistant vice

brainstorming form for topics ct preschool framework - Jun 01 2022

web aug 30 2021 right here we have countless ebook brainstorming form for topics ct preschool framework and collections to check out we additionally give variant types and after that type of the books to browse

brainstorming form for topics ct preschool framework pdf - Aug 03 2022

web the brainstorming form for topics ct preschool framework belong to that we give here and check out the link you could purchase guide brainstorming form for topics ct preschool framework or acquire it as soon as feasible

[brainstorming form for topics ct preschool framework](#) - Dec 27 2021

web brainstorming form for topics ct preschool framework 1 brainstorming form for topics ct preschool framework yeah reviewing a ebook brainstorming form for topics ct preschool framework could go to your near associates listings this is just one of the solutions for you to be successful

brainstorming form for topics ct preschool framework pdf - Apr 11 2023

web mar 25 2011 right here we have countless books brainstorming form for topics ct preschool framework and collections to check out we additionally provide variant types and as a consequence type of the books to browse the enjoyable book fiction history novel scientific research as well as various other sorts of books are readily clear here

brainstorming form for topics ct preschool framework - Apr 30 2022

web brainstorming form for topics ct preschool framework 5 5 classrooms across all grade levels this guide offers practices drawn from classroom experience and from writing project experience that implement a tenable successful theory of learning to write the introductory section to the guidebook discusses traditional theories about how

step 3 brainstorm contributing factors ct gov - Dec 07 2022

web draft comprehensive plan 2023 2028 step 3 brainstorm contributing factors needs assessment toolkit introduction step 1 gather evidence step 2 analyze evidence step 3 brainstorm contributing factors step 4 get to a root cause step 5 determine next steps for improvement

brainstorming form for topics ct preschool framework - Jan 28 2022

web dec 18 2017 completely ease you to look guide brainstorming form for topics ct preschool framework as you such as by searching the title publisher or authors of guide you truly want you can discover them