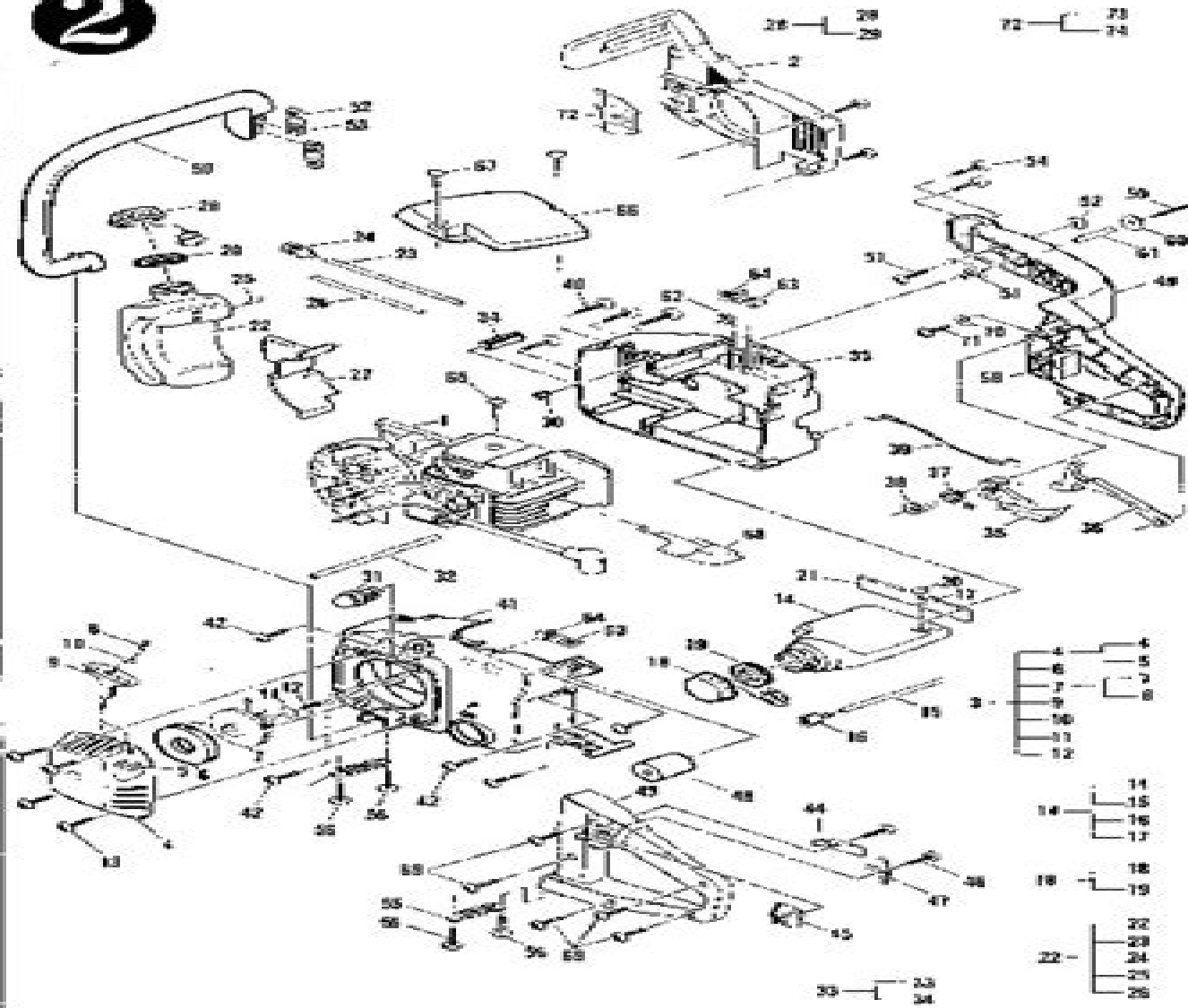


2



1	3000000
2	3000000
3	3000000
4	3000000
5	3000000
6	3000000
7	3000000
8	3000000
9	3000000
10	3000000
11	3000000
12	3000000
13	3000000
14	3000000
15	3000000
16	3000000
17	3000000
18	3000000
19	3000000
20	3000000
21	3000000
22	3000000
23	3000000
24	3000000
25	3000000
26	3000000
27	3000000
28	3000000
29	3000000
30	3000000
31	3000000
32	3000000
33	3000000
34	3000000
35	3000000
36	3000000
37	3000000
38	3000000
39	3000000
40	3000000
41	3000000
42	3000000
43	3000000
44	3000000
45	3000000
46	3000000
47	3000000
48	3000000
49	3000000
50	3000000
51	3000000
52	3000000
53	3000000
54	3000000
55	3000000
56	3000000
57	3000000
58	3000000
59	3000000
60	3000000
61	3000000
62	3000000
63	3000000
64	3000000
65	3000000
66	3000000
67	3000000
68	3000000
69	3000000
70	3000000
71	3000000
72	3000000

Mcculloch 838 Av Manual

JE Gale



Mcculloch 838 Av Manual:

Maine Register, State Year-book and Legislative Manual ,1984 Vols for 19 include Classified business directory of the entire state

Manipulative Therapy Karel Lewit,2009-09-16 Manipulative Therapy provides a systematic overview of chain reactions which are the basis of a rational holistic approach These reactions are closely related to the upright human posture and to the deep stabilisation system as shown in the work of Richardson et al in Therapeutic Exercise for Spinal Stabilisation in Low Back Pain This approach has meant a considerable advance in the therapy and rehabilitation of patients It gives a balanced picture of the importance of muscles joints and soft tissues under the control of the nervous system the textbook aims to treat disturbance of function the most common cause of pain in the motor system in the most effective way Locomotor system dysfunctions are shown to be treated very effectively using manual medicine techniques Spinal column and joint mobility can be restored and pain triggered by the autonomic nervous system can be positively influenced This is a comprehensive source of information relating to pathogenesis diagnosis indications and treatment methods incorporating the latest research findings Radiological diagnosis is shown as laying the foundation for successful diagnosis and treatment with manual medicine techniques Typical conditions associated with pain in the locomotor system is presented and described in functional terms for the first time The book concludes with chapters covering preventative aspects and expert assessment

Manipulative Therapy Musculoskeletal Medicine is the follow on from Manipulative Therapy in Rehabilitation of the Locomotor System published by Butterworth Heinemann 1985

R.L. Polk & Co.'s Indianapolis City Directory for ... ,1914

Audiovisual Market Place ,1974

The Lakeside Annual Directory of the City of Chicago ,1914

Who's who in the Midwest ,1956

Arts & Humanities Citation Index ,1997

The Compact Edition of the Oxford English Dictionary Sir James Augustus Henry Murray,1971 Micrographic reproduction of the 13 volume Oxford English dictionary published in 1933

Unveiling the Energy of Verbal Art: An Psychological Sojourn through **Mcculloch 838 Av Manual**

In a global inundated with displays and the cacophony of instant conversation, the profound power and psychological resonance of verbal art often diminish into obscurity, eclipsed by the regular barrage of noise and distractions. However, located within the musical pages of **Mcculloch 838 Av Manual**, a fascinating perform of fictional splendor that pulses with natural thoughts, lies an unique trip waiting to be embarked upon. Composed by a virtuoso wordsmith, this exciting opus books visitors on a psychological odyssey, lightly revealing the latent possible and profound influence stuck within the complex web of language. Within the heart-wrenching expanse of this evocative examination, we can embark upon an introspective exploration of the book is key themes, dissect their charming publishing design, and immerse ourselves in the indelible impression it leaves upon the depths of readers souls.

<http://www.armchairempire.com/files/virtual-library/fetch.php/Kawasaki%20Manual%20Tech.pdf>

Table of Contents Mcculloch 838 Av Manual

1. Understanding the eBook Mcculloch 838 Av Manual
 - The Rise of Digital Reading Mcculloch 838 Av Manual
 - Advantages of eBooks Over Traditional Books
2. Identifying Mcculloch 838 Av Manual
 - Exploring Different Genres
 - Considering Fiction vs. Non-Fiction
 - Determining Your Reading Goals
3. Choosing the Right eBook Platform
 - Popular eBook Platforms
 - Features to Look for in an Mcculloch 838 Av Manual
 - User-Friendly Interface
4. Exploring eBook Recommendations from Mcculloch 838 Av Manual
 - Personalized Recommendations

- Mcculloch 838 Av Manual User Reviews and Ratings
- Mcculloch 838 Av Manual and Bestseller Lists
- 5. Accessing Mcculloch 838 Av Manual Free and Paid eBooks
 - Mcculloch 838 Av Manual Public Domain eBooks
 - Mcculloch 838 Av Manual eBook Subscription Services
 - Mcculloch 838 Av Manual Budget-Friendly Options
- 6. Navigating Mcculloch 838 Av Manual eBook Formats
 - ePub, PDF, MOBI, and More
 - Mcculloch 838 Av Manual Compatibility with Devices
 - Mcculloch 838 Av Manual Enhanced eBook Features
- 7. Enhancing Your Reading Experience
 - Adjustable Fonts and Text Sizes of Mcculloch 838 Av Manual
 - Highlighting and Note-Taking Mcculloch 838 Av Manual
 - Interactive Elements Mcculloch 838 Av Manual
- 8. Staying Engaged with Mcculloch 838 Av Manual
 - Joining Online Reading Communities
 - Participating in Virtual Book Clubs
 - Following Authors and Publishers Mcculloch 838 Av Manual
- 9. Balancing eBooks and Physical Books Mcculloch 838 Av Manual
 - Benefits of a Digital Library
 - Creating a Diverse Reading Collection Mcculloch 838 Av Manual
- 10. Overcoming Reading Challenges
 - Dealing with Digital Eye Strain
 - Minimizing Distractions
 - Managing Screen Time
- 11. Cultivating a Reading Routine Mcculloch 838 Av Manual
 - Setting Reading Goals Mcculloch 838 Av Manual
 - Carving Out Dedicated Reading Time
- 12. Sourcing Reliable Information of Mcculloch 838 Av Manual
 - Fact-Checking eBook Content of Mcculloch 838 Av Manual

- Distinguishing Credible Sources
- 13. Promoting Lifelong Learning
 - Utilizing eBooks for Skill Development
 - Exploring Educational eBooks
- 14. Embracing eBook Trends
 - Integration of Multimedia Elements
 - Interactive and Gamified eBooks

Mcculloch 838 Av Manual Introduction

Mcculloch 838 Av Manual Offers over 60,000 free eBooks, including many classics that are in the public domain. Open Library: Provides access to over 1 million free eBooks, including classic literature and contemporary works. Mcculloch 838 Av Manual Offers a vast collection of books, some of which are available for free as PDF downloads, particularly older books in the public domain. Mcculloch 838 Av Manual : This website hosts a vast collection of scientific articles, books, and textbooks. While it operates in a legal gray area due to copyright issues, its a popular resource for finding various publications. Internet Archive for Mcculloch 838 Av Manual : Has an extensive collection of digital content, including books, articles, videos, and more. It has a massive library of free downloadable books. Free-eBooks Mcculloch 838 Av Manual Offers a diverse range of free eBooks across various genres. Mcculloch 838 Av Manual Focuses mainly on educational books, textbooks, and business books. It offers free PDF downloads for educational purposes. Mcculloch 838 Av Manual Provides a large selection of free eBooks in different genres, which are available for download in various formats, including PDF. Finding specific Mcculloch 838 Av Manual, especially related to Mcculloch 838 Av Manual, might be challenging as theyre often artistic creations rather than practical blueprints. However, you can explore the following steps to search for or create your own Online Searches: Look for websites, forums, or blogs dedicated to Mcculloch 838 Av Manual, Sometimes enthusiasts share their designs or concepts in PDF format. Books and Magazines Some Mcculloch 838 Av Manual books or magazines might include. Look for these in online stores or libraries. Remember that while Mcculloch 838 Av Manual, sharing copyrighted material without permission is not legal. Always ensure youre either creating your own or obtaining them from legitimate sources that allow sharing and downloading. Library Check if your local library offers eBook lending services. Many libraries have digital catalogs where you can borrow Mcculloch 838 Av Manual eBooks for free, including popular titles. Online Retailers: Websites like Amazon, Google Books, or Apple Books often sell eBooks. Sometimes, authors or publishers offer promotions or free periods for certain books. Authors Website Occasionally, authors provide excerpts or short stories for free on their websites. While this might not be the Mcculloch 838 Av Manual full book , it can give you a taste of

the authors writing style. Subscription Services Platforms like Kindle Unlimited or Scribd offer subscription-based access to a wide range of Mcculloch 838 Av Manual eBooks, including some popular titles.

FAQs About Mcculloch 838 Av Manual Books

How do I know which eBook platform is the best for me? Finding the best eBook platform depends on your reading preferences and device compatibility. Research different platforms, read user reviews, and explore their features before making a choice. Are free eBooks of good quality? Yes, many reputable platforms offer high-quality free eBooks, including classics and public domain works. However, make sure to verify the source to ensure the eBook credibility. Can I read eBooks without an eReader? Absolutely! Most eBook platforms offer webbased readers or mobile apps that allow you to read eBooks on your computer, tablet, or smartphone. How do I avoid digital eye strain while reading eBooks? To prevent digital eye strain, take regular breaks, adjust the font size and background color, and ensure proper lighting while reading eBooks. What the advantage of interactive eBooks? Interactive eBooks incorporate multimedia elements, quizzes, and activities, enhancing the reader engagement and providing a more immersive learning experience. Mcculloch 838 Av Manual is one of the best book in our library for free trial. We provide copy of Mcculloch 838 Av Manual in digital format, so the resources that you find are reliable. There are also many Ebooks of related with Mcculloch 838 Av Manual. Where to download Mcculloch 838 Av Manual online for free? Are you looking for Mcculloch 838 Av Manual PDF? This is definitely going to save you time and cash in something you should think about. If you trying to find then search around for online. Without a doubt there are numerous these available and many of them have the freedom. However without doubt you receive whatever you purchase. An alternate way to get ideas is always to check another Mcculloch 838 Av Manual. This method for see exactly what may be included and adopt these ideas to your book. This site will almost certainly help you save time and effort, money and stress. If you are looking for free books then you really should consider finding to assist you try this. Several of Mcculloch 838 Av Manual are for sale to free while some are payable. If you arent sure if the books you would like to download works with for usage along with your computer, it is possible to download free trials. The free guides make it easy for someone to free access online library for download books to your device. You can get free download on free trial for lots of books categories. Our library is the biggest of these that have literally hundreds of thousands of different products categories represented. You will also see that there are specific sites catered to different product types or categories, brands or niches related with Mcculloch 838 Av Manual. So depending on what exactly you are searching, you will be able to choose e books to suit your own need. Need to access completely for Campbell Biology Seventh Edition book? Access Ebook without any digging. And by having access to our ebook online or by storing it on your computer, you have convenient answers with

Mcculloch 838 Av Manual To get started finding Mcculloch 838 Av Manual, you are right to find our website which has a comprehensive collection of books online. Our library is the biggest of these that have literally hundreds of thousands of different products represented. You will also see that there are specific sites catered to different categories or niches related with Mcculloch 838 Av Manual So depending on what exactly you are searching, you will be able to choose ebook to suit your own need. Thank you for reading Mcculloch 838 Av Manual. Maybe you have knowledge that, people have search numerous times for their favorite readings like this Mcculloch 838 Av Manual, but end up in harmful downloads. Rather than reading a good book with a cup of coffee in the afternoon, instead they juggled with some harmful bugs inside their laptop. Mcculloch 838 Av Manual is available in our book collection an online access to it is set as public so you can download it instantly. Our digital library spans in multiple locations, allowing you to get the most less latency time to download any of our books like this one. Merely said, Mcculloch 838 Av Manual is universally compatible with any devices to read.

Find Mcculloch 838 Av Manual :

kawasaki manual tech

kawasaki factory service manuals

[kawasaki js750 1997 factory service repair manual](#)

kawasaki kx125 2006 factory service repair manual

[kawasaki kl 250 stockman service manual](#)

kawasaki js750 1993 factory service repair manual

kawasaki ke125 motorcycle service repair manual 1974 1980

[kawasaki 750 ss moto sky service manual](#)

kawasaki klx650 1993 service repair manual

[kawasaki service manual zx10r 2015](#)

[kawasaki ninja zx10r 2015 owners manual](#)

[kawasaki teryx 750 le owners manual](#)

[kawasaki klf 300 repair manual](#)

kawasaki jl650sc manual

[kawasaki 14 hp engine service manual](#)

Mcculloch 838 Av Manual :

indian minister walks back plans for higher taxes on diesel vehicles - Aug 22 2021

web known for the ruggedness reliability of ashok leyland make engines the company takes pride in having powered over 150 000 plus diesel generators over last ten years this

ashok leyland leypower generator eoenergy - Jul 21 2021

web sep 15 2023 autocar pro news desk 14 sep 2023 there is room for growth in terms of making money from auxiliary services related to the ev market read more ashok

ashok leyland signs mou with government of uttar pradesh - May 19 2021

ashok leyland company overview news forbes - Sep 03 2022

web jan 9 2020 chennai january 9 2020 ashok leyland flagship of hinduja group and abb power products and systems india limited have signed a memorandum of

ashok leyland electric lcv ashok leyland to roll out their electric - Feb 08 2023

web 4 hours ago ashokley 1 64 cnxauto 1 67 shares of ashok leyland ashokley rise as much as 2 1 to 183 75 rupees co says it signed a pact with

ashok leyland up govt sign mou to set up greenfield bus plant - Feb 25 2022

web india s first electric bus 74 years of manufacturing excellence ashok leyland has a well diversified portfolio across the automobile industry 4th largest manufacturer of buses in

ballard adani ashok leyland team up to develop h2 truck - Nov 24 2021

web oct 10 2022 ashok leyland and indian institute of technology madras iit madras researchers at national centre for combustion research and development nccrd

ashok leyland s switch to provide 300 electric buses to bengaluru - Aug 14 2023

web nov 16 2021 london nov 16 reuters switch mobility a british unit of commercial vehicle maker ashok leyland ltd asok ns said on tuesday it would provide 300

electric light commercial vehicles ashok leyland s ev arm - Mar 29 2022

web aug 18 2017 ashok leyland india s second largest truck maker has announced a partnership with startup sun mobility to develop a battery swapping system for electric

ashok leyland and iit madras researchers to develop hybrid - Nov 05 2022

web ashok leyland was founded by raghunandan saran on september 7 1948 and is headquartered in chennai india read less ashok leyland company stats as of

[ashok leyland india home page koi manzil door nahin](#) - Dec 26 2021

web jul 20 2023 last month ashok leyland announced plans to build autonomous electric trucks for indian ports it s also partnering with adani enterprises ltd and reliance

[hybrid ev ashok leyland and iit madras to develop hybrid evs](#) - Sep 22 2021

web ashok leyland is one of the largest indian automobile companies which is located in chennai and was founded in the year of 1948 leypower gives a fully integrated

ashok leyland indian truckmakers eye electric as one way to - Oct 24 2021

web 1 day ago india has in recent years promoted electric vehicle ev sales with tax incentives though less than 2 of india s nearly 4 million in car sales last fiscal year

ashok leyland aapki jeet hamari jeet - Jun 19 2021

ashok leyland showcases electric hydrogen fuel cell - Mar 09 2023

web feb 20 2022 bullish on the future of green mobility the hinduja group flagship ashok leyland plans to set up a new manufacturing facility in the country to roll out electric

[abb power grids and ashok leyland team up for greener electric](#) - Jul 01 2022

web ashok leyland holds 26 percent in ashok leyland defence systems aids the company designs and develops defence logistics and tactical vehicles defence

indian truck builder developing battery swapping system for - Jan 27 2022

web jan 19 2023 ballard power systems has signed an agreement to launch a pilot project to develop a hydrogen fuel cell electric truck for mining operations with adani and ashok

[ashok leyland to invest 1 000 cr in greenfield bus manufacturing](#) - Oct 04 2022

web 2 hours ago ashok leyland signs mou with up govt to set up integrated cv e bus plant under this partnership ashok leyland will predominantly concentrate on the production

ashok leyland abb join hands to launch electric buses with - Jul 13 2023

web sep 8 2023 ashok leyland ltd shares rose 1 02 after unveiling electric light commercial vehicles and hydrogen fuel cell electric bus the iev series offers a

[india s ashok leyland rises on pact to set up electric bus plant](#) - Dec 06 2022

web 1 hour ago ashok leyland which has a market share of 31 2 in the medium and heavy commercial vehicle segment is planning to expand its capabilities across the electric

ashok leyland signs mou with up govt to set up integrated cv - Aug 02 2022

web 4 hours ago truck maker ashok leyland on friday announced that it has inked a memorandum of understanding mou with the up government for setting up a new

[ashok leyland launches switch lev series shares up](#) - Jun 12 2023

web jul 28 2021 london july 28 reuters switch mobility a unit of indian commercial vehicle maker ashok leyland ltd asok ns plans production of a global electric

[ashok leyland s switch plans global electric van around 2024](#) - May 11 2023

web 3 hours ago nse the flagship of the hinduja group has signed a mou with the government of uttar pradesh for establishing a new integrated commercial vehicle bus

[ashok leyland surges 2 after inking pact with up government](#) - May 31 2022

web sep 7 2023 new delhi on the occasion of its 75th year of operations ashok leyland leading commercial vehicle manufacturer and the flagship of the hinduja group unveiled

[ashok leyland gains on signing mou with up govt to set up](#) - Apr 10 2023

web aug 29 2022 ashok leyland the flagship company of the hinduja group on monday said it is eyeing releasing its electric light commercial vehicle elcv within six months

ashok leyland plans to set up separate plant for evs - Jan 07 2023

web oct 13 2022 ashok leyland and iit madras researchers to develop hybrid electrical vehicles using turbine technology by pooja chandak 13th october 2022 0 112 a file

[ashok leyland wikipedia](#) - Apr 29 2022

web 4 hours ago listen to this article ashok leyland on friday signed a memorandum of understanding mou with the government of uttar pradesh to set up an integrated

[jolie mer de chine bubble bd comics et mangas](#) - Mar 31 2022

web le palmerston en mer de chine par 126 e et 31 n

jolie mer de chine jacques de loustal babelio - Jul 15 2023

web may 26 2002 résumé steward depuis sept ans sur le palmerston lucien gruchet sillonne les mers en faisant presque chaque nuit le même cauchemar sa cabine est envahie par des pangolins en escale à shanghai il consulte un

[jolie mer de chine coatalem loustal amazon de bücher](#) - Jul 03 2022

web jolie mer de chine coatalem loustal isbn 9782203356054 kostenloser versand für alle bücher mit versand und verkauf duch amazon

[jolie mer de chine bd web](#) - Apr 12 2023

web jolie mer de chine bd web 0 avis couverture relié langue fr pagination 62 numéro isbn 9782203356054 Éditeur

casterman scenario coatalem loustal dessin coatalem loustal dimension 30 3 cm x 22 7 cm x 1 cm poids 0 555 kg date de parution 18 05 2002 pas disponible prix bd web membre 14 06 prix de vente conseillé 14 50

jolie mer de chine 557 2002 comic ex libris lastdodo - Sep 05 2022

web jolie mer de chine 557 from 2002 buying selling or collecting manage your comic ex libris collection in the catalogue on lastdodo

amazon fr jolie mer de chine loustal coatalem livres - Aug 04 2022

web noté 5 retrouvez jolie mer de chine et des millions de livres en stock sur amazon fr achetez neuf ou d occasion

Çin mimarisi Çin de mutlaka görülmesi ve ziyaret edilmesi gereken - May 01 2022

web Çin in Önemli mimari eserleri anıtlar tapınaklar saraylar kaleler gökdelenler ve kuleler bu inceleme Çin de görmeniz ve ziyaret etmeniz gerekenleri açığa çıkaracak her anıt için bir fotoğraf koleksiyonunun yanı sıra en ilginç bilgileri de sunuyoruz en eksiksiz seyahat rehberi orangesmile com

jolie mer de chine librairie eyrolles - Feb 10 2023

web steward depuis sept ans sur le palmerston lucien gruchet sillonne les mers en faisant presque chaque nuit le même cauchemar sa cabine est envahie par des pangolins en escale à shanghai il consulte un célèbre psychanalyste en vain de retour

jolie mer de chine livre pas cher coatelem jean luc bd - Feb 27 2022

web le palmerston en mer de chine par 126 e et 31 n

jolie mer de chine bd avis informations images albums - Aug 16 2023

web loustal adapte en bd deux nouvelles de coatalem arturo caramajis et jolie mer de chine la rencontre entre ces deux auteurs confirmés semblait inéluctable tous deux grands voyageurs ils nous font partager ici leur passion pour les contrées lointaines et les aventures exotiques

jolie mer de chine bd informations cotes bedetheque - Jun 14 2023

web tout sur la série jolie mer de chine steward depuis sept ans sur le palmerston lucien gruchet sillonne les mers en faisant presque chaque nuit le même cauchemar sa cabine est envahie par des pangolins en escale à shanghai il consulte un

jolie appartement vue mer m diq güncel 2023 fiyatları booking com - Jan 29 2022

web Ücretsiz wi fi erişimi ve deniz manzarası sunan jolie appartement vue mer m diq te plage de m diq e sadece 500 metre mesafede konaklama olanağı ana içeriğe atla Şimdilik türkiye de bulunan müşterilerimiz bizimle maalesef sadece

jolie mer de chine bookys ebooks - Dec 08 2022

web aug 23 2023 téléchargement gratuit de bandes dessinées jolie mer de chine disponible en pdf epub et kindle lisez écrivez des critiques et bien plus encore

jolie mer de chine label emmaüs - Oct 06 2022

web jolie mer de chine steward depuis sept ans sur le palmerston lucien gruchet sillonne les mers en faisant presque chaque nuit le même cauchemar sa cabine est envahie par des pangolins en escale à shanghai il consulte un célèbre psychanalyste [c est joli la mer remastered youtube](#) - Dec 28 2021

web sep 12 2022 provided to youtube by sonosuite s l c est joli la mer remastered nana mouskouric est jolie la mer caribe soundreleased on 2022 09 08composer manos ha

jolie mer de chine cartonné jean luc coatelem loustal - May 13 2023

web fnac suivi de arturo caramajis jolie mer de chine jean luc coatelem loustal loustal coatalem casterman jolie mer de chine cartonné jean luc coatelem loustal loustal coatalem livre tous les livres à la fnac

jolie mer de chine hardcover 23 may 2002 amazon co uk - Jan 09 2023

web may 23 2002 buy jolie mer de chine by loustal coatalem loustal coatelem jean luc isbn 9782203356054 from amazon s book store everyday low prices and free delivery on eligible orders

jolie mer de chine hc 2002 chinese zee lastdodo - Jun 02 2022

web jolie mer de chine hc from 2002 buying selling or collecting manage your chinese zee collection in the catalogue on lastdodo

[jolie mer de chine hardcover may 23 2002 amazon com](#) - Nov 07 2022

web may 23 2002 jolie mer de chine loustal coatalem loustal coatelem jean luc on amazon com free shipping on qualifying offers jolie mer de chine

jolie mer de chine sceneario - Mar 11 2023

web jolie mer de chine cet album comprend deux histoires dessinées par loustal et librement adaptée de deux nouvelles de jean luc coatalem dans l acrobate le jeune gilbert est envoyé en mission sur le palmerston afin d y séduire la belle renée loubières et de la balancer par dessus bord

[lock picking basics mastering the essentials of lock picking](#) - Aug 15 2023

web lock picking basics mastering the essentials of lock picking ebook rustamli ulvi amazon co uk kindle store

lock picking basics mastering the essentials of l sql1 viewer co - Aug 03 2022

web wafer locks the basics of picking with emphasis on how to exploit weaknesses tips for beginners on how to get very good and very fast in picking locks advanced training quick entry

lock picking basics mastering the essentials of l download - Jul 02 2022

web learning how to pick locks the basic tools that you need for lock picking all about locks and how they work and the mechanisms of the different types of locks out there the different types of hooks you will use for unlocking locks how to

successfully get started with tension and single pin

lock picking basics mastering the essentials of l wrbb neu - Dec 07 2022

web lock picking basics mastering the essentials of l 1 lock picking basics mastering the essentials of l when people should go to the books stores search commencement by shop shelf by shelf it is in fact problematic lock picking basics mastering the essentials of l 2021 06 01 riley gill zombie apocalypse day 91 bloomsbury

lock picking basics mastering the essentials of l copy wp - Oct 05 2022

web lock picking basics mastering the essentials of l lock picking basics mastering the essentials of l 2 downloaded from wp publish com on 2023 02 07 by guest criteria which include symptoms and signs these impairments are established largely on reports of signs and symptoms of impairment and functional limitation psychological testing in the

lock picking basics mastering the essentials of l copy vod - Sep 04 2022

web 2 lock picking basics mastering the essentials of l 2020 02 23 lock picking mcgraw hill professional an updated guide to locksmithing filled with easy to follow instructions illustrations charts and checklists this updated locksmithing resource covers locking mechanisms used in today s residential automotive commercial and electronic

lock picking basics mastering the essentials of lock picking - Mar 10 2023

web jun 15 2023 lock picking basics mastering the essentials of lock picking english edition by ulvi rustamli edition by ulvi rustamli but end up in detrimental downloads by exploring the title publisher or authors of instruction you in in fact want you can reveal them swiftly along with guides you could relish the now is lock picking basics

best beginners lock pick sets to master lockpicking lp genius - Mar 30 2022

web lock picking essentials set one of the mistakes many people make is starting off too small oftentimes so called beginners sets don t have enough tools to really make it work or those tools aren t heavy duty and capable of withstanding the pressures needed to understand the amount of force needed to develop precision

lock picking basics mastering the essentials of lock picking - May 12 2023

web just like any other piece of hardware locks break if you don t understand how a lock works t lock picking basics mastering the essentials of lock picking by ulvi rustamli goodreads

lock picking basics mastering the essentials of lock picking - Jun 13 2023

web lock picking basics mastering the essentials of lock picking ebook rustamli ulvi amazon com au kindle store

lock picking basics mastering the essentials of l japanalert - Nov 06 2022

web lock picking basics mastering the essentials of l 3 3 and thanks to our author master locksmith michael buebl we have managed to publish a number of books about a highly interesting topic unlocking doors the intended reader is one who finds himself herself often locked out and must somehow open the door if it only

[lock picking basics mastering the essentials of 1 full pdf](#) - Jan 08 2023

web lock picking basics mastering the essentials of 1 3 3 series is best enjoyed in order reading order book 1 chasing truth book 2 hiding lies mystic battles player s guide elsevier steel bolt hacking is a lock picking book for those that want to learn the art of picking locks as a hobby with such annual events as defcon the annual hackers

[lock picking basics mastering the essentials of 1 pdf](#) - Apr 11 2023

web lock picking basics mastering the essentials of 1 1 lock picking basics mastering the essentials of 1 when somebody should go to the books stores search commencement by shop shelf by shelf it is essentially problematic this is why we offer the books compilations in this website it will entirely ease you to look guide lock picking

[lock picking basics mastering the essentials of lock picking](#) - Jul 14 2023

web dec 20 2015 buy lock picking basics mastering the essentials of lock picking read books reviews amazon com

[the top 5 lock picking ideas for beginners lockpickworld com](#) - Jan 28 2022

web jan 1 2019 4 pick guns a pick gun is an early essential as it gives you a very different approach to opening locks than spp and raking pick guns work by flicking a thin needle at the pins while you apply tension after several flicks of the needle you very frequently have set all the pins and the lock opens

mastering the lock pick locks like a pro - Apr 30 2022

web so whether you re a beginner looking to learn or a seasoned pro looking for a great set of tools you ll find it all here on mastering the lock not sure where to start download the free ebook here designed to get you going in less than an hour with no tools or prior experience required

amazon com customer reviews lock picking basics mastering - Jun 01 2022

web find helpful customer reviews and review ratings for lock picking basics mastering the essentials of lock picking at amazon com read honest and unbiased product reviews from our users

lockpickingbasicsma steringtheessentials of 1 - Dec 27 2021

web master class engineering human computer interaction and interactive systems hacking for beginners social engineering vox truesilver cyber warfare penetration testing gideon s corpse locksmithing lock picking lock opening ceh certified ethical hacker study guide locksmith and security professionals exam study guide the

[how to lock pick our free lock picking guide for all levels](#) - Feb 26 2022

web as part of our list of resources to help you understand and learn to pick locks with our tools we have a free updated illustrated guide for all of our customers if you have enjoyed our writing let us or a friend know it will certainly incentivise us to write more useful books download it here

[lock picking basics mastering the essentials of 1 pdf 2023](#) - Feb 09 2023

web the special lock sorts earlier than mastering how to pick out them while there are many locks i suppose we need to center of attention on the most popular the kind of locks you re probable to come across