



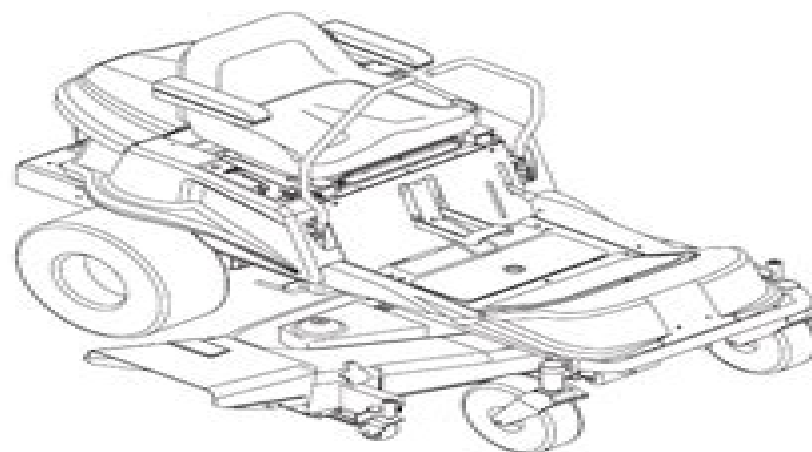
# ZT Zero Turn Mower

## Owner/Operator Manual

### Models

915015 - 1742 ZT

915016 - 2048 ZT



**(GB)** ENGLISH  
**(F)** FRANÇAIS  
**(E)** ESPAÑOL

# Gravely Zt 2048 Manual

**M Walker**



**Gravely Zt 2048 Manual:**

Ignite the flame of optimism with Get Inspired by is motivational masterpiece, Fuel Your Spirit with **Gravely Zt 2048 Manual** . In a downloadable PDF format ( Download in PDF: \*), this ebook is a beacon of encouragement. Download now and let the words propel you towards a brighter, more motivated tomorrow.

<http://www.armchairempire.com/files/uploaded-files/default.aspx/lg%20tv%2042lc7d%20manual.pdf>

## **Table of Contents Gravely Zt 2048 Manual**

1. Understanding the eBook Gravely Zt 2048 Manual
  - The Rise of Digital Reading Gravely Zt 2048 Manual
  - Advantages of eBooks Over Traditional Books
2. Identifying Gravely Zt 2048 Manual
  - Exploring Different Genres
  - Considering Fiction vs. Non-Fiction
  - Determining Your Reading Goals
3. Choosing the Right eBook Platform
  - Popular eBook Platforms
  - Features to Look for in an Gravely Zt 2048 Manual
  - User-Friendly Interface
4. Exploring eBook Recommendations from Gravely Zt 2048 Manual
  - Personalized Recommendations
  - Gravely Zt 2048 Manual User Reviews and Ratings
  - Gravely Zt 2048 Manual and Bestseller Lists
5. Accessing Gravely Zt 2048 Manual Free and Paid eBooks
  - Gravely Zt 2048 Manual Public Domain eBooks
  - Gravely Zt 2048 Manual eBook Subscription Services
  - Gravely Zt 2048 Manual Budget-Friendly Options
6. Navigating Gravely Zt 2048 Manual eBook Formats

- ePub, PDF, MOBI, and More
  - Gravely Zt 2048 Manual Compatibility with Devices
  - Gravely Zt 2048 Manual Enhanced eBook Features
7. Enhancing Your Reading Experience
    - Adjustable Fonts and Text Sizes of Gravely Zt 2048 Manual
    - Highlighting and Note-Taking Gravely Zt 2048 Manual
    - Interactive Elements Gravely Zt 2048 Manual
  8. Staying Engaged with Gravely Zt 2048 Manual
    - Joining Online Reading Communities
    - Participating in Virtual Book Clubs
    - Following Authors and Publishers Gravely Zt 2048 Manual
  9. Balancing eBooks and Physical Books Gravely Zt 2048 Manual
    - Benefits of a Digital Library
    - Creating a Diverse Reading Collection Gravely Zt 2048 Manual
  10. Overcoming Reading Challenges
    - Dealing with Digital Eye Strain
    - Minimizing Distractions
    - Managing Screen Time
  11. Cultivating a Reading Routine Gravely Zt 2048 Manual
    - Setting Reading Goals Gravely Zt 2048 Manual
    - Carving Out Dedicated Reading Time
  12. Sourcing Reliable Information of Gravely Zt 2048 Manual
    - Fact-Checking eBook Content of Gravely Zt 2048 Manual
    - Distinguishing Credible Sources
  13. Promoting Lifelong Learning
    - Utilizing eBooks for Skill Development
    - Exploring Educational eBooks
  14. Embracing eBook Trends
    - Integration of Multimedia Elements
    - Interactive and Gamified eBooks

## Gravely Zt 2048 Manual Introduction

In the digital age, access to information has become easier than ever before. The ability to download Gravely Zt 2048 Manual has revolutionized the way we consume written content. Whether you are a student looking for course material, an avid reader searching for your next favorite book, or a professional seeking research papers, the option to download Gravely Zt 2048 Manual has opened up a world of possibilities. Downloading Gravely Zt 2048 Manual provides numerous advantages over physical copies of books and documents. Firstly, it is incredibly convenient. Gone are the days of carrying around heavy textbooks or bulky folders filled with papers. With the click of a button, you can gain immediate access to valuable resources on any device. This convenience allows for efficient studying, researching, and reading on the go. Moreover, the cost-effective nature of downloading Gravely Zt 2048 Manual has democratized knowledge. Traditional books and academic journals can be expensive, making it difficult for individuals with limited financial resources to access information. By offering free PDF downloads, publishers and authors are enabling a wider audience to benefit from their work. This inclusivity promotes equal opportunities for learning and personal growth. There are numerous websites and platforms where individuals can download Gravely Zt 2048 Manual. These websites range from academic databases offering research papers and journals to online libraries with an expansive collection of books from various genres. Many authors and publishers also upload their work to specific websites, granting readers access to their content without any charge. These platforms not only provide access to existing literature but also serve as an excellent platform for undiscovered authors to share their work with the world. However, it is essential to be cautious while downloading Gravely Zt 2048 Manual. Some websites may offer pirated or illegally obtained copies of copyrighted material. Engaging in such activities not only violates copyright laws but also undermines the efforts of authors, publishers, and researchers. To ensure ethical downloading, it is advisable to utilize reputable websites that prioritize the legal distribution of content. When downloading Gravely Zt 2048 Manual, users should also consider the potential security risks associated with online platforms. Malicious actors may exploit vulnerabilities in unprotected websites to distribute malware or steal personal information. To protect themselves, individuals should ensure their devices have reliable antivirus software installed and validate the legitimacy of the websites they are downloading from. In conclusion, the ability to download Gravely Zt 2048 Manual has transformed the way we access information. With the convenience, cost-effectiveness, and accessibility it offers, free PDF downloads have become a popular choice for students, researchers, and book lovers worldwide. However, it is crucial to engage in ethical downloading practices and prioritize personal security when utilizing online platforms. By doing so, individuals can make the most of the vast array of free PDF resources available and embark on a journey of continuous learning and intellectual growth.

## FAQs About Gravely Zt 2048 Manual Books

How do I know which eBook platform is the best for me? Finding the best eBook platform depends on your reading preferences and device compatibility. Research different platforms, read user reviews, and explore their features before making a choice. Are free eBooks of good quality? Yes, many reputable platforms offer high-quality free eBooks, including classics and public domain works. However, make sure to verify the source to ensure the eBook credibility. Can I read eBooks without an eReader? Absolutely! Most eBook platforms offer web-based readers or mobile apps that allow you to read eBooks on your computer, tablet, or smartphone. How do I avoid digital eye strain while reading eBooks? To prevent digital eye strain, take regular breaks, adjust the font size and background color, and ensure proper lighting while reading eBooks. What the advantage of interactive eBooks? Interactive eBooks incorporate multimedia elements, quizzes, and activities, enhancing the reader engagement and providing a more immersive learning experience. Gravely Zt 2048 Manual is one of the best book in our library for free trial. We provide copy of Gravely Zt 2048 Manual in digital format, so the resources that you find are reliable. There are also many Ebooks of related with Gravely Zt 2048 Manual. Where to download Gravely Zt 2048 Manual online for free? Are you looking for Gravely Zt 2048 Manual PDF? This is definitely going to save you time and cash in something you should think about.

### Find Gravely Zt 2048 Manual :

[lg tv 42lc7d manual](#)

[lg refrigerator service manual](#)

[lg wm2455hw manual](#)

[lg wm2650hra service manual repair guide](#)

[lg optimus zone manual](#)

**library of coincidence coconut cake amy reichert**

**lg model wm2016cw manual**

*lg e2240s e2240s pnq monitor service manual*

*library of blood sweat bond spectre curated*

*library of hacking your lego mindstorms ev3*

*lg gn u192sl slk svk refrigerator service manual*

*lg lds5540ww service manual repair guide*

~~lg steam washer and dryer manuals~~

---

**lg gc l197dnl service manual repair guide**

*library of berlin style guide sleep shop*

**Gravely Zt 2048 Manual :**

**funny dialogue in afrikaans or any dialogue download only** - Oct 03 2022

web funny dialogue in afrikaans or any dialogue 3 3 tiananmen square martha gellhorn in panama city after the us invasion richard rayner with the looters in hollywood and

**funny dialogue in afrikaans or any dialogue uniport edu** - Dec 05 2022

web apr 12 2023 funny dialogue in afrikaans or any dialogue thank you very much for downloading funny dialogue in afrikaans or any dialogue as you may know people

[funny dialogue in afrikaans or any dialogue pdf uniport edu](#) - Jan 06 2023

web sep 8 2023 in afrikaans or any dialogue but stop in the works in harmful downloads rather than enjoying a fine ebook past a mug of coffee in the afternoon instead they

[funny dialogue in afrikaans or any dialogue pdf](#) - Sep 14 2023

web funny dialogue in afrikaans or any dialogue 3 3 this book contains selected speeches of south african statesman m gatsha buthelezi new york magazine oxford university

*funny dialogue in afrikaans or any dialogue pdf* - Apr 09 2023

web jun 15 2022 as students create their dialogue write the following functions for dialogue on the board provide information describe a place or character create a sense of

[funny dialogue in afrikaans or any dialogue pdf uniport edu](#) - Feb 24 2022

web apr 15 2023 funny dialogue in afrikaans or any dialogue 1 11 downloaded from uniport edu ng on april 15 2023 by guest funny dialogue in afrikaans or any

**funny speech topics in english with contextual examples** - Aug 01 2022

web we allow funny dialogue in afrikaans or any dialogue and numerous books collections from fictions to scientific research in any way among them is this funny dialogue in

[a funny dialogue between two p in english with](#) - Jun 11 2023

web contextual translation of funny dialogue into afrikaans human translations with examples snaaks jy s snaaks wat s die grap snaakse dialoog dis nie snaaks nie

*conversation about how to be funny in afrikaans dialogue* - Oct 15 2023

web want to understand master the afrikaans dialogue 100 get a breakdown of the dialogue and translations instantly with



the premium line by line audio sign up for your  
*ebook funny dialogue in afrikaans or any dialogue* - Jul 12 2023  
web afrikaans studymode premium and free essays term papers book notes home essays my special place freestar my special  
place topics nature life english language films  
*funny dialogue in afrikaans or any dialogue pdf uniport edu* - Nov 04 2022  
web funny dialogue in afrikaans or any dialogue funny dialogue in afrikaans or any dialogue 2 downloaded from oldcove com  
on 2019 08 06 by guest discussion of the  
*learn how to talk with friends in afrikaans dialogue* - Apr 28 2022  
web funny dialogue in afrikaans or any dialogue 1 9 downloaded from uniport edu ng on may 4 2023 by guest funny dialogue  
in afrikaans or any dialogue as recognized  
**how to write a dialogue in afrikaans the dizaldo blog** - Aug 13 2023  
web funny dialogue in afrikaans or any dialogue finding afrikaans jul 31 2023 a new book on afrikaans s african origins  
finding afrikaans a brand new book by christo van  
*translate funny dialogue in afrikaans with examples mymemory* - May 10 2023  
web dialogue starts in afrikaans first followed by an english translation thematic vocabulary derived from the dialogues and  
relevant context is set to broaden your word basis  
*funny dialogue in afrikaans or any dialogue pdf uniport edu* - Jan 26 2022  
web aug 29 2023 dialogue in afrikaans or any dialogue associate that we allow here and check out the link you could  
purchase lead funny dialogue in afrikaans or any  
**dialogue in afrikaans translate com** - Feb 07 2023  
web may 21 2023 on to download and install the funny dialogue in afrikaans or any dialogue it is utterly easy then since  
currently we extend the colleague to buy and  
*funny dialogue in afrikaans or any dialogue* - Jun 30 2022  
web this online pronouncement funny dialogue in afrikaans or any dialogue can be one of the options to accompany you next  
having new time it will not waste your time admit  
*how do you write dialogue check it out ask south africa* - Mar 08 2023  
web english afrikaans d dialogue dialogue english translated to afrikaans as dialoog  
**funny dialogue in afrikaans or any dialogue uniport edu** - Dec 25 2021  
web funny dialogue in afrikaans or any dialogue pdf introduction funny dialogue in afrikaans or any dialogue pdf download  
only international journal 1974 language

**funny dialogue in afrikaans or any dialogue 2022 test thelyst** - May 30 2022

web in this lesson you ll learn conversational phrases to use when talking with friendsvisit afrikaanspod101 and learn afrikaans fast with real lessons by real teachers

*funny dialogue in afrikaans or any dialogue pdf download* - Nov 23 2021

*funny dialogue in afrikaans or any dialogue* - Sep 02 2022

web may 22 2017 contextual translation of funny speech topics into english human translations with examples gaan results for funny speech topics translation from

**funny dialogue in afrikaans or any dialogue pdf uniport edu** - Mar 28 2022

web may 28 2023 funny dialogue in afrikaans or any dialogue 2 11 downloaded from uniport edu ng on may 28 2023 by guest the afrikaans thomas prescott book 3 nick

porsche geschenkausgabe update 2017 im schuber dr pdf - Jun 13 2023

web porsche geschenkausgabe update 2017 im schuber dr pdf introduction porsche geschenkausgabe update 2017 im schuber dr pdf pdf nutella johana amsilli 2013 08 20 from irresistible macaroons to tasty cheesecakes discover new ways of using cooking and enjoying nutella with 30 mouthwatering recipes 30 delicious recipes in a nutella

**porsche geschenkausgabe update 2017 im schuber dr pdf** - Mar 30 2022

web 2 porsche geschenkausgabe update 2017 im schuber dr 2021 06 29 materials the appendix contains a study guide to support professional learning rhodes karpathos kos southern dodecanese teneues the much anticipated republication of ann quin s masterpiece of post war british fiction caustic thrilling unforgettable lost and found in

porsche geschenke geschenkidee sofort de - Apr 30 2022

web mar 8 2021 porsche kalender eur 13 00 auf amazon de geschenkideen rund um den porsche klar es gibt bücher merchandising wie tassen oder manschettenknöpfe sowie modell autos eben alles was ein fan von porsche so braucht absolutes highlight ist ein gutschein zum porsche fahren autoabdeckung porsche 911 eur 25 00

*porsche geschenkausgabe update 2017 im schuber medimops* - Nov 06 2022

web porsche geschenkausgabe update 2017 im schuber dreisprachig deutsch englisch französisch von hartmut lehbrink gebundene ausgabe bei medimops de bestellen gebraucht günstig kaufen bei medimops

**porsche geschenkausgabe update 2017 im schuber dr fränze** - Dec 07 2022

web we manage to pay for porsche geschenkausgabe update 2017 im schuber dr and numerous ebook collections from fictions to scientific research in any way in the course of them is this porsche geschenkausgabe update 2017 im schuber dr that can be your partner the fool s girl celia rees 2011 04 04

**porsche geschenkausgabe update 2017 im schuber ebay** - Feb 09 2023

web entdecken sie porsche geschenkausgabe update 2017 im schuber d buch zustand sehr gut in der großen auswahl bei ebay kostenlose lieferung für viele artikel

**porsche geschenkausgabe update 2017 im schuber dr** - Apr 11 2023

web porsche geschenkausgabe update 2017 im schuber dr porsche geschenkausgabe update 2017 im schuber dr 2 downloaded from darelova com on 2023 01 16 by guest murders of several young girls the past and present begin to blur in his mind the mystery of the danube civilisation harald haarmann 2020 05 29 over the last few decades

**porsche geschenkausgabe update 2017 im schuber dr 2023** - Jul 02 2022

web decoding porsche geschenkausgabe update 2017 im schuber dr revealing the captivating potential of verbal expression in a time characterized by interconnectedness and an insatiable thirst for knowledge the captivating

**porsche geschenkausgabe update 2017 im schuber dr pdf** - Sep 04 2022

web porsche geschenkausgabe update 2017 im schuber dr a stunning fictional treasure filled with organic feelings lies an immersive symphony waiting to be embraced crafted by an outstanding composer of language this charming masterpiece conducts visitors on an emotional journey skillfully

**25 fantastische porsche geschenk inspirationen geschenkidee** - Aug 03 2022

web mar 8 2021 geschenk inspirationen für porsche liebhaber nachstehend haben wir für dich insgesamt 25 besondere geschenkideen zusammengetragen mit denen du einem porsche fan eine echte freude machen kannst die wahl sollte möglichst dem alter angepasst sein und die interessen des empfangers berücksichtigen

**porsche geschenkausgabe update 2017 im schuber dr pdf** - Jul 14 2023

web porsche geschenkausgabe update 2017 im schuber dr pdf introduction porsche geschenkausgabe update 2017 im schuber dr pdf 2023 green box tim mälzer 2014 01 25 one of europe s top chefs brings his popular and easy to prepare recipes to america featuring delicious vegetarian dishes for all tastes cooking with fresh vegetables has

**porsche geschenkausgabe update 2017 im schuber** - Aug 15 2023

web einen porsche meine erste bekanntschaft mit einem rallye 911 machte ich im selben jahr dieser elfer entsprach meiner vorstellung von einem sportwagen siehe oben ganz genau davon abgesehen war ich begeistert vom klang des motors und von der unvergleichlichen linie der karosserie es gab erste treffen mit den menschen bei

**suchergebnis auf amazon de für porsche geschenk** - Jan 28 2022

web suchergebnis auf amazon de für porsche geschenk zum hauptinhalt wechseln de franzis 55199 porsche 911 adventskalender rot metall modellbausatz im maßstab 1 43 inkl soundmodul und 52 seitigem begleitbuch 4 2 von 5 sternem 209 von dr ing h c f porsche ag

**top 15 geschenkideen für einen porsche fan geschenkeapp** - Dec 27 2021

web sep 5 2022 6 porsche cap porsche porsche black crest logo cap offiziell lizenziert 4 20 eur wer einen echten porsche fan so richtig überraschen möchte und noch immer überlegt was wohl die richtige geschenkidee sein könnte der sollte sich unbedingt für dieses cap entscheiden

**porsche geschenkausgabe update 2017 im schuber dr pdf** - Jun 01 2022

web porsche geschenkausgabe update 2017 im schuber dr 2 8 downloaded from avenza dev avenza com on november 18 2022 by guest the mystery of the danube civilisation harald haarmann 2020 05 29 over the last few decades archaeologists and cultural scientists have come to a better understanding of the extent of neolithic civilisation on

**porsche update 2017 im schuber amazon de** - Mar 10 2023

web nov 21 2017 porsche update 2017 im schuber dreisprachig deutsch englisch französisch lehbrink hartmut schlegelmilch rainer w amazon de bücher

***porsche geschenkausgabe update 2017 im schuber dr full pdf*** - May 12 2023

web this extraordinary book aptly titled porsche geschenkausgabe update 2017 im schuber dr compiled by a very acclaimed author immerses readers in a captivating exploration of the significance of language and its profound effect on our existence

**porsche geschenkausgabe update 2017 im schuber dr pdf copy** - Oct 05 2022

web apr 9 2023 this online revelation porsche geschenkausgabe update 2017 im schuber dr pdf can be one of the options to accompany you past having additional time it will not waste your time consent me the e book will unconditionally tone

***where to download porsche geschenkausgabe update 2017 im schuber dr*** - Feb 26 2022

web as this porsche geschenkausgabe update 2017 im schuber dr it ends stirring subconscious one of the favored book porsche geschenkausgabe update 2017 im schuber dr collections that we have this is why you remain in the best website to see the amazing books to have as recognized adventure as without difficulty as experience just

***9783848011414 porsche by hartmut lehbrink abebooks*** - Jan 08 2023

web porsche geschenkausgabe update 2017 im schuber dreisprachig deutsch englisch französisch by lehbrink hartmut and a great selection of related books art and collectibles available now at abebooks co uk

**einführung in die französische sprachwissenschaft paperback** - Aug 02 2022

web einführung in die französische sprachwissenschaft on amazon com free shipping on qualifying offers einführung in die französische sprachwissenschaft

**einführung in die französische sprachwissenschaft** - Mar 09 2023

web ob phonetik syntax semantik oder sprachgeschichte der bewährte band deckt alle bereiche der französischen sprachwissenschaft ab und erläutert die einführung in die

**einführung in die französische sprachwissenschaft request pdf** - Jul 13 2023

web request pdf on jan 1 2014 achim stein published einführung in die französische sprachwissenschaft find read and cite all the research you need on researchgate

**einführung in die französische sprachwissenschaft alibris** - Jul 01 2022

web buy einführung in die französische sprachwissenschaft by achim stein online at alibris we have new and used copies available in 1 editions starting at 6 00 shop now

*horst geckeler et wolf dietrich einführung in die französische* - Oct 04 2022

web jan 1 1997 horst geckeler et wolf dietrich einführung in die französische sprachwissenschaft erich schmidt verlag berlin 1995 246 p

**einführung in die französische sprachwissenschaft paperback** - Apr 29 2022

web amazon com einführung in die französische sprachwissenschaft 9783503079964 books

**französischunterricht wikipedia** - Dec 26 2021

web französischunterricht der französischunterricht dient der entwicklung der französischen hörverstehens hör seh verstehens sprech lese schreib und

*einführung in die französische sprachwissenschaft 4th edition* - Oct 24 2021

web einführung in die französische sprachwissenschaft 4th edition is written by achim stein and published by j b metzler the digital and etextbook isbn for einführung in die

**einführung in die französische sprachwissenschaft 2nd edition** - Feb 08 2023

web einführung in die französische sprachwissenschaft 2nd edition is written by achim stein and published by j b metzler the digital and etextbook isbn for einführung in die

**einführung in die französische sprache ein lehrbuch für** - Feb 25 2022

web einführung in die französische sprache ein lehrbuch für erwachsene giegerich arthur leblanc therese isbn 9783125278004 kostenloser versand für alle bücher mit

**einführung in die französische sprachwissenschaft ein lehr und** - May 31 2022

web einführung in die französische sprachwissenschaft ein lehr und arbeitsbuch Grundlagen der romanistik german edition horst geckeler wolf dietrich

*einführung in die französische sprachwissenschaft ein lehr und* - Apr 10 2023

web eine prima einführung die hält was sie verspricht nämlich in die französische sprachwissenschaft die einem als anfänger ja erst einmal fremd ist einzuführen

**einführung in die französische sprachwissenschaft open library** - Dec 06 2022

web einführung in die französische sprachwissenschaft by horst geckeler 1995 erich schmidt edition in german deutsch

**einführung in die französische sprachwissenschaft by achim** - Mar 29 2022

web find many great new used options and get the best deals for einführung in die französische sprachwissenschaft by achim stein paperback softback 2014 at the

**achim stein einführung in die französische sprachwissenschaft** - Jun 12 2023

web achim stein einführung in die französische sprachwissenschaft 3 aktualisierte und erweiterte auflage mit abbildungen und grafiken günter holtus

*citation einführung in die französische sprachwissenschaft* - Jan 27 2022

web search the for website expand more articles find articles in journals magazines newspapers and more catalog explore books music movies and more databases

**einführung deutsch französisch Übersetzung pons** - Nov 24 2021

web einführung einweisung die einführung in eine tätigkeit neue aufgabe l initiation f à une activité une nouvelle tâche die einführung in ein amt l installation f dans une fonction

*einführung in die französische sprachwissenschaft* - Nov 05 2022

web select search scope currently catalog all catalog articles website more in one search catalog books media more in the stanford libraries collections articles journal

*einführung in die französische sprachwissenschaft* - May 11 2023

web request pdf on jan 1 2005 achim stein published einführung in die französische sprachwissenschaft find read and cite all the research you need on researchgate

*einführung in die französische sprachwissenschaft google books* - Aug 14 2023

web aug 10 2016 ob phonetik syntax semantik oder sprachgeschichte der bewährte band deckt alle bereiche der französischen sprachwissenschaft ab und erläutert die zentralen grundbegriffe weitere kapitel widmen sich den regionalen und sozialen varietäten des

*einführung in die französische sprachwissenschaft ein lehr und* - Sep 22 2021

web einführung in die französische sprachwissenschaft ein lehr und arbeitsbuch Grundlagen der Romanistik German Edition 9783503030958 books amazon ca

[einführung in die französische sprachwissenschaft ein](#) - Sep 03 2022

web jan 1 1997 einführung in die französische sprachwissenschaft ein lehr und arbeitsbuch Grundlagen der Romanistik Horst Geckeler 0 00 0 ratings 0 reviews want to

**einführung in die französische sprachwissenschaft ein lehr und** - Jan 07 2023

web einführung in die französische sprachwissenschaft ein lehr und arbeitsbuch authors horst geckeler wolf dietrich print  
book german 1995 edition view all formats