

PRELIMINARIES

FM-910 is a 9"(23cm) diagonal CRT used reliable picture monitor for monochrome video program. Full solid-state with top quality integrated circuits and silicon semiconductor design assure high quality picture for a long time. Simple circuitry design and compact construction present this monitor as an economical device. The FM-910T external sync drives picture monitor with DC restoration is optionally available for higher class applications.

This manual contains initial set up procedures, operating instructions and service information for both types, FM-910 and FM-910T.

Please note that the FM-910 picture monitor is finely adjusted precision piece of equipment. To be assured of trouble-free operation, full performance capability and a long service life, we strongly recommend that you check these instructions completely before accepting to assemble, install or operate the monitor.

Although this picture monitor is a solid-state, module unit using mainly low-voltage circuitry at non-hazardous energy levels, power supply voltages present on certain parts of the interior. Such parts are not accessible in normal use, but while carrying out maintenance or repair, **EXTREME CARE** should be taken. Main voltage can be **LETHAL!**

It is strongly recommended not to save time unless really necessary, and in such cases, always follow the procedure given in these instructions, and use appropriate tools. And note that the inside adjustment or repair should only be made by a fully qualified technician.

CARE IN HANDLING

Careful handling of the monitor and accessories should be practiced at all times, avoiding unnecessary physical shocks and violent rough handling.

The monitor should always be set up in a well-ventilated area, and shielded from heat sources, high-powered lights, especially strong magnetic fields (such as power transformers), which may cause picture swing or distortion.

Excessively moisture-, gas- or salt-laden atmospheres should be avoided as much as possible, since circuitry components and connector contacts may be adversely affected.

Dust accumulation should be avoided, since many parts of the unit will be adversely affected in time, and the service-life will be shortened.

Regularly check the connection cables, which are prone to damage, especially in outdoor use. The cables should always be handled with care, kept free from sharp bends and kinks, and relieved from strain over the connectors. And checking of the connectors for full insertion and tightness is also recommended, especially where the same setup is used for a long time.

NAMES OF SECTIONS

- Carrying handle
- Upper case
- Front escutcheon
- Picture tube (CRT)
- Power switch
- Power lamp
- V. Hold (Driver control)
- H. Hold (Driver control)
- Brightness
- Contrast
- Video input connectors (bridged)
- Video termination switch (75-ohm ON/OFF)
- Blind plate for optional unit (For EXT sync/DC restore unit)
- EXT Sync/DC restore unit
- DC restoration switch (ON/OFF)
- Sync termination switch (75-ohm 24/OFF)
- Sync mode switch (Internal/External)
- Sync input connectors

SET UP & OPERATION

Position the picture monitor in the desired location and connect the power cord to an AC outlet. And make sure that the monitor is installed securely in a suitable condition.

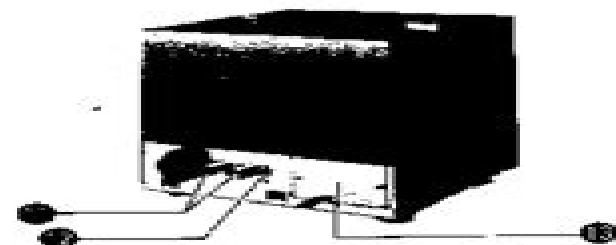
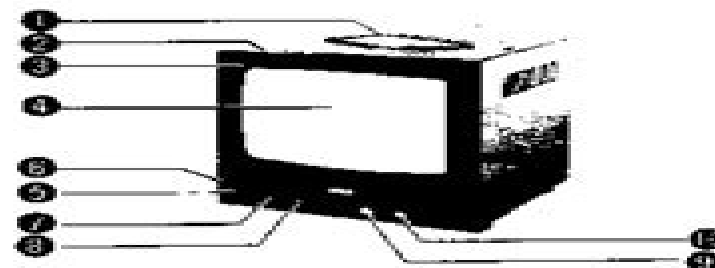
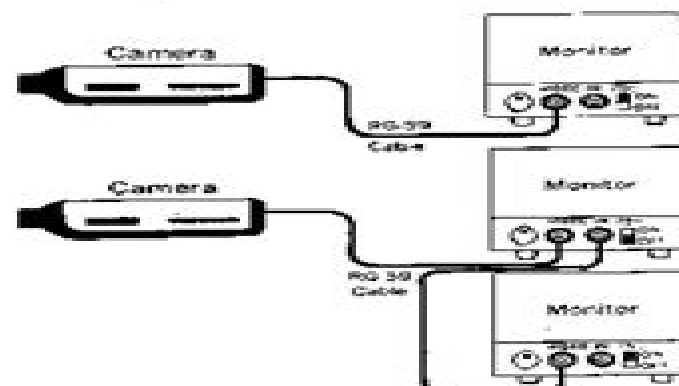
Make the coaxial-cable connection for video signal between the picture monitor and the signal source (video camera or VTR, etc.). And make certain that all connectors are properly and fully mated, and the locking rings are securely tightened.

Set the video termination switch to 75-ohm (if more than one monitor is to be used, see below).

If provided, set the sync (internal/external) switch to internal (if applicable).

After switching on the monitor and setting up the raster, adjust the brightness and contrast controls for the most pleasing picture.

BASIC CONNECTION



Ite Ikegami Pm910 Monitor Repair Manual

Ikegami Tsushinki



Ite Ikegami Pm910 Monitor Repair Manual:

If you ally dependence such a referred **Itc Ikegami Pm910 Monitor Repair Manual** books that will come up with the money for you worth, acquire the extremely best seller from us currently from several preferred authors. If you want to comical books, lots of novels, tale, jokes, and more fictions collections are after that launched, from best seller to one of the most current released.

You may not be perplexed to enjoy every books collections Itc Ikegami Pm910 Monitor Repair Manual that we will completely offer. It is not in the region of the costs. Its approximately what you obsession currently. This Itc Ikegami Pm910 Monitor Repair Manual, as one of the most vigorous sellers here will utterly be in the course of the best options to review.

http://www.armchairempire.com/About/virtual-library/fetch.php/Honda_Cm450_Custom_Manual.pdf

Table of Contents Itc Ikegami Pm910 Monitor Repair Manual

1. Understanding the eBook Itc Ikegami Pm910 Monitor Repair Manual
 - The Rise of Digital Reading Itc Ikegami Pm910 Monitor Repair Manual
 - Advantages of eBooks Over Traditional Books
2. Identifying Itc Ikegami Pm910 Monitor Repair Manual
 - Exploring Different Genres
 - Considering Fiction vs. Non-Fiction
 - Determining Your Reading Goals
3. Choosing the Right eBook Platform
 - Popular eBook Platforms
 - Features to Look for in an Itc Ikegami Pm910 Monitor Repair Manual
 - User-Friendly Interface
4. Exploring eBook Recommendations from Itc Ikegami Pm910 Monitor Repair Manual
 - Personalized Recommendations
 - Itc Ikegami Pm910 Monitor Repair Manual User Reviews and Ratings
 - Itc Ikegami Pm910 Monitor Repair Manual and Bestseller Lists

5. Accessing Itc Ikegami Pm910 Monitor Repair Manual Free and Paid eBooks
 - Itc Ikegami Pm910 Monitor Repair Manual Public Domain eBooks
 - Itc Ikegami Pm910 Monitor Repair Manual eBook Subscription Services
 - Itc Ikegami Pm910 Monitor Repair Manual Budget-Friendly Options
6. Navigating Itc Ikegami Pm910 Monitor Repair Manual eBook Formats
 - ePub, PDF, MOBI, and More
 - Itc Ikegami Pm910 Monitor Repair Manual Compatibility with Devices
 - Itc Ikegami Pm910 Monitor Repair Manual Enhanced eBook Features
7. Enhancing Your Reading Experience
 - Adjustable Fonts and Text Sizes of Itc Ikegami Pm910 Monitor Repair Manual
 - Highlighting and Note-Taking Itc Ikegami Pm910 Monitor Repair Manual
 - Interactive Elements Itc Ikegami Pm910 Monitor Repair Manual
8. Staying Engaged with Itc Ikegami Pm910 Monitor Repair Manual
 - Joining Online Reading Communities
 - Participating in Virtual Book Clubs
 - Following Authors and Publishers Itc Ikegami Pm910 Monitor Repair Manual
9. Balancing eBooks and Physical Books Itc Ikegami Pm910 Monitor Repair Manual
 - Benefits of a Digital Library
 - Creating a Diverse Reading Collection Itc Ikegami Pm910 Monitor Repair Manual
10. Overcoming Reading Challenges
 - Dealing with Digital Eye Strain
 - Minimizing Distractions
 - Managing Screen Time
11. Cultivating a Reading Routine Itc Ikegami Pm910 Monitor Repair Manual
 - Setting Reading Goals Itc Ikegami Pm910 Monitor Repair Manual
 - Carving Out Dedicated Reading Time
12. Sourcing Reliable Information of Itc Ikegami Pm910 Monitor Repair Manual
 - Fact-Checking eBook Content of Itc Ikegami Pm910 Monitor Repair Manual
 - Distinguishing Credible Sources
13. Promoting Lifelong Learning

- Utilizing eBooks for Skill Development
 - Exploring Educational eBooks
14. Embracing eBook Trends
- Integration of Multimedia Elements
 - Interactive and Gamified eBooks

Itc Ikegami Pm910 Monitor Repair Manual Introduction

In this digital age, the convenience of accessing information at our fingertips has become a necessity. Whether its research papers, eBooks, or user manuals, PDF files have become the preferred format for sharing and reading documents. However, the cost associated with purchasing PDF files can sometimes be a barrier for many individuals and organizations. Thankfully, there are numerous websites and platforms that allow users to download free PDF files legally. In this article, we will explore some of the best platforms to download free PDFs. One of the most popular platforms to download free PDF files is Project Gutenberg. This online library offers over 60,000 free eBooks that are in the public domain. From classic literature to historical documents, Project Gutenberg provides a wide range of PDF files that can be downloaded and enjoyed on various devices. The website is user-friendly and allows users to search for specific titles or browse through different categories. Another reliable platform for downloading Itc Ikegami Pm910 Monitor Repair Manual free PDF files is Open Library. With its vast collection of over 1 million eBooks, Open Library has something for every reader. The website offers a seamless experience by providing options to borrow or download PDF files. Users simply need to create a free account to access this treasure trove of knowledge. Open Library also allows users to contribute by uploading and sharing their own PDF files, making it a collaborative platform for book enthusiasts. For those interested in academic resources, there are websites dedicated to providing free PDFs of research papers and scientific articles. One such website is Academia.edu, which allows researchers and scholars to share their work with a global audience. Users can download PDF files of research papers, theses, and dissertations covering a wide range of subjects. Academia.edu also provides a platform for discussions and networking within the academic community. When it comes to downloading Itc Ikegami Pm910 Monitor Repair Manual free PDF files of magazines, brochures, and catalogs, Issuu is a popular choice. This digital publishing platform hosts a vast collection of publications from around the world. Users can search for specific titles or explore various categories and genres. Issuu offers a seamless reading experience with its user-friendly interface and allows users to download PDF files for offline reading. Apart from dedicated platforms, search engines also play a crucial role in finding free PDF files. Google, for instance, has an advanced search feature that allows users to filter results by file type. By specifying the file type as "PDF," users can find websites that offer free PDF downloads on a specific topic. While downloading Itc Ikegami Pm910 Monitor

Repair Manual free PDF files is convenient, its important to note that copyright laws must be respected. Always ensure that the PDF files you download are legally available for free. Many authors and publishers voluntarily provide free PDF versions of their work, but its essential to be cautious and verify the authenticity of the source before downloading Itc Ikegami Pm910 Monitor Repair Manual. In conclusion, the internet offers numerous platforms and websites that allow users to download free PDF files legally. Whether its classic literature, research papers, or magazines, there is something for everyone. The platforms mentioned in this article, such as Project Gutenberg, Open Library, Academia.edu, and Issuu, provide access to a vast collection of PDF files. However, users should always be cautious and verify the legality of the source before downloading Itc Ikegami Pm910 Monitor Repair Manual any PDF files. With these platforms, the world of PDF downloads is just a click away.

FAQs About Itc Ikegami Pm910 Monitor Repair Manual Books

What is a Itc Ikegami Pm910 Monitor Repair Manual PDF? A PDF (Portable Document Format) is a file format developed by Adobe that preserves the layout and formatting of a document, regardless of the software, hardware, or operating system used to view or print it. **How do I create a Itc Ikegami Pm910 Monitor Repair Manual PDF?** There are several ways to create a PDF: Use software like Adobe Acrobat, Microsoft Word, or Google Docs, which often have built-in PDF creation tools. Print to PDF: Many applications and operating systems have a "Print to PDF" option that allows you to save a document as a PDF file instead of printing it on paper. Online converters: There are various online tools that can convert different file types to PDF. **How do I edit a Itc Ikegami Pm910 Monitor Repair Manual PDF?** Editing a PDF can be done with software like Adobe Acrobat, which allows direct editing of text, images, and other elements within the PDF. Some free tools, like PDFescape or Smallpdf, also offer basic editing capabilities. **How do I convert a Itc Ikegami Pm910 Monitor Repair Manual PDF to another file format?** There are multiple ways to convert a PDF to another format: Use online converters like Smallpdf, Zamzar, or Adobe Acrobats export feature to convert PDFs to formats like Word, Excel, JPEG, etc. Software like Adobe Acrobat, Microsoft Word, or other PDF editors may have options to export or save PDFs in different formats. **How do I password-protect a Itc Ikegami Pm910 Monitor Repair Manual PDF?** Most PDF editing software allows you to add password protection. In Adobe Acrobat, for instance, you can go to "File" -> "Properties" -> "Security" to set a password to restrict access or editing capabilities. Are there any free alternatives to Adobe Acrobat for working with PDFs? Yes, there are many free alternatives for working with PDFs, such as: LibreOffice: Offers PDF editing features. PDFsam: Allows splitting, merging, and editing PDFs. Foxit Reader: Provides basic PDF viewing and editing capabilities. How do I compress a PDF file? You can use online tools like Smallpdf, ILovePDF, or desktop software like Adobe

Acrobat to compress PDF files without significant quality loss. Compression reduces the file size, making it easier to share and download. Can I fill out forms in a PDF file? Yes, most PDF viewers/editors like Adobe Acrobat, Preview (on Mac), or various online tools allow you to fill out forms in PDF files by selecting text fields and entering information. Are there any restrictions when working with PDFs? Some PDFs might have restrictions set by their creator, such as password protection, editing restrictions, or print restrictions. Breaking these restrictions might require specific software or tools, which may or may not be legal depending on the circumstances and local laws.

Find Itc Ikegami Pm910 Monitor Repair Manual :

[honda cm450 custom manual](#)

honda gx 190 overhaul manual

honda e storm service manual

~~[honda crf 70 manual](#)~~

honda gx160 ohv manual

[honda fourtrax 300 1995 2000 service repair manual](#)

honda crf 450 user manual

honda crv collision repair manual

honda goldwing motorcycle original service manuals

honda cr 125 haynes manual

honda gx 160 tech manual

honda gxh50 manual

[honda foreman 500 es owners manual](#)

[honda goldwing motorcycle service manual](#)

honda gxv160 workshop manual

Itc Ikegami Pm910 Monitor Repair Manual :

hp s unified wired wireless networks offer complete networking byod - Nov 30 2022

web at the same time it would create incremental revenue opportunities for partners hp s development delivers unified wired and wireless management and switching platforms that create a single network for wired and wireless connectivity hp expects that by 2016 two thirds of the workforce will own smartphones making about 40 percent of the workforce

hpe press hp unified wired wireless networks and byod - Oct 10 2023

web this book helps you prepare for the implementing hp unified wired wireless networks and byod exam hp2 z33 this elective exam is for candidates who want to acquire the hp ase flexnetwork architect v2 or the hp ase flexnetwork integrator v1 certification topics include wireless standards wireless security guest access

hp pcs creating a wireless home network windows 10 8 - Jun 25 2022

web make sure that network discovery and file sharing is turned on in the windows search box search for and open view network computers and devices the network window opens and displays computers and devices detected on the network double click the name of the computer or device you want to access if prompted enter the username and password

wireless network wlan infographic hp - Jan 01 2023

web address your wireless network challenges uncover a wired and wireless strategy to maintain productivity security and byod hpe networking communication hpe security vulnerability homepage 91 80 521 61214 contact a sales hp complete unified byod solution 2 35 min

bring your own device byod hp hewlett packard enterprise - Aug 08 2023

web jul 13 2023 hp has launched the industry s only complete unified solution that supports growing bring your own device byod initiatives it delivers unified byod essentials simple and secure automated device onboarding of users unified wired and wireless network with the scalability to meet the increasing number of personal devices software

hp expertone hewlett packard enterprise - Jun 06 2023

web this study guide helps you prepare for the implementing hp unified wired wireless networks and byod exam hp2 z33 this elective exam is for candidates who want to acquire the hp ase flexnetwork architect v2 certification or the hp ase flexnetwork integrator v1 certification

hp wifi driver download install update for windows 10 11 - May 25 2022

web jul 24 2023 solution 1 download the hp wifi drivers from the official website solution 2 update the driver using bit driver updater automatically recommended solution 3 use the device manager to update drivers method 4 run windows update to install the latest hp wifi driver updates frequently asked questions hp laptops wifi drivers

hp unified wired and wireless access hp techlibrary hpe com - Mar 03 2023

web hp unified wired and wireless access it s time to make working anytime anywhere easier for customers today mobility has transformed how and when work is done you need the

byod bring your own device wireless lan hp - Apr 04 2023

web unified wired and wireless access single pane of glass management with hp flexnetworksolutions hp intelligent management center imc provides monitoring and security for wired and wireless networks imc can also manage multivendor

environments up to 6 000 devices from more than 200 vendors

bring your own device byod hp hewlett packard enterprise - May 05 2023

web unify access to wired and wireless hp s converged campus tools offer a secure and seamless byod experience converged campus user access easily manage user access with secure onboarding and policy enforcement creating a better user experience meet byod challenges hp intelligent management center for byod solutions user access

bring your own device byod hp - Jul 07 2023

web the hp byod solution is a robust simple and secure way for your enterprise to allow users to access your network as well as applications from their own laptop tablet or smartphone unified wired and wireless networks hp 2920 switch series layer 2 3 4 modular switches offering advanced integrated services product details

hp delivers industry s only complete unified byod networking - Oct 30 2022

web apr 26 2013 the new solutions and services introduced at the hp global partner conference include the industry s only 1 complete solution that supports growing byod initiatives this solution delivers unified wired and wireless management and switching platforms that create a single network for wired and wireless connectivity

hewlett packard enterprise networking wikipedia - Aug 28 2022

web the hp 870 unified wired wlan appliance is designed to help administrators bridge the gap between wired and wireless networks according to published reports the appliance simplifies management and access and supports up to 30 000 communication endpoints the hp 850 unified wired wlan appliance supports up to 10 000 endpoints

hp unified wired wireless networks and byod hp2 z33 free - Sep 28 2022

web get hp2 z33 hp unified wired wireless networks and byod by hp free exam questions to prepare for your hp certification the exam question base is updated hourly instant online access question no 5 a business deploys a wireless network that includes an hp 10500 7500 module and 120 access points aps they plan to increase the

hp unveils unified byod networking solution - Feb 02 2023

web hp has announced new unified wired and wireless solutions supporting bring your own device byod initiatives this solution delivers unified wired and wireless management and switching platforms that create a single network for wired and wireless connectivity

realtek wlan bluetooth driver for microsoft windows 10 hp - Mar 23 2022

web oct 5 2018 use product model name examples laserjet pro p1102 deskjet 2130 for hp products a product number examples lg534ua for samsung print products enter the m c or model code found on the product label examples sl m2020w xaa include keywords along with product name examples deskjet 2130 paper jam elitebook

wireless erc - Jul 27 2022

web the new hp unified wired wireless networks and byod course provides hp partners with the skills and knowledge to design and implement a byod solution using intelligent management center imc software and the hp unified wired and wireless controller

[how to download hp network driver for windows 11 10 8 7](#) - Apr 23 2022

web aug 8 2023 method 1 download hp network adapter driver windows 10 via hp s website 1 visit the official hp website 2 click the support tab select software drivers 3 select the product for which you are updating

hp delivers industry s only complete unified byod networking - Sep 09 2023

web palo alto calif feb 19 2013 hp today announced new unified wired and wireless solutions that deliver a simple scalable and secure network supporting bring your own device byod initiatives while creating incremental revenue opportunities for partners hp com go newsroom

[hp hp2 z33 study practice exam dumps 2023](#) - Feb 19 2022

web pre order your hp hp unified wired wireless networks and byod hp2 z33 you can pre order your hp hp unified wired wireless networks and byod hp2 z33 exam to us and we will make it available in 5 days to 2 weeks maximum dumpsarena com team will arrange all real exam questions only from real exam within next 5 days to 2 weeks

en route vers le delf scolaire et junior b1 eleve - May 11 2023

web sinopsis de en route vers le delf scolaire et junior b1 eleve cd para una preparaci3n f3cil y eficaz a las pruebas del delf scolaire et junior en route vers

en route vers le delf scolaire et junior pour adolescents a1 - Jan 27 2022

web en route vers le delf scolaire et junior pour adolescents a1 34 91 524 94 21 lieder libro cd a1 b1 zwischendurch mal projekte a1 b1 zwischendurch mal spiele

en route vers le delf scolaire et junior b1 livre de l 3lève per le - Jan 07 2023

web en route vers le delf scolaire et junior b1 livre de l 3lève per le scuole superiori con cd audio tout pour r3ussir l examen sig3 jean paul liria philippe amazon it libri

en route vers le delf scolaire et junior 3 guide p3dagogique - Feb 08 2023

web en route vers le delf scolaire et junior b1 libro del alumno cd en route vers le delf scolaire et junior 3 livre de l 3lève cd fle texto frances 9788484437635

route delf scolaire junior iberlibro - Mar 29 2022

web en route vers le delf b1 scolaire et junior b1 guide p3dagogique buch und cd rom de autorenteam y una gran selecci3n de libros arte y art3culos de colecci3n

en route vers le delf b1 scolaire et junior - Nov 05 2022

web en route vers le delf b1 scolaire et junior profesor cd guide du professeur cd fle texto frances liria philippe jean paul amazon com tr

en route vers le delf scolaire et junior 1 livre de l élève cd - Oct 04 2022

web en route vers le delf scolaire et junior 1 livre de l élève cd en route vers le delf scolaire et junior 1 livre de l élève cd fle texto frances 9788484436676

en route vers le delf b1 scolaire et junior emdl - Aug 14 2023

web en route vers le delf scolaire et junior b1 va au delà de la préparation aux examens la méthode propose une vraie progression thématique pour apprendre ou réviser le lexique

en route vers le delf scolaire et junior 2 guide pédagogique - Feb 25 2022

web en route vers le delf scolaire et junior 2 guide pédagogique cdrom en route vers le delf scolaire et junior 2 guide pédagogique cdrom fle texto frances liria

en route vers le delf b1 scolaire et junior b1 c cd - Aug 02 2022

web en route vers le delf b1 scolaire et junior b1 c cd godard emmanuel amazon com mx libros

en route vers delf b1 scolaire et junior eleve - Mar 09 2023

web retrouvez en route vers delf b1 scolaire et junior eleve et des millions de livres en stock sur amazon fr achetez neuf ou d occasion amazon fr en route

en route vers le delf b1 scolaire et junior guide du professeur - Apr 29 2022

web en route vers le delf b1 scolaire et junior est une collection spécialement conçue pour les adolescents qui se préparent aux examens du delf scolaire et du delf

en route vers le delf b1 scolaire et junior amazon com be - Jul 01 2022

web en route vers le delf b1 scolaire et junior guide du professeur guide du professeur cd collectif amazon com be livres

en route vers le delf a1 scolaire et junior libro - Nov 24 2021

web pour une préparation facile et efficace aux épreuves du delf scolaire et junior en route vers le delf scolaire et junior a1 va au delà de la préparation aux examens la

en route vers le delf scolaire et junior livre cd b1 alibris - Dec 26 2021

web buy en route vers le delf scolaire et junior livre cd b1 online at alibris we have new and used copies available in 0 edition starting at shop now

en route vers le delf scolaire et junior a1 livre de l élève - Oct 24 2021

web descripción progresión didáctica por temáticas para trabajar el léxico y la gramática necesarios para el examen delf incluye consejos y estrategias modelos de

en route vers le delf b1 scolaire et junior guide du professeur - Sep 03 2022

web en route vers le delf b1 scolaire et junior est une collection spécialement conçue pour les adolescents qui se préparent aux examens du delf scolaire et du delf

en route vers le delf b1 scolaire et junior cdrom - Apr 10 2023

web un complément indispensable pour utiliser en route vers le delf b1 scolaire et junior des modèles et des conseils pratiques de correction et d'évaluation des grilles d

en route vers le delf scolaire et junior b1 libro del alumno - Jun 12 2023

web en route vers le delf scolaire et junior b1 libro del alumno cd en route vers le delf scolaire et junior 3 livre de l'élève cd fle texto frances 9788484437635

ressources pour se préparer aux diplômes delf et dalf - Jul 13 2023

web en route vers le delf b1 scolaire et junior en route vers le delf b1 scolaire et junior guide du professeur editions maison des langues 2011 56 p 1 cd audio

en route vers le delf scolaire et junior livre amazon co uk - Dec 06 2022

web buy en route vers le delf scolaire et junior livre cd b1 01 by collectif hans peter isbn 9788484437635 from amazon s book store everyday low prices and free

en route vers le delf b1 scolaire et junior e leclerc - May 31 2022

web apr 6 2011 en route vers le delf scolaire et junior est une collection spécialement conçue pour les adolescents qui se préparent aux examens du delf scolaire et du

mujeres compactos facundo d onofrio - Aug 25 2022

web mujeres compactos recognizing the showing off ways to acquire this books mujeres compactos is additionally useful you have remained in right site to begin getting this info get the mujeres compactos associate that we manage to pay for here and check out the link you could purchase guide mujeres compactos or acquire it as soon as feasible

mujeres pequenas search xvideos com - Apr 20 2022

web mujeres vintage 3 min 3 min clavasquez 360p dominating femmes 5 min 5 min 360p Женщины x 2003 76 min 76 min nceipr 360p para mujeres 6 sec 6 sec grrrrr993 360p solo female 45 sec 45 sec ahsatan97420 720p vintage women of the world 10 min 10 min dark lantern entertainment 6 5k views

descargar pdf mujeres compactos de charles bukowski - May 02 2023

web may 3 2021 download mujeres compactos de charles bukowski pdf epub mobi gratis mujeres compactos pdf en linea lee ahora descargar mujeres compactos de charles bukowski descripción críticas recomendación de librosyliteratura es escrita por ana segarra después de haber leído algún libro que otro sobre la vida de henri

mujeres compactos 2023 ai classmonitor - Sep 25 2022

web mujeres compactos downloaded from ai classmonitor com by guest walker brenden tratado elemental completo de las enfermedades de mujeres universidad iberoamericana cómo hacer feliz a una mujer embarazada proporciona o respuestas fáciles de comprender a por qué se producen ciertos

mujeres compactos 50 fahrenheit 451 - Jan 30 2023

web charles bukowski anagrama en mujeres una de las más aclamadas novelas de bukowski su alter ego henry chinaski el viejo indecente un perdedor nato se encuentra a los cincuenta años con una creciente reputación literaria algún dinero en el banco y mujeres montañas de mujeres se le ofrecen en los recitales de poesía le escriben cartas

mujeres compactos 50 tapa blanda 15 mayo 2019 amazon es - Jun 03 2023

web selecciona el departamento que quieras buscar

mujeres 95 compactos bukowski charles garcía - Oct 07 2023

web nuevo 12 25 precio recomendado 12 90 ahorra 0 65 5 los precios incluyen iva devoluciones gratis entrega gratis el jueves 12 de octubre en tu primer pedido ver detalles entrega más rápida mañana 10 de octubre haz el pedido en 18 horas 30 mins ver detalles elige tu dirección en stock cantidad añadir a la cesta comprar ya pago

apuntes de un vendedor de mujeres compactos band 673 - Oct 27 2022

web arama yapmak istediginiz kategoriye secin

descargar mujeres compactos charles bukowski studio pdf - May 22 2022

web jan 12 2018 easy you simply klick mujeres compactos arrange load connection on this article or even you does obligated to the costs nothing submission ways after the free registration you will be able to download the book in 4 format pdf formatted 8 5 x all pages epub reformatted especially for book readers mobi for kindle which was

mujeres compactos anagrama spanish edition amazon com - Sep 06 2023

web apr 18 2006 en mujeres una de las más aclamadas novelas de bukowski su alter ego henry chinaski el viejo indecente un perdedor nato se encuentra a los cincuenta años con una creciente reputación literaria algún dinero en el

descarga mujeres compactos de charles bukowski libro pdf - Apr 01 2023

web jan 22 2021 descargar ebook mujeres compactos de charles bukowski pdf epub mobi gratis comprar ebook mujeres compactos lee ahora download mujeres compactos de charles bukowski descripción críticas recomendación de librosyliteratura es escrita por ana segarra después de haber leído algún libro que otro

mujeres pequenas search xnxx com - Mar 20 2022

web mujeres vintage 778 8k 100 3min 720p dominating femmes 70 1k 97 5min 360p que les guste 5 8k 79 6sec 360p milf solo masturbation 10 4k 82 45sec 360p dark lantern entertainment retro global beauty 295 81 10min 720p culi tanti culi 7 4k

81 24sec 360p scene from the movie women on the run 1993

[descargar pdf mujeres compactos 50 charles bukowski gratis](#) - Jul 04 2023

web título mujeres compactos 50 clasificación 4 6 de 5 estrellas 275 valoraciones isbn 10 8433902369 isbn 13

9788433902368 idioma español formato ebook pdf epub kindle audio html y mobi dispositivos compatibles android ios pc y amazon kindle

mujeres compactos 9788433920997 bukowski - Dec 29 2022

web mujeres compactos 9788433920997 hay en mí algo descontrolado pienso demasiado en el sexo cuando veo a una mujer la imagino siempre en la cama conmigo es una manera interesante de matar el tiempo en los aeropuertos en mujeres una de las más aclamadas novelas de bukowski su alter ego henry chinaski el viejo indecente

leer en línea mujeres compactos de charles bukowski libro - Nov 27 2022

web jan 4 2021 download mujeres compactos de charles bukowski pdf epub mobi gratis mujeres compactos pdf en línea lee ahora descargar mujeres compactos de charles bukowski descripción críticas recomendación de libros literatura es escrita por ana segarra después de haber leído algún libro que otro sobre la vida de henri

mujeres compactos stage gapinc - Jun 22 2022

web mujeres compactos 1 mujeres compactos se busca una mujer la mujer que se estrellaba contra las puertas lev tratado elemental completo de las enfermedades de mujeres de mujeres con hombres women with men las mujeres de la guerra tratado de pediatría memoria conocimiento y utopía anuario de la sociedad mexicana de historia

mujeres bukowski mercadolibre - Jul 24 2022

web libro mujeres compactos anagrama bukowski charles 55 919 en 12x 10 512 envío gratis disponible 15 días después de tu compra libro se busca una mujer spanish edition 46 699 en 12x 8 779 envío gratis disponible 19 días después de tu compra charles bukowski chinaski cartero factotum mujeres anagrama 18 500 en

mujeres bukowski charles 978 84 339 2099 7 editorial anagrama - Feb 28 2023

web charles bukowski nÚm de páginas 344 colección compactos hay en mí algo descontrolado pienso demasiado en el sexo cuando veo a una mujer la imagino siempre en la cama conmigo es una manera interesante de matar el tiempo en los aeropuertos en mujeres una de las más aclamadas novelas de bukowski su alter ego henry

[download mujeres compactos de charles bukowski ebooks](#) - Aug 05 2023

web feb 14 2021 descargar mujeres compactos de charles bukowski libros gratis en epub mujeres compactos descargar libro lee ahora download mujeres compactos de charles bukowski descripción críticas recomendación de libros literatura es escrita por ana segarra después de haber leído algún libro que otro

[compact search xnxx com](#) - Feb 16 2022

web getting paid for her meal 2 5k 79 25sec 480p xnxx com compact search free sex videos