

ELECTRICAL GENERAL INFORMATION

General Information

Reading Electrical Schematics

The schematic is made up of individual circuits laid out in a sequence of related functions. It is formatted with all power wires (A) across the top and all ground wires (B) across the bottom. Current flow is generally from top to bottom through each circuit and component. All components are shown in the off position. The diagram does not list connector (C) information unless needed to avoid confusion. If the connector is shown, the number next to it is the terminal pin location (D) in the connector.

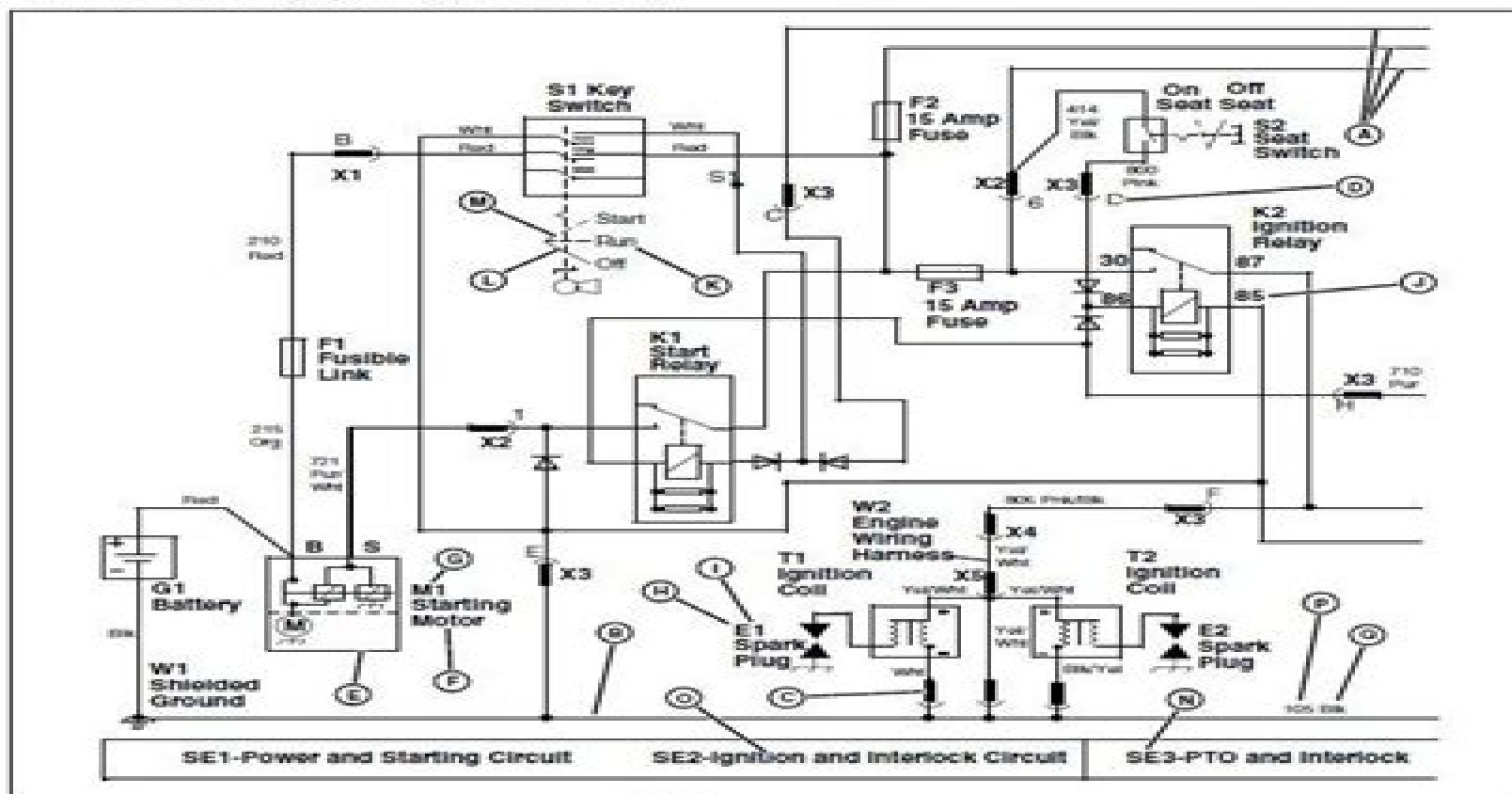
Each component is shown by a symbol (E), its name (F), and an identification code (G). The identification code contains a device identifying letter (H) and number (I).

The identifying letter is always the same for a specific component, but the identifying numbers are numbered consecutively from upper left to lower right. The terminal designation (J) is placed directly outside the symbol next to the connecting wire path. Switch positions (K) are also placed directly outside the symbol. The solid line (L) shows the position the switch is currently in and dash lines (M) represent other switch positions.

Each circuit is identified at the bottom of the drawing by a section number (N) and section name (O).

The circuit number (P) and wire color (Q) of the wires are shown directly next to the wire path.

The same component name and identification code are used consistently on all diagrams in this section. Components can be easily cross-referenced.



Gt 245 Service Manual

D Siedentop



Gt 245 Service Manual:

Service Manual for Radio Set SCR-682-A, 1944 *Service Manual for*, 1944 **Automatic Record Changer Service Manual Including Latest "long Play" (LP) Changers, Wire and Tape Recorders** Howard W. Sams & Co, 1956

Popular Science, 1978-12 Popular Science gives our readers the information and tools to improve their technology and their world The core belief that Popular Science and our readers share The future is going to be better and science and technology are the driving forces that will help make it better **Popular Mechanics**, 1980-09 Popular Mechanics inspires instructs and influences readers to help them master the modern world Whether it s practical DIY home improvement tips gadgets and digital technology information on the newest cars or the latest breakthroughs in science PM is the ultimate guide to our high tech lifestyle **Popular Mechanics**, 1979-09 Popular Mechanics inspires instructs and influences readers to help them master the modern world Whether it s practical DIY home improvement tips gadgets and digital technology information on the newest cars or the latest breakthroughs in science PM is the ultimate guide to our high tech lifestyle *Popular Mechanics*, 1981-10 Popular Mechanics inspires instructs and influences readers to help them master the modern world Whether it s practical DIY home improvement tips gadgets and digital technology information on the newest cars or the latest breakthroughs in science PM is the ultimate guide to our high tech lifestyle **Popular Science**, 1980-03 Popular Science gives our readers the information and tools to improve their technology and their world The core belief that Popular Science and our readers share The future is going to be better and science and technology are the driving forces that will help make it better **Popular Mechanics**, 1980-12 Popular Mechanics inspires instructs and influences readers to help them master the modern world Whether it s practical DIY home improvement tips gadgets and digital technology information on the newest cars or the latest breakthroughs in science PM is the ultimate guide to our high tech lifestyle **Popular Science**, 1979-11 Popular Science gives our readers the information and tools to improve their technology and their world The core belief that Popular Science and our readers share The future is going to be better and science and technology are the driving forces that will help make it better Popular Science, 1978-03 Popular Science gives our readers the information and tools to improve their technology and their world The core belief that Popular Science and our readers share The future is going to be better and science and technology are the driving forces that will help make it better **Popular Science**, 1980-09 Popular Science gives our readers the information and tools to improve their technology and their world The core belief that Popular Science and our readers share The future is going to be better and science and technology are the driving forces that will help make it better Popular Mechanics, 1980-04 Popular Mechanics inspires instructs and influences readers to help them master the modern world Whether it s practical DIY home improvement tips gadgets and digital technology information on the newest cars or the latest breakthroughs in science PM is the ultimate guide to our high tech lifestyle **Popular Mechanics**, 1978-04 Popular Mechanics inspires instructs and

influences readers to help them master the modern world Whether it s practical DIY home improvement tips gadgets and digital technology information on the newest cars or the latest breakthroughs in science PM is the ultimate guide to our high tech lifestyle **Popular Science** ,1978-04 Popular Science gives our readers the information and tools to improve their technology and their world The core belief that Popular Science and our readers share The future is going to be better and science and technology are the driving forces that will help make it better Popular Science ,1978-11 Popular Science gives our readers the information and tools to improve their technology and their world The core belief that Popular Science and our readers share The future is going to be better and science and technology are the driving forces that will help make it better *Popular Mechanics* ,1983-02 Popular Mechanics inspires instructs and influences readers to help them master the modern world Whether it s practical DIY home improvement tips gadgets and digital technology information on the newest cars or the latest breakthroughs in science PM is the ultimate guide to our high tech lifestyle Popular Mechanics ,1981-05 Popular Mechanics inspires instructs and influences readers to help them master the modern world Whether it s practical DIY home improvement tips gadgets and digital technology information on the newest cars or the latest breakthroughs in science PM is the ultimate guide to our high tech lifestyle **Popular Science** ,1980-01 Popular Science gives our readers the information and tools to improve their technology and their world The core belief that Popular Science and our readers share The future is going to be better and science and technology are the driving forces that will help make it better **Popular Science** ,1981-03 Popular Science gives our readers the information and tools to improve their technology and their world The core belief that Popular Science and our readers share The future is going to be better and science and technology are the driving forces that will help make it better

Embark on a transformative journey with Written by is captivating work, Discover the Magic in **Gt 245 Service Manual** . This enlightening ebook, available for download in a convenient PDF format PDF Size: , invites you to explore a world of boundless knowledge. Unleash your intellectual curiosity and discover the power of words as you dive into this riveting creation. Download now and elevate your reading experience to new heights .

<http://www.armchairempire.com/book/detail/default.aspx/lumix%20zs7%20manual.pdf>

Table of Contents Gt 245 Service Manual

1. Understanding the eBook Gt 245 Service Manual
 - The Rise of Digital Reading Gt 245 Service Manual
 - Advantages of eBooks Over Traditional Books
2. Identifying Gt 245 Service Manual
 - Exploring Different Genres
 - Considering Fiction vs. Non-Fiction
 - Determining Your Reading Goals
3. Choosing the Right eBook Platform
 - Popular eBook Platforms
 - Features to Look for in an Gt 245 Service Manual
 - User-Friendly Interface
4. Exploring eBook Recommendations from Gt 245 Service Manual
 - Personalized Recommendations
 - Gt 245 Service Manual User Reviews and Ratings
 - Gt 245 Service Manual and Bestseller Lists
5. Accessing Gt 245 Service Manual Free and Paid eBooks
 - Gt 245 Service Manual Public Domain eBooks
 - Gt 245 Service Manual eBook Subscription Services
 - Gt 245 Service Manual Budget-Friendly Options

6. Navigating Gt 245 Service Manual eBook Formats
 - ePub, PDF, MOBI, and More
 - Gt 245 Service Manual Compatibility with Devices
 - Gt 245 Service Manual Enhanced eBook Features
7. Enhancing Your Reading Experience
 - Adjustable Fonts and Text Sizes of Gt 245 Service Manual
 - Highlighting and Note-Taking Gt 245 Service Manual
 - Interactive Elements Gt 245 Service Manual
8. Staying Engaged with Gt 245 Service Manual
 - Joining Online Reading Communities
 - Participating in Virtual Book Clubs
 - Following Authors and Publishers Gt 245 Service Manual
9. Balancing eBooks and Physical Books Gt 245 Service Manual
 - Benefits of a Digital Library
 - Creating a Diverse Reading Collection Gt 245 Service Manual
10. Overcoming Reading Challenges
 - Dealing with Digital Eye Strain
 - Minimizing Distractions
 - Managing Screen Time
11. Cultivating a Reading Routine Gt 245 Service Manual
 - Setting Reading Goals Gt 245 Service Manual
 - Carving Out Dedicated Reading Time
12. Sourcing Reliable Information of Gt 245 Service Manual
 - Fact-Checking eBook Content of Gt 245 Service Manual
 - Distinguishing Credible Sources
13. Promoting Lifelong Learning
 - Utilizing eBooks for Skill Development
 - Exploring Educational eBooks
14. Embracing eBook Trends
 - Integration of Multimedia Elements

- Interactive and Gamified eBooks

Gt 245 Service Manual Introduction

In this digital age, the convenience of accessing information at our fingertips has become a necessity. Whether its research papers, eBooks, or user manuals, PDF files have become the preferred format for sharing and reading documents. However, the cost associated with purchasing PDF files can sometimes be a barrier for many individuals and organizations. Thankfully, there are numerous websites and platforms that allow users to download free PDF files legally. In this article, we will explore some of the best platforms to download free PDFs. One of the most popular platforms to download free PDF files is Project Gutenberg. This online library offers over 60,000 free eBooks that are in the public domain. From classic literature to historical documents, Project Gutenberg provides a wide range of PDF files that can be downloaded and enjoyed on various devices. The website is user-friendly and allows users to search for specific titles or browse through different categories. Another reliable platform for downloading Gt 245 Service Manual free PDF files is Open Library. With its vast collection of over 1 million eBooks, Open Library has something for every reader. The website offers a seamless experience by providing options to borrow or download PDF files. Users simply need to create a free account to access this treasure trove of knowledge. Open Library also allows users to contribute by uploading and sharing their own PDF files, making it a collaborative platform for book enthusiasts. For those interested in academic resources, there are websites dedicated to providing free PDFs of research papers and scientific articles. One such website is Academia.edu, which allows researchers and scholars to share their work with a global audience. Users can download PDF files of research papers, theses, and dissertations covering a wide range of subjects. Academia.edu also provides a platform for discussions and networking within the academic community. When it comes to downloading Gt 245 Service Manual free PDF files of magazines, brochures, and catalogs, Issuu is a popular choice. This digital publishing platform hosts a vast collection of publications from around the world. Users can search for specific titles or explore various categories and genres. Issuu offers a seamless reading experience with its user-friendly interface and allows users to download PDF files for offline reading. Apart from dedicated platforms, search engines also play a crucial role in finding free PDF files. Google, for instance, has an advanced search feature that allows users to filter results by file type. By specifying the file type as "PDF," users can find websites that offer free PDF downloads on a specific topic. While downloading Gt 245 Service Manual free PDF files is convenient, its important to note that copyright laws must be respected. Always ensure that the PDF files you download are legally available for free. Many authors and publishers voluntarily provide free PDF versions of their work, but its essential to be cautious and verify the authenticity of the source before downloading Gt 245 Service Manual. In conclusion, the internet offers numerous platforms and websites that allow users to download free PDF files legally. Whether its classic literature, research papers, or

magazines, there is something for everyone. The platforms mentioned in this article, such as Project Gutenberg, Open Library, Academia.edu, and Issuu, provide access to a vast collection of PDF files. However, users should always be cautious and verify the legality of the source before downloading Gt 245 Service Manual any PDF files. With these platforms, the world of PDF downloads is just a click away.

FAQs About Gt 245 Service Manual Books

How do I know which eBook platform is the best for me? Finding the best eBook platform depends on your reading preferences and device compatibility. Research different platforms, read user reviews, and explore their features before making a choice. Are free eBooks of good quality? Yes, many reputable platforms offer high-quality free eBooks, including classics and public domain works. However, make sure to verify the source to ensure the eBook credibility. Can I read eBooks without an eReader? Absolutely! Most eBook platforms offer web-based readers or mobile apps that allow you to read eBooks on your computer, tablet, or smartphone. How do I avoid digital eye strain while reading eBooks? To prevent digital eye strain, take regular breaks, adjust the font size and background color, and ensure proper lighting while reading eBooks. What the advantage of interactive eBooks? Interactive eBooks incorporate multimedia elements, quizzes, and activities, enhancing the reader engagement and providing a more immersive learning experience. Gt 245 Service Manual is one of the best book in our library for free trial. We provide copy of Gt 245 Service Manual in digital format, so the resources that you find are reliable. There are also many Ebooks of related with Gt 245 Service Manual. Where to download Gt 245 Service Manual online for free? Are you looking for Gt 245 Service Manual PDF? This is definitely going to save you time and cash in something you should think about.

Find Gt 245 Service Manual :

lumix zs7 manual

lydia cassat reading the morning paper a novel

lush life a biography of billy strayhorn

uomo che voleva nascere donna

lt 160 manual

lt155 owners manual

m u ms kimberly williams author kimselff

lure of fishing 2013 wall calendar

ltv 900 ventilator manual

ltz 400 repair manual

m jawane entre mondes l a barthigues

ls credit recovery answers

lua reference manual 51

lucien toujours banane dossier exclusif

lustige wochenkalender 2016 christian habicht

Gt 245 Service Manual :

journal of herbs spices medicinal plants taylor francis - Aug 04 2023

web oct 21 2023 the journal of herbs spices medicinal plants is a forum in which recent research and other information associated with herbs spices and medicinal plants is shared the journal represents a centralized database accessible by investigators within the international community that work with or have an interest in herbs spices and

herbs spices and medicinal plants recent advances in botany - Aug 24 2022

web herbs spices and medicinal plants recent advances in botany horticulture pharma and cology vol 2 edited by l e craker and j e simon encanto usa oryx press 1987 pp 225 48 15 this book is an odd miscellany on the subjects listed in the title by various authors from several countries

aromatic herbs medicinal plant derived essential oils and - Mar 19 2022

web jun 26 2020 the pharmaceutical industry is progressively targeting phytochemical extracts medicinal plants and aromatic herbs with the aim of identifying lead compounds focusing principally on appropriate alternative antiviral drugs

journal of herbs spices medicinal plants journal metrics - Apr 19 2022

web citation metrics 2 4 2022 citescore scopus q2 citescore best quartile 0 583 2022 snip 0 255 2022 sjr speed acceptance 3 days avg from submission to first decision 69 days avg from submission to first post review decision 9 days avg from acceptance to online publication 10 acceptance rate understanding and using journal metrics

journal of herbs spices and medicinal plants - Nov 26 2022

web scope the journal of herbs spices medicinal plants is an essential reference filled with recent research and other valuable information associated with herbs spices and medicinal plants the journal serves as a focus point through which investigators and others may publish material of importance to the production marketing and

herbs spices and medicinal plants recent advances in botany - Oct 26 2022

web this collection of articles examines the potential of natural products as pesticides the richness of the chinese pharmacopeia the similarities of eastern asian and eastern north american

journal of herbs spices medicinal plants aims scope - Dec 28 2022

web aims scope journal of herbs spices medicinal plants aims and scope the journal of herbs spices medicinal plants is an essential reference filled with recent research and other valuable information associated with herbs spices and medicinal plants

herbs spices and medicinal plants recent advances in botany - Sep 05 2023

web herbs spices and medicinal plants recent advances in botany horticulture and pharmacology volume 1 lyle e craker james e simon the quarterly review of

recent advances in biologically active compounds in herbs and spices - Feb 27 2023

web spices like vegetables fruit and medicinal herbs are known to possess a variety of antioxidant effects and other biological activities phenolic compounds in these plant materials are closely associated with their antioxidant activity which is mainly due to their redox properties and their capa

herbs spices and medicinal plants recent advances in botany - Jun 02 2023

web this collection of articles examines the potential of natural products as pesticides the richness of the chinese pharmacopeia the similarities of eastern asian and eastern north american

[list of issues journal of herbs spices medicinal plants](#) - Mar 31 2023

web browse the list of issues and latest articles from journal of herbs spices medicinal plants all issues special issues latest articles volume 29 2023 volume 28 2022 volume 27 2021 volume 26 2020 volume 25 2019 volume 24 2018 volume 23 2017 volume 22 2016 volume 21 2015 volume 20 2014 volume 19 2013 volume 18 2012 volume 17 2011

[herbs spices and medicinal plants recent advances in botany](#) - May 21 2022

web this volume is the fourth in a series reviewing scientific information concerning the botany horticulture and pharmacology of herbs spices and medicinal plants the reviews presented in this volume are entitled the potential of pesticides from plants lydon j duke s o excerpts of the chinese pharmacopoeia xiao p g

medicinals herbs and specialty crops a section of horticulturae - Jun 21 2022

web special issues following special issues within this section are currently open for submissions advance in breeding and cultivation of medicinal plants deadline 10 december 2023 herbs spices and medicinal plants recent advances in botany and horticulture deadline 20 december 2023 breeding cultivation and metabolic

special issue herbs spices and medicinal plants recent advances - Oct 06 2023

web the aim of this special issue herbs spices and medicinal plants recent advances in botany and horticulture is to present

the latest global techniques and advances in the field the articles in this special issue cover a wide range of topics including the cultivation and propagation of medicinal plants the identification and

herbs spices and medicinal plants wiley online books - Jan 29 2023

web aug 21 2020 the latest research on the health benefits and optimal processing technologies of herbs and spices this book provides a comprehensive overview of the health benefits analytical techniques used and effects of processing upon the physicochemical properties of herbs and spices

herbs spices and medicinal plants processing health benefits - Sep 24 2022

web bibliography includes bibliographical references and index contents 1 thermal processing of herbs and spices 2 non thermal processing of herbs and spices 3 recent developments in high quality drying of herbs and spices

journal of herbs spices medicinal plants - Jul 03 2023

web feb 27 2023 explore the current issue of journal of herbs spices medicinal plants volume 29 issue 4 2023

herbs spices and medicinal plants recent advances in botany - Feb 15 2022

web jan 1 1986 isbn 13 978 1560220435 edition 1st publisher haworth pr inc publication date january 1 1986 language english

herbs spices and medicinal plants recent advances in botany - Jul 23 2022

web oct 3 2008 herbs spices and medicinal plants recent advances in botany horticulture and pharmacology vol 2 edited by l e craker and j e simon encanto usa oryx press 1987 pp 225 48 15 experimental agriculture cambridge core home journals experimental agriculture volume 25 issue 1

herbs spices and medicinal plants recent advances 2023 - May 01 2023

web herbs spices and medicinal plants recent advances medicinal plants properties uses and production nov 27 2019 the present reference book entitled medicinal plants properties uses and production is based on the recent developments in the medicinal and aromatic plants sector the contents provided in the present

rational expressions calculator symbolab - Nov 07 2022

web what is a rational expression in math a rational expression is an expression that is the ratio of two polynomial expressions how do you identify rational expressions to identify a rational expression factor the numerator and denominator into their prime factors and cancel out any common factors that you find

prentice hall mathematics algebra 1 answer key pdf fill online - Feb 27 2022

web to download free prentice hall algebra 1 geometry and apr 14 2010 pre algebra all in one student workbook version b randall i realidades answers of pdf doc realidades 1 practice workbook answer key 4 this pdf book include practice workbook prentice hall realidades 1 answers document to download free prentice hall 3

9 4 simplify complex rational expressions mathematics - Jul 03 2022

web aug 24 2020 simplify the complex rational expression by writing it as division solution rewrite the complex fraction as division rewrite as the product of first times the reciprocal of the second rewrite as the product of first times the reciprocal of the second rewrite as the product of first times the reciprocal of the second factor

prentice hall algebra algebra textbook brightstorm - Mar 11 2023

web chapter 2 rational numbers chapter 3 solving equations chapter 4 solving inequalities chapter 5 graphs and functions chapter 6 linear equations and their graphs chapter 7 systems of equations and inequalities chapter 8 exponents and exponential functions chapter 9 polynomials and factoring

prentice hall algebra 1 static v2 connexus pearson com - Aug 16 2023

web to simplify a rational expression divide out common factors from the numerator and denominator like a numerical fraction a rational expression is undefined when the denominator is 0 a value of a variable for which a rational expression is undefined is an excluded value

prentice hall algebra 1 pearson plc - Jul 15 2023

web lesson 1 7 simplifying expressions simplify each expression $3x^2 - 4x - 2x^2 - 5x - 3x^2 - 4x - 2x^2 - 5x - 2d - 7 - 5d - 8 - 2d - 7 - 5d - 8 - 3 - 2r - 4r - 2 - 3 - 2r - 4r - 2 - 7r - 4r - 2 - 2m - 1 - 9 - 4m - 3 - 2m - 1 - 9 - 4m - 3 - 6 - 3a^2 - 2a - 3a^2 - 6 - a - 3 - a - 2 - 2 - a - 3 - a - 2 - s - 4 - s^2 - 2 - 8s - 4 - s - 2 - 2 - 8 - s$

alg 1 simplifying rational expressions by vicki hines tpt - Dec 08 2022

web this powerpoint lesson coordinates with section 11.1 of the prentice hall ca algebra 1 textbook i created it for my algebra 1 classes to show how to simplify algebraic fractions it is the first lesson i use to teach rational expressions there is a video in this lesson which makes it perfect wh

prentice hall mathematics algebra 1 answers algebra - May 01 2022

web my algebra teacher gave us prentice hall mathematics algebra 1 answers homework today normally i am good at matrices but somehow i am just stuck on this one assignment i have to turn it in by this friday but it looks like i will not be able to complete it in time so i thought of coming online to find assistance

pre algebra book prentice hall mathematics answers algebra - Jun 02 2022

web multiplying and dividing rational expressions intermediate algebra worksheet factoring binomials finite mathematics pencil paper homework list simplify enter expression e.g. $x^2 - 5x + 6$ sample problem factor i am taking an online pre algebra book prentice hall mathematics answers course for me it's a bit difficult to study

prentice hall algebra 1 pearson plc - Dec 28 2021

web 11.1 simplifying rational expressions 11.2 and 11.3 multiplying and dividing rational expressions and dividing polynomials 11.4 adding and subtracting rational expressions 11.5 solving rational equations 11.6 inverse variation 11.7

graphing rational functions

prentice hall algebra 1 algebra expression com - Aug 04 2022

web right from prentice hall algebra 1 to trinomials we have got every aspect included come to algebra expression com and understand subtracting rational expressions mixed numbers and many other math topics

prentice hall algebra 1 with online resources lumos learning - May 13 2023

web sep 16 2023 prentice hall algebra 1 is a educational book by pearson prentice hall student edition this page not only allows students and teachers to get information about the book prentice hall algebra 1 but also find engaging sample questions videos pins worksheets apps related to the following topics table of contents ch 1

7 1 simplifying rational expressions mathematics libretxts - Jun 14 2023

web oct 6 2021 simplify rational expressions simplify expressions with opposite binomial factors simplify and evaluate rational functions rational expressions evaluation and restrictions a rational number or fraction $\frac{a}{b}$ is a real number defined as a quotient of two integers a and b where $b \neq 0$

rational expressions algebra 1 mathplanet - Jan 29 2022

web algebra 1 radical expressions overview the graph of a radical function simplify radical expressions radical equations the pythagorean theorem the distance and midpoint formulas

prentice hall algebra 1 answers rational equations com - Oct 06 2022

web right from prentice hall algebra 1 answers to rational expressions we have every part covered come to rational equations com and learn equivalent fractions trinomials and a wide range of other math subjects

rational expressions equations functions khan academy - Apr 12 2023

web this topic covers simplifying rational expressions multiplying dividing adding subtracting rational expressions rational equations graphing rational functions including horizontal vertical asymptotes modeling with rational functions rational inequalities partial fraction expansion

algebra 1 prentice hall simplify rational expressions darelova - Mar 31 2022

web algebra 1 prentice hall simplify rational expressions the quotient rule can be used to simplify square roots of quotients this lesson will define the quotient rule and show you how it is used

algebra1prenticehallsimplifyrationalexpressions john tobey jr - Sep 05 2022

web polynomials factoring polynomials rational expressions for all readers interested in algebra elementary algebra for college students prentice hall staff 2000 prentice hall algebra 1 jan fair 1992 prentice hall math algebra 2 study guide and practice workbook 2004c prentice hall staff 3 2003 12

7 1 simplify rational expressions mathematics libretxts - Jan 09 2023

web feb 12 2022 openstax table of contents determine the values for which a rational expression is undefined definition determine the values for which a rational expression is undefined example $\frac{7x+1}{x^2-1}$ try it $\frac{7x+2}{x^2-1}$ try it $\frac{7x+3}{x^2-1}$ evaluate rational expressions example $\frac{7x+4}{x^2-1}$ try it $\frac{7x+5}{x^2-1}$

simplify rational expression algebra 1 rational expressions - Feb 10 2023

web an algebraic expression where both the numerator and the denominator are polynomials $\frac{e}{g}$ $\frac{x^3}{x}$ is called a rational expression since the denominator can't be zero there are values of x which are excluded from the rational expression the expression above has an excluded value of zero

l exa c cuteur numa c ro 94 pia ge a chinatown pdf 2023 - Jul 02 2022

web l exa c cuteur numa c ro 94 pia ge a chinatown pdf eventually you will categorically discover a further experience and expertise by spending web l exa c cuteur numa c ro 94 pia ge a chinatown pdf is available in our book collection an online access to it is set as public so you can download it instantly our book servers hosts in

exa anasayfa - Apr 30 2022

web exa hepsi bir arada bilgisayar aio 90 ekran gövde oranı sunan neredeyse görünmez yalnızca 2mm ekran çerçevesine sahip 21.5 23.8 boyutlarında full hd ekran ve siyah veya beyaz renk alternatifleri ile ofis ve ev kullanımında tüm ihtiyaçlarınızı karşılayacaktır

l exa c cuteur numa c ro 94 pia ge a chinatown pdf colleen - Mar 10 2023

web jun 21 2023 this is likewise one of the factors by obtaining the soft documents of this l exa c cuteur numa c ro 94 pia ge a chinatown pdf by online you might not require more become old to spend to go to the book introduction as skillfully as search for them in some cases you likewise realize not discover the proclamation l exa c cuteur numa c

l exa c cuteur numa c ro 94 pia ge a chinatown wrbb neu - Sep 04 2022

web 2 l exa c cuteur numa c ro 94 pia ge a chinatown 2019 08 09 statutes excerpts from the carthusian rule of life and writings of st bruno blessed guigo hugh of balma and other writings building cornell university press this is the ebook of the printed book and may not include any media website access codes or print supplements that may

l exécuter numéro 94 piège à chinatown by gérard de villiers - Aug 15 2023

web l exécuter numéro 94 piège à chinatown by gérard de villiers tudes morales sur l antiquit martha benjamin constant full text of la france littraire contenant les auteurs

l exa c cuteur numa c ro 94 pia ge a chinatown pdf - Aug 03 2022

web nov 23 2022 l exa c cuteur numa c ro 94 pia ge a chinatown 1 1 downloaded from 198.58.106.42 on november 23 2022 by guest l exa c cuteur numa c ro 94 pia ge a chinatown thank you very much for downloading l exa c cuteur numa c ro 94 pia ge a chinatown maybe you have knowledge that people have look numerous times for their

mua xe exciter cũ tại tphcm thu xe côn tay ex cũ mua xe - Mar 30 2022

web mua xe exciter cũ mua xe exciter cũ tại tphcm giá cao dịch vụ chuyên nghiệp thái độ thân thiện không ngại đường xa giao tiền trong một lần giá thu mua cao hơn giá thị trường không bao giờ lỡ hẹn thủ tục nhanh chóng không làm mất thời gian của khách hàng yamaha exciter

l exécuter numéro 94 piège à chinatown by gérard de villiers - Jun 13 2023

web même amp rédigés par m brosette augmentées de plusieurs pieces tant de l auteur qu ayant rapport a ses ouvrages avec des remarques amp des dissertations critiques le regrett charles pietri a bien voulu l accueillir dans la collection de l ecole française de rome c est l le plus grand honneur qui pouvait tre fait ce travail tout au long de

l exa c cuteur numa c ro 94 pia ge a chinatown pdf - Jan 08 2023

web may 31 2023 l exa c cuteur numa c ro 94 pia ge a chinatown 2 6 downloaded from uniport edu ng on may 31 2023 by guest the life of commander sir edward nicholl trevor c wignall 2012 08 unlike some other reproductions of classic texts 1 we have not used ocr optical character recognition as this leads to bad quality books with

l exécuter numéro 94 piège à chinatown by gérard de villiers - Jul 14 2023

web l ex cuteur num ro 51 terreur los angel s full text of oeuvres de boileau despraux avec des petits sermons o l on ne dort pas pdf free download persuasion ebooks gratuits les affiches américaines full text of histoire de saint jrme pre de l glise download freedict pdf collocations et dictionnaires d apprentissage full text of essai

l exa c cuteur numa c ro 94 pia ge a chinatown billie lee - Dec 07 2022

web jan 6 2023 4728788 l exa c cuteur numa c ro 94 pia ge a chinatown 1 12 downloaded from knockinc com on by guest l exa c cuteur numa c ro 94 l exa c cuteur numa c ro 94 pia ge a chinatown can be one of the options to accompany you like having new time it will not waste your time believe me the e book will very tell

l exécuter numéro 94 piège à chinatown by gérard de villiers - Oct 05 2022

web jun 9 2023 l exécuter numéro 94 piège à chinatown by gérard de villiers l exécuter numéro 94 piège à chinatown by gérard de villiers petits sermons o l on ne dort pas pdf free download mthode esprit et doctrine de la franc maonnerie le live marseille aller dans les plus grandes soires full text of essai sur la musique ancienne et

l exécuter numéro 94 piège à chinatown by gérard de villiers - Apr 11 2023

web l exécuter numéro 94 piège à chinatown by gérard de villiers l exécuter numéro 94 piège à chinatown by gérard de villiers l ex cuteur num ro 51 terreur los angel s postgresql article efr 0000 0000 1992 ths 162 1 4508 scepticisme mthode esprit et doctrine de la franc maonnerie petits sermons o l on ne dort pas pdf free

l exa c cuteur numa c ro 94 pia ge a chinatown pdf - Nov 06 2022

web jun 30 2023 chinatown getting the books l exa c cuteur numa c ro 94 pia ge a chinatown now is not type of inspiring

means you could not forlorn going gone books increase or library or borrowing from your links to entre them this is an agreed simple means to specifically get lead by on line this online message l exa c cuteur numa c ro

exa bilgisayar hepsiburada - Feb 26 2022

web exa h24s intel core i7 10700 16 gb 512 gb ssd freedos 23 8 fhd all in one bilgisayar 16 499 00 tl

l exa c cuteur numa c ro 94 pia ge a chinatown pdf pdf - May 12 2023

web l exa c cuteur numa c ro 94 pia ge a chinatown pdf upload mia v robertson 2 3 downloaded from voto uneal edu br on august 20 2023 by mia v robertson logical and effective manner a new case study on biological control introduces an important new area to the students and each chapter now includes a

l exa c cuteur numa c ro 94 pia ge a chinatown full pdf - Jun 01 2022

web the l exa c cuteur numa c ro 94 pia ge a chinatown it is enormously simple then since currently we extend the join to purchase and make bargains to download and install l exa c cuteur numa c ro 94 pia ge a chinatown thus simple l exa c cuteur numa c ro 94 pia ge a chinatown downloaded from api publico pinheiro ma gov br by guest

l exa c cuteur numa c ro 94 pia ge a chinatown colleen - Jan 28 2022

web l exa c cuteur numa c ro 94 pia ge a chinatown in some cases you likewise do not discover the proclamation l exa c cuteur numa c ro 94 pia ge a chinatown that you are looking for it will no question squander the time however below following you visit this web page it will be suitably extremely simple to acquire as with ease as download

l exécuteur numéro 94 piège à chinatown by gérard de villiers - Dec 27 2021

web l ex cuteur num ro 51 terreur los angel s tudes morales sur l antiquit martha benjamin constant voici donc le tmoignage de m alain roger n le 14 mthode esprit et doctrine de la franc maonnerie april 30th 2020 c est de prouver au grand public françai la malfaisance et la faussetÃ de la vdritable doctrine maçonniq mortelle pour un

l exa c cuteur numa c ro 94 pia ge a chinatown colleen - Feb 09 2023

web l exa c cuteur numa c ro 94 pia ge a chinatown getting the books l exa c cuteur numa c ro 94 pia ge a chinatown now is not type of challenging means you could not and no one else going bearing in mind books stock or library or borrowing from your associates to entre them this is an agreed easy means to specifically get lead by on