

Introduction

This supplement is issued to cover the changes in design for the M-F 362 tractor since the publication of the original M-F 360 Series Tractor Operator Instruction Book.

The M-F 362 tractor was introduced as a new model at the end of 1989, this model is similar to the M-F 360 tractor except that it is fitted with a four cylinder diesel engine (A4.236) to give a higher power to weight ratio.

Tractor maintenance (Figs 1 and 2)

When using the Operator's Instruction Book refer to the M-F 360 tractor instructions except for the engine, refer to the M-F 365 tractor. Figures 1 and 2 show the positioning of the major engine components.

Left hand side of engine (Fig. 1)

1. Engine oil filler
2. Fuel injection pump vent plugs
3. Cylinder block heater (accessory)
4. Starter motor
5. Engine oil filler
6. Engine oil dipstick
7. Cylinder block drain plug

Right hand side of engine (Fig. 2)

1. Fuel filter bowl securing bolt
2. Alternator
3. Hydraulic oil filter element
4. Fuel tap
5. Fuel lift pump
6. Fuel filter water drain plug
7. Fuel filter element

Specifications

The following changes in specification are applicable:

Wheelbase with spacer	M-F 362-2	M-F 362-4
M-F 362-2	2175 mm (85.6 in)	
M-F 362-4		2209 mm (86.9 in)
Overall length	M-F 362-2	M-F 362-4
M-F 362-2	3617 mm (142.4 in)	
M-F 362-4		3727 mm (146.7 in)
Weight	M-F 362-2	M-F 362-4
Footstep		
Front	930 kg (2050 lbs)	1168 kg (2575 lbs)
Rear	1468 kg (3236 lbs)	1498 kg (3302 lbs)
Total	2398 kg (5287 lbs)	2666 kg (5877 lbs)

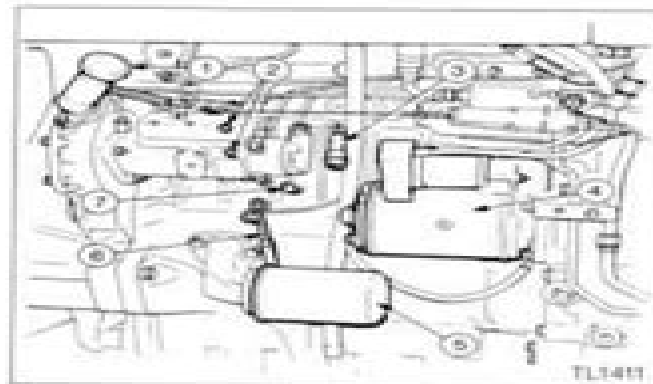


Fig. 1

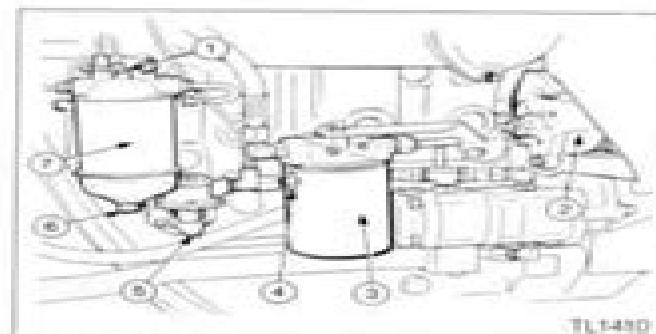


Fig. 2

Cab	M-F 362-2	M-F 362-4
Front	1062 kg (2341 lbs)	1300 kg (2866 lbs)
Rear	1710 kg (3770 lbs)	3040 kg (6702 lbs)
Total	2772 kg (6111 lbs)	4340 kg (9568 lbs)

Turning circle (no brakes)	M-F 362-2	M-F 362-4
	7.2 m (24 ft)	8.15 m (27 ft)

Maximum static load on front axle	M-F 362-2	M-F 362-4
	2605 kg (5743 lbs)	2800 kg (6173 lbs)

Capacities	
Fuel tank	75 litre (16.5 imp gal)
Engine sump	6.8 litre (12.0 imp gal)
Cooling system	14.4 litre (25.3 imp gal)
Transmission	47.4 litre (10.3 imp gal)

Massey Ferguson 390 User Manual

Annelies Wilder-Smith



Massey Ferguson 390 User Manual:

The Big Book of Massey Tractors Robert N. Pripps, 2006 This is the first full scale history of one of the largest farm tractor manufacturers of all time peppered with pictures of Massey Harris Ferguson and Massey Ferguson's historic models collectibles sales memorabilia and advertisements from old farm magazines The Big Book of Massey Tractors tells the story of the mergers and machines that formed Massey Ferguson over several decades and because these machines dominated Canadian farms for almost a century in many ways it also tells the story of Canadian agriculture Robert Pripps a longtime tractor aficionado describes Massey Ferguson's battle with Ford over dominance of the farm tractor industry a battle the company eventually won remarkably enough in view of its initial abject market failure with tractors From the company's beginnings in 1891 to its 1953 merger with the Ferguson tractor company to its current ownership by Allis Gleaner Company AGCO Massey's have played a large role in our agricultural history The Big Book of Massey Tractors celebrates that role and showcases the machines that have helped turn the earth for over a hundred years *Operator, Organizational, Direct Support, and General Support Maintenance Manual Including Repair Parts List for Grinding Kit, Valve Seat (K O Lee Co, Inc) (4910-00-060-9983)*, 1989

The Practitioner Handbook of Project Controls Shane Forth, Dennis Lock, 2020-10-12 Although projects always carry risk too many projects run late or exceed their original budgets by eye watering amounts This book is a comprehensive guide to the procedures needed to ensure that projects will be delivered on time to specification and within budget Eight expert contributors have combined their considerable talents to explain all aspects of project control from project conception to completion in an informative text liberally supported where necessary by clear illustrations This handbook will benefit all project practitioners including project managers and those working in project management offices It will also provide an invaluable guide for students studying for higher degrees in project management and its associated disciplines

Customs Bulletin, 2000-06 *I & T Shop Service*, 1993, *Official Guide, Tractors and Farm Equipment*, 1989

Facts about Sugar, 1989 Vols 26 include Sugar abstracts published under the auspices of the International Society of Sugar Cane Technologists

Hidden America Jeanne Marie Laskas, 2013-09-03 An Oprah.com Must Read Book Award winning journalist Jeanne Marie Laskas reveals enlightening entertaining and often poignant profiles of America's working class the forgotten men and women who make our country run Take the men of Hopedale Mining company in Cadiz Ohio Laskas spent several weeks with them both below and above ground and by the end you will know not only about their work but about Pap and his dying mom Smitty and the mail order bride who stood him up at the airport and Scotty and his thwarted dreams of becoming a boxing champion That is only one hidden world Others that she explores an Alaskan oil rig a migrant labor camp in Maine the air traffic control center at LaGuardia Airport in New York a beef ranch in Texas a landfill in California a long haul trucker in Iowa a gun shop in Arizona and the Cincinnati Ben Gals cheerleaders mere footnotes in the moneymaking spectacle that is professional football Jeanne Marie Laskas is a reporting and writing

powerhouse She doesn't just interview the people who dig our coal and extract our oil she goes deep into the mines and tundra with them With beauty wit curiosity and grace she finds the hidden soul of America *Hidden America* is essential reading Rebecca Skloot author of *The Immortal Life of Henrietta Lacks* Federal Jury Practice and Instructions Edward James Devitt,1987 **Agricultural Engineering** Vincent A. Dodd,Patrick M. Grace,1989-06-01 A broad coverage of basic Agricultural buildings Agricultural mechanisation Power Management ergonomics About 450 papers from over 50 countries worldwide *The University of Toronto* Martin L. Friedland,2013-01-01 Anyone who attended the University or who is interested in the growth of Canada's intellectual heritage will enjoy this compelling and magisterial history *Engineering* ,1889 The Massey Legacy J. Farnworth,1997 This is the first volume of a two volume set offering a comprehensive review of the range of products manufactured or marketed by Massey Ferguson and its predecessor companies from 1847 This volume includes a survey of agricultural tractors a chronology of the company and other data **Summary of OECD Test ...** , **West Africa** ,1989-04 The Farm Quarterly ,1958 **Forthcoming Books** Rose Army,2001 *Fleet Owner* ,1963-07 Power Farming in Australia and New Zealand Technical Manual ,1987

If you are craving such a referred **Massey Ferguson 390 User Manual** books that will give you worth, acquire the utterly best seller from us currently from several preferred authors. If you desire to comical books, lots of novels, tale, jokes, and more fictions collections are as well as launched, from best seller to one of the most current released.

You may not be perplexed to enjoy every books collections Massey Ferguson 390 User Manual that we will totally offer. It is not on the subject of the costs. Its just about what you compulsion currently. This Massey Ferguson 390 User Manual, as one of the most functioning sellers here will enormously be along with the best options to review.

http://www.armchairempire.com/files/detail/index.jsp/in_harms_way_benjamin_pratt_and_the_keepers_of_the_school.pdf

Table of Contents Massey Ferguson 390 User Manual

1. Understanding the eBook Massey Ferguson 390 User Manual
 - The Rise of Digital Reading Massey Ferguson 390 User Manual
 - Advantages of eBooks Over Traditional Books
2. Identifying Massey Ferguson 390 User Manual
 - Exploring Different Genres
 - Considering Fiction vs. Non-Fiction
 - Determining Your Reading Goals
3. Choosing the Right eBook Platform
 - Popular eBook Platforms
 - Features to Look for in an Massey Ferguson 390 User Manual
 - User-Friendly Interface
4. Exploring eBook Recommendations from Massey Ferguson 390 User Manual
 - Personalized Recommendations
 - Massey Ferguson 390 User Manual User Reviews and Ratings
 - Massey Ferguson 390 User Manual and Bestseller Lists
5. Accessing Massey Ferguson 390 User Manual Free and Paid eBooks

- Massey Ferguson 390 User Manual Public Domain eBooks
 - Massey Ferguson 390 User Manual eBook Subscription Services
 - Massey Ferguson 390 User Manual Budget-Friendly Options
6. Navigating Massey Ferguson 390 User Manual eBook Formats
 - ePub, PDF, MOBI, and More
 - Massey Ferguson 390 User Manual Compatibility with Devices
 - Massey Ferguson 390 User Manual Enhanced eBook Features
 7. Enhancing Your Reading Experience
 - Adjustable Fonts and Text Sizes of Massey Ferguson 390 User Manual
 - Highlighting and Note-Taking Massey Ferguson 390 User Manual
 - Interactive Elements Massey Ferguson 390 User Manual
 8. Staying Engaged with Massey Ferguson 390 User Manual
 - Joining Online Reading Communities
 - Participating in Virtual Book Clubs
 - Following Authors and Publishers Massey Ferguson 390 User Manual
 9. Balancing eBooks and Physical Books Massey Ferguson 390 User Manual
 - Benefits of a Digital Library
 - Creating a Diverse Reading Collection Massey Ferguson 390 User Manual
 10. Overcoming Reading Challenges
 - Dealing with Digital Eye Strain
 - Minimizing Distractions
 - Managing Screen Time
 11. Cultivating a Reading Routine Massey Ferguson 390 User Manual
 - Setting Reading Goals Massey Ferguson 390 User Manual
 - Carving Out Dedicated Reading Time
 12. Sourcing Reliable Information of Massey Ferguson 390 User Manual
 - Fact-Checking eBook Content of Massey Ferguson 390 User Manual
 - Distinguishing Credible Sources
 13. Promoting Lifelong Learning
 - Utilizing eBooks for Skill Development

- Exploring Educational eBooks
14. Embracing eBook Trends
- Integration of Multimedia Elements
 - Interactive and Gamified eBooks

Massey Ferguson 390 User Manual Introduction

Massey Ferguson 390 User Manual Offers over 60,000 free eBooks, including many classics that are in the public domain. Open Library: Provides access to over 1 million free eBooks, including classic literature and contemporary works. Massey Ferguson 390 User Manual Offers a vast collection of books, some of which are available for free as PDF downloads, particularly older books in the public domain. Massey Ferguson 390 User Manual : This website hosts a vast collection of scientific articles, books, and textbooks. While it operates in a legal gray area due to copyright issues, its a popular resource for finding various publications. Internet Archive for Massey Ferguson 390 User Manual : Has an extensive collection of digital content, including books, articles, videos, and more. It has a massive library of free downloadable books. Free-eBooks Massey Ferguson 390 User Manual Offers a diverse range of free eBooks across various genres. Massey Ferguson 390 User Manual Focuses mainly on educational books, textbooks, and business books. It offers free PDF downloads for educational purposes. Massey Ferguson 390 User Manual Provides a large selection of free eBooks in different genres, which are available for download in various formats, including PDF. Finding specific Massey Ferguson 390 User Manual, especially related to Massey Ferguson 390 User Manual, might be challenging as theyre often artistic creations rather than practical blueprints. However, you can explore the following steps to search for or create your own Online Searches: Look for websites, forums, or blogs dedicated to Massey Ferguson 390 User Manual, Sometimes enthusiasts share their designs or concepts in PDF format. Books and Magazines Some Massey Ferguson 390 User Manual books or magazines might include. Look for these in online stores or libraries. Remember that while Massey Ferguson 390 User Manual, sharing copyrighted material without permission is not legal. Always ensure youre either creating your own or obtaining them from legitimate sources that allow sharing and downloading. Library Check if your local library offers eBook lending services. Many libraries have digital catalogs where you can borrow Massey Ferguson 390 User Manual eBooks for free, including popular titles. Online Retailers: Websites like Amazon, Google Books, or Apple Books often sell eBooks. Sometimes, authors or publishers offer promotions or free periods for certain books. Authors Website Occasionally, authors provide excerpts or short stories for free on their websites. While this might not be the Massey Ferguson 390 User Manual full book , it can give you a taste of the authors writing style. Subscription Services Platforms like Kindle Unlimited or Scribd offer subscription-based access to a wide range of Massey Ferguson 390 User Manual eBooks, including some popular titles.

FAQs About Massey Ferguson 390 User Manual Books

What is a Massey Ferguson 390 User Manual PDF? A PDF (Portable Document Format) is a file format developed by Adobe that preserves the layout and formatting of a document, regardless of the software, hardware, or operating system used to view or print it. **How do I create a Massey Ferguson 390 User Manual PDF?** There are several ways to create a PDF: Use software like Adobe Acrobat, Microsoft Word, or Google Docs, which often have built-in PDF creation tools. Print to PDF: Many applications and operating systems have a "Print to PDF" option that allows you to save a document as a PDF file instead of printing it on paper. Online converters: There are various online tools that can convert different file types to PDF. **How do I edit a Massey Ferguson 390 User Manual PDF?** Editing a PDF can be done with software like Adobe Acrobat, which allows direct editing of text, images, and other elements within the PDF. Some free tools, like PDFescape or Smallpdf, also offer basic editing capabilities. **How do I convert a Massey Ferguson 390 User Manual PDF to another file format?** There are multiple ways to convert a PDF to another format: Use online converters like Smallpdf, Zamzar, or Adobe Acrobats export feature to convert PDFs to formats like Word, Excel, JPEG, etc. Software like Adobe Acrobat, Microsoft Word, or other PDF editors may have options to export or save PDFs in different formats. **How do I password-protect a Massey Ferguson 390 User Manual PDF?** Most PDF editing software allows you to add password protection. In Adobe Acrobat, for instance, you can go to "File" -> "Properties" -> "Security" to set a password to restrict access or editing capabilities. Are there any free alternatives to Adobe Acrobat for working with PDFs? Yes, there are many free alternatives for working with PDFs, such as: LibreOffice: Offers PDF editing features. PDFsam: Allows splitting, merging, and editing PDFs. Foxit Reader: Provides basic PDF viewing and editing capabilities. How do I compress a PDF file? You can use online tools like Smallpdf, ILovePDF, or desktop software like Adobe Acrobat to compress PDF files without significant quality loss. Compression reduces the file size, making it easier to share and download. Can I fill out forms in a PDF file? Yes, most PDF viewers/editors like Adobe Acrobat, Preview (on Mac), or various online tools allow you to fill out forms in PDF files by selecting text fields and entering information. Are there any restrictions when working with PDFs? Some PDFs might have restrictions set by their creator, such as password protection, editing restrictions, or print restrictions. Breaking these restrictions might require specific software or tools, which may or may not be legal depending on the circumstances and local laws.

Find Massey Ferguson 390 User Manual :

[in harms way benjamin pratt and the keepers of the school in the age of the smart machine](#)

in other worlds essays in cultural politics routledge classics

in search of power african americans in the era of decolonization 1956 1974

in search of the sacred music

incoterms 2015 full version free user manual

in holland staat een huis reeks sprookjesboeket

in the heart of the amazon

income statements hours zachary parsons

inclusive teaching the journey towards effective schools for all learners 2nd edition

in search of wonder a call to worship renewal

in the name of god and country reconsidering terrorism in american history

industrial relations theory and practice by michael salamon 4th edition

in search of the physical basis of life

indian railways maintenance manual for diesel locomotives

Massey Ferguson 390 User Manual :

Toyota Coaster Service Repair Manuals | Free Pdf Free Online Pdf for Toyota Coaster Workshop Manuals , Toyota Coaster OEM Repair Manuals, Toyota Coaster Shop Manuals, Toyota Coaster Electrical Wiring ... Toyota Coaster Manuals Toyota Coaster Upload new manual ... land cruiser coaster 1hd ft engine repair manual.pdf, French, 16.1 MB, 258. Coaster, toyota trucks service manual.pdf ... Toyota Coaster Bus Diesel And Petrol Engines PDF Workshop Repair Manual is a rare collection of original OEM Toyota Factory workshop manuals produced for the Toyota Coaster, Land Cruiser, Hino & Dutro. Now ... Toyota COASTER Manuals Manuals and User Guides for Toyota COASTER. We have 1 Toyota COASTER manual available for free PDF download: Owner's Manual ... Toyota Coaster repair manual for chassis & body Toyota Coaster repair manual for chassis & body | WorldCat.org. Repair manuals and video tutorials on TOYOTA COASTER TOYOTA COASTER PDF service and repair manuals with illustrations · Manuf. year (from - to): (08/1977 - 04/1982) · Car body type: Bus · Power (HP): 76 - 98 ... TOYOTA Coaster 1982-90 Workshop Manual TOYOTA Coaster B20 and B30 Series 1982-1990 Comprehensive Workshop Manual. PDF DOWNLOAD. With easy step by step instructions for the DIY mechanic or ... TOYOTA COASTER BUS 1982 1983 1984 1985 REPAIR ... Manual Transmission. - Service Specifications. - Body Electrical. - Restraint System. - Suspension & Axle. - Propeller Shaft. - Transfer Case. User manual Toyota Coaster (2012) (English - 186 pages) The Coaster is powered by a diesel engine, providing ample torque and fuel efficiency. It features a seating capacity of 21 passengers, making it ideal for ... Odyssey Book 4 Questions and Answers Flashcards Study with Quizlet and memorize flashcards

containing terms like What is the festive occasion in Menelaus' palace when Telemachus arrives?, Who is the first ... Learning Odyssey Answers - Fill Online, Printable, Fillable, ... Fill Learning Odyssey Answers, Edit online. Sign, fax and printable from PC, iPad, tablet or mobile with pdfFiller Instantly. Try Now! the odyssey, part 4 questions Flashcards Study with Quizlet and memorize flashcards containing terms like which god does odysseus ask to help him?, Which suitor does Odysseus first kill?, ... The Odyssey: Questions & Answers Why does Athena help Odysseus so much? Athena helps Odysseus for several reasons. Odysseus is Poseidon's enemy, having blinded Poseidon's Cyclops son, ... Quiz & Worksheet - Questions on The Odyssey Book 4 This quiz will have you answer questions about the major characters and events in the chapter. Quiz & Worksheet Goals. This quiz and worksheet will check your ... Book 4 Questions and Answers - The Odyssey Study Questions 1. What is the festive occasion in Menelaus' palace when Telemachus arrives? 2. Who is the first to recognize Telemachus in Sparta? The Odyssey Book 4 Questions and Answers There are three sets of questions in this packet. First there are good questions to ask students to answer on their own as they read or for class discussion ... The Learning Odyssey Log in page for CompassLearning Customers. To view the CompassLearning ... School ▾. Select or Type; ODYSSEY. Forgot Password · Support · Edgenuity · Contact. LEAP 2025 English II Practice Test Answer Key This document contains the answers to all items on the English II Practice Test, as well as alignment and scoring information. Refer to the. ELA Practice Test ... Ford Taurus 3.0L 24v DOHC Intake Manifold Removal 1997 Mercury Sable 3.0L (Ford Taurus) - YouTube 2002 Taurus/Sable Duratec 3.0 Intake Disassembly - YouTube Upper Intake Manifold Removal | Taurus Car Club of America Jul 13, 2008 — I almost remove the UIM completely, but the things that are in the way are accelerator cable and cruise control cables. 00-07 Ford Taurus/Mercury Sable Intake Removal/Sparkplug ... Upper intake removal for 2004 mercury sable v6 DOHC intake manifold replacement Ford Taurus(so easy ... - YouTube Ford 3.5L DOHC Upper Intake manifold removal ... - YouTube help with intake manifold removal? - Ford Taurus Forum Jan 10, 2015 — Can't help you with the "cat claw" part. I usually use a small pry bar with a "V" cut out on each end. Looks like a small crow bar. As to "inch ... How to remove intake manifold on duratec engine on 1999 ... Aug 19, 2008 — Disconnect battery ground cable. Drain engine cooling system. Remove crankcase ventilation tube from valve cover and air cleaner outlet tube.