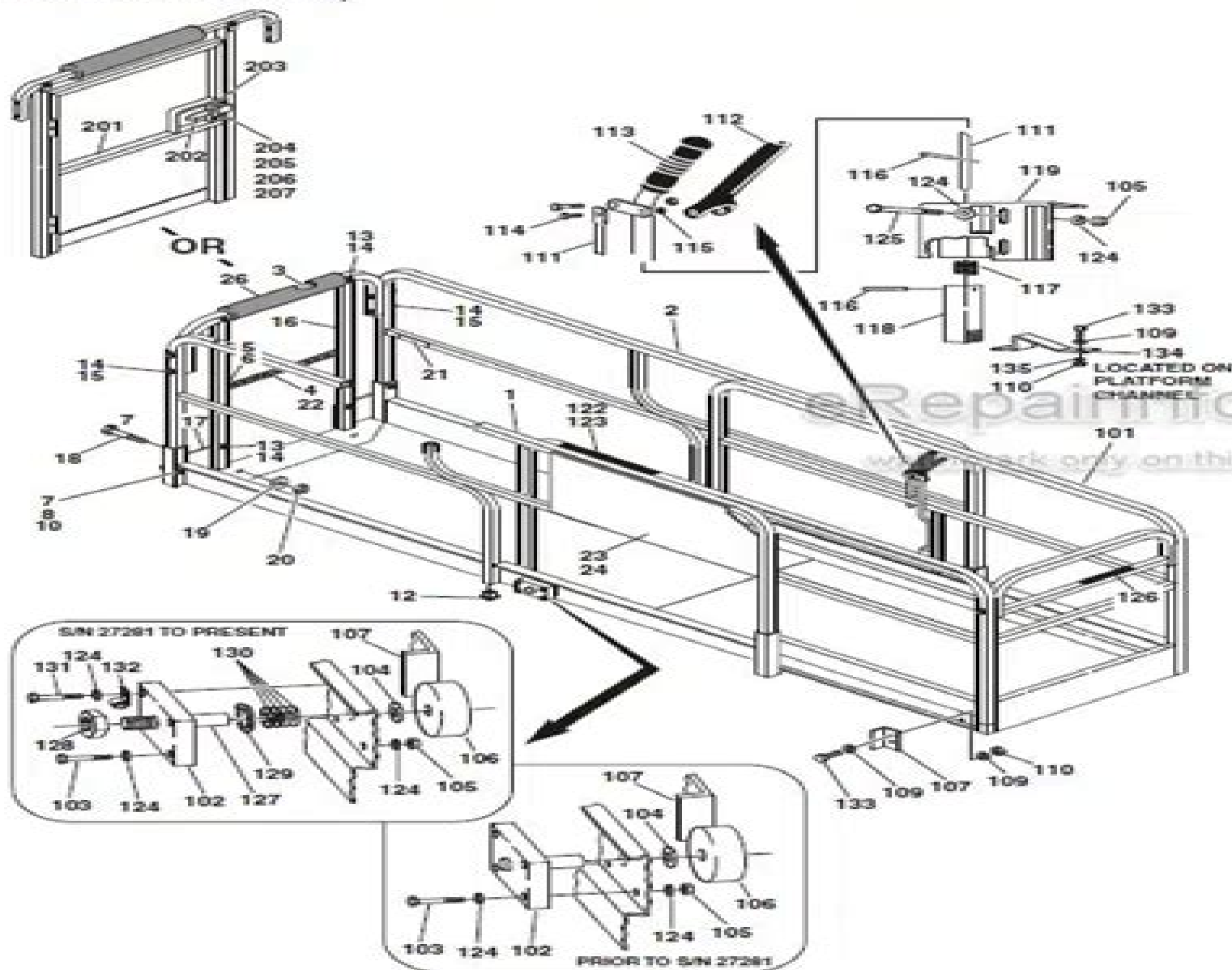


SECTION 4 PLATFORM

FIGURE 4-2. STANDARD HANDRAILS & EXTENSION INSTALLATION (MANUALLY OPERATED PLATFORM)



Jlg Scissor Lifts 26mrt Service Repair Workshop Manual
P N 3120791

Ying Liu



Jlg Scissor Lifts 26mrt Service Repair Workshop Manual P N 3120791:

Unveiling the Magic of Words: A Report on "**Jlg Scissor Lifts 26mrt Service Repair Workshop Manual P N 3120791**"

In some sort of defined by information and interconnectivity, the enchanting power of words has acquired unparalleled significance. Their capability to kindle emotions, provoke contemplation, and ignite transformative change is truly awe-inspiring. Enter the realm of "**Jlg Scissor Lifts 26mrt Service Repair Workshop Manual P N 3120791**," a mesmerizing literary masterpiece penned by way of a distinguished author, guiding readers on a profound journey to unravel the secrets and potential hidden within every word. In this critique, we shall delve in to the book is central themes, examine its distinctive writing style, and assess its profound effect on the souls of its readers.

<http://www.armchairempire.com/About/book-search/default.aspx/mazda%20mx3%20online%20manual.pdf>

Table of Contents Jlg Scissor Lifts 26mrt Service Repair Workshop Manual P N 3120791

1. Understanding the eBook Jlg Scissor Lifts 26mrt Service Repair Workshop Manual P N 3120791
 - The Rise of Digital Reading Jlg Scissor Lifts 26mrt Service Repair Workshop Manual P N 3120791
 - Advantages of eBooks Over Traditional Books
2. Identifying Jlg Scissor Lifts 26mrt Service Repair Workshop Manual P N 3120791
 - Exploring Different Genres
 - Considering Fiction vs. Non-Fiction
 - Determining Your Reading Goals
3. Choosing the Right eBook Platform
 - Popular eBook Platforms
 - Features to Look for in an Jlg Scissor Lifts 26mrt Service Repair Workshop Manual P N 3120791
 - User-Friendly Interface
4. Exploring eBook Recommendations from Jlg Scissor Lifts 26mrt Service Repair Workshop Manual P N 3120791
 - Personalized Recommendations
 - Jlg Scissor Lifts 26mrt Service Repair Workshop Manual P N 3120791 User Reviews and Ratings
 - Jlg Scissor Lifts 26mrt Service Repair Workshop Manual P N 3120791 and Bestseller Lists

5. Accessing Jlg Scissor Lifts 26mrt Service Repair Workshop Manual P N 3120791 Free and Paid eBooks
 - Jlg Scissor Lifts 26mrt Service Repair Workshop Manual P N 3120791 Public Domain eBooks
 - Jlg Scissor Lifts 26mrt Service Repair Workshop Manual P N 3120791 eBook Subscription Services
 - Jlg Scissor Lifts 26mrt Service Repair Workshop Manual P N 3120791 Budget-Friendly Options
6. Navigating Jlg Scissor Lifts 26mrt Service Repair Workshop Manual P N 3120791 eBook Formats
 - ePub, PDF, MOBI, and More
 - Jlg Scissor Lifts 26mrt Service Repair Workshop Manual P N 3120791 Compatibility with Devices
 - Jlg Scissor Lifts 26mrt Service Repair Workshop Manual P N 3120791 Enhanced eBook Features
7. Enhancing Your Reading Experience
 - Adjustable Fonts and Text Sizes of Jlg Scissor Lifts 26mrt Service Repair Workshop Manual P N 3120791
 - Highlighting and Note-Taking Jlg Scissor Lifts 26mrt Service Repair Workshop Manual P N 3120791
 - Interactive Elements Jlg Scissor Lifts 26mrt Service Repair Workshop Manual P N 3120791
8. Staying Engaged with Jlg Scissor Lifts 26mrt Service Repair Workshop Manual P N 3120791
 - Joining Online Reading Communities
 - Participating in Virtual Book Clubs
 - Following Authors and Publishers Jlg Scissor Lifts 26mrt Service Repair Workshop Manual P N 3120791
9. Balancing eBooks and Physical Books Jlg Scissor Lifts 26mrt Service Repair Workshop Manual P N 3120791
 - Benefits of a Digital Library
 - Creating a Diverse Reading Collection Jlg Scissor Lifts 26mrt Service Repair Workshop Manual P N 3120791
10. Overcoming Reading Challenges
 - Dealing with Digital Eye Strain
 - Minimizing Distractions
 - Managing Screen Time
11. Cultivating a Reading Routine Jlg Scissor Lifts 26mrt Service Repair Workshop Manual P N 3120791
 - Setting Reading Goals Jlg Scissor Lifts 26mrt Service Repair Workshop Manual P N 3120791
 - Carving Out Dedicated Reading Time
12. Sourcing Reliable Information of Jlg Scissor Lifts 26mrt Service Repair Workshop Manual P N 3120791
 - Fact-Checking eBook Content of Jlg Scissor Lifts 26mrt Service Repair Workshop Manual P N 3120791
 - Distinguishing Credible Sources
13. Promoting Lifelong Learning

- Utilizing eBooks for Skill Development
 - Exploring Educational eBooks
14. Embracing eBook Trends
- Integration of Multimedia Elements
 - Interactive and Gamified eBooks

Jlg Scissor Lifts 26mrt Service Repair Workshop Manual P N 3120791 Introduction

In this digital age, the convenience of accessing information at our fingertips has become a necessity. Whether its research papers, eBooks, or user manuals, PDF files have become the preferred format for sharing and reading documents. However, the cost associated with purchasing PDF files can sometimes be a barrier for many individuals and organizations. Thankfully, there are numerous websites and platforms that allow users to download free PDF files legally. In this article, we will explore some of the best platforms to download free PDFs. One of the most popular platforms to download free PDF files is Project Gutenberg. This online library offers over 60,000 free eBooks that are in the public domain. From classic literature to historical documents, Project Gutenberg provides a wide range of PDF files that can be downloaded and enjoyed on various devices. The website is user-friendly and allows users to search for specific titles or browse through different categories. Another reliable platform for downloading Jlg Scissor Lifts 26mrt Service Repair Workshop Manual P N 3120791 free PDF files is Open Library. With its vast collection of over 1 million eBooks, Open Library has something for every reader. The website offers a seamless experience by providing options to borrow or download PDF files. Users simply need to create a free account to access this treasure trove of knowledge. Open Library also allows users to contribute by uploading and sharing their own PDF files, making it a collaborative platform for book enthusiasts. For those interested in academic resources, there are websites dedicated to providing free PDFs of research papers and scientific articles. One such website is Academia.edu, which allows researchers and scholars to share their work with a global audience. Users can download PDF files of research papers, theses, and dissertations covering a wide range of subjects. Academia.edu also provides a platform for discussions and networking within the academic community. When it comes to downloading Jlg Scissor Lifts 26mrt Service Repair Workshop Manual P N 3120791 free PDF files of magazines, brochures, and catalogs, Issuu is a popular choice. This digital publishing platform hosts a vast collection of publications from around the world. Users can search for specific titles or explore various categories and genres. Issuu offers a seamless reading experience with its user-friendly interface and allows users to download PDF files for offline reading. Apart from dedicated platforms, search engines also play a crucial role in finding free PDF files. Google, for instance, has an advanced search feature that allows users to filter results by file type. By specifying the file type as "PDF," users can find websites that offer free PDF downloads on a specific topic.

While downloading Jlg Scissor Lifts 26mrt Service Repair Workshop Manual P N 3120791 free PDF files is convenient, its important to note that copyright laws must be respected. Always ensure that the PDF files you download are legally available for free. Many authors and publishers voluntarily provide free PDF versions of their work, but its essential to be cautious and verify the authenticity of the source before downloading Jlg Scissor Lifts 26mrt Service Repair Workshop Manual P N 3120791. In conclusion, the internet offers numerous platforms and websites that allow users to download free PDF files legally. Whether its classic literature, research papers, or magazines, there is something for everyone. The platforms mentioned in this article, such as Project Gutenberg, Open Library, Academia.edu, and Issuu, provide access to a vast collection of PDF files. However, users should always be cautious and verify the legality of the source before downloading Jlg Scissor Lifts 26mrt Service Repair Workshop Manual P N 3120791 any PDF files. With these platforms, the world of PDF downloads is just a click away.

FAQs About Jlg Scissor Lifts 26mrt Service Repair Workshop Manual P N 3120791 Books

How do I know which eBook platform is the best for me? Finding the best eBook platform depends on your reading preferences and device compatibility. Research different platforms, read user reviews, and explore their features before making a choice. Are free eBooks of good quality? Yes, many reputable platforms offer high-quality free eBooks, including classics and public domain works. However, make sure to verify the source to ensure the eBook credibility. Can I read eBooks without an eReader? Absolutely! Most eBook platforms offer web-based readers or mobile apps that allow you to read eBooks on your computer, tablet, or smartphone. How do I avoid digital eye strain while reading eBooks? To prevent digital eye strain, take regular breaks, adjust the font size and background color, and ensure proper lighting while reading eBooks. What the advantage of interactive eBooks? Interactive eBooks incorporate multimedia elements, quizzes, and activities, enhancing the reader engagement and providing a more immersive learning experience. Jlg Scissor Lifts 26mrt Service Repair Workshop Manual P N 3120791 is one of the best book in our library for free trial. We provide copy of Jlg Scissor Lifts 26mrt Service Repair Workshop Manual P N 3120791 in digital format, so the resources that you find are reliable. There are also many Ebooks of related with Jlg Scissor Lifts 26mrt Service Repair Workshop Manual P N 3120791. Where to download Jlg Scissor Lifts 26mrt Service Repair Workshop Manual P N 3120791 online for free? Are you looking for Jlg Scissor Lifts 26mrt Service Repair Workshop Manual P N 3120791 PDF? This is definitely going to save you time and cash in something you should think about.

Find Jlg Scissor Lifts 26mrt Service Repair Workshop Manual P N 3120791 :

mazda mx3 online manual

[mazda rx 8 rx8 2011 repair service manual](#)

mazda rx7 1986 1988 service repair manual

[mazda rx 7 2 japan import carboy tuning bible series vol9](#)

[mcculloch 484 user manual](#)

[mazya mitrachi aai kavita aunty aani mi](#)

mazda zb engine manual

mcgraw general biology lab manual

[mazda mx6 digital workshop repair manual 1988 1997](#)

mcculloch blower vac manual

mcdougal littell solutions manual for geometry for enjoyment and challenge

[mazda etude workshop manual](#)

[mcgraw hill answers manual business statistics](#)

[mcat raw score conversion 2014](#)

mazde 6 owners manual

Jlg Scissor Lifts 26mrt Service Repair Workshop Manual P N 3120791 :

[daftar pustaka umpo repository - Apr 02 2022](#)

[web aljabar linear bandung c v armico anton howard dan chris rorres 2005 aljabar linear elementer versi aplikasi jilid 1](#)

[jakarta erlangga ayres frank 1984 matriks terjemahan oleh i nyoman susila](#)

aljabar linear elementer versi aplikasi jilid 1 edisi 8 - Oct 08 2022

[web sinopsis buku teks ini adalah versi pengembangan dari aljabar linear elementer edisi kedelapan yang ditulis oleh howard anton sepuluh bab pertama dari buku ini identik dengan sepuluh bab pertama dari buku tersebut bab kesebelas terdiri dari](#)

[21 aplikasi aljabar linear yang diambil dari bidang bisnis ekonomi teknik fisika ilmu komputer](#)

[perpustakaan universitas indonesia buku teks - Aug 06 2022](#)

[web aljabar linear elementer versi aplikasi edisi kedelapan howard anton chris rorres pengarang penulis anton howard](#)

[subjek nomor panggil tahun link terkait deskripsi dokumen status ketersediaan dokumen fisik dokumen yang mirip katalog](#)

[pencarian website perpustakaan ui website ui](#)

anton howard aljabar linear elementer versi aplikasi library - May 03 2022

web perpustakaan digital universitas negeri malang koleksi buku library um ac id koleksi buku 2005 anton howard aljabar linear elementer versi aplikasi howard anton

aljabar linear elementer jilid 2 versi aplikasi elementary linear - Feb 12 2023

web aljabar linear elementer jilid 2 versi aplikasi elementary linear algebra howard anton chris rorres translator irzam harmein editor amalia safitri erlangga 2004

aljabar linear elementer versi aplikasi howard anton chris - Jul 17 2023

web aljabar linear elementer versi aplikasi howard anton chris rorres alih bahasa refina indriasari irzam harmein editor amalia safitri publisher jakarta erlangga publishdate 2004 isbn 9789797414184 url opac lib um ac id oaipmh index php s data bp buku s field 0 mod b cat 3 id 31624

aljabar linear elementer versi aplikasi jilid 1 - Sep 19 2023

web aljabar linear elementer versi aplikasi jilid 1 howard anton chris rorres alih bahasa refina indrisari irzam harmein erlangga 2004 kata kunci

aljabar linear elementer howard anton pdf pdf scribd - Jan 31 2022

web download aljabar linear elementer howard anton pdf fforce you ve done 4 5 you ll get the hang of it constant exposure to high volumes can lead to hearing loss battlefield call of duty i didn t even get a receipt confirmation from ombudsman s office locking up the users in the ps3 what it did it did very

aljabar linear element versi aplikasi 2 jilid howard anton - Mar 13 2023

web aljabar linear element versi aplikasi 2 jilid howard anton chris rorres pengarang anton howard rorres chris anton howard rorres chris edisi edisi 8 penerbitan jakarta erlangga 2004 deskripsi fisik 2 jil 26 cm isbn 9797414191 subjek fisika kuantum bahasa indonesia bentuk karya buku teks umum target pembaca umum

pdf howard anton dasar dasar aljabar linear jilid 1 edisi 7 - Jun 04 2022

web oct 12 2019 howard anton dasar dasar aljabar linear jilid 1 edisi 7 intro20191012 43301 1mt20o6 howard anton dasar dasar aljabar linear jilid 1 edisi 7 intro20191012 43301 1mt20o6 maulia az zahra see full pdf download pdf see full pdf download pdf see full pdf download pdf loading preview

anton howard aljabar linear elementer versi aplikasi - Mar 01 2022

web of this anton howard aljabar linear elementer versi aplikasi can be taken as competently as picked to act elementary linear algebra howard anton 2010 03 15 when it comes to learning linear algebra engineers trust anton the tenth edition presents the key concepts and topics along with engaging and contemporary applications

buku ajar mata kuliah dasar dasar aljabar linear umsida - Jul 05 2022

web aug 16 2021 anton rorres 2000 aljabar linear elementer versi aplikasi edisi kedelapan jilid 1 interaksa publishing company dosen dosen jurusan matematika 1992 matematika dasar 1 jurusan matematika fmipa its surabaya its press emilia sri wahyuni dan yenni susanti 2015 dasar dasar aljabar linear dan penggunaannya

open library aljabar linear elementer versi aplikasi jilid 2 - Apr 14 2023

web katalog judul aljabar linear elementer versi aplikasi jilid 2 isbn 979 741 419 1 kolasi xvi 403 hal 25 cm bahasa [perpustakaan universitas indonesia buku teks](#) - Nov 09 2022

web judul aljabar linear elementer jilid 2 versi aplikasi elementary linear algebra howard anton and chris rorres alih bahasa irzam harmein editor amalia safitri pengarang penulis anton howard subjek linear algebra nomor panggil 512 5 ant et ii 2 512 5 ant et ii 1 link terkait deskripsi dokumen status ketersediaan dokumen

aljabar linier elementer anton and rorres academia edu - Aug 18 2023

web buku aljabar linier versi 9 oleh anton rorres pdf aljabar linier elementer anton and rorres muhammad nufail academia edu academia edu no longer supports internet explorer

aljabar linear elementer howard anton alih bahasa pantur - Dec 10 2022

web oct 18 2023 aljabar linear elementer howard anton alih bahasa pantur silaban i nyoman susila editor rizal hutauruk judul asli elementary linear algebra judul seragam pengarang hutahuruk rizal silaban pantur i nyoman susila anton howard edisi ed 5 cet 5 pernyataan seri penerbitan jakarta erlangga 1995 deskripsi

aljabar linear elementer howard anton chris rorres - Jan 11 2023

web aljabar linear elementer versi aplikasi oleh anton howard et al terbitan 2004 aljabar linear elementer jilid 1 oleh anton howard terbitan 2004

aljabar linier elementer versi aplikasi ed 8 jil 2 howard anton - Jun 16 2023

web aljabar linear elementer versi aplikasi jil 1 oleh anton howard et al terbitan 2004 aljabar linear elementer versi aplikasi jilid 1 oleh howard anton chris rorres alih bahasa refina indriasari irzam harmein terbitan 2006

[aljabar linear elementer versi aplikasi edisi 8 jilid 1 onesearch id](#) - May 15 2023

web aljabar linear elementer versi aplikasi edisi 8 jilid 1 tersimpan di main author anton rorres format book bahasa ind [aljabar linear elementer versi aplikasi jilid 1 upt perpustakaan](#) - Sep 07 2022

web aljabar linear elementer versi aplikasi jilid 1 bagikan howard anton personal name chris rorres personal name baik ketersediaan upn0601922 512 5 my library rak c tersedia upn0601923 aljabar linear info detil spesifik 526 hlm 195x255cm pernyataan tanggungjawab versi lain terkait

designer s color manual the complete guide to color theory and - Dec 10 2022

web book print paper by tom fraser adam banks san francisco calif chronicle books 2004 unt libraries denton willis library

n7432 7 f73 2004

designer s color manual the complete guide to color theory and - Nov 09 2022

web designer s color manual the complete guide to color theory and application adam banks tom fraser published by chronicle books 2004 isbn 10 081184210x isbn 13 9780811842105 seller hpb emerald dallas tx u s a seller rating contact seller book used softcover condition very good us 7 85 convert currency

designer s color manual the complete guide to color th - Jun 16 2023

web jul 8 2004 beyond step by step techniques for managing color in modern graphic design practice designer s color manual also addresses topics which help designers understand color in a variety of disciplines looking at historical color systems color in art and the psychology of color among dozens of other topics author and designer tom fraser

sell buy or rent designer s color manual the complete guide to col - Sep 07 2022

web sell designer s color manual the complete guide to color theory and application 081184210x at booksrun ship for free and get fast cash back

designer s color manual the complete guide to color theory - May 15 2023

web designer s color manual the complete guide to color theory and application by tom fraser adam banks the designer s guide to color binations cabarga crystal reports 8 5 user s guide a plete guide to flexbox css tricks designer s color manual the plete guide to color theory how to create a brand style guide 99designs

designer s color manual the complete guide to col lewis f - Apr 02 2022

web it is your enormously own era to con reviewing habit among guides you could enjoy now is designer s color manual the complete guide to col below moderne sarah schleuning 2008 jacques mile ruhlmann pierre chareau robert mallet stevens charlotte perriand eileen gray together these designers and their contemporaries pioneered the

designer s color manual the complete guide to col - May 03 2022

web designer s color manual the complete guide to col when people should go to the book stores search creation by shop shelf by shelf it is in fact problematic it will no question ease you to look guide designer s color manual the complete guide to col as you such as by searching the title publisher or authors of guide you essentially

designer s color manual the complete guide to color theory - Jul 17 2023

web aug 1 2004 designer s color manual the complete guide to color theory and application tom fraser adam banks on amazon com free shipping on qualifying offers designer s color manual the complete guide to color theory and application

designer s color manual the complete guide to color theory - Jul 05 2022

web ceiling array microphone mxa910 user guides shure designer s color manual the plete guide to color designer screen shades hunter douglas designer s choice amarr garage doors affinity designer workbook the official guide to web design

trends 2018 the plete guide for designers crystal reports 8 5 user s guide bookshelf industrial

designer s color manual the complete guide to color theory - Oct 08 2022

web industrial product design jewelry design colored pencil figure drawing pastel pen ink pencil specific objects fashion designers history models

editions of designer s color manual the complete guide to color - Jan 11 2023

web editions for designer s color manual the complete guide to color theory and application 081184210x paperback published in 2004 8573595930 publishe

designer s color manual the complete guide to color theory - Aug 06 2022

web designer s color manual the complete guide to color theory and application

books similar to designer s color manual the complete guide to color - Jun 04 2022

web find books like designer s color manual the complete guide to color theory and application from the world s largest community of readers goodreads memb

designer s color manual the complete guide to color theory - Sep 19 2023

web chronicle books jul 8 2004 design 224 pages the eye the camera s lens and the computer screen all treat color differently this important addition to the designer s reference

designer s color manual the complete guide to color theory and - Mar 13 2023

web designer s color manual the complete guide to color theory and application by tom fraser adam banks creator banks adam fraser tom isbn 081184210x pbk published created san francisco chronicle books 2004 physical description 224 p col ill 26 cm notes includes index variant titles

designer s color manual the complete guide to col - Mar 01 2022

web designer s color manual the complete guide to col 2 9 downloaded from uniport edu ng on may 26 2023 by guest schedule and the design and presentation tools used by designers space examines ways of composing rooms as spatial environments while speaking to functional and life safety concerns

designer s color manual the complete guide to color theory and - Aug 18 2023

web designer s color manual the complete guide to color theory and application fraser tom free download borrow and streaming internet archive

designer s color manual the complete guide to color theory - Jan 31 2022

web may 20 2023 designer s color manual the complete guide to color theory and application by tom fraser adam banks the plete beginners guide to using canva learn css the plete guide envato tuts web design affinity designer the plete guide to affinity designer designer s color manual the plete guide to color download sharepoint

designer s color manual the complete guide to color theory - Apr 14 2023

web designer s color manual the complete guide to color theory and application by tom fraser adam banks a plete guide to flexbox css tricks june 2nd 2020 our prehensive guide to css flexbox layout this plete guide explains everything about flexbox focusing on all the different possible properties for the parent element the flex container and the child

designer s color manual the complete guide to color theory and - Feb 12 2023

web select search scope currently catalog all catalog articles website more in one search catalog books media more in the stanford libraries collections articles journal articles other e resources

le travail un marcha c pas comme les autres copy uniport edu - Apr 08 2022

web sep 25 2023 le journal live du 25 septembre 2023 by tv plus madagascar bonsoir à tous et merci d avoir choisi tvus madagascar en cette en ce début de semaine voici les

le travail un marché pas comme les autres by jean vercherand - Dec 16 2022

web le travail un marcha c pas comme les autres 1 le travail un marcha c pas comme les autres as recognized adventure as skillfully as experience very nearly lesson

le travail un marcha c pas comme les autres copy uniport edu - Nov 03 2021

web le travail un marché pas comme les autres by jean vercherand permet de comprendre pourquoi le travail a été et reste au cÂ ur de toute la problématique sociale idéologique

la marche un sport comme un autre allodocteurs - Jun 10 2022

web le conjugueur est un site dédié à la conjugaison française vous y trouverez tous les verbes conjugués à tous les temps et tous les modes le conjugueur contient également

le travail un marché pas comme les autres jean vercherand - Jan 05 2022

web le travail un marché pas comme les autres by jean vercherand dfinition march du travail le saint esprit transforme votre vie le monde de demain franais education

le travail un marcha c pas comme les autres pdf uniport edu - Sep 01 2021

le journal live du 25 septembre 2023 by tv plus - Mar 07 2022

web 14387 phrases avec le mot marcha pendant deux heures on marcha à toute vapeur et peu à peu on aperçut plus distinctement émergeant à peine des flots une langue de

jean vercherand le travail un marché pas comme les autres - Aug 24 2023

web référence s jean vercherand le travail un marché pas comme les autres 2006 presses universitaires de rennes collection sociétés rennes 203 p isbn 2

le travail un marcha c pas comme les autres pdf uniport edu - Oct 14 2022

web le travail un marcha c pas comme les autres recognizing the mannerism ways to acquire this ebook le travail un marcha c pas comme les autres is additionally

le travail un marcha c pas comme les autres copy - Jul 11 2022

web oct 3 2018 la marche est un sport accessible à tous gratuit qui peut être pratiqué n importe où alors avant d investir dans des abonnements de centre de remise en forme

le travail un marcha c pas comme les autres g bernard - Sep 13 2022

web aug 15 2023 le travail un marcha c pas comme les autres 1 6 downloaded from uniport edu ng on august 15 2023 by guest le travail un marcha c pas comme les

le travail un marché pas comme les autres by jean vercherand - Dec 04 2021

web favoriser leur insertion cet ouvrage fait le point sur les situations diffrencies que vivent les jeunes et les plus gs les hommes et les femmes ainsi que les groupes ethniques sur le

le travail un marché pas comme les autres de jean - Jul 23 2023

web jun 4 2007 le monde fr 1er site d information sur l actualité retrouvez ici une info de la thématique talents fr du 04 juin 2007 sur le sujet le travail un marché pas

le travail un marcha c pas comme les autres - Nov 15 2022

web apr 12 2023 merely said the le travail un marcha c pas comme les autres is universally compatible with any devices to read macroéconomie marion dieudonnée 2017 08 24 cet

le travail un marché pas comme les autres by jean vercherand - Oct 02 2021

web may 2 2023 le travail un marcha c pas comme les autres 2 7 downloaded from uniport edu ng on may 2 2023 by guest réunir et de bosser ensemble sur l urgent et

14387 phrases avec le mot marcha online english collocation - Feb 06 2022

web apr 1 2006 résumé partant des spécificités historiques du marché du travail l ouvrage de jean vercherand en propose une reconstruction théorique avec des implications

le marché du travail est il un marché comme les autres - Apr 20 2023

web feb 24 2023 we have the funds for le travail un marcha c pas comme les autres and numerous book collections from fictions to scientific research in any way in the

éléments de correction le marché du travail est il un marché - Jun 22 2023

web a le travail n est pas une marchandise comme les autres 1 pour marx seul le travail est capable de créer de la valeur le marché du travail n existe pas c est une fiction pour

le travail un marcha c pas comme les autres pdf uniport edu - Aug 12 2022

web le travail un marcha c pas comme les autres de la physique avant toute chose sep 13 2022 praxis may 17 2020 remède végétal nov 03 2021 jordan a

marcha conjugaison du verbe marcha le conjugueur - May 09 2022

web le travail un marcha c pas comme les autres 1 7 downloaded from uniport edu ng on september 20 2023 by guest le travail un marcha c pas comme les autres thank

le travail un marché pas comme les autres decitre - May 21 2023

web apr 1 2006 partant des spécificités historiques du marché du travail l ouvrage de jean vercherand en propose une reconstruction théorique avec des implications importantes

le marché du travail est il un marché comme les autres - Feb 18 2023

web le travail un marcha c pas comme les autres le nouveau testament jun 18 2021 ostervald 1770 1771 bible Études de la nature nouvelle édition revue corrigée et

le travail un marcha c pas comme les autres - Mar 19 2023

web elle disait qu au fond le marché du travail n est pas un marché comme un autre le marché du travail c est un système d exploitation de la main d œuvre par les détenteurs

read free le travail un marcha c pas comme les autres - Jan 17 2023

web microéconomiques débouche sur deux problèmes cruciaux de régulation économique le partage de la valeur ajoutée et celui du travail dans la société au delà il permet de