

Page Thumb... X

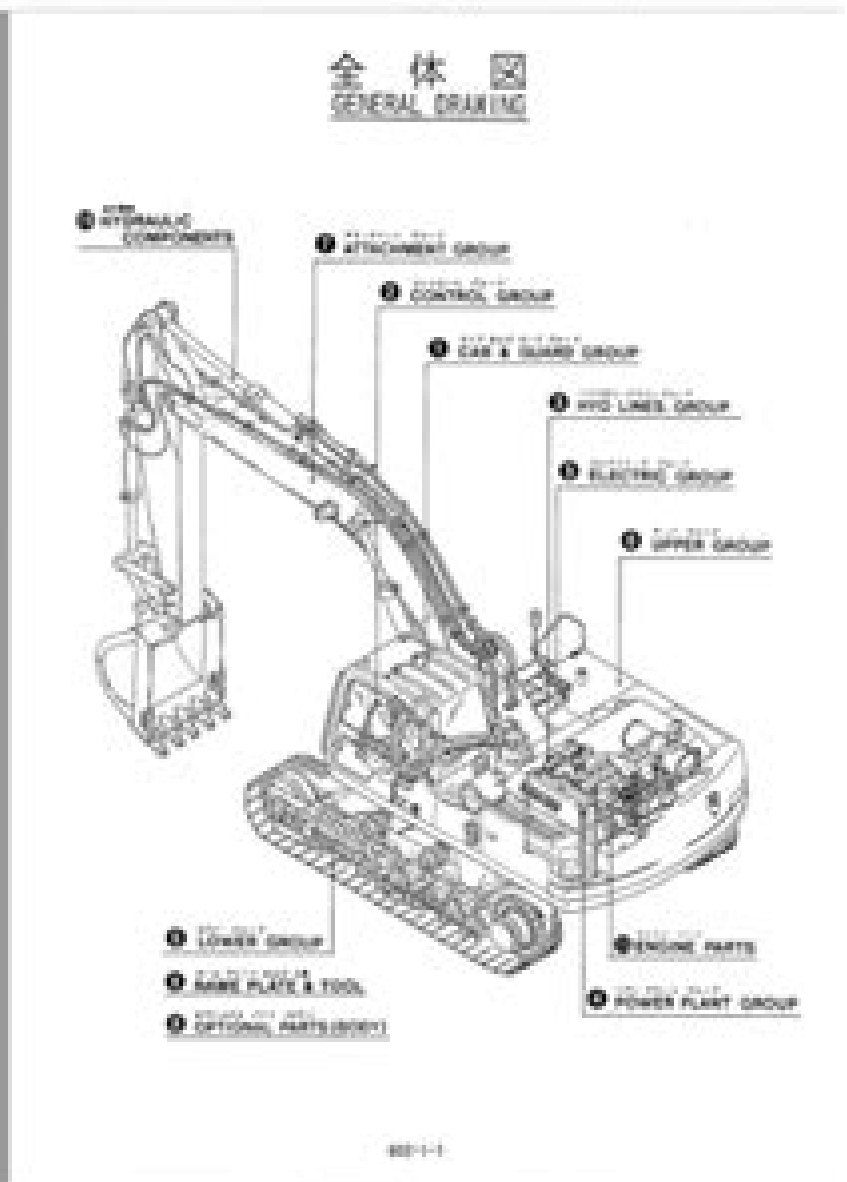
Navigation icons: Grid, Delete, Rotate

Thumbnail 11

Thumbnail 12 (highlighted)

Thumbnail 13

Thumbnail 14



Kobelco Sk430 3 Sk430lc 3 Crawler Excavator Parts Manual Instant

VM Jensen



Kobelco Sk430 3 Sk430lc 3 Crawler Excavator Parts Manual Instant:

The Captivating World of Kindle Books: A Detailed Guide Unveiling the Benefits of Kindle Books: A World of Convenience and Versatility Kindle books, with their inherent mobility and ease of access, have freed readers from the constraints of physical books. Gone are the days of lugging bulky novels or meticulously searching for specific titles in bookstores. Kindle devices, sleek and portable, effortlessly store an extensive library of books, allowing readers to indulge in their preferred reads anytime, anywhere. Whether commuting on a bustling train, lounging on a sun-kissed beach, or just cozying up in bed, Kindle books provide an unparalleled level of ease. A Reading World Unfolded: Discovering the Vast Array of E-book Kobelco Sk430 3 Sk430lc 3 Crawler Excavator Parts Manual Instant The Kindle Store, a virtual treasure trove of literary gems, boasts an extensive collection of books spanning varied genres, catering to every readers taste and preference. From gripping fiction and mind-stimulating non-fiction to timeless classics and modern bestsellers, the Kindle Shop offers an unparalleled abundance of titles to discover. Whether seeking escape through engrossing tales of imagination and exploration, diving into the depths of historical narratives, or expanding ones knowledge with insightful works of science and philosophical, the Kindle Store provides a doorway to a bookish universe brimming with endless possibilities. A Game-changing Factor in the Bookish Landscape: The Enduring Influence of E-book Books Kobelco Sk430 3 Sk430lc 3 Crawler Excavator Parts Manual Instant The advent of E-book books has unquestionably reshaped the bookish landscape, introducing a model shift in the way books are released, disseminated, and read. Traditional publishing houses have embraced the online revolution, adapting their approaches to accommodate the growing demand for e-books. This has led to a rise in the accessibility of E-book titles, ensuring that readers have entry to a vast array of literary works at their fingertips. Moreover, Kindle books have democratized entry to books, breaking down geographical limits and offering readers worldwide with equal opportunities to engage with the written word. Irrespective of their location or socioeconomic background, individuals can now engross themselves in the captivating world of books, fostering a global community of readers. Conclusion: Embracing the E-book Experience Kobelco Sk430 3 Sk430lc 3 Crawler Excavator Parts Manual Instant Kindle books Kobelco Sk430 3 Sk430lc 3 Crawler Excavator Parts Manual Instant, with their inherent ease, flexibility, and vast array of titles, have certainly transformed the way we experience literature. They offer readers the freedom to discover the boundless realm of written expression, anytime, everywhere. As we continue to travel the ever-evolving digital landscape, Kindle books stand as testament to the lasting power of storytelling, ensuring that the joy of reading remains accessible to all.

http://www.armchairempire.com/files/uploaded-files/default.aspx/Groen_Land_Zwarte_Mensen.pdf

Table of Contents Kobelco Sk430 3 Sk430lc 3 Crawler Excavator Parts Manual Instant

1. Understanding the eBook Kobelco Sk430 3 Sk430lc 3 Crawler Excavator Parts Manual Instant
 - The Rise of Digital Reading Kobelco Sk430 3 Sk430lc 3 Crawler Excavator Parts Manual Instant
 - Advantages of eBooks Over Traditional Books
2. Identifying Kobelco Sk430 3 Sk430lc 3 Crawler Excavator Parts Manual Instant
 - Exploring Different Genres
 - Considering Fiction vs. Non-Fiction
 - Determining Your Reading Goals
3. Choosing the Right eBook Platform
 - Popular eBook Platforms
 - Features to Look for in an Kobelco Sk430 3 Sk430lc 3 Crawler Excavator Parts Manual Instant
 - User-Friendly Interface
4. Exploring eBook Recommendations from Kobelco Sk430 3 Sk430lc 3 Crawler Excavator Parts Manual Instant
 - Personalized Recommendations
 - Kobelco Sk430 3 Sk430lc 3 Crawler Excavator Parts Manual Instant User Reviews and Ratings
 - Kobelco Sk430 3 Sk430lc 3 Crawler Excavator Parts Manual Instant and Bestseller Lists
5. Accessing Kobelco Sk430 3 Sk430lc 3 Crawler Excavator Parts Manual Instant Free and Paid eBooks
 - Kobelco Sk430 3 Sk430lc 3 Crawler Excavator Parts Manual Instant Public Domain eBooks
 - Kobelco Sk430 3 Sk430lc 3 Crawler Excavator Parts Manual Instant eBook Subscription Services
 - Kobelco Sk430 3 Sk430lc 3 Crawler Excavator Parts Manual Instant Budget-Friendly Options
6. Navigating Kobelco Sk430 3 Sk430lc 3 Crawler Excavator Parts Manual Instant eBook Formats
 - ePub, PDF, MOBI, and More
 - Kobelco Sk430 3 Sk430lc 3 Crawler Excavator Parts Manual Instant Compatibility with Devices
 - Kobelco Sk430 3 Sk430lc 3 Crawler Excavator Parts Manual Instant Enhanced eBook Features
7. Enhancing Your Reading Experience
 - Adjustable Fonts and Text Sizes of Kobelco Sk430 3 Sk430lc 3 Crawler Excavator Parts Manual Instant
 - Highlighting and Note-Taking Kobelco Sk430 3 Sk430lc 3 Crawler Excavator Parts Manual Instant
 - Interactive Elements Kobelco Sk430 3 Sk430lc 3 Crawler Excavator Parts Manual Instant

8. Staying Engaged with Kobelco Sk430 3 Sk430lc 3 Crawler Excavator Parts Manual Instant
 - Joining Online Reading Communities
 - Participating in Virtual Book Clubs
 - Following Authors and Publishers Kobelco Sk430 3 Sk430lc 3 Crawler Excavator Parts Manual Instant
9. Balancing eBooks and Physical Books Kobelco Sk430 3 Sk430lc 3 Crawler Excavator Parts Manual Instant
 - Benefits of a Digital Library
 - Creating a Diverse Reading Collection Kobelco Sk430 3 Sk430lc 3 Crawler Excavator Parts Manual Instant
10. Overcoming Reading Challenges
 - Dealing with Digital Eye Strain
 - Minimizing Distractions
 - Managing Screen Time
11. Cultivating a Reading Routine Kobelco Sk430 3 Sk430lc 3 Crawler Excavator Parts Manual Instant
 - Setting Reading Goals Kobelco Sk430 3 Sk430lc 3 Crawler Excavator Parts Manual Instant
 - Carving Out Dedicated Reading Time
12. Sourcing Reliable Information of Kobelco Sk430 3 Sk430lc 3 Crawler Excavator Parts Manual Instant
 - Fact-Checking eBook Content of Kobelco Sk430 3 Sk430lc 3 Crawler Excavator Parts Manual Instant
 - Distinguishing Credible Sources
13. Promoting Lifelong Learning
 - Utilizing eBooks for Skill Development
 - Exploring Educational eBooks
14. Embracing eBook Trends
 - Integration of Multimedia Elements
 - Interactive and Gamified eBooks

Kobelco Sk430 3 Sk430lc 3 Crawler Excavator Parts Manual Instant Introduction

Kobelco Sk430 3 Sk430lc 3 Crawler Excavator Parts Manual Instant Offers over 60,000 free eBooks, including many classics that are in the public domain. Open Library: Provides access to over 1 million free eBooks, including classic literature and contemporary works. Kobelco Sk430 3 Sk430lc 3 Crawler Excavator Parts Manual Instant Offers a vast collection of books, some of which are available for free as PDF downloads, particularly older books in the public domain. Kobelco Sk430 3 Sk430lc 3 Crawler Excavator Parts Manual Instant : This website hosts a vast collection of scientific articles, books, and

textbooks. While it operates in a legal gray area due to copyright issues, its a popular resource for finding various publications. Internet Archive for Kobelco Sk430 3 Sk430lc 3 Crawler Excavator Parts Manual Instant : Has an extensive collection of digital content, including books, articles, videos, and more. It has a massive library of free downloadable books. Free-eBooks Kobelco Sk430 3 Sk430lc 3 Crawler Excavator Parts Manual Instant Offers a diverse range of free eBooks across various genres. Kobelco Sk430 3 Sk430lc 3 Crawler Excavator Parts Manual Instant Focuses mainly on educational books, textbooks, and business books. It offers free PDF downloads for educational purposes. Kobelco Sk430 3 Sk430lc 3 Crawler Excavator Parts Manual Instant Provides a large selection of free eBooks in different genres, which are available for download in various formats, including PDF. Finding specific Kobelco Sk430 3 Sk430lc 3 Crawler Excavator Parts Manual Instant, especially related to Kobelco Sk430 3 Sk430lc 3 Crawler Excavator Parts Manual Instant, might be challenging as theyre often artistic creations rather than practical blueprints. However, you can explore the following steps to search for or create your own Online Searches: Look for websites, forums, or blogs dedicated to Kobelco Sk430 3 Sk430lc 3 Crawler Excavator Parts Manual Instant, Sometimes enthusiasts share their designs or concepts in PDF format. Books and Magazines Some Kobelco Sk430 3 Sk430lc 3 Crawler Excavator Parts Manual Instant books or magazines might include. Look for these in online stores or libraries. Remember that while Kobelco Sk430 3 Sk430lc 3 Crawler Excavator Parts Manual Instant, sharing copyrighted material without permission is not legal. Always ensure youre either creating your own or obtaining them from legitimate sources that allow sharing and downloading. Library Check if your local library offers eBook lending services. Many libraries have digital catalogs where you can borrow Kobelco Sk430 3 Sk430lc 3 Crawler Excavator Parts Manual Instant eBooks for free, including popular titles. Online Retailers: Websites like Amazon, Google Books, or Apple Books often sell eBooks. Sometimes, authors or publishers offer promotions or free periods for certain books. Authors Website Occasionally, authors provide excerpts or short stories for free on their websites. While this might not be the Kobelco Sk430 3 Sk430lc 3 Crawler Excavator Parts Manual Instant full book , it can give you a taste of the authors writing style. Subscription Services Platforms like Kindle Unlimited or Scribd offer subscription-based access to a wide range of Kobelco Sk430 3 Sk430lc 3 Crawler Excavator Parts Manual Instant eBooks, including some popular titles.

FAQs About Kobelco Sk430 3 Sk430lc 3 Crawler Excavator Parts Manual Instant Books

1. Where can I buy Kobelco Sk430 3 Sk430lc 3 Crawler Excavator Parts Manual Instant books? Bookstores: Physical bookstores like Barnes & Noble, Waterstones, and independent local stores. Online Retailers: Amazon, Book Depository, and various online bookstores offer a wide range of books in physical and digital formats.

2. What are the different book formats available? Hardcover: Sturdy and durable, usually more expensive. Paperback: Cheaper, lighter, and more portable than hardcovers. E-books: Digital books available for e-readers like Kindle or software like Apple Books, Kindle, and Google Play Books.
3. How do I choose a Kobelco Sk430 3 Sk430lc 3 Crawler Excavator Parts Manual Instant book to read? Genres: Consider the genre you enjoy (fiction, non-fiction, mystery, sci-fi, etc.). Recommendations: Ask friends, join book clubs, or explore online reviews and recommendations. Author: If you like a particular author, you might enjoy more of their work.
4. How do I take care of Kobelco Sk430 3 Sk430lc 3 Crawler Excavator Parts Manual Instant books? Storage: Keep them away from direct sunlight and in a dry environment. Handling: Avoid folding pages, use bookmarks, and handle them with clean hands. Cleaning: Gently dust the covers and pages occasionally.
5. Can I borrow books without buying them? Public Libraries: Local libraries offer a wide range of books for borrowing. Book Swaps: Community book exchanges or online platforms where people exchange books.
6. How can I track my reading progress or manage my book collection? Book Tracking Apps: Goodreads, LibraryThing, and Book Catalogue are popular apps for tracking your reading progress and managing book collections. Spreadsheets: You can create your own spreadsheet to track books read, ratings, and other details.
7. What are Kobelco Sk430 3 Sk430lc 3 Crawler Excavator Parts Manual Instant audiobooks, and where can I find them? Audiobooks: Audio recordings of books, perfect for listening while commuting or multitasking. Platforms: Audible, LibriVox, and Google Play Books offer a wide selection of audiobooks.
8. How do I support authors or the book industry? Buy Books: Purchase books from authors or independent bookstores. Reviews: Leave reviews on platforms like Goodreads or Amazon. Promotion: Share your favorite books on social media or recommend them to friends.
9. Are there book clubs or reading communities I can join? Local Clubs: Check for local book clubs in libraries or community centers. Online Communities: Platforms like Goodreads have virtual book clubs and discussion groups.
10. Can I read Kobelco Sk430 3 Sk430lc 3 Crawler Excavator Parts Manual Instant books for free? Public Domain Books: Many classic books are available for free as they're in the public domain. Free E-books: Some websites offer free e-books legally, like Project Gutenberg or Open Library.

Find Kobelco Sk430 3 Sk430lc 3 Crawler Excavator Parts Manual Instant :

[groen land zwarte mensen](#)

[groot museumboekgellustreerde gids langs 660 musea van nederland](#)

[gsxr 750 k7 owners manual](#)

[grundwerte europas toleranz wert vielfalt](#)

[gsp30a manual](#)

[gsxr 600 electrical system manual](#)

[grove rt522 service manual](#)

guia completa de los simpson simpson albumes

griechenlands perlen kreta santorin wandkalender

[group vbs kingdom rock coloring sheets](#)

grove sm2632e manual

[gt245 manual](#)

guerrilla marketing for dummies paperback 2008 author jonathan margolis patrick garrigan

[grundig yb400pe radio repair manual](#)

[guardians of the roman empire trade editions](#)

Kobelco Sk430 3 Sk430lc 3 Crawler Excavator Parts Manual Instant :

SL4640 SL4840 SL5640 SL6640 Skid-Steer Loaders Operators must have instructions before running the machine.

Untrained operators can cause injury or death. Read Operator's Manual before using machine. CORRECT. Service Manual Gehl SL3510 SL3610 Skid Steer Loader Service Manual Gehl SL3510 SL3610 Skid Steer Loader · Book details · Product information · Important information · Additional DetailsAdditional Details. Skid Steer Loader Manuals & Books for Gehl Get the best deals on Skid Steer Loader Manuals & Books for Gehl when you shop the largest online selection at eBay.com. Free shipping on many items ... Gehl 000-88025 Service Manual Home /; Product details /; Service Manual. Share Print. Service Manual - 0. Gehl. Service Manual. SKU: 000-88025. See Full Details. Availability varies Gehl Heavy Equipment Manuals & Books for Gehl Skid ... Get the best deals on Gehl Heavy Equipment Manuals & Books for Gehl Skid Steer Loader when you shop the largest online selection at eBay.com. Gehl Manuals | Parts, Service, Repair and Owners Manuals Gehl manuals are a must for the DIY person, offering part numbers, service and repair information, as well as original owners / operators instructions and ... Gehl SL3510 Skid Steer Loader Service Manual Our Repair Manual, also known as service manual or shop manual show you how to disassemble and reassemble your tractor. These manuals are authentic ... All Gehl Manuals All Gehl Service Repair & Operator & Owner Manuals. Gehl CTL75 Compact Track Loader Service Repair Manual. \$45.00. Gehl CTL80 Compact Track Loader Service ... Service Manual fits Gehl SL3610 SL3510 Compatible with Gehl Skid Steer Loader(s)

SL3510, SL3610; Chassis Only; Pages: 100; Numbered pictures give great detail on assembly and disassembly ... Gehl Skid Steer Service Manual A-GE-S-5625 346 pages - Gehl 5625 Skid Loader (S/N 8868 and UP) Service Manual (SVC); Pages : 346. Sections and Models: Manuals > Manuals; Gehl SKID STEER LOADER: 5625 ... Powertec Assembly Builds These videos show the assembly process for all of the Powertec Levergym, Strength, Racks, Cables, and Accessories. Thank you for purchasing your new Powertec equipment. To maximize the use of this equipment, please take a moment to study, understand and familiarize with the assembly instructions and follow the sequence of steps ... WORK BENCH - PowerTec Do not attempt to assemble or operate your work bench until you have read the safety instructions in this section. • Only use your work bench on a hard, dry and. POWERTEC WB-MS14 MANUAL Pdf Download Place the bench press base over the bolts that come out of the lat pulldown base. Page 21 Bolt #72 Bolt #72 Using 2 x #72 bolts, with washers each side. Please ... PowerTec WB-MS16 Manual View and Download PowerTec WB-MS16 manual online. Workbench Multi System. WB-MS16 tool storage pdf manual download. Powertec Power Rack WB-PR16 Assembly guide Powertec Power Rack WB-PR16. Assembly guide. Before starting the assembly ... When assembling the machine do not tighten the bolts and nuts until after you. User manual Powertec WB-LS16 (English - 21 pages) Manual. View the manual for the Powertec WB-LS16 here, for free. This manual comes under the category fitness equipment and has been rated by 1 people with ... powertec® - workbench Assembly instructions, be careful to follow the sequence as provided in this Manual. Important Note: Do Not fully tighten bolts until assembly has been ... Walls: Travels Along the Barricades by Marcello Di Cintio In this ambitious first person narrative, Marcello Di Cintio shares tea with Saharan refugees on the wrong side of Morocco's desert wall. He meets with illegal ... Walls: Travels Along the Barricades - Marcello Di Cintio A perfect mix of fact and vivid first-person narrative leaves you feeling that you've witnessed death-defying acts of bravery, and fallen ill with Wall Disease... Walls: Travels Along the Barricades by Di Cintio, Marcello In this ambitious blend of travel and reportage, Marcello Di Cintio travels to the world's most disputed edges to meet the people who live alongside the ... Walls: Travels Along the Barricades by Marcello Di Cintio, ... In this ambitious first person narrative, Marcello Di Cintio shares tea with Saharan refugees on the wrong side of Morocco's desert wall. He meets with illegal ... Walls: Travels Along the Barricades by Marcello Di Cintio Aug 10, 2013 — A tour of the world's most disputed border areas becomes a forceful study in human suffering, writes Anthony Sattin. Walls: Travels Along the Barricades - Marcello Di Cintio In this ambitious blend of travel and reportage, Marcello Di Cintio travels to the world's most disputed edges to meet the people who live alongside the ... Walls Aug 20, 2013 — Marcello Di Cintio is the author of four books including Walls: Travels Along the Barricades which won the Shaughnessy Cohen Prize for Political ... Walls ... Travel Book Award. Reviews. "Walls: Travels Along the Barricades offers unique perspectives on some of the most divided regions of the planet while forcing ... Walls: Travels Along the Barricades Aug 20, 2013 — What does it mean to live against a wall? In this ambitious first person narrative, Marcello Di Cintio travels to the world's most disputed ...

Walls : travels along the barricades : Di Cintio, Marcello, 1973 May 6, 2021 — A line drawing of the Internet Archive headquarters building façade.