

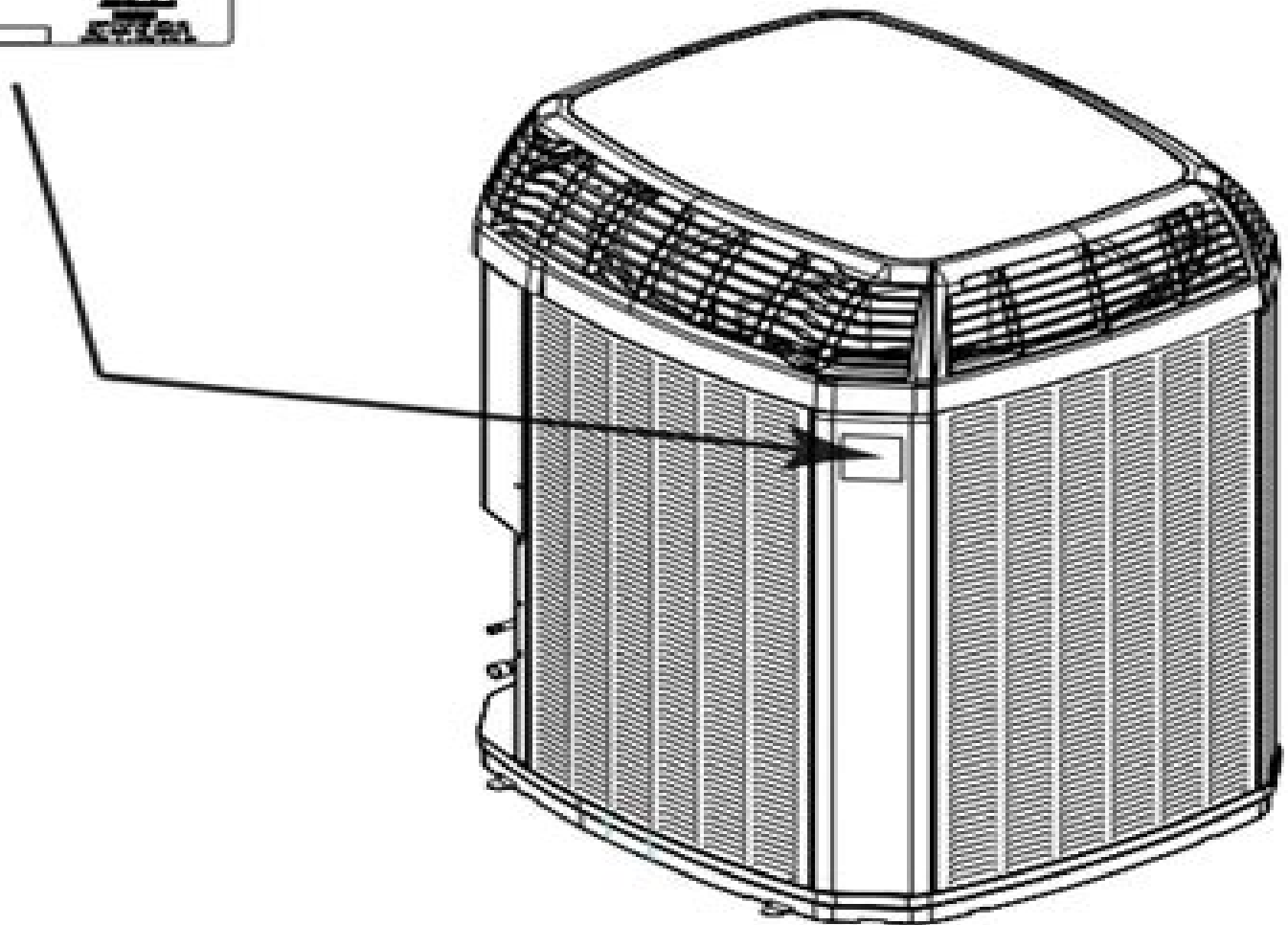


MODEL NO.		SERIAL NO.	
DEFUAL NO.	PH	NO	NO
REVERSE CIRCUIT AMPLIFY		AMPS	
OVERCURRENT PROTECTIVE DEVICE		USA CANADA	
RMS FUSE / BREAKER (AMPS)			
USE	USE	USE	USE
<input type="checkbox"/> INDOOR USE <input type="checkbox"/> OUTDOOR USE			
COMP. REF.     SLA     S     LMA U.S. REF.     T.L.P.     S     MP U.S.A. NO.     P. NO.			
			



# Guide Installer 4twx5 Trane

**Charles J. Paschke**



## **Guide Installer 4twx5 Trane:**

**Do-It-Yourself In-Floor Radiant Heat Installation Guide** Charles J. Paschke,2012-12-05 This do it yourself in floor radiant heat installation guide is very basic If you have a garage or outbuilding that you want to heat with radiant heat the book will give you information about how to install it yourself using a hot water heater for the heat source This is not an engineering manual It has hand drawn schematics and pictures for installing a simple heating system

Ignite the flame of optimism with is motivational masterpiece, Find Positivity in **Guide Installer 4twx5 Trane** . In a downloadable PDF format ( \*), this ebook is a beacon of encouragement. Download now and let the words propel you towards a brighter, more motivated tomorrow.

[http://www.armchairempire.com/data/browse/default.aspx/guppies\\_mollies\\_and\\_platys\\_complete\\_pet\\_owners\\_manual.pdf](http://www.armchairempire.com/data/browse/default.aspx/guppies_mollies_and_platys_complete_pet_owners_manual.pdf)

## **Table of Contents Guide Installer 4twx5 Trane**

1. Understanding the eBook Guide Installer 4twx5 Trane
  - The Rise of Digital Reading Guide Installer 4twx5 Trane
  - Advantages of eBooks Over Traditional Books
2. Identifying Guide Installer 4twx5 Trane
  - Exploring Different Genres
  - Considering Fiction vs. Non-Fiction
  - Determining Your Reading Goals
3. Choosing the Right eBook Platform
  - Popular eBook Platforms
  - Features to Look for in an Guide Installer 4twx5 Trane
  - User-Friendly Interface
4. Exploring eBook Recommendations from Guide Installer 4twx5 Trane
  - Personalized Recommendations
  - Guide Installer 4twx5 Trane User Reviews and Ratings
  - Guide Installer 4twx5 Trane and Bestseller Lists
5. Accessing Guide Installer 4twx5 Trane Free and Paid eBooks
  - Guide Installer 4twx5 Trane Public Domain eBooks
  - Guide Installer 4twx5 Trane eBook Subscription Services
  - Guide Installer 4twx5 Trane Budget-Friendly Options
6. Navigating Guide Installer 4twx5 Trane eBook Formats

- ePub, PDF, MOBI, and More
  - Guide Installer 4twx5 Trane Compatibility with Devices
  - Guide Installer 4twx5 Trane Enhanced eBook Features
7. Enhancing Your Reading Experience
    - Adjustable Fonts and Text Sizes of Guide Installer 4twx5 Trane
    - Highlighting and Note-Taking Guide Installer 4twx5 Trane
    - Interactive Elements Guide Installer 4twx5 Trane
  8. Staying Engaged with Guide Installer 4twx5 Trane
    - Joining Online Reading Communities
    - Participating in Virtual Book Clubs
    - Following Authors and Publishers Guide Installer 4twx5 Trane
  9. Balancing eBooks and Physical Books Guide Installer 4twx5 Trane
    - Benefits of a Digital Library
    - Creating a Diverse Reading Collection Guide Installer 4twx5 Trane
  10. Overcoming Reading Challenges
    - Dealing with Digital Eye Strain
    - Minimizing Distractions
    - Managing Screen Time
  11. Cultivating a Reading Routine Guide Installer 4twx5 Trane
    - Setting Reading Goals Guide Installer 4twx5 Trane
    - Carving Out Dedicated Reading Time
  12. Sourcing Reliable Information of Guide Installer 4twx5 Trane
    - Fact-Checking eBook Content of Guide Installer 4twx5 Trane
    - Distinguishing Credible Sources
  13. Promoting Lifelong Learning
    - Utilizing eBooks for Skill Development
    - Exploring Educational eBooks
  14. Embracing eBook Trends
    - Integration of Multimedia Elements
    - Interactive and Gamified eBooks

## Guide Installer 4twx5 Trane Introduction

Guide Installer 4twx5 Trane Offers over 60,000 free eBooks, including many classics that are in the public domain. Open Library: Provides access to over 1 million free eBooks, including classic literature and contemporary works. Guide Installer 4twx5 Trane Offers a vast collection of books, some of which are available for free as PDF downloads, particularly older books in the public domain. Guide Installer 4twx5 Trane : This website hosts a vast collection of scientific articles, books, and textbooks. While it operates in a legal gray area due to copyright issues, its a popular resource for finding various publications. Internet Archive for Guide Installer 4twx5 Trane : Has an extensive collection of digital content, including books, articles, videos, and more. It has a massive library of free downloadable books. Free-eBooks Guide Installer 4twx5 Trane Offers a diverse range of free eBooks across various genres. Guide Installer 4twx5 Trane Focuses mainly on educational books, textbooks, and business books. It offers free PDF downloads for educational purposes. Guide Installer 4twx5 Trane Provides a large selection of free eBooks in different genres, which are available for download in various formats, including PDF. Finding specific Guide Installer 4twx5 Trane, especially related to Guide Installer 4twx5 Trane, might be challenging as theyre often artistic creations rather than practical blueprints. However, you can explore the following steps to search for or create your own Online Searches: Look for websites, forums, or blogs dedicated to Guide Installer 4twx5 Trane, Sometimes enthusiasts share their designs or concepts in PDF format. Books and Magazines Some Guide Installer 4twx5 Trane books or magazines might include. Look for these in online stores or libraries. Remember that while Guide Installer 4twx5 Trane, sharing copyrighted material without permission is not legal. Always ensure youre either creating your own or obtaining them from legitimate sources that allow sharing and downloading. Library Check if your local library offers eBook lending services. Many libraries have digital catalogs where you can borrow Guide Installer 4twx5 Trane eBooks for free, including popular titles. Online Retailers: Websites like Amazon, Google Books, or Apple Books often sell eBooks. Sometimes, authors or publishers offer promotions or free periods for certain books. Authors Website Occasionally, authors provide excerpts or short stories for free on their websites. While this might not be the Guide Installer 4twx5 Trane full book , it can give you a taste of the authors writing style. Subscription Services Platforms like Kindle Unlimited or Scribd offer subscription-based access to a wide range of Guide Installer 4twx5 Trane eBooks, including some popular titles.

## FAQs About Guide Installer 4twx5 Trane Books

1. Where can I buy Guide Installer 4twx5 Trane books? Bookstores: Physical bookstores like Barnes & Noble, Waterstones, and independent local stores. Online Retailers: Amazon, Book Depository, and various online bookstores

- offer a wide range of books in physical and digital formats.
2. What are the different book formats available? Hardcover: Sturdy and durable, usually more expensive. Paperback: Cheaper, lighter, and more portable than hardcovers. E-books: Digital books available for e-readers like Kindle or software like Apple Books, Kindle, and Google Play Books.
  3. How do I choose a Guide Installer 4twx5 Trane book to read? Genres: Consider the genre you enjoy (fiction, non-fiction, mystery, sci-fi, etc.). Recommendations: Ask friends, join book clubs, or explore online reviews and recommendations. Author: If you like a particular author, you might enjoy more of their work.
  4. How do I take care of Guide Installer 4twx5 Trane books? Storage: Keep them away from direct sunlight and in a dry environment. Handling: Avoid folding pages, use bookmarks, and handle them with clean hands. Cleaning: Gently dust the covers and pages occasionally.
  5. Can I borrow books without buying them? Public Libraries: Local libraries offer a wide range of books for borrowing. Book Swaps: Community book exchanges or online platforms where people exchange books.
  6. How can I track my reading progress or manage my book collection? Book Tracking Apps: Goodreads, LibraryThing, and Book Catalogue are popular apps for tracking your reading progress and managing book collections. Spreadsheets: You can create your own spreadsheet to track books read, ratings, and other details.
  7. What are Guide Installer 4twx5 Trane audiobooks, and where can I find them? Audiobooks: Audio recordings of books, perfect for listening while commuting or multitasking. Platforms: Audible, LibriVox, and Google Play Books offer a wide selection of audiobooks.
  8. How do I support authors or the book industry? Buy Books: Purchase books from authors or independent bookstores. Reviews: Leave reviews on platforms like Goodreads or Amazon. Promotion: Share your favorite books on social media or recommend them to friends.
  9. Are there book clubs or reading communities I can join? Local Clubs: Check for local book clubs in libraries or community centers. Online Communities: Platforms like Goodreads have virtual book clubs and discussion groups.
  10. Can I read Guide Installer 4twx5 Trane books for free? Public Domain Books: Many classic books are available for free as they're in the public domain. Free E-books: Some websites offer free e-books legally, like Project Gutenberg or Open Library.

**Find Guide Installer 4twx5 Trane :**

**guppies mollies and platys complete pet owners manual**

~~gust alleviator and rigidity augmentor for supersonic airplanes ias paper no 62-1~~

**gusta norman meisjesboek gellustreerd door frans van noorden**

**gwt java ajax programming chaganti prabhakar**

*guided reading lesson plans 1st grade*

*guidelines for perinatal care guidelines for perinatal care aapacog*

hack multichoice system

**gutzon borglum his life and works**

haier washing machine manual hwmp50f

haier television repair manuals service manual

gymnastique sonore pour visage corps

~~gute besserung pauli deutsch russisch herunterladen~~

**gutenberg online books**

**gurus hired guns and warm bodies itinerant experts in a knowledge economy**

haier dryer instruction manual

### **Guide Installer 4twx5 Trane :**

formats and editions of the aims of argument worldcat org - Sep 04 2022

web date edition publication 1 the aims of argument a text and reader 1 the aims of argument a text and reader by timothy w  
crusius carolyn e channell print book english 2016 eighth edition new york mcgraw hill education 2 the aims of argument a  
text and reader mla updated edition 2

a practical study of argument seventh edition - Nov 06 2022

web features new to the seventh edition updated examples and exercises throughout electronically available exercises  
developed by dr jim freeman reordering of chapters on language and on good argument with the former now coming before  
the latter for pedagogical reasons reordering of material within the chapter on language so

**the aims of argument text and reader buy 9780077343798** - Jul 14 2023

web nov 8 2010 the aims of argument text and reader edition 7th edition isbn 13 978 0077343798 format paperback  
softback publisher mcgraw hill humanities social sciences languages 11 8 2010 copyright 2011 dimensions

*the aims of argument a rhetoric and reader goodreads* - Aug 03 2022

web jan 1 1995 2 75 4 ratings0 reviews the aims of argument is a process oriented introduction to argumentation with  
unique coverage of the aims or purposes of argument to inquire to convince to persuade and to mediate



**the aims of argument 7th edition copy thor byteorbit** - Jan 08 2023

web the aims of argument a brief guide 7th edition amazon com aims of argument text reader 7th edition amazon co uk the aims of argument seventh edition s2 kora com

[aims of argument text reader 7th edition amazon com](#) - Aug 15 2023

web nov 8 2009 the amazon book review book recommendations author interviews editors picks and more read it now product details asin b004xskojw publisher mcgraw hill humanities social sciences l 7th edition november 8 2009 best sellers rank 4 046 002 in books see top 100 in books 5 394 in rhetoric books

[aims of argument 7th edition book cyberlab sutd edu sg](#) - Jul 02 2022

web the aims of argument aug 05 2021 presents a process oriented introduction to argumentation with coverage of the aims or purposes of argument to inquire to convince to persuade and to mediate in contrast to other approaches the focus on aims provides rhetorical context that helps students write as well as read arguments a

*download free aims of argument 7th edition free download pdf* - Feb 09 2023

web jul 18 2023 download free aims of argument 7th edition free download pdf a practical study of argument enhanced edition the aims of argument a brief guide elements of argument 7e working with sources structure of argument 7th ed re writing plus critical thinking and communication structure of argument 7th ed

**the aims of argument 7th edition ebay** - Jan 28 2022

web the aims of argument 7th edition something went wrong view cart for details

**aims of argument 7th edition secure4 khronos** - Dec 27 2021

web jun 26 2023 aims of argument 7th edition aims of argument 7th edition aims of argument text reader 7th edition moraro de aims of argument text and reader 7th edition aims of argument 7th edition ekmtop de the aims of argument a text and reader edition 8 by aims of argument text amp reader 7th edition amazon com

[aims of argument 7th edition secure4 khronos](#) - Mar 30 2022

web referred aims of argument 7th edition books that will find the money for you worth get the unquestionably best seller from us currently speaking from various selected authors

*the aims of argument a text and reader 8th edition* - May 12 2023

web the aims of argument a comprehensive text for teaching argument recognizes that people argue with a range of purposes in mind to inquire to convince to persuade and to negotiate it offers a clear logical learning sequence rather than merely a collection of assignments inquiry is the search for truth what we call an earned opinion

*the aims of argument a text and reader archive org* - Jun 13 2023

web english xxviii 575 pages 24 cm the aims of argument a comprehensive text for teaching argument recognizes that people

argue with a range of purposes in mind to inquire to convince to persuade and to negotiate

**the aims of argument 7th edition free pdf linx strategies llc** - Dec 07 2022

web top of page home resume

the aims of argument 7th edition pdf ams istanbul edu - Mar 10 2023

web the aims of argument 7th edition 1 the aims of argument 7th edition aims of argument text and reader text only 8th edition aims of argument text reader kindle edition by amazon com aims of argument mla 2016 update aims of argument a brief guide 7th edition four aims of argument english 112

*aims of argument 7th edition john tosh* - Jun 01 2022

web aims of argument 7th edition as recognized adventure as well as experience nearly lesson amusement as competently as concurrence can be gotten by just checking out a book we give you this proper as competently as easy artifice to acquire those all

*aims of argument 7th edition pdf book keg* - Oct 05 2022

web from the most important secrets of aims of argument 7th edition to a discussion of all the different types of aims of argument 7th edition as well as how to get started without any previous training or knowledge we ve got you covered

**the aims of argument 7th seventh edition text only paperback** - Apr 11 2023

web jan 1 2010 the aims of argument 7th seventh edition text only timothy crusius on amazon com free shipping on qualifying offers the aims of argument 7th seventh edition text only

the aims of argument a brief guide 7th edition amazon com - Apr 30 2022

web nov 9 2010 the aims of argument a comprehensive text for teaching argument recognizes that people argue with a range of purposes in mind to inquire to convince to persuade and to negotiate it offers a clear logical learning sequence rather than merely a collection of assignments inquiry is the search for truth what we call an earned opinion

an examination of argumentation in - Feb 26 2022

web the aims of argument 7 th edition by timothy w crusius and carolyn e channell appendix six 87 phase two select chapter lesson plan analysis on a little argument 2 nd edition by faigley and selzer

*fisiología humana aplicación a la actividad física dialnet* - Apr 29 2023

web información del libro fisiología humana aplicación a la actividad física ayuda en qué podemos ayudarle buscar en la ayuda buscar consultar la ayuda en qué podemos

**fisiología humana aplicación a la actividad física** - Mar 29 2023

web fisiología humana aplicación a la actividad física tapa blanda 1 junio 2012 es necesario saber cómo funciona el organismo en condiciones de reposo para comenzar a analizar cómo se modifican las diferentes variables que permiten

realizar el ejercicio

fisiología humana aplicación a la actividad física calderón - Apr 17 2022

web este es el espíritu que ha guiado este libro que los alumnos mediante el razonamiento lógico y sobre la base del estudio de las funciones fisiológicas en reposo sean capaces de razonar la respuesta y la adaptación del organismo al ejercicio y al entrenamiento

**fisiología humana aplicación a la actividad física amazon com** - Aug 22 2022

web el espíritu que ha guiado fisiología humana aplicación a la actividad física 2ª ed es comprender la respuesta y la adaptación del organismo al ejercicio y al entrenamiento mediante el razonamiento lógico y sobre la base del estudio de *fisiología humana incluye ebook aplicación a la actividad física* - Dec 26 2022

web el espíritu que ha guiado fisiología humana aplicación a la actividad física 2ª ed es comprender la respuesta y la adaptación del organismo al ejercicio y al entrenamiento mediante el razonamiento lógico y sobre la base del estudio de

**fisiología humana aplicación a la actividad física material** - Jul 01 2023

web aplicación a la actividad física 2ª ed es comprender la respuesta y la adaptación del organismo al ejercicio y al entrenamiento mediante el razonamiento lógico y sobre la base del estudio de las funciones fisiológicas en reposo

**fisiología humana de francisco javier calderón montero** - Nov 24 2022

web el espíritu que ha guiado fisiología humana aplicación a la actividad física 2ª ed es comprender la respuesta y la adaptación del organismo al ejercicio y al entrenamiento mediante el razonamiento lógico y sobre la base del estudio de

**fisiología humana aplicación a la actividad física amazon es** - Aug 02 2023

web fisiología humana aplicación a la actividad física calderón montero francisco javier amazon es libros libros ciencias tecnología y medicina medicina envío rápido y gratis te ofrecemos una prueba gratis de 30 días de prime nuevo 53 20 precio recomendado 56 00 ahorra 2 80 5 los precios incluyen iva devoluciones

**fisiología humana aplicación a la actividad física** - Jul 21 2022

web aplicación a la actividad física explica de forma sencilla las complicadas adaptaciones del cuerpo humano a la actividad física de especial utilidad para alumnos de ciencias de la actividad física y del deporte esta obra les ayudará a entender y razonar cómo el organismo responde de forma integrada al ejercicio

**fisiología humana de francisco javier calderón montero** - Feb 25 2023

web fisiología humana aplicación a la actividad física dÚo digital el formato dÚo incluye la obra en papel y en aplicación a la actividad física 2ª ed es comprender la respuesta y la adaptación del organismo al ejercicio y al entrenamiento mediante el razonamiento lógico y sobre la base del estudio de las funciones fisiológicas

fisiología humana aplicación a la actividad física laleo - Feb 13 2022

web compra fisiología humana aplicación a la actividad física al mejor precio los mejores precios en la compra de fisiología instrumental y equipo médico compra con tarjetas de crédito y débito transferencia o en efectivo

[fisiología humana aplicación a la actividad física](#) - May 31 2023

web fisiología humana aplicación a la actividad física explica de forma sencilla las complicadas adaptaciones del cuerpo humano a la actividad física de especial utilidad para alumnos de ciencias de la actividad física y del deporte esta obra les ayudará a entender y razonar cómo el organismo responde de forma integrada al ejercicio

[fisiología humana aplicación a la actividad física google books](#) - Oct 04 2023

web fisiología humana aplicación a la actividad física explica de forma sencilla las complicadas adaptaciones del cuerpo humano a la actividad física de especial utilidad para

**descargar pdf fisiología humana aplicación a la actividad física** - Mar 17 2022

web december 22 2020 descargar fisiología humana aplicación a la actividad física de francisco javier calderón montero ebooks pdf epub fisiología humana aplicación a la actividad física descarga gratuita lee ahora descargar

**fisiología humana aplicación a la actividad física 2ed incluye e** - May 19 2022

web descripción el espíritu que ha guiado fisiología humana aplicación a la actividad física 2ª ed es comprender la respuesta y la adaptación del organismo al ejercicio y al entrenamiento mediante el razonamiento lógico y sobre la base del estudio de las funciones fisiológicas en reposo

**fisiología humana aplicación a la actividad física abebooks** - Jun 19 2022

web jan 6 2012 fisiología humana aplicación a la actividad física by calderón montero francisco javier isbn 10 8498354099 isbn 13 9788498354096 editorial médica panamericana s a 2012 softcover

**fisiología humana aplicación a la actividad física** - Jan 27 2023

web aplicación a la actividad física explica de forma sencilla las complicadas adaptaciones del cuerpo humano a la actividad física de especial utilidad para alumnos de ciencias de la actividad física y del deporte esta obra les ayudará a entender y razonar cómo el organismo responde de forma integrada al ejercicio

*fisiología humana 2ª ed aplicación a la actividad física* - Sep 22 2022

web el espíritu que ha guiado fisiología humana aplicación a la actividad física 2ª ed es comprender la respuesta y la adaptación del organismo al ejercicio y al entrenamiento mediante el razonamiento lógico y sobre la base del estudio de

**fisiología humana aplicación a la actividad física** - Sep 03 2023

web fisiología humana aplicación a la actividad física libros de medicina fisiología humana 44 76

**fisiología humana aplicación a la actividad física** - Oct 24 2022

web esta obra representa una labor minuciosa y reflexiva con puntos de vista desde múltiples ámbitos de la biología la

medicina la biofísica la patología y el ejercicio al mismo tiempo presenta los conocimientos de fisiología humana expuestos de la forma más sencilla y

*5th grade us history famous us inventors apple books* - May 14 2023

web dec 20 2015 this book accumulates information on some of the world s most famous us inventors complete with images and an easy to read format this book is the perfect complement to the official textbooks used in 5th grade us hist

**5th grade us history famous us inventors fifth grade books inventors** - Feb 11 2023

web dec 20 2015 show your gratitude to the people who made life today much more comfortable this book accumulates information on some of the world s most famous us inventors complete with images and an easy to read format this book is the perfect complement to the official textbooks used in 5th grade us

**5th grade us history famous us inventors fifth grade books inventors** - Dec 09 2022

web dec 20 2015 5th grade us history famous us inventors fifth grade books inventors for kids children s inventors books kindle edition by baby professor author format kindle edition 4 0 4 0 out of 5 stars 59 ratings

*5th grade us history famous us inventors booklet* - Jul 04 2022

web this book accumulates information on some of the world s most famous us inventors complete with images and an easy to read format this book is the perfect complement to the official textbooks used in 5th grade us history that also discuss the subject

**5th grade us history famous us inventors vitalsource** - Feb 28 2022

web 5th grade us history famous us inventors fifth grade books inventors for kids is written by baby professor and published by speedy publishing llc the digital and etextbook isbn for 5th grade us history famous us inventors are 9781682809365 1682809366 and the print isbn are 9781682601563 1682601560

*5th grade us history famous us inventors booklet alibris* - Jun 03 2022

web buy 5th grade us history famous us inventors booklet by baby professor online at alibris we have new and used copies available in 1 editions starting at 4 99 shop now

*5th grade us history famous us inventors fifth grade* - Sep 18 2023

web dec 20 2015 this book accumulates information on some of the world s most famous us inventors complete with images and an easy to read format this book is the perfect complement to the official textbooks used in 5th grade us

**5th grade us history famous us inventors booklet** - Aug 17 2023

web 5th grade us history famous us inventors booklet baby professor amazon com au books

**famous inventors and inventions facts for kids who types** - May 02 2022

web he was an agricultural chemist and discovered over 300 uses for simple produce grown in the american south the

mechanical television was invented by john logie baird during the 20th century and was the early version of the televisions we use now he was also responsible for the inventions of radar and fiber optics

[famous american inventors list ranker](#) - Apr 01 2022

web aug 11 2023 the inventions invented by each historic american inventor are displayed next to the inventors name when available these brilliant inventors from united states can also be sorted by various bits of information such as what year and where the inventor was born thomas jefferson and albert einstein are included on this list along

[paperback september 16 2015 amazon com](#) - Oct 19 2023

web sep 16 2015 the book 5th grade us history famous us inventors is one of the books in a series of educational books written by professor baby and published by speedy publishing this book which is a part of the children s inventors books series provides children with a chance to learn about history in a fun and exciting way

[5th grade us history famous us inventors booklet bookshop](#) - Mar 12 2023

web this book accumulates information on some of the world s most famous us inventors complete with images and an easy to read format this book is the perfect complement to the official textbooks used in 5th grade us history that also discuss the subject

*amazon com customer reviews 5th grade us history famous us inventors* - Sep 06 2022

web sep 16 2015 find helpful customer reviews and review ratings for 5th grade us history famous us inventors by baby professor 2015 09 16 at amazon com read honest and unbiased product reviews from our users

[5th grade us history famous us inventors booklet paperback](#) - Apr 13 2023

web 5th grade us history famous us inventors booklet baby professor 9781682601563 books amazon ca

[5th grade us history famous us inventors booklet abebooks](#) - Jul 16 2023

web abebooks com 5th grade us history famous us inventors booklet 9781682601563 by baby professor and a great selection of similar new used and collectible books available now at great prices 5th grade us history famous us inventors booklet baby professor 9781682601563 abebooks

*5th grade us history famous us inventors fifth grade books inventors* - Jan 10 2023

web 5th grade us history famous us inventors fifth grade books inventors for kids ebook written by baby professor read this book using google play books app on your pc

**amazon com au customer reviews 5th grade us history famous us** - Oct 07 2022

web find helpful customer reviews and review ratings for 5th grade us history famous us inventors fifth grade books inventors for kids children s inventors books at amazon com read honest and unbiased product reviews from our users

*5th grade us history famous us inventors booklet amazon in* - Aug 05 2022

web 5th grade us history famous us inventors booklet baby professor amazon in books

5th grade us history famous us inventors fifth grade books inventors - Nov 08 2022

web 5th grade us history famous us inventors fifth grade books inventors for kids children s inventors books ebook professor baby amazon in books

5th grade us history famous us inventors apple books - Jun 15 2023

web dec 20 2015 this book accumulates information on some of the world s most famous us inventors complete with images and an easy to read format this book is the perfect complement to the official textbooks used in 5th grade us hist