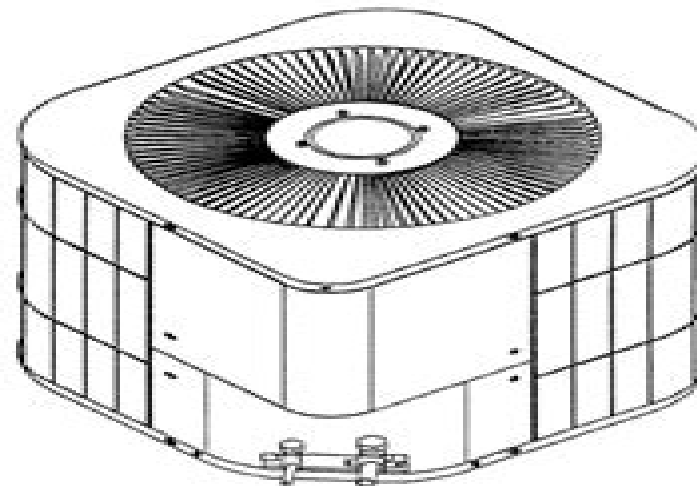


INSTALLATION & OPERATING INSTRUCTIONS

HAVE YOU DISCUSSED WITH YOUR
INSTALLING CONTRACTOR THE
OPTIONAL \$ 300.00 2ND THROUGH
5TH YEAR COMPRESSOR LABOR
ALLOWANCE PROGRAM?

For The United States and Canada only



CK - SERIES CONDENSING UNIT

Goodman Manufacturing Co., L.P.
1501 Seaman, Houston, Texas 77008
(713) 861-2500

Goodman Ck30 1a Manual

S Ben Porath



Goodman Ck30 1a Manual:

Thank you totally much for downloading **Goodman Ck30 1a Manual**. Maybe you have knowledge that, people have seen numerous periods for their favorite books with this Goodman Ck30 1a Manual, but stop in the works in harmful downloads.

Rather than enjoying a fine ebook similar to a mug of coffee in the afternoon, instead they juggled subsequently some harmful virus inside their computer. **Goodman Ck30 1a Manual** is straightforward in our digital library an online entry to it is set as public appropriately you can download it instantly. Our digital library saves in complex countries, allowing you to acquire the most less latency epoch to download any of our books as soon as this one. Merely said, the Goodman Ck30 1a Manual is universally compatible as soon as any devices to read.

http://www.armchairempire.com/public/book-search/default.aspx/Here_Everything_Is_Dreaming_Poems_And_Stories_Excelsior_Editions.pdf

Table of Contents Goodman Ck30 1a Manual

1. Understanding the eBook Goodman Ck30 1a Manual
 - The Rise of Digital Reading Goodman Ck30 1a Manual
 - Advantages of eBooks Over Traditional Books
2. Identifying Goodman Ck30 1a Manual
 - Exploring Different Genres
 - Considering Fiction vs. Non-Fiction
 - Determining Your Reading Goals
3. Choosing the Right eBook Platform
 - Popular eBook Platforms
 - Features to Look for in an Goodman Ck30 1a Manual
 - User-Friendly Interface
4. Exploring eBook Recommendations from Goodman Ck30 1a Manual
 - Personalized Recommendations
 - Goodman Ck30 1a Manual User Reviews and Ratings

- Goodman Ck30 1a Manual and Bestseller Lists
- 5. Accessing Goodman Ck30 1a Manual Free and Paid eBooks
 - Goodman Ck30 1a Manual Public Domain eBooks
 - Goodman Ck30 1a Manual eBook Subscription Services
 - Goodman Ck30 1a Manual Budget-Friendly Options
- 6. Navigating Goodman Ck30 1a Manual eBook Formats
 - ePub, PDF, MOBI, and More
 - Goodman Ck30 1a Manual Compatibility with Devices
 - Goodman Ck30 1a Manual Enhanced eBook Features
- 7. Enhancing Your Reading Experience
 - Adjustable Fonts and Text Sizes of Goodman Ck30 1a Manual
 - Highlighting and Note-Taking Goodman Ck30 1a Manual
 - Interactive Elements Goodman Ck30 1a Manual
- 8. Staying Engaged with Goodman Ck30 1a Manual
 - Joining Online Reading Communities
 - Participating in Virtual Book Clubs
 - Following Authors and Publishers Goodman Ck30 1a Manual
- 9. Balancing eBooks and Physical Books Goodman Ck30 1a Manual
 - Benefits of a Digital Library
 - Creating a Diverse Reading Collection Goodman Ck30 1a Manual
- 10. Overcoming Reading Challenges
 - Dealing with Digital Eye Strain
 - Minimizing Distractions
 - Managing Screen Time
- 11. Cultivating a Reading Routine Goodman Ck30 1a Manual
 - Setting Reading Goals Goodman Ck30 1a Manual
 - Carving Out Dedicated Reading Time
- 12. Sourcing Reliable Information of Goodman Ck30 1a Manual
 - Fact-Checking eBook Content of Goodman Ck30 1a Manual
 - Distinguishing Credible Sources

13. Promoting Lifelong Learning
 - Utilizing eBooks for Skill Development
 - Exploring Educational eBooks
14. Embracing eBook Trends
 - Integration of Multimedia Elements
 - Interactive and Gamified eBooks

Goodman Ck30 1a Manual Introduction

In the digital age, access to information has become easier than ever before. The ability to download Goodman Ck30 1a Manual has revolutionized the way we consume written content. Whether you are a student looking for course material, an avid reader searching for your next favorite book, or a professional seeking research papers, the option to download Goodman Ck30 1a Manual has opened up a world of possibilities. Downloading Goodman Ck30 1a Manual provides numerous advantages over physical copies of books and documents. Firstly, it is incredibly convenient. Gone are the days of carrying around heavy textbooks or bulky folders filled with papers. With the click of a button, you can gain immediate access to valuable resources on any device. This convenience allows for efficient studying, researching, and reading on the go. Moreover, the cost-effective nature of downloading Goodman Ck30 1a Manual has democratized knowledge. Traditional books and academic journals can be expensive, making it difficult for individuals with limited financial resources to access information. By offering free PDF downloads, publishers and authors are enabling a wider audience to benefit from their work. This inclusivity promotes equal opportunities for learning and personal growth. There are numerous websites and platforms where individuals can download Goodman Ck30 1a Manual. These websites range from academic databases offering research papers and journals to online libraries with an expansive collection of books from various genres. Many authors and publishers also upload their work to specific websites, granting readers access to their content without any charge. These platforms not only provide access to existing literature but also serve as an excellent platform for undiscovered authors to share their work with the world. However, it is essential to be cautious while downloading Goodman Ck30 1a Manual. Some websites may offer pirated or illegally obtained copies of copyrighted material. Engaging in such activities not only violates copyright laws but also undermines the efforts of authors, publishers, and researchers. To ensure ethical downloading, it is advisable to utilize reputable websites that prioritize the legal distribution of content. When downloading Goodman Ck30 1a Manual, users should also consider the potential security risks associated with online platforms. Malicious actors may exploit vulnerabilities in unprotected websites to distribute malware or steal personal information. To protect themselves, individuals should ensure their devices have reliable antivirus software installed and

validate the legitimacy of the websites they are downloading from. In conclusion, the ability to download Goodman Ck30 1a Manual has transformed the way we access information. With the convenience, cost-effectiveness, and accessibility it offers, free PDF downloads have become a popular choice for students, researchers, and book lovers worldwide. However, it is crucial to engage in ethical downloading practices and prioritize personal security when utilizing online platforms. By doing so, individuals can make the most of the vast array of free PDF resources available and embark on a journey of continuous learning and intellectual growth.

FAQs About Goodman Ck30 1a Manual Books

How do I know which eBook platform is the best for me? Finding the best eBook platform depends on your reading preferences and device compatibility. Research different platforms, read user reviews, and explore their features before making a choice. Are free eBooks of good quality? Yes, many reputable platforms offer high-quality free eBooks, including classics and public domain works. However, make sure to verify the source to ensure the eBook credibility. Can I read eBooks without an eReader? Absolutely! Most eBook platforms offer web-based readers or mobile apps that allow you to read eBooks on your computer, tablet, or smartphone. How do I avoid digital eye strain while reading eBooks? To prevent digital eye strain, take regular breaks, adjust the font size and background color, and ensure proper lighting while reading eBooks. What the advantage of interactive eBooks? Interactive eBooks incorporate multimedia elements, quizzes, and activities, enhancing the reader engagement and providing a more immersive learning experience. Goodman Ck30 1a Manual is one of the best book in our library for free trial. We provide copy of Goodman Ck30 1a Manual in digital format, so the resources that you find are reliable. There are also many Ebooks of related with Goodman Ck30 1a Manual. Where to download Goodman Ck30 1a Manual online for free? Are you looking for Goodman Ck30 1a Manual PDF? This is definitely going to save you time and cash in something you should think about.

Find Goodman Ck30 1a Manual :

~~here everything is dreaming poems and stories excelsior editions~~

~~[henry hooks cryptic crosswords volume 4 other](#)~~

~~heir to the empire star wars the thrawn trilogy vol 1~~

~~heddon catalogs 1902-1953 50 years of great fishing~~

heaven s gate heaven s gate

[herdic license study guidedenver](#)

[henry v shakespeare library classic henry v shakespeare library classic](#)

[helms manuals cars](#)

[hello kitty hello halloween](#)

[heat vol 1 master chefs heat series](#)

henry viii man and monarch

here tomorrow preserving architecture culture and californias golden dream

henkovac 2000 manual

[herbicide warfare the ranch hand project in vietnam](#)

herbs dentistry future perspectives ruchi gupta

Goodman Ck30 1a Manual :

la redazione degli atti nell ente locale copertina flessibile - Jan 11 2023

web il volume dal linguaggio scorrevole e dalla struttura snella è concepito per offrire una guida rapida alla redazione degli atti degli enti locali spesso oggetto della prova pratica nei pubblici concorsi ma pur sempre utile anche per chi già operi nel settore e necessita di un formulario dal taglio agile

la redazione degli atti nell ente locale libro mondadori store - Dec 30 2021

[la redazione degli atti nell ente locale edizioni simone](#) - Apr 02 2022

web traduzione di redazione degli atti in inglese gli stati membri assicurano che la redazione degli atti processuali avvenga anche in una lingua comprensibile alle parti the member states shall ensure that the languages in which documents relating to the proceedings are produced include at least a language understood by the parties

la redazione degli atti nell ente locale libreria ibs - Mar 13 2023

web il volume dal linguaggio scorrevole e dalla struttura snella è concepito per offrire una guida rapida alla redazione degli atti degli enti locali spesso oggetto della prova pratica nei pubblici concorsi ma pur sempre utile anche per chi già operi nel settore e necessita di un formulario dal taglio agile

[la redazione degli atti nell ente locale simone concorsi](#) - Jun 16 2023

web la redazione degli atti nell ente locale giunta alla vi edizione è una guida alla prova teorico pratica nei concorsi pubblici banditi da comuni province e città metropolitane nonché un formulario aggiornato e agile da consultare per

la redazione degli atti nell ente locale libreria universitaria - Oct 08 2022

web offrire una guida rapida alla redazione degli atti degli enti locali spesso oggetto della prova pratica nei pubblici concorsi ma utile anche per chi già operi nel settore e necessita di un formulario dal taglio agile le due parti iniziali del libro sono di tipo manualistico

la redazione degli atti nell ente locale kobo com - Jul 05 2022

web il volume giunto alla v edizione si propone quale guida teorico pratica alla redazione degli atti dell ente locale esso è strutturato in tre parti di cui le prime due di tipo manualistico illustrano l attività amministrativa sia in generale che dal punto di vista locale la terza invece è un formulario che riproduce vari modelli di atto

la redazione degli atti nell ente locale edizioni simone - Jul 17 2023

web may 5 2021 la redazione degli atti nell ente locale giunta alla vi edizione è una guida alla prova teorico pratica nei concorsi pubblici banditi da comuni province e città metropolitane nonché un formulario aggiornato e agile da

la redazione degli atti nell ente locale mondadori store - Dec 10 2022

web la redazione degli atti nell ente locale giunta alla vi edizione è una guida alla prova teorico pratica nei concorsi pubblici banditi da comuni province e città metropolitane nonché un formulario aggiornato e agile da consultare per

la redazione degli atti nell ente locale libro libreria ibs - Aug 18 2023

web descrizione la redazione degli atti nell ente locale giunta alla vi edizione è una guida alla prova teorico pratica nei concorsi pubblici banditi da comuni province e città metropolitane nonché un formulario aggiornato e agile da

la redazione degli atti nell ente locale libro lafeltrinelli - Nov 09 2022

web la raccolta è impostata sulla base delle ultime prove concorsuali e dei più comuni atti di un ente locale potrebbero piacerti anche diritto regionale e degli enti locali

la redazione degli atti nell ente locale libraccio it - Jun 04 2022

web il volume dal linguaggio scorrevole e dalla struttura snella è concepito per offrire una guida rapida alla redazione degli atti degli enti locali spesso oggetto della prova pratica nei pubblici concorsi ma pur sempre utile anche per chi già operi nel settore e necessita di un formulario dal taglio agile

la redazione degli atti nell ente locale i principi dell attività - Apr 14 2023

web la redazione degli atti nell ente locale è un ebook di edizioni simone redazioni pubblicato da edizioni giuridiche simone nella collana elementi maior a 9 99 il file è in formato epub2 con adobe drm risparmia online con le offerte ibs

la redazione degli atti nell ente locale copertina flessibile - Feb 12 2023

web la redazione degli atti nell ente locale 16 15 25 disponibilità solo 9 ordina subito ulteriori in arrivo ogni volume della collana elementi maior simone tratta tutti gli argomenti della materia mettendo in evidenza soprattutto quelli più

libri diritto degli enti locali ibs - Aug 06 2022

web leggi la redazione degli atti nell ente locale i principi dell attività amministrativa il procedimento amministrativo struttura e presupposti degli atti dell ente locale modulistica di redazioni edizioni simone disponibile su rakuten kobo
la redazione degli atti nell ente locale copertina flessibile - May 15 2023

web la redazione degli atti nell ente locale i principi dell attività amministrativa il procedimento amministrativo struttura e presupposti degli atti dell ente locale modulistica formato kindle il volume dal linguaggio scorrevole e dalla struttura snella è concepito per offrire una guida rapida alla redazione degli atti
elementi maior di la redazione degli atti nell ente locale - Sep 07 2022

web il concorso per istruttore e istruttore direttivo nell area tecnica degli enti locali manuale per la preparazione ai concorsi di categoria c e d per i tecnici degli enti locali

la redazione degli atti nell ente locale 9788891428608 in diritto - Jan 31 2022

web acquista online il libro la redazione degli atti nell ente locale di in offerta a prezzi imbattibili su mondadori store
traduzione di redazione degli atti in inglese reverse context - Mar 01 2022

web acquista la redazione degli atti nell ente locale 9788891428608 su libreria universitaria un libro di diritto degli enti locali da non perdere spedizione gratuita sopra i 25 euro

la redazione degli atti nell ente locale edizioni simone - Sep 19 2023

web la redazione degli atti nell ente locale 15 00 14 25 paga in tre rate senza interessi con paypal per ordini superiori a 30 euro i principi dell attività amministrativa il procedimento amministrativo struttura e presupposti degli atti dell ente locale
pdf epub la redazione degli atti nell ente locale - May 03 2022

web in questo video troverai le mie opinioni riguardanti il manuale la redazione degli atti nell ente locale a cura della casa editrice edizioni simone un piccolo manuale indispensabile che

infoods malaysia food and agriculture organization - Jul 30 2023

web oct 20 2022 nutrient composition of malaysian foods tee e siong mi noor mn azudin k idris asean food habits project national sub committee on protein food

food based dietary guidelines malaysia food and agriculture - Oct 21 2022

web nutrition research priorities in malaysia 2021 2025 is a comprehensive document that outlines the current and future research needs and directions for improving the

frontiers the malaysian food barometer open - Dec 23 2022

web the 1988 edition of the table contains data proximate composition 5 minerals and 5 vitamins for 783 foods including 203 types of cooked foods

nutrient composition of malaysian foods google books - Jun 16 2022

web nutrient composition of malaysian foods a preliminary table first up date asean protein project national sub committee
malaysia 1985 diet 69 pages 0 reviews

[welcome to malaysian food composition database myfcd](#) - Aug 31 2023

web welcome to malaysian food composition database myfcd the nutrient data can be accessed quickly and easily using latest technologies such as mobile devices and tablets there is an additional of more food groups with 441 raw and processed foods as well as

introduction to nutrient composition of - Nov 21 2022

web the malaysian food pyramid is divided into four levels corresponding to six food groups at the base there are rice cereals noodles and tubers to be eaten moderately on the

[food composition database module current ministry of health](#) - Feb 22 2023

web r211018 traditional malaysian kuih steamed rice flour with coconut milk and sugar in small mould served with grated coconut kuih

food composition database module industry ministry of health - May 28 2023

web malaysian food composition database myfcd is a comprehensive and updated source of nutrient information for various local and franchised foods you can search browse

nutrition ministry of health - Sep 19 2022

web apr 20 2021 it must be noted that the m hei used in a few of the included studies evaluates conformance in seven food groups grains and cereals vegetables fruits

pdf nutrient content in selected commercial rice in malaysia - Apr 14 2022

web these include significant changes in the dietary patterns of malaysians eg the increase in consumption of fats and oils and refined carbohydrates and a decreased intake of

nutrient profile model for the marketing of food and non alcoholic - Oct 09 2021

web oct 20 2022 nutrient composition of malaysian foods tee e siong mi noor mn azudin k idris asean food habits project national sub committee on protein food

nutrients in malaysian food - Mar 26 2023

web nutrients in malaysian food please click here for malaysian food composition database myfcd from ministry of health malaysia nutriweb

pdf nuts consumption pattern among malaysian adults a socio - Jan 12 2022

web jul 2 2015 navigation no headings were found on this page malaysian food calorie table 1 bowl of rice 207 calories red high calories food amount energy calories

individual and total sugar contents of 83 malaysian foods - Jul 18 2022

web nutrient composition of malaysian foods e siong tee national sub committee on protein food habits research and development malaysia kuala lumpur 1988

nutrition of malaysians where are we heading pubmed - Mar 14 2022

web calorie goal 1900 cal 100 2000cal left fitness goals heart healthy fat 67 g 67g left sodium 2300 mg 2300mg left cholesterol 300 mg

malaysia food top 40 dishes to try cnn - Nov 09 2021

web 2 days ago nutrient profiling entails the classification of foods according to nutritional composition for reasons related to health it is a critical tool for the implementation of

malaysian food calories carbs nutrition facts myfitnesspal - Feb 10 2022

web jan 1 2011 ministry of health malaysia abstract and figures the nuts consumption pattern of malaysian adults were assessed by a set of food frequency questionnaire

malaysian food calories a to z malaysia health family - Dec 11 2021

web jul 20 2023 depending on where you are in malaysia it comes with a variety of accompaniments such as hard boiled egg peanuts vegetables lamb chicken or beef

nutrients free full text diet quality of malaysians across - Aug 19 2022

web apr 3 2018 pdf as part of the effort in updating and expanding the carbohydrate data in malaysian food composition databases 83 foods were selected based on the

nutrient composition of malaysian foods google books - May 16 2022

web jan 1 2015 pdf there is an increase need and demand to update malaysian food composition database fcd which was last updated in 1997 the current fcd

dietplus a user friendly 2 in 1 food composition database - Jan 24 2023

web dietplus instantaneously sums up the macronutrients and micronutrients consumed with each subsequent entry macronutrients protein fat carbohydrate sugars and dietary

infoods asia food and agriculture organization - Apr 26 2023

web oct 20 2022 nutrient composition of malaysian foods tee e siong mi noor mn azudin k idris asean food habits project national sub committee on protein food

malaysian food composition malaysian food - Jun 28 2023

web iv section 2 prepared foods 2 1 traditional malaysian kuih 204 2 1 1 rice and rice flour based 204 2 1 2 wheat flour based 206 2 1 3 legume based 208 2 1 4

[food composition tables for malaysia fao org](#) - Sep 07 2021

the oxford dictionary of opera archive org - Oct 02 2023

web the oxford dictionary of opera by warrack john 1928 west ewan publication date 1992 topics opera publisher oxford new york oxford university press

dictionary of opera characters oxford reference - Jul 31 2023

web oct 23 2023 from aeneas to zaida a dictionary of opera characters provides extensive coverage of all the characters in operas from around the world and gives synopses for over 200 operas and operettas it includes feature articles written by well known personalities from the world of opera such as placido domingo and dame janet

the dictionary of lost words stc play review the lighthouse - Dec 24 2022

web oct 30 2023 this brilliant adaptation of a historical novel about the original oxford english dictionary drew a standing ovation from the first night audience at the sydney opera house drama theatre the production was peopled with believable characters from the victorian social context in which the dictionary was painstakingly compiled

the concise oxford dictionary of opera open library - Sep 20 2022

web oct 17 2020 the concise oxford dictionary of opera 2d ed by harold d rosenthal 0 ratings 1 want to read 0 currently reading 0 have read this edition doesn t have a description yet can you add one publish date 1979 publisher oxford university press language english pages 561 previews available in english subjects

[oxford learner s dictionaries find definitions translations and](#) - Feb 11 2022

web oxford learner s dictionaries find definitions translations and grammar explanations at oxford learner s dictionaries new words and meanings added september 2023 on the move this month we ve added over 160 new words and meanings and our focus this time is on travel and transport

opera english meaning cambridge dictionary - Mar 27 2023

web opera definition 1 a musical play in which most of the words are sung or plays and music of this type 2 a learn more

the oxford dictionary of opera google books - Jul 19 2022

web the oxford dictionary of opera comes at a time when opera has reached unprecedented levels of popularity enjoying well filled opera houses public television broadcasts and huge record

the dictionary of lost words live review the sydney morning - Nov 22 2022

web oct 31 2023 the dictionary of lost words drama theatre sydney opera house october 28 until december 16 where a dedicated team of lexicographers is compiling the oxford english dictionary

[the oxford dictionary of opera better world books](#) - Jun 17 2022

web the oxford dictionary of opera comes at a time when opera has reached unprecedented levels of popularity enjoying well filled opera houses public television broadcasts and huge record sales fully cross referenced and packed with information this tremendous reference is a must for all opera lovers

opera definition meaning synonyms vocabulary com - Feb 23 2023

web opera 1 n a drama set to music consists of singing with orchestral accompaniment and an orchestral overture and interludes types show 4 types hide 4 types bouffe comic opera opera bouffe opera comique opera with a happy ending and in which some of the text is spoken grand opera opera in which all the text is sung musical drama

the new grove dictionary of opera worldcat org - May 17 2022

web summary the new grove dictionary of opera is a comprehensive resource on the study of opera designed for scholars and opera aficionados its 11 000 articles written by more than 1 300 of the world s leading critics and scholars cover 1 800 operas from the late 16th century florentine camerata through the great 18th and 19th century operas

the concise oxford dictionary of opera google books - Aug 20 2022

web mar 7 1996 derived from the full oxford dictionary of opera this is the most authoritative and up to date dictionary of opera available in paperback fully revised for this new edition with over 3 500 entries it is designed to be accessible to all those who enjoy opera whether at the opera house or at home here opera buffs will have at their

nasa on instagram well it s a marvelous night for a - Mar 15 2022

web oct 27 2023 there s an issue and the page could not be loaded reload page

the oxford dictionary of opera abebooks - Apr 15 2022

web mar 15 2004 title the oxford dictionary of opera publisher oxford university press oxford uk publication date 1992 binding hardcover condition very good dust jacket condition very good edition 1st edition about this title synopsis la scala luciano pavarotti sweeney todd maria callas le nozze di figaro

the concise oxford dictionary of opera john hamilton warrack - Apr 27 2023

web the concise oxford dictionary of opera by john hamilton warrack publication date 1996 topics opera dictionaries publisher oxford university press collection inlibrary printdisabled internetarchivebooks contributor internet archive language english access restricted item true addeddate 2012 02 10 17 01 50 boxid ia177601 boxid 2

a dictionary of opera characters oxford university press - Oct 22 2022

web feb 15 2017 this dictionary is part of the oxford reference collection using sustainable print on demand technology to make the acclaimed backlist of the oxford reference programme perennially available in hardback format a unique and authoritative a z reference work that will answer all your questions on who s who in opera contains over

opera definition meaning merriam webster - Jan 25 2023

web the meaning of opera is plural of opus how to use opera in a sentence

opera oxford learner s dictionaries - Sep 01 2023

web definition of opera noun in oxford advanced learner s dictionary meaning pronunciation picture example sentences grammar usage notes synonyms and more

the new grove dictionary of opera oxford music - May 29 2023

web the new grove dictionary of opera 1992 is a comprehensive resource on the study of opera designed for scholars and opera aficionados its 11 000 articles written by more than 1 300 of the world s leading critics and scholars cover 1 800 operas from the late 16th century florentine camerata through the great 18th and 19th century operas

the oxford dictionary of opera warrack john west ewan - Jun 29 2023

web oct 15 1992 the oxford dictionary of opera comes at a time when opera has reached unprecedented levels of popularity enjoying well filled opera houses public television broadcasts and huge record sales fully cross referenced and packed with information this tremendous reference is a must for all opera lovers