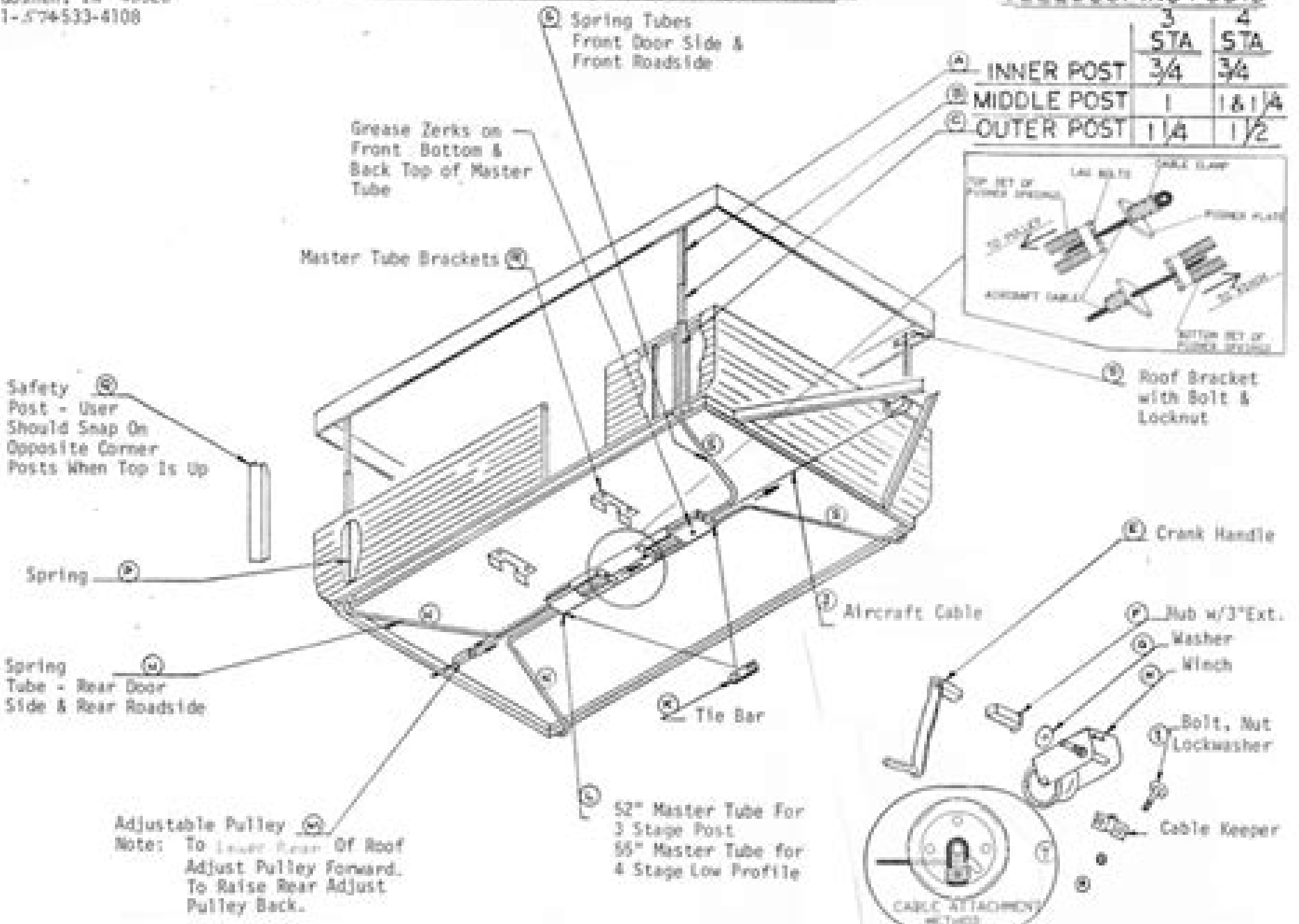
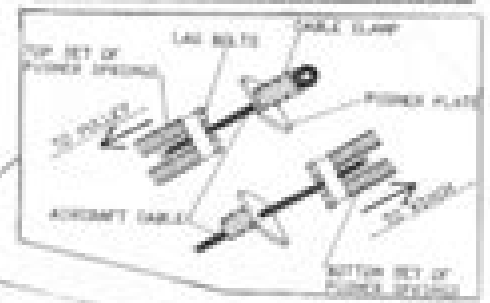


# 1473 SERIES CRANK UP LIFT SYSTEM

## TELESCOPING POSTS

	3	4
	STA	STA
(A) INNER POST	3/4	3/4
(B) MIDDLE POST	1	1 1/4
(C) OUTER POST	1 1/4	1 1/2



**Adjustable Pulley**  
 Note: To Lower Rear Of Roof  
 Adjust Pulley Forward.  
 To Raise Rear Adjust  
 Pulley Back.

52" Master Tube For  
 3 Stage Post  
 55" Master Tube for  
 4 Stage Low Profile



# Goshen Lift System Manual

**Jin-Ying Zhang**



## **Goshen Lift System Manual:**

**Manual of Bible history. Gradation 1-3** Charles Baker,1856      *Moody's Manual of Investments* John Sherman Porter,1928 American government securities 1928 53 in 5 annual vols v 1 Railroad securities 1952 53 Transportation v 2 Industrial securities v 3 Public utility securities v 4 Government securities 1928 54 v 5 Banks insurance companies investment trusts real estate finance and credit companies 1928 54      **Moody's Transportation Manual** ,1974

**Moody's Manual of Investments: American and Foreign** ,1928      **Mass Transit** ,2002      **Resources in Education** ,1981 Serves as an index to Eric reports microform      **Metro** ,2002      **Aeronautical Engineering** ,1993 A selection of annotated references to unclassified reports and journal articles that were introduced into the NASA scientific and technical information system and announced in Scientific and technical aerospace reports STAR and International aerospace abstracts IAA      Refrigeration Engineering ,1948 English abstracts from Kholodil naia tekhnika      **Index of Patents Issued from the United States Patent Office** United States. Patent Office,1973      *Western Construction News* ,1937      **Western Electrician** ,1908      The Churchman ,1885      **Engineering News and American Contract Journal** ,1910      *Farmers' Review* ,1896      **The Breeder's Gazette** ,1906      *Product Engineering* ,1963 Vols for 1955 includes an issue with title Product design handbook issue 1956 Product design digest issue 1957 Design digest issue      **MotorBoating** ,1970-05      *The Epworth Herald* ,1892      *Aeronautical Engineering: A Cumulative Index to a Continuing Bibliography (supplement 287)* ,1993

Getting the books **Goshen Lift System Manual** now is not type of inspiring means. You could not on your own going behind ebook addition or library or borrowing from your links to right of entry them. This is an definitely easy means to specifically get guide by on-line. This online broadcast Goshen Lift System Manual can be one of the options to accompany you considering having other time.

It will not waste your time. allow me, the e-book will completely sky you other situation to read. Just invest little grow old to entre this on-line statement **Goshen Lift System Manual** as skillfully as review them wherever you are now.

[http://www.armchairempire.com/data/uploaded-files/fetch.php/haaien\\_en\\_kleine\\_vissen\\_oorlogsroman\\_marine\\_uit\\_de\\_tweede\\_wereldoorlog.pdf](http://www.armchairempire.com/data/uploaded-files/fetch.php/haaien_en_kleine_vissen_oorlogsroman_marine_uit_de_tweede_wereldoorlog.pdf)

## **Table of Contents Goshen Lift System Manual**

1. Understanding the eBook Goshen Lift System Manual
  - The Rise of Digital Reading Goshen Lift System Manual
  - Advantages of eBooks Over Traditional Books
2. Identifying Goshen Lift System Manual
  - Exploring Different Genres
  - Considering Fiction vs. Non-Fiction
  - Determining Your Reading Goals
3. Choosing the Right eBook Platform
  - Popular eBook Platforms
  - Features to Look for in an Goshen Lift System Manual
  - User-Friendly Interface
4. Exploring eBook Recommendations from Goshen Lift System Manual
  - Personalized Recommendations
  - Goshen Lift System Manual User Reviews and Ratings
  - Goshen Lift System Manual and Bestseller Lists

5. Accessing Goshen Lift System Manual Free and Paid eBooks
  - Goshen Lift System Manual Public Domain eBooks
  - Goshen Lift System Manual eBook Subscription Services
  - Goshen Lift System Manual Budget-Friendly Options
6. Navigating Goshen Lift System Manual eBook Formats
  - ePub, PDF, MOBI, and More
  - Goshen Lift System Manual Compatibility with Devices
  - Goshen Lift System Manual Enhanced eBook Features
7. Enhancing Your Reading Experience
  - Adjustable Fonts and Text Sizes of Goshen Lift System Manual
  - Highlighting and Note-Taking Goshen Lift System Manual
  - Interactive Elements Goshen Lift System Manual
8. Staying Engaged with Goshen Lift System Manual
  - Joining Online Reading Communities
  - Participating in Virtual Book Clubs
  - Following Authors and Publishers Goshen Lift System Manual
9. Balancing eBooks and Physical Books Goshen Lift System Manual
  - Benefits of a Digital Library
  - Creating a Diverse Reading Collection Goshen Lift System Manual
10. Overcoming Reading Challenges
  - Dealing with Digital Eye Strain
  - Minimizing Distractions
  - Managing Screen Time
11. Cultivating a Reading Routine Goshen Lift System Manual
  - Setting Reading Goals Goshen Lift System Manual
  - Carving Out Dedicated Reading Time
12. Sourcing Reliable Information of Goshen Lift System Manual
  - Fact-Checking eBook Content of Goshen Lift System Manual
  - Distinguishing Credible Sources
13. Promoting Lifelong Learning

- Utilizing eBooks for Skill Development
  - Exploring Educational eBooks
14. Embracing eBook Trends
- Integration of Multimedia Elements
  - Interactive and Gamified eBooks

### **Goshen Lift System Manual Introduction**

In the digital age, access to information has become easier than ever before. The ability to download Goshen Lift System Manual has revolutionized the way we consume written content. Whether you are a student looking for course material, an avid reader searching for your next favorite book, or a professional seeking research papers, the option to download Goshen Lift System Manual has opened up a world of possibilities. Downloading Goshen Lift System Manual provides numerous advantages over physical copies of books and documents. Firstly, it is incredibly convenient. Gone are the days of carrying around heavy textbooks or bulky folders filled with papers. With the click of a button, you can gain immediate access to valuable resources on any device. This convenience allows for efficient studying, researching, and reading on the go. Moreover, the cost-effective nature of downloading Goshen Lift System Manual has democratized knowledge. Traditional books and academic journals can be expensive, making it difficult for individuals with limited financial resources to access information. By offering free PDF downloads, publishers and authors are enabling a wider audience to benefit from their work. This inclusivity promotes equal opportunities for learning and personal growth. There are numerous websites and platforms where individuals can download Goshen Lift System Manual. These websites range from academic databases offering research papers and journals to online libraries with an expansive collection of books from various genres. Many authors and publishers also upload their work to specific websites, granting readers access to their content without any charge. These platforms not only provide access to existing literature but also serve as an excellent platform for undiscovered authors to share their work with the world. However, it is essential to be cautious while downloading Goshen Lift System Manual. Some websites may offer pirated or illegally obtained copies of copyrighted material. Engaging in such activities not only violates copyright laws but also undermines the efforts of authors, publishers, and researchers. To ensure ethical downloading, it is advisable to utilize reputable websites that prioritize the legal distribution of content. When downloading Goshen Lift System Manual, users should also consider the potential security risks associated with online platforms. Malicious actors may exploit vulnerabilities in unprotected websites to distribute malware or steal personal information. To protect themselves, individuals should ensure their devices have reliable antivirus software installed and validate the legitimacy of the websites they are downloading from. In conclusion, the ability to download Goshen Lift System

Manual has transformed the way we access information. With the convenience, cost-effectiveness, and accessibility it offers, free PDF downloads have become a popular choice for students, researchers, and book lovers worldwide. However, it is crucial to engage in ethical downloading practices and prioritize personal security when utilizing online platforms. By doing so, individuals can make the most of the vast array of free PDF resources available and embark on a journey of continuous learning and intellectual growth.

### **FAQs About Goshen Lift System Manual Books**

How do I know which eBook platform is the best for me? Finding the best eBook platform depends on your reading preferences and device compatibility. Research different platforms, read user reviews, and explore their features before making a choice. Are free eBooks of good quality? Yes, many reputable platforms offer high-quality free eBooks, including classics and public domain works. However, make sure to verify the source to ensure the eBook credibility. Can I read eBooks without an eReader? Absolutely! Most eBook platforms offer web-based readers or mobile apps that allow you to read eBooks on your computer, tablet, or smartphone. How do I avoid digital eye strain while reading eBooks? To prevent digital eye strain, take regular breaks, adjust the font size and background color, and ensure proper lighting while reading eBooks. What the advantage of interactive eBooks? Interactive eBooks incorporate multimedia elements, quizzes, and activities, enhancing the reader engagement and providing a more immersive learning experience. Goshen Lift System Manual is one of the best book in our library for free trial. We provide copy of Goshen Lift System Manual in digital format, so the resources that you find are reliable. There are also many Ebooks of related with Goshen Lift System Manual. Where to download Goshen Lift System Manual online for free? Are you looking for Goshen Lift System Manual PDF? This is definitely going to save you time and cash in something you should think about.

### **Find Goshen Lift System Manual :**

[haaien en kleine vissen oorlogsroman marine uit de tweede wereldoorlog](#)

[haas mill programming manual](#)

[gyro compass manual](#)

*h50 hyster manual*

*gweneth paltrow cookbook*

**gurdjieff and hypnosis gurdjieff and hypnosis**

[gun 3d coloring book adult](#)

**gunterstein 300 jaar na de herbouw**

[haier washer dryer combo manual](#)

[habits of mind powerpoint for kids](#)

**guidelines for subject access in national bibliographies ifla series on bibliographic control**

[guinea dog questions and guide](#)

**gx 2 to 7 compressor manuals**

[haier washing machine manual hms800tve](#)

**haier washing machine hw c1460tve u manual**

**Goshen Lift System Manual :**

[limits 1 pdf kuta software infinite calculus name](#) - Feb 26 2022

web kuta software infinite calculus name period date evaluating limits evaluate each limit 1 lim x 1 5 2 lim x 5 2 x 2 3 lim x 2 x 3 x 2

[free printable math worksheets for calculus kuta software](#) - Apr 11 2023

web limits by direct evaluation limits at jump discontinuities and kinks limits at removable discontinuities limits at removable discontinuities with trig limits at essential

**evaluating limits date period kuta software** - Aug 15 2023

web kuta software infinite calculus name evaluating limits date period evaluate each limit 1 lim x x 2 x2 x 1 x f x 8 6 4 2 2 4 6 8 8 6 4 2

[01 limits at infinity kuta software yumpu](#) - Jul 02 2022

web apr 25 2014 01 limits at infinity kuta software en english deutsch français español portuguêis italiano român nederlands latina dansk svenska norsk magyar bahasa

[topics covered by infinite calculus kuta software](#) - Dec 07 2022

web infinite calculus covers all of the fundamentals of calculus limits continuity differentiation and integration as well as applications such as related rates and finding

[01 limits by direct evaluation pdf kuta software yumpu](#) - Apr 30 2022

web apr 25 2014 01 limits by direct evaluation pdf kuta software en english deutsch français español portuguêis italiano român nederlands latina dansk svenska norsk

[infinite calculus updates kuta software](#) - Sep 23 2021



web aug 19 2021 included in version 2 50 released 4 12 2019 new kuta works option to hide answers and results from students until after due date new kuta works option to

**kutasoftware calculus evaluating limits at essential youtube** - Sep 04 2022

web oct 22 2018 free worksheet at kutasoftware com freeica go to maemap com math calculus1 for more calculus information please support

**topics covered by infinite precalculus kuta software** - Jan 28 2022

web infinite precalculus covers all typical precalculus material and more trigonometric functions equations and identities parametric equations polar coordinates vectors

**evaluating limits date period kuta software** - Jan 08 2023

web kuta software infinite calculus evaluating limits evaluate each limit  $\lim_{x \rightarrow 2} \sin \pi x$   $\lim_{x \rightarrow 0} x \tan x$   $\lim_{x \rightarrow 0} 3x \cos 2x$   $\lim_{x \rightarrow 0} 4x$

**evaluating limits date period kuta software** - May 12 2023

web kuta software infinite calculus name evaluating limits date period evaluate each limit  $\lim_{x \rightarrow 1} 4x$   $\lim_{x \rightarrow 1} x f x$   $\lim_{x \rightarrow 8} 6x$   $\lim_{x \rightarrow 4} 2x$   $\lim_{x \rightarrow 2} 4x$   $\lim_{x \rightarrow 6} 8x$   $\lim_{x \rightarrow 4} 2x$   $\lim_{x \rightarrow 2} 4x$   $\lim_{x \rightarrow 6} 8x$

*kutasoftware pre calc limits at infinity youtube* - Aug 03 2022

web free worksheet at kutasoftware com freeipc go to maemap com math precalculus for more pre calculus information please

**infinite calculus evaluating limits date period los rios** - Nov 06 2022

web evaluate each limit  $\lim_{x \rightarrow 1} 4x$   $\lim_{x \rightarrow 1} 8x$   $\lim_{x \rightarrow 4} f x$   $\lim_{x \rightarrow 8} 6x$   $\lim_{x \rightarrow 4} 2x$   $\lim_{x \rightarrow 2} 4x$   $\lim_{x \rightarrow 6} 8x$   $\lim_{x \rightarrow 2} 10x$   $\lim_{x \rightarrow 24} x$   $\lim_{x \rightarrow 3} f x$   $\lim_{x \rightarrow 3} f x$   $\lim_{x \rightarrow 3} 2x$   $\lim_{x \rightarrow 3} 3x$   $\lim_{x \rightarrow 10} 8x$   $\lim_{x \rightarrow 4} 4x$   $\lim_{x \rightarrow 2} 2x$

*solved kuta software infinite calculus evaluating limits chegg* - Jun 01 2022

web jun 8 2010 this problem has been solved you ll get a detailed solution from a subject matter expert that helps you learn core concepts question kuta software infinite

**evaluating limits date period kuta software** - Mar 10 2023

web kuta software infinite calculus name evaluating limits date period evaluate each limit  $\lim_{x \rightarrow 3} x$   $\lim_{x \rightarrow 2} x^2$   $\lim_{x \rightarrow 5} 6x$   $\lim_{x \rightarrow 10} 8x$   $\lim_{x \rightarrow 4} 2x$   $\lim_{x \rightarrow 8} 6x$   $\lim_{x \rightarrow 4} 2x$

kutasoftware pre calc limits by direct evaluation youtube - Dec 27 2021

web 32 8k subscribers 845 views 4 years ago kutasoftware precalc worksheets free worksheet at kutasoftware com freeipc go to

**evaluating limits date period kuta software** - Jul 14 2023

web worksheet by kuta software llc kuta software infinite calculus evaluating limits evaluate each limit  $\lim_{x \rightarrow 5} \frac{1}{5 - 3x}$   $\lim_{x \rightarrow 2} \frac{4x^2 - 0.5}{\lim_{x \rightarrow 3} \frac{3x^2 - 6x + 4}{x^2 - 3x + 6}}$

**infinite calculus** - Oct 25 2021

web infinite calculus covers all of the fundamentals of calculus limits continuity differentiation and integration as well as applications such as related rates and finding

**evaluating limits kuta software** - Oct 05 2022

web worksheet by kuta software llc kuta software infinite precalculus evaluating limits kuta software infinite precalculus evaluating limits 2 worksheet by kuta

**infinite precalculus kuta software** - Mar 30 2022

web infinite precalculus covers all typical precalculus material and more trigonometric functions equations and identities parametric equations polar coordinates vectors

infinite calculus kuta software - Nov 25 2021

web infinite calculus covers all of the fundamentals of calculus limits continuity differentiation and integration as well as applications such as related rates and finding

**evaluating limits date period kuta software** - Feb 09 2023

web kuta software infinite calculus name evaluating limits date period evaluate each limit  $\lim_{x \rightarrow 2} \frac{f(x) - f(x^2)}{2x^2 - 5x + 2}$   $\lim_{x \rightarrow 2} \frac{f(x)}{x^2 - 6}$

infinite calculus kuta software - Jun 13 2023

web infinite calculus covers all of the fundamentals of calculus limits continuity differentiation and integration as well as applications such as related rates and finding

**paroles un petit poisson un petit oiseau par juliette greco** - Dec 29 2022

web on regarde en bas pour voir son amour qui nage et l on voudrait bien changer ses ailes en nageoires les arbres en plonger le ciel en baignoire un petit poisson un petit

*un petit poisson un petit oiseau bande à part le clip* - Oct 27 2022

web perdu au creux des nuages on regarde en bas pour voir son amour qui nage et l on voudrait bien changer au cours du voyage ses ailes en nageoires les arbres en

un petit poisson un petit oiseau j gréco satb - Jun 03 2023

web see how petit poisson is translated from french to english with more examples in context petit poisson translation in french english reverso dictionary see also petit

bande à part un petit poisson un petit oiseau lyrics genius - Jul 24 2022

web chanson un petit poisson un petit oiseau artiste juliette greco type document partitions paroles et accords  
**juliette gréco un petit poisson un petit oiseau guitare** - Jan 18 2022

**un petit poisson un petit oiseau par juliette gréco fiche** - Sep 25 2022

web il est mangé tous les poissons english version sung in a french accent little fish little fish swimming swimming swimming  
little fish little fish gloop gloop gloop oh

les petits poissons dans l'eau 1h de comptines - Nov 15 2021

**un petit poisson un petit oiseau ac grenoble fr** - May 22 2022

web juliette gréco un petit poisson un petit oiseau accords guitare de la chanson un petit poisson un petit oiseau de juliette gréco

**un petit poisson un petit oiseau lyrics translate** - Aug 05 2023

web a little fish a little bird twas a little fish twas a little bird who loved each other dearly but what can one do really when one is in a pond twas a little fish twas a little bird who

juliette greco un petit poisson un petit oiseau 1966 youtube - Sep 06 2023

web jun 30 2017 un petit poisson un petit oiseau aimaient d'amour tendre mais comment s'y prendre quand on est dans l'eau un petit poisson un petit oiseau aimaient d'amour

un petit poisson un petit oiseau youtube - Jul 04 2023

web nov 3 2018 provided to youtube by universal music group un petit poisson un petit oiseau juliette gréco les 50 plus belles chansons 1966 decca records france released

*comptine les petits poissons dans l'eau dessine moi une* - Dec 17 2021

**juliette gréco un petit poisson un petit oiseau lyrics** - Apr 01 2023

web un petit poisson un petit oiseau durée 01:46 auteur jean max rivière compositeur gérard bourgeois

**petit poisson translation in english french english dictionary** - May 02 2023

web perdu aux creux des nuages on regarde en bas pour voir son amour qui nage et l'on voudrait bien changer ses ailes en nageoires les arbres en plongeoir le ciel en

**un petit poisson un petit oiseau la boîte à chansons** - Mar 20 2022

**petit poisson lyrics by amélie bartier lyrics on demand** - Jun 22 2022

web jun 17 2014 voici la comptine les petits poissons dans l eau pour bébés et petits enfants lespatapons fr interprète chant aurélia izarn bergerinterprète

*les petits poissons dans l eau youtube* - Apr 20 2022

web feb 18 2014 les petits poissons dans l eau nagent nagent nagent nagent nagent les petits poissons dans l eau nagent aussi bien que les gros paroles de la comptine

**un petit poisson un petit oiseau j gréco satb** - Feb 28 2023

web paroles du titre un petit poisson un petit oiseau juliette greco avec paroles net retrouvez également les paroles des chansons les plus populaires de juliette greco

*juliette gréco un petit poisson un petit oiseau audio officiel* - Oct 07 2023

web oct 26 2020 juliette gréco un petit poisson un petit oiseau audio officiel écoutez et commandez juliettegrecos lnk to discoid suivez juliette gréco abonne

*les petits poissons dans l eau youtube* - Feb 16 2022

*juliette gréco un petit poisson un petit oiseau écoute avec les* - Jan 30 2023

web dec 1 2019 clip officiel un petit poisson un petit oiseau par bande à part extrait de l album the foufoune tour réalisé par jonas b ezra oeuvre originale j m ri

*juliette gréco un petit poisson un petit oiseau audio officiel* - Aug 25 2022

web un petit poisson un petit oiseau s aimaient d amour tendre mais comment s y prendre quand on est là haut quand on est là haut perdu aux creux des nuages on regarde en

*petit poisson youtube* - Nov 27 2022

web juliette gréco un petit poisson un petit oiseau audio officiel écoutez et commandez juliettegrecos lnk to discoid suivez juliette gréco ab

**complete wiring diagrams for ford falcon au ba bf fg** - Oct 09 2023

web sep 28 2018 this video demonstrates the ford falcon s complete wiring diagrams and details of the wiring harness or connectors diagrams for the following systems are included radio wiring

**ford falcon i6 example wiring configurations haltech support** - Feb 18 2022

web ford falcon i6 example wiring configurations ford falcon i6 example wiring configurations vehicle compatibility ford falcon ba 02 05 i6 4 0 litre dohc vct barra engine with manual transmission ford falcon bf 05 08 i6 4 0 litre dohc vct barra engine with manual transmission ford falcon bf 05 08 i6 4 0 litre dohc

**ford falcon 2002 2016 haynes repair manuals guides** - Dec 31 2022

web 700 pictures diagrams of your vehicle suitable for novice and pro mechanics online edition only what's included use the online manual straight away includes all content of a printed manual fault finder diagnose 400 problems take on bigger jobs with haynes help wiring diagrams for key vehicle systems extra videos in online manual

*2008 2014 ford falcon fg repair manual dardoor* - Oct 29 2022

web sep 29 2023 description this is the original oem workshop document for the 2008 2014 ford falcon fg repair manual with the wiring diagram in pdf format contents 2008 2014 ford falcon repair manual general information identification codes jacking and lifting noise vibration and harshness suspension system general information

**fuse box location and diagrams ford falcon fg 2011 2012** - May 24 2022

web jun 12 2019 fuse box diagram location and assignment of electrical fuses and relays for ford falcon fg 2011 2012 see more on our website fuse box info ford ford falcon fg 2011 2012 fuses and

*ford falcon wiring diagram wiring digital and schematic* - Aug 27 2022

web apr 23 2021 a ford falcon wiring diagram is a comprehensive overview of the wiring system in your vehicle it includes detailed diagrams of each component including the battery fuse box alternator starter solenoid relays and wiring harnesses

ford falcon fg 2008 2014 free pdf factory service manual - Sep 08 2023

web ford workshop service manual for the ford falcon built from 2008 to 2014 covers models with the fg chassis type this manual details all repairs and maintenance details for the mechanical systems including driveline engine gearbox and rear differential suspension systems braking systems and steering components along with body chassis and

**ford falcon fg 2008 2014 service manual repair manual wiring** - Feb 01 2023

web english service manual repair manual and wiring diagrams for cars ford falcon fg 2008 2014 instant download language english format pdf file pages 3093 compatibility all versions of windows mac ios bb android etc printable yes no shipping costs instant downloadable manual

help of falcon central locking wiring diagram fordmods - Nov 17 2021

web falcon s run negative triggering meaning the appropriate line lock or unlock is earthed to operate the actuator btw if you have power windows there'll be other wires of the same colour in the loom as well you can use a meter and a needle to probe the wire for checking and identification

**fg falcon wiring diagram schematron org** - Apr 22 2022

web jul 1 2023 fg ford falcon wiring diagram in this site isn't the same as a solution manual you buy in a book store or download off the web tips support from top experts on fg falcon wiring diagram related issues wiring diagram for fg ford modifications website all of it attempting engine swap from standard to xr6 turbo

**wiring information the barra guide** - Nov 29 2022

web the ba bf fg pcm s all have provision for 3 connectors however the c connector is only utilised and will have pins present only on some models ie ba bf turbo ba bf lpg bf 4 and 5 speed auto fg turbo the a connector goes to the engine harness and connects items such as the coils injectors sensors throttle body etc

[ford falcon fg 2008 2014 service manual repair manual wiring](#) - Sep 27 2022

web english service manual repair manual and wiring diagrams for cars ford falcon fg 2008 2014 servicemanuals online

**fg ford falcon wiring diagram book learn copyblogger** - Dec 19 2021

web fg ford falcon wiring diagram fg ford falcon wiring diagram 2 downloaded from learn copyblogger com on 2021 02 25 by guest specifications of each engine along with tips for identifying both design differences and casting number s are shown in addition to this each engine s strong points and areas of concern are described in detail

**ford falcon service repair manuals free pdf** - May 04 2023

web electrical wiring diagrams ford falcon 2009 ford falcon fg electrical wiring manual this electrical wiring manual has been prepared to help inspection and service works involving electric wiring of the following model be done efficiently index wiring ford falcon bf and fpv gt gt p 2006 2008 service repair manual wiring diagram

[wiring schematics aff technical resources ford forums](#) - Apr 03 2023

web wiring and other diagrams aff technical resources content wiring schematics fg falcon wiring schematics by russellw 08 11 2022 07 54 am 11 22 by russellw 27 03 2023 02 08 pm 52 54 wiring schematics rating title article by last post replies views ford ka tb 1996 2007 fuse diagrams russellw 27 12 2017 09 09 am by

[ford falcon wiring diagram wiring diagram](#) - Mar 22 2022

web mar 27 2023 the ford falcon wiring diagram is an essential tool for any car repair project it provides a detailed overview of the electrical system including all its components and how they interact with each other with its easy to follow diagrams you can quickly identify and fix any electrical issue in your ford falcon using the ford falcon wiring

**fg x falcon aff technical resources ford forums** - Jun 24 2022

web aug 11 2022 fg x falcon for the last of the falcon models fg x falcon rating title article by last post replies views fg falcon wiring schematics russellw 08 11 2022 07 54 am by russellw 2 1 080 fg falcon fpv wiring schematics 2008 2011 new 09 2019 russellw 30 10 2021 06 14 am by australian ford forums forums

**2009 ford falcon fg electrical wiring manual cardiagn com** - Aug 07 2023

web this electrical wiring manual has been prepared to help inspection and service works involving electric wiring of the following model be done efficiently index wiring colour list module symbols junction box layout power distribution box layout adjustable pedals anti lock control tcs and dsc engine cooling dual fan

**fg falcon collection of resources relating to electrical and** - Jul 06 2023

web fg parking aid pdf fg wiring 400 to 419 pdf fg wiring 501 pdf fg wiring 700 06 conector location views pdf fg wiring 700 pdf fg wiring diagram pdf supplement module comms network hvac general info icc remove icc assembly component view location fg falcon mki workshop manual fordforums com au wiring

**ford falcon repair service manuals 72 pdf s** - Jul 26 2022

web detailed ford falcon engine and associated service systems for repairs and overhaul pdf ford falcon transmission data service manual pdf ford falcon brakes and suspension pdf ford falcon wiring diagrams looking for a free ford falcon haynes ford falcon chilton manuals

**falcon diagrams wiring wizard** - Jan 20 2022

web here you will find wiring diagrams related to the ford falcon early model falcon wiring diagram in c o l o r all on one sheet figure a as a gif file figure a as a pdf file same as above just black white figure b instrument gauge circuit 1960 1962 figure a electric wipers circuit figure a instrument voltage regulator

**ford falcon workshop manual 2008 2014 fg free factory** - Mar 02 2023

web quick service manual search search for your vehicle below to view related workshop and service manuals download a free pdf ford falcon workshop manual factory service manual repair manual for cars built between 2008 2014 suit fg series vehicles

*2008 2014 ford falcon fg service repair manual wiring diagrams* - Jun 05 2023

web 2008 2014 ford falcon fg service repair manual wiring diagrams available for free viewing pdf