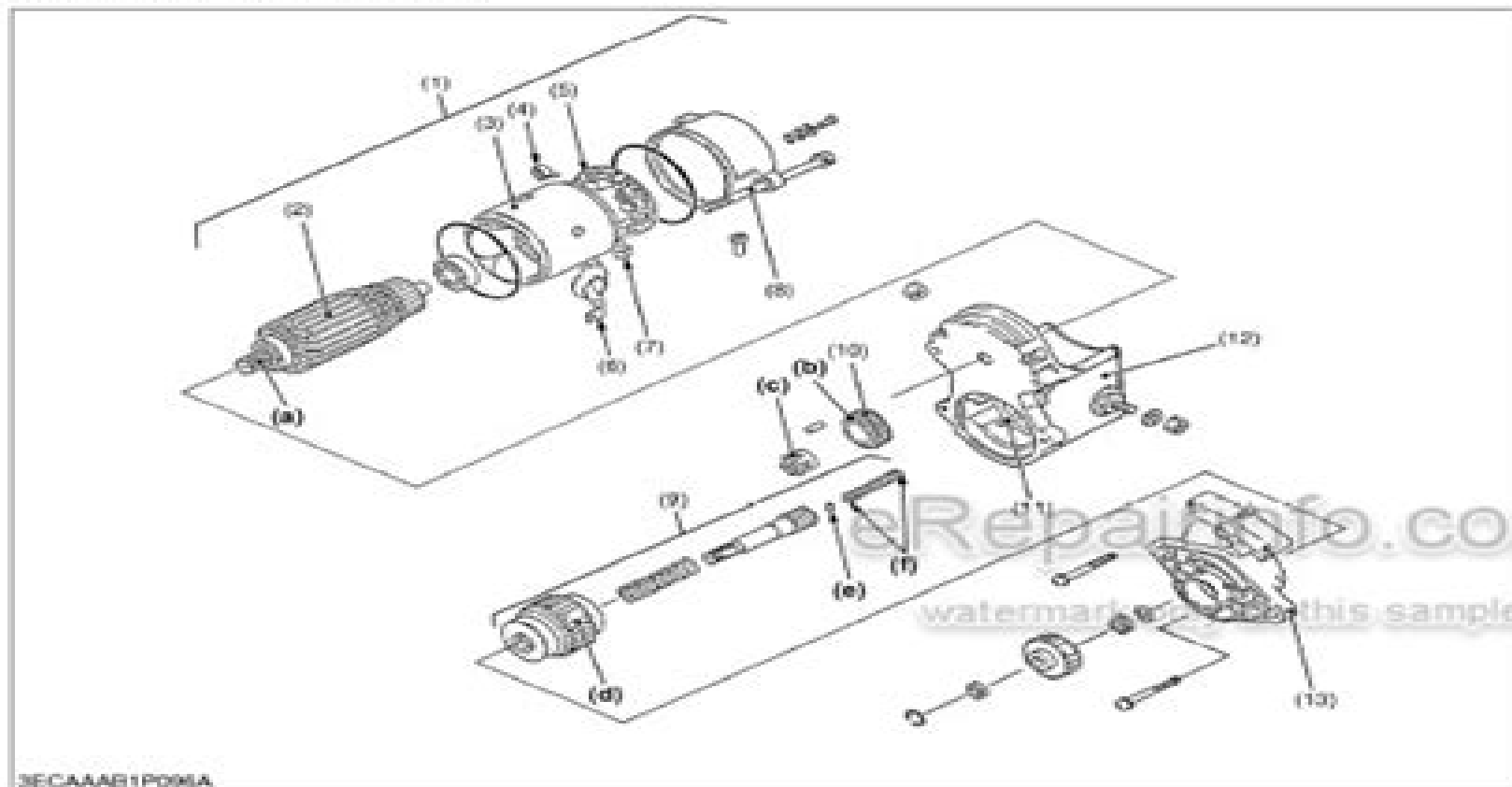


**Disassembling Starter (OC95-E4)**

3ECAAAB1P066A

(1) Motor	(5) Brush Holder	(8) Through Bolt	(11) Plunger
(2) Armature	(6) Connecting Lead	(9) Overrunning Clutch	(12) Magnet Switch
(3) Yoke	(7) Brush	(10) Idle Gear	(13) Housing
(4) Spring			

1. Disconnect the connecting lead (6).
2. Remove the two through bolts (8).
3. Detach the motor (1).
4. Draw out the brush (7) while holding the spring (4) up.
5. Remove the brush holder (5).
6. Draw out the armature (2) from the yoke (3).
7. Remove the housing (13).
8. Remove the idle gear (10) and the overrunning clutch (9).
9. Remove the end cover of magnet switch (12).
10. Remove the plunger (11).

**(To be continued)**

# Kubota Oc95 Service Manual

**Lauren Gardner**



**Kubota Oc95 Service Manual:**

**Service Manual** Caterpillar Inc,1993      **427 Single Overhead Cam Engine Service Manual** Ford MotorCo,2014-12-04 This is a reprint of the original service manual for the 427 Single Overhead Cam engine produced by FordMotorCo      *Service Manual* Caterpillar Tractor Company,1979      **Series 92 Service Manual** Detroit Diesel Corporation,1988      *Chevrolet Engine Service Manual for 'C and E' Series Bedford ,197?*      Service Manuals; OC-4 Tractor Engines, Technical Service Data Oliver Corporation,Charles City (Iowa),1963      **Onan Service Manual** Onan Corporation,19??      **Service Manual, Disassembly and Assembly ,197?**

This is likewise one of the factors by obtaining the soft documents of this **Kubota Oc95 Service Manual** by online. You might not require more time to spend to go to the books introduction as without difficulty as search for them. In some cases, you likewise reach not discover the revelation Kubota Oc95 Service Manual that you are looking for. It will extremely squander the time.

However below, afterward you visit this web page, it will be fittingly utterly easy to get as with ease as download guide Kubota Oc95 Service Manual

It will not understand many mature as we run by before. You can accomplish it while deed something else at home and even in your workplace. hence easy! So, are you question? Just exercise just what we allow under as capably as review **Kubota Oc95 Service Manual** what you when to read!

<http://www.armchairempire.com/data/browse/fetch.php/lifes%20devices%20the%20physical%20world%20of%20animals%20and%20plants%20princeton%20paperbacks.pdf>

## **Table of Contents Kubota Oc95 Service Manual**

1. Understanding the eBook Kubota Oc95 Service Manual
  - The Rise of Digital Reading Kubota Oc95 Service Manual
  - Advantages of eBooks Over Traditional Books
2. Identifying Kubota Oc95 Service Manual
  - Exploring Different Genres
  - Considering Fiction vs. Non-Fiction
  - Determining Your Reading Goals
3. Choosing the Right eBook Platform
  - Popular eBook Platforms
  - Features to Look for in an Kubota Oc95 Service Manual
  - User-Friendly Interface

4. Exploring eBook Recommendations from Kubota Oc95 Service Manual
  - Personalized Recommendations
  - Kubota Oc95 Service Manual User Reviews and Ratings
  - Kubota Oc95 Service Manual and Bestseller Lists
5. Accessing Kubota Oc95 Service Manual Free and Paid eBooks
  - Kubota Oc95 Service Manual Public Domain eBooks
  - Kubota Oc95 Service Manual eBook Subscription Services
  - Kubota Oc95 Service Manual Budget-Friendly Options
6. Navigating Kubota Oc95 Service Manual eBook Formats
  - ePub, PDF, MOBI, and More
  - Kubota Oc95 Service Manual Compatibility with Devices
  - Kubota Oc95 Service Manual Enhanced eBook Features
7. Enhancing Your Reading Experience
  - Adjustable Fonts and Text Sizes of Kubota Oc95 Service Manual
  - Highlighting and Note-Taking Kubota Oc95 Service Manual
  - Interactive Elements Kubota Oc95 Service Manual
8. Staying Engaged with Kubota Oc95 Service Manual
  - Joining Online Reading Communities
  - Participating in Virtual Book Clubs
  - Following Authors and Publishers Kubota Oc95 Service Manual
9. Balancing eBooks and Physical Books Kubota Oc95 Service Manual
  - Benefits of a Digital Library
  - Creating a Diverse Reading Collection Kubota Oc95 Service Manual
10. Overcoming Reading Challenges
  - Dealing with Digital Eye Strain
  - Minimizing Distractions
  - Managing Screen Time
11. Cultivating a Reading Routine Kubota Oc95 Service Manual
  - Setting Reading Goals Kubota Oc95 Service Manual
  - Carving Out Dedicated Reading Time

12. Sourcing Reliable Information of Kubota Oc95 Service Manual
  - Fact-Checking eBook Content of Kubota Oc95 Service Manual
  - Distinguishing Credible Sources
13. Promoting Lifelong Learning
  - Utilizing eBooks for Skill Development
  - Exploring Educational eBooks
14. Embracing eBook Trends
  - Integration of Multimedia Elements
  - Interactive and Gamified eBooks

### **Kubota Oc95 Service Manual Introduction**

In today's digital age, the availability of Kubota Oc95 Service Manual books and manuals for download has revolutionized the way we access information. Gone are the days of physically flipping through pages and carrying heavy textbooks or manuals. With just a few clicks, we can now access a wealth of knowledge from the comfort of our own homes or on the go. This article will explore the advantages of Kubota Oc95 Service Manual books and manuals for download, along with some popular platforms that offer these resources. One of the significant advantages of Kubota Oc95 Service Manual books and manuals for download is the cost-saving aspect. Traditional books and manuals can be costly, especially if you need to purchase several of them for educational or professional purposes. By accessing Kubota Oc95 Service Manual versions, you eliminate the need to spend money on physical copies. This not only saves you money but also reduces the environmental impact associated with book production and transportation. Furthermore, Kubota Oc95 Service Manual books and manuals for download are incredibly convenient. With just a computer or smartphone and an internet connection, you can access a vast library of resources on any subject imaginable. Whether you're a student looking for textbooks, a professional seeking industry-specific manuals, or someone interested in self-improvement, these digital resources provide an efficient and accessible means of acquiring knowledge. Moreover, PDF books and manuals offer a range of benefits compared to other digital formats. PDF files are designed to retain their formatting regardless of the device used to open them. This ensures that the content appears exactly as intended by the author, with no loss of formatting or missing graphics. Additionally, PDF files can be easily annotated, bookmarked, and searched for specific terms, making them highly practical for studying or referencing. When it comes to accessing Kubota Oc95 Service Manual books and manuals, several platforms offer an extensive collection of resources. One such platform is Project Gutenberg, a nonprofit organization that provides over 60,000 free eBooks. These books are primarily in the public domain, meaning they can be freely distributed and downloaded. Project

Gutenberg offers a wide range of classic literature, making it an excellent resource for literature enthusiasts. Another popular platform for Kubota Oc95 Service Manual books and manuals is Open Library. Open Library is an initiative of the Internet Archive, a non-profit organization dedicated to digitizing cultural artifacts and making them accessible to the public. Open Library hosts millions of books, including both public domain works and contemporary titles. It also allows users to borrow digital copies of certain books for a limited period, similar to a library lending system. Additionally, many universities and educational institutions have their own digital libraries that provide free access to PDF books and manuals. These libraries often offer academic texts, research papers, and technical manuals, making them invaluable resources for students and researchers. Some notable examples include MIT OpenCourseWare, which offers free access to course materials from the Massachusetts Institute of Technology, and the Digital Public Library of America, which provides a vast collection of digitized books and historical documents. In conclusion, Kubota Oc95 Service Manual books and manuals for download have transformed the way we access information. They provide a cost-effective and convenient means of acquiring knowledge, offering the ability to access a vast library of resources at our fingertips. With platforms like Project Gutenberg, Open Library, and various digital libraries offered by educational institutions, we have access to an ever-expanding collection of books and manuals. Whether for educational, professional, or personal purposes, these digital resources serve as valuable tools for continuous learning and self-improvement. So why not take advantage of the vast world of Kubota Oc95 Service Manual books and manuals for download and embark on your journey of knowledge?

### **FAQs About Kubota Oc95 Service Manual Books**

How do I know which eBook platform is the best for me? Finding the best eBook platform depends on your reading preferences and device compatibility. Research different platforms, read user reviews, and explore their features before making a choice. Are free eBooks of good quality? Yes, many reputable platforms offer high-quality free eBooks, including classics and public domain works. However, make sure to verify the source to ensure the eBook credibility. Can I read eBooks without an eReader? Absolutely! Most eBook platforms offer web-based readers or mobile apps that allow you to read eBooks on your computer, tablet, or smartphone. How do I avoid digital eye strain while reading eBooks? To prevent digital eye strain, take regular breaks, adjust the font size and background color, and ensure proper lighting while reading eBooks. What the advantage of interactive eBooks? Interactive eBooks incorporate multimedia elements, quizzes, and activities, enhancing the reader engagement and providing a more immersive learning experience. Kubota Oc95 Service Manual is one of the best book in our library for free trial. We provide copy of Kubota Oc95 Service Manual in digital format, so the resources that you find are reliable. There are also many Ebooks of related with Kubota Oc95 Service Manual. Where to

download Kubota Oc95 Service Manual online for free? Are you looking for Kubota Oc95 Service Manual PDF? This is definitely going to save you time and cash in something you should think about.

**Find Kubota Oc95 Service Manual :**

[lifes devices the physical world of animals and plants princeton paperbacks](#)

**life on the edge the next generations guide to a meaningful future**

**life laid bare the survivors in rwanda speak**

**light duty trucks unit repair manual with supplement**

*lifan 250cc manual*

**library of topologies power beyond territory networks**

*lifan loncin 156fmi 163fml and others engine manual*

**lichtwolf schotter zeitschrift trotz philosophie ebook**

*life orientation exemplar 2014 grade 12*

**liebherr d934 a6 936 a6 diesel engine service manual**

[life care planning and case management handbook second edition](#)

**life s little blessings life s little blessings**

**life on route 66 life on route 66**

[life orientation exam paper 2013 grade 10](#)

[life space crisis intervention study guide](#)

**Kubota Oc95 Service Manual :**

**the purpose driven life 100 illustrated devotions for children** - Aug 03 2022

web apr 2 2019 based on the wisdom that has helped millions of readers throughout the world the purpose driven life 100 illustrated devotions for children uses the principles found in pastor rick warren s life changing bestseller the purpose driven life and delivers them as devotions that speak directly to the

*the purpose driven life 100 illustrated devotions for children* - Dec 07 2022

web read the purpose driven life 100 illustrated devotions for children by rick warren morgan huff for free on hoopla based on the same proven wisdom that has touched millions of adult lives these engaging devotions b hoopladigital com

[the purpose driven life 100 illustrated devotions for children](#) - Jan 28 2022



web the purpose driven life 100 illustrated devotions for children uses the principles found in pastor rick warren s life changing bestseller the purpose driven life but delivers them as devotions that speak directly to the daily challenges kids face paired with powerful scripture passages and engaging illustrations little ones will find the

[the purpose driven life 100 illustrated devotions for children](#) - May 12 2023

web the purpose driven life 100 illustrated devotions for children is written especially for kids ages 4 8 to grow confident of how much god values them provides easy to read devotions scripture passages that children can easily understand and charming illustrations gives real world applications for young children to begin discovering their

**the purpose driven life 100 illustrated devotions for children** - Feb 26 2022

web based on the wisdom that has helped millions of readers throughout the world the purpose driven life 100 illustrated devotions for children uses the principles found in pastor rick warren s life changing bestseller the purpose driven life and delivers them as devotions that speak directly to the daily challenges kid

**the purpose driven life 100 illustrated devotions for children** - Aug 15 2023

web apr 2 2019 the purpose driven life 100 illustrated devotions for children is written especially for kids ages 4 8 to grow confident of how much god values them provides easy to read devotions scripture passages that children can easily understand and charming illustrations

**the purpose driven life 100 illustrated devotions for children** - Dec 27 2021

web apr 2 2019 the purpose driven life 100 illustrated devotions for children ebook warren rick huff morgan amazon ca books

*the purpose driven life 100 illustrated devotions for children* - Sep 04 2022

web the purpose driven life 100 illustrated devotions for children purpose driven life rick warren with morgan huff illustrator

**amazon com customer reviews the purpose driven life 100 illustrated** - Mar 30 2022

web jun 28 2021 find helpful customer reviews and review ratings for the purpose driven life 100 illustrated devotions for children at amazon com read honest and unbiased product reviews from our users

[the purpose driven life 100 illustrated devotions for children overdrive](#) - Jul 02 2022

web apr 2 2019 the purpose driven life 100 illustrated devotions for children is written especially for kids ages 4 8 to grow confident of how much god values them provides easy to read devotions scripture passages that children can easily understand and charming illustrations gives real world applications for young children to begin

[the purpose driven life 100 illustrated devotions for children](#) - Feb 09 2023

web the purpose driven life 100 illustrated devotions for children is filled with principles found in the purpose driven life plus relevant scripture and real life stories geared just for kids each devotion speaks directly to the challenges the children or

grandchildren in your life face every day

[the purpose driven life 100 illustrated devotions for children](#) - Mar 10 2023

web the purpose driven life 100 illustrated devotions for children provides relevant devotions and scripture passages that speak directly to the daily challenges kids face gives real world applications for young girls and boys to begin discovering their purpose

**the purpose driven life 100 illustrated devotions for children** - Apr 11 2023

web summary a devotional written especially for children 4 8 from the 1 international bestseller the purpose driven life by rick warren the purpose driven life 100 illustrated devotions for children will help young readers understand god s amazing plan for them both now and for eternity

**the purpose driven life 100 illustrated devotions for children** - Jan 08 2023

web the purpose driven life 100 illustrated devotions for children warren rick huff morgan amazon in books

[the purpose driven life 100 illustrated devotions for children by](#) - Nov 06 2022

web the purpose driven life 100 illustrated devotions for children uses the principles found in pastor rick warren s life changing bestseller the purpose driven life but delivers them as devotions that speak directly to the daily challenges kids face

[the purpose driven life 100 devotions for children christianbook com](#) - Jul 14 2023

web the purpose driven life 100 illustrated devotions for children is written especially for kids ages 4 8 to grow confident of how much god values them provides easy to read devotions scripture passages that children can easily

[purpose driven life 100 devotions for children harpercollins](#) - Apr 30 2022

web a devotional written especially for children 4 8 from the 1 international bestseller the purpose driven life by rick warren the purpose driven life 100 illustrated devotions for children will help young readers understand

[the purpose driven life 100 illustrated devotions for children ebook](#) - Jun 01 2022

web the purpose driven life 100 devotions for children will help young readers understand god s amazing plan for them thoughtful and engaging devotions written for children and paired with vibrant illustrations this devotional will help readers understand god s amazing plan for them

**the purpose driven life 100 illustrated devotions for children** - Oct 05 2022

web the purpose driven life 100 illustrated devotions for children ebook written by rick warren read this book using google play books app on your pc android ios devices download for offline reading highlight bookmark or take notes while you read the purpose driven life 100 illustrated devotions for children

*the purpose driven life 100 illustrated devotions for children* - Jun 13 2023

web apr 2 2019 the purpose driven life 100 illustrated devotions for children is written especially for kids ages 4 8 to grow

confident of how much god values them provides easy to read devotions scripture passages that children can easily understand and charming illustrations

*mathematics admissions tests seameo relc* - Mar 29 2022

web for application to the university of warwick for the mathematics bsc degree or master of mathematics applicants are encouraged to take the mat step or the test of mathematics for university admission mat is a hybrid test with computer based questions and a paper answer booklet important notes

unlv the department of mathematical sciences information regarding math - Sep 15 2023

web unlv university of nevada las vegas the department of mathematical sciences information regarding math 124 final exam revised 3 8 2018 while all material covered in the syllabus is essential for success in the course the following material will be stressed on the final exam

**math 124 final exam math 1 24 spring 2020 final exam m studocu** - Jul 01 2022

web math 1 24 spring 2020 final exam m w solve  $2 \cos 2 \sin 2$  02 6 points find all solutions for triangle 3 yd 5 yd 4 yd round lengths to math 124 name final exam mckeague 8th ed follow these steps exactly as written do one of the following print out the exam document and write directly on

math 124 college algebra coursicle - Jan 07 2023

web math 124 at the university of nevada las vegas unlv in las vegas nevada equations and inequalities relations and functions linear quadratic polynomial exponential and logarithm functions systems of linear equations and inequalities matrices sequences and series binomial theorem

math 124 unlv college algebra studocu - Aug 14 2023

web show all 14 documents studying math 124 college algebra at university of nevada las vegas on studocu you will find 86 lecture notes coursework assignments essays practice materials

mathematics temasek junior college - Apr 29 2022

web our mathematics curriculum seeks to develop thinking reasoning communication and modelling skills through a mathematical approach to problem solving they are taught to connect ideas within mathematics and apply mathematics in various disciplines in their tertiary studies they are also guided to experience and appreciate the value of

**syllabus of math 124 college algebra summer modular may** - Feb 08 2023

web syllabus of math 124 college algebra summer modular may 28 july 5 2019 text college algebra by j a beecher j a penna m l bittinger 5th edition pearson 2016 time and place of class meeting motuwethfr

*student resources unlv university of nevada las vegas* - Nov 05 2022

web unlv math competitions the mathematical competition activities at unlv consist of a semester long workshop on problem

solving the annual unlv mathematical competition and the william lowell putnam mathematical competition the local version of the putnam exam is open to all undergraduate students at unlv

**math 124e college algebra expanded course** - Oct 04 2022

web math 124e at the university of nevada las vegas unlv in las vegas nevada equations and inequalities relations and functions linear quadratic polynomial exponential and logarithm functions systems of linear equations and inequalities matrices sequences and series binomial theorem

**course information unlv university of nevada las vegas** - May 11 2023

web if your course has a common final exam math 95 96 120 124 126 127 128 and 132 the dms will design and implement the final exam for your course for those classes with group administered exams you will be required to assist in the implementation which is often a large group common final for all students

math 124 college algebra a catalog acms university of - Mar 09 2023

web math 124 college algebra equations and inequalities relations and functions linear quadratic polynomial exponential and logarithm functions systems of linear equations and inequalities matrices sequences and series binomial theorem

*final examination schedule office of the registrar university of* - Apr 10 2023

web math finals math 132 will be given on the saturday before finals week from 8 10 a m math 126 will be given on the saturday before finals week from 10 30 a m 12 30 p m math 127 will be given on the friday of finals week from 10 10 a m 12 10 p m

**singapore math global assessments** - May 31 2022

web singa math has been born welcome to singa math where we share the best practices in mathematics learning and students gauge how good they are at math this is a new international singapore mathematics assessment for grades 1 to 11 12 written by top singapore ministry of education moe teachers that will be offered to every country in the

math 124 college algebra unlv course hero - Jun 12 2023

web access study documents get answers to your study questions and connect with real tutors for math 124 college algebra at university of nevada las vegas

**math home department of mathematical sciences university of unlv** - Dec 06 2022

web mathematical sciences ph d candidate hails math as queen of sciences jorge reyes touted the importance of diversifying the field at the graduate college s annual inspiration innovation impact event student success tips from an honors star

unlv math 124 final exam flashcards quizlet - Oct 16 2023

web study with quizlet and memorize flashcards containing terms like midpoint distance slope and more

math 124cx college algebra spring 2020 university of - Jul 13 2023

web your final exam will contain assessment questions common to all sections of this course formula cards and calculators are not permitted on the final exam letter grades will be assigned according to the following scale

*secondary one to four ministry of education moe* - Feb 25 2022

web the final stage of compulsory mathematics education students have different needs for and inclinations towards mathematics for some students mathematics is just a tool to be used to meet the needs of everyday life for these students formal mathematics education may end at the secondary levels

**math 124 final exam week 10 university of washington** - Sep 03 2022

web final exams week 10 this page archives old common final exams for practice topic pdf file final exam spring 2023 final pdf and answers final exam winter 2023

math 124 exam 3 math 124 spring 2020 exam 3 m w follow - Aug 02 2022

web math 124 exam 3 mckeague 8th ed chapters 5 and 6 name m w math 124 spring 2020 exam 3 m w 2 let 2 cos 5 a with a in qiii and let 3 sin 5 b with b in qii find each of the following a cos ab b sin 2 a c cos 2 b d sin 2 a math 124 spring 2020 exam 3 m w 4

**meeting the living god paperback 4 september 2012** - Aug 24 2022

web buy meeting the living god by william j o malley s j online at alibris we have new and used copies available in 3 editions starting at 1 45 shop now

**fed keeps rates unchanged the wall street journal** - Oct 14 2021

web 1 day ago pope francis delivers a blessing at the vatican on sunday november 5 gregorio borgia ap pope francis said on sunday that he begs in god s name for a

*meeting the living god fourth edition paperback amazon* - Aug 04 2023

web meeting the living god fourth edition o malley sj william j amazon sg books

**meeting the living god by william j o malley open library** - May 01 2023

web jan 1 1998 overview widely used by high school juniors and seniors in catholic religion classes the best selling meeting the living god is that rarest of texts a book that

meeting the living god amazon com - Sep 05 2023

web jul 1 1998 a completely revised edition of the book that has sold more than 70 000 copies for use in catholic high schools it tackles the god problem in terms that high school

*un says agency in gaza practically out of business as it* - Aug 12 2021

web 2 days ago buttler did speak this is what he said i feel like we are having the same chat after every game at the minute there were improvements again today we got back to

**pope francis issues plea for ceasefire in israel hamas conflict** - Sep 12 2021

web nov 3 2023 this is where we ll wrap up this blog we ll continue our rolling live coverage of the israel hamas war on a new blog here thanks for joining us here s a look at

[meeting the living god fourth edition barnes noble](#) - Sep 24 2022

web hello select your address all

*meeting the living god worldcat org* - Dec 28 2022

web meeting the living god fourth edition william j o malley on amazon com au free shipping on eligible orders meeting the living god fourth edition

**england out of cricket world cup after defeat by australia as it** - Jul 11 2021

[meeting living god abebooks](#) - May 21 2022

web may 25 2021 meeting the living god english edition de william j o malley descripción a completely revised edition of the book that has sold more than 70 000 copies for use in catholic high schools it tackles the god problem in terms that high school students can understand in their language and from the perspective of their culture

**meeting the living god fourth edition amazon com** - Jun 02 2023

web meeting the living god by william j o malley 2014 paulist press edition in english fourth edition

*meeting the living god fourth edition paperback* - Nov 26 2022

web buy meeting the living god by william j o malley s j online at alibris we have new and used copies available in 2 editions starting at 0 99 shop now

**meeting the living god english edition copy uniport edu** - Mar 19 2022

web jun 18 2023 meeting the living god english edition by william j o malley below you wont be mystified to enjoy every book compilations meeting the living god english

**meeting the living god by william j o malley s j alibris** - Oct 26 2022

web feb 23 2015 a best seller now in its fourth edition that tackles the god problem in terms that high school students can understand in their language and from the

**meeting the living god english edition by william j o malley** - Jun 21 2022

web god questions meeting the living god by o malley sj william j and a great selection of related books art and collectibles available now at abebooks co uk

*meeting the living god by william j o malley s j alibris* - Jul 23 2022

web meeting the living god english edition by william j o malley meeting the living god english edition by william j o malley

hebrews 10 esv bible hub wisconsin woman

[meeting the living god william j o malley google books](#) - Jan 29 2023

web meeting the living god author william j o malley ebook english 1984 edition rev ed view all formats and editions

publisher paulist press new york 1984 show more

[descargar meeting the living god english edition de william j](#) - Apr 19 2022

web may 8 2023 meeting the living god english edition 2 10 downloaded from uniport edu ng on may 8 2023 by guest spirit of the living god by adebo jimmy

**meeting sang kota the ghost bird 1 1 goodreads** - Jan 17 2022

web discover and share books you love on goodreads

**loading interface goodreads** - Dec 16 2021

web nov 1 2023 israel hamas war hezbollah chief promises pressure on israel blinken returns to mideast latest updates

hassan nasrallah chief of the lebanese militant

**meeting the living god o malley william j archive org** - Oct 06 2023

web meeting the living god by o malley william j publication date 1984 topics youth christian education publisher new york paulist press

**meeting the living god by william j o malley** - Jul 03 2023

web paperback june 2 2014 by william j o malley sj author 5 0 4 ratings see all formats and editions if there is in fact no god

no entity outside our minds to validate the idea

*meeting the living god english edition by william j o malley* - Feb 15 2022

web dec 24 2015 c l stone 4 27 2 770 ratings97 reviews kota lee has been trying for weeks to get the girl up the street to notice him she s beautiful and intriguing but seems

[buy new used books online with free shipping better world](#) - Feb 27 2023

web if there is in fact no god no entity outside our minds to validate the idea even atheists have of god then all theology all belief all religion is a delusion whichever conclusion

*israel hamas war live updates hezbollah chief nasrallah* - Nov 14 2021

web nov 1 2023 the federal reserve kept interest rates unchanged on wednesday the decision marked the second

consecutive meeting at which the fed left rates unchanged

*meeting the living god by william j o malley barnes noble* - Mar 31 2023

web jan 1 1998 widely used by high school juniors and seniors in catholic religion classes the best selling meeting the living god is that rarest of texts a book that engages on every

