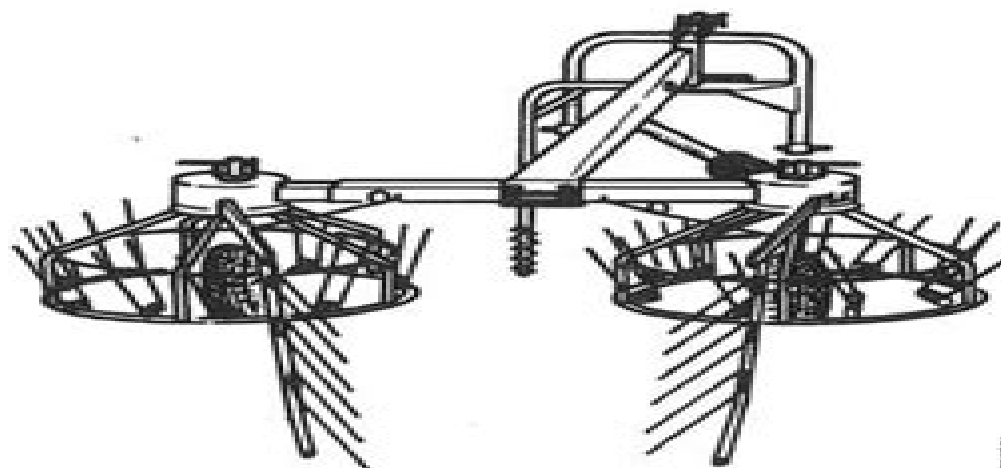




HAYBOB/STRELA 380

**GEBRUIKSHANDLEIDING
OPERATION MANUAL
BETRIEBSANLEITUNG
MANUEL D'UTILISATION
MANUAL DE EMPLEO**



1000

NL-EN-DE-FR-ES

G9509TN

Kuhn Haybob 380 Manual

L Darling-Hammond



Kuhn Haybob 380 Manual:

Power Farming in Australia and New Zealand Technical Manual ,1975

Ignite the flame of optimism with Get Inspired by is motivational masterpiece, Find Positivity in **Kuhn Haybob 380 Manual** . In a downloadable PDF format (Download in PDF: *), this ebook is a beacon of encouragement. Download now and let the words propel you towards a brighter, more motivated tomorrow.

<http://www.armchairempire.com/data/browse/Documents/hatz%20diesel%20repair%20e%20571%20manual.pdf>

Table of Contents Kuhn Haybob 380 Manual

1. Understanding the eBook Kuhn Haybob 380 Manual
 - The Rise of Digital Reading Kuhn Haybob 380 Manual
 - Advantages of eBooks Over Traditional Books
2. Identifying Kuhn Haybob 380 Manual
 - Exploring Different Genres
 - Considering Fiction vs. Non-Fiction
 - Determining Your Reading Goals
3. Choosing the Right eBook Platform
 - Popular eBook Platforms
 - Features to Look for in an Kuhn Haybob 380 Manual
 - User-Friendly Interface
4. Exploring eBook Recommendations from Kuhn Haybob 380 Manual
 - Personalized Recommendations
 - Kuhn Haybob 380 Manual User Reviews and Ratings
 - Kuhn Haybob 380 Manual and Bestseller Lists
5. Accessing Kuhn Haybob 380 Manual Free and Paid eBooks
 - Kuhn Haybob 380 Manual Public Domain eBooks
 - Kuhn Haybob 380 Manual eBook Subscription Services
 - Kuhn Haybob 380 Manual Budget-Friendly Options
6. Navigating Kuhn Haybob 380 Manual eBook Formats

- ePub, PDF, MOBI, and More
 - Kuhn Haybob 380 Manual Compatibility with Devices
 - Kuhn Haybob 380 Manual Enhanced eBook Features
7. Enhancing Your Reading Experience
 - Adjustable Fonts and Text Sizes of Kuhn Haybob 380 Manual
 - Highlighting and Note-Taking Kuhn Haybob 380 Manual
 - Interactive Elements Kuhn Haybob 380 Manual
 8. Staying Engaged with Kuhn Haybob 380 Manual
 - Joining Online Reading Communities
 - Participating in Virtual Book Clubs
 - Following Authors and Publishers Kuhn Haybob 380 Manual
 9. Balancing eBooks and Physical Books Kuhn Haybob 380 Manual
 - Benefits of a Digital Library
 - Creating a Diverse Reading Collection Kuhn Haybob 380 Manual
 10. Overcoming Reading Challenges
 - Dealing with Digital Eye Strain
 - Minimizing Distractions
 - Managing Screen Time
 11. Cultivating a Reading Routine Kuhn Haybob 380 Manual
 - Setting Reading Goals Kuhn Haybob 380 Manual
 - Carving Out Dedicated Reading Time
 12. Sourcing Reliable Information of Kuhn Haybob 380 Manual
 - Fact-Checking eBook Content of Kuhn Haybob 380 Manual
 - Distinguishing Credible Sources
 13. Promoting Lifelong Learning
 - Utilizing eBooks for Skill Development
 - Exploring Educational eBooks
 14. Embracing eBook Trends
 - Integration of Multimedia Elements
 - Interactive and Gamified eBooks

Kuhn Haybob 380 Manual Introduction

In this digital age, the convenience of accessing information at our fingertips has become a necessity. Whether its research papers, eBooks, or user manuals, PDF files have become the preferred format for sharing and reading documents. However, the cost associated with purchasing PDF files can sometimes be a barrier for many individuals and organizations. Thankfully, there are numerous websites and platforms that allow users to download free PDF files legally. In this article, we will explore some of the best platforms to download free PDFs. One of the most popular platforms to download free PDF files is Project Gutenberg. This online library offers over 60,000 free eBooks that are in the public domain. From classic literature to historical documents, Project Gutenberg provides a wide range of PDF files that can be downloaded and enjoyed on various devices. The website is user-friendly and allows users to search for specific titles or browse through different categories. Another reliable platform for downloading Kuhn Haybob 380 Manual free PDF files is Open Library. With its vast collection of over 1 million eBooks, Open Library has something for every reader. The website offers a seamless experience by providing options to borrow or download PDF files. Users simply need to create a free account to access this treasure trove of knowledge. Open Library also allows users to contribute by uploading and sharing their own PDF files, making it a collaborative platform for book enthusiasts. For those interested in academic resources, there are websites dedicated to providing free PDFs of research papers and scientific articles. One such website is Academia.edu, which allows researchers and scholars to share their work with a global audience. Users can download PDF files of research papers, theses, and dissertations covering a wide range of subjects. Academia.edu also provides a platform for discussions and networking within the academic community. When it comes to downloading Kuhn Haybob 380 Manual free PDF files of magazines, brochures, and catalogs, Issuu is a popular choice. This digital publishing platform hosts a vast collection of publications from around the world. Users can search for specific titles or explore various categories and genres. Issuu offers a seamless reading experience with its user-friendly interface and allows users to download PDF files for offline reading. Apart from dedicated platforms, search engines also play a crucial role in finding free PDF files. Google, for instance, has an advanced search feature that allows users to filter results by file type. By specifying the file type as "PDF," users can find websites that offer free PDF downloads on a specific topic. While downloading Kuhn Haybob 380 Manual free PDF files is convenient, it is important to note that copyright laws must be respected. Always ensure that the PDF files you download are legally available for free. Many authors and publishers voluntarily provide free PDF versions of their work, but it is essential to be cautious and verify the authenticity of the source before downloading Kuhn Haybob 380 Manual. In conclusion, the internet offers numerous platforms and websites that allow users to download free PDF files legally. Whether its classic literature, research papers, or magazines, there is something for everyone. The platforms mentioned in this article, such as Project Gutenberg, Open Library, Academia.edu, and Issuu, provide access to a vast collection of PDF files. However, users should always be

cautious and verify the legality of the source before downloading Kuhn Haybob 380 Manual any PDF files. With these platforms, the world of PDF downloads is just a click away.

FAQs About Kuhn Haybob 380 Manual Books

1. Where can I buy Kuhn Haybob 380 Manual books? Bookstores: Physical bookstores like Barnes & Noble, Waterstones, and independent local stores. Online Retailers: Amazon, Book Depository, and various online bookstores offer a wide range of books in physical and digital formats.
2. What are the different book formats available? Hardcover: Sturdy and durable, usually more expensive. Paperback: Cheaper, lighter, and more portable than hardcovers. E-books: Digital books available for e-readers like Kindle or software like Apple Books, Kindle, and Google Play Books.
3. How do I choose a Kuhn Haybob 380 Manual book to read? Genres: Consider the genre you enjoy (fiction, non-fiction, mystery, sci-fi, etc.). Recommendations: Ask friends, join book clubs, or explore online reviews and recommendations. Author: If you like a particular author, you might enjoy more of their work.
4. How do I take care of Kuhn Haybob 380 Manual books? Storage: Keep them away from direct sunlight and in a dry environment. Handling: Avoid folding pages, use bookmarks, and handle them with clean hands. Cleaning: Gently dust the covers and pages occasionally.
5. Can I borrow books without buying them? Public Libraries: Local libraries offer a wide range of books for borrowing. Book Swaps: Community book exchanges or online platforms where people exchange books.
6. How can I track my reading progress or manage my book collection? Book Tracking Apps: Goodreads, LibraryThing, and Book Catalogue are popular apps for tracking your reading progress and managing book collections. Spreadsheets: You can create your own spreadsheet to track books read, ratings, and other details.
7. What are Kuhn Haybob 380 Manual audiobooks, and where can I find them? Audiobooks: Audio recordings of books, perfect for listening while commuting or multitasking. Platforms: Audible, LibriVox, and Google Play Books offer a wide selection of audiobooks.
8. How do I support authors or the book industry? Buy Books: Purchase books from authors or independent bookstores. Reviews: Leave reviews on platforms like Goodreads or Amazon. Promotion: Share your favorite books on social media or recommend them to friends.
9. Are there book clubs or reading communities I can join? Local Clubs: Check for local book clubs in libraries or

community centers. Online Communities: Platforms like Goodreads have virtual book clubs and discussion groups.

10. Can I read Kuhn Haybob 380 Manual books for free? Public Domain Books: Many classic books are available for free as they're in the public domain. Free E-books: Some websites offer free e-books legally, like Project Gutenberg or Open Library.

Find Kuhn Haybob 380 Manual :

hatz diesel repair e 571 manual

harris prc 117f remote manual

harley davidson service manual dyna wide glide front blinker location

havanese complete pet owners manual

hatz diesel workshop manual for type 1b40

hatte einmal schimpanzen malbuch german

harley ironhead repair manual

hassan and aneesa go to masjid

harley xl1200n service manual

hartje zomer en andere verhalen

hatz e88 parts manual

harley davidson touring 2007 workshop service manual repair

[hawaii national geographic adventure map](#)

harley davidson street glide manual 2010

[harman kardon avr340 service manual repair guide](#)

Kuhn Haybob 380 Manual :

filet et macrama c manu cadets copy mucho goldenpalace - Jul 20 2023

web 4 filet et macrama c manu cadets 2021 11 20 hand knotted pieces modern macramé is a stylish contemporary guide to the traditional art and craft of macramé including 33 projects from driftwood wall art and bohemian light fixtures to macramé rugs and headboards the projects are showcased in easy to follow and photogenic project layouts

filet et macrama c manu cadets pdf jamestbaird com - Nov 12 2022

web filet et macrama c manu cadets pdf when people should go to the ebook stores search start by shop shelf by shelf it is in

reality problematic this is why we provide the books compilations in this website it will very ease you to see guide filet et macrama c

filet et macramÉ manu cadets eur 16 00 picclick fr - Mar 16 2023

web filet et macramé manu cadets eur 16 00 achat immédiat livraison gratuite 14 jour retours garantie client ebay vendeur fleur2sapience 21 269 100 lieu où se trouve ambierle fr lieu de livraison worldwide numéro de l objet 193035210251

filet et macrama c manu cadets pdf - Sep 10 2022

web filet et macrama c manu cadets pdf recognizing the way ways to get this books filet et macrama c manu cadets pdf is additionally useful you have remained in right site to begin getting this info acquire the filet et macrama c manu cadets pdf associate that we come up with the money for here and check out the link

filet et macramé manu cadets by guillemette de beauvillé - Jan 14 2023

web filet et macramé manu cadets by guillemette de beauvillé author groover sch bme hu 2023 09 11 20 52 49 subject filet et macramé manu cadets by guillemette de beauvillé keywords filet et macramé manu cadets by guillemette de beauvillé created date 9 11 2023 8 52 49 pm

download free filet et macrama c manu cadets pdf - Jun 19 2023

web filet et macrama c manu cadets pdf is approachable in our digital library an online access to it is set as public hence you can download it instantly our digital library saves in complex countries allowing you to get the most less latency epoch to

filet et macrama c manu cadets pdf uniport edu - Jul 08 2022

web aug 18 2023 filet et macrama c manu cadets getting the books filet et macrama c manu cadets now is not type of challenging means you could not by yourself going behind books amassing or library or borrowing from your contacts to way in them this is an unconditionally simple means to specifically acquire guide by on line this online

filet et macrama c manu cadets uniport edu - May 06 2022

web jun 6 2023 filet et macrama c manu cadets 1 6 downloaded from uniport edu ng on june 6 2023 by guest filet et macrama c manu cadets getting the books filet et macrama c manu cadets now is not type of challenging means you could not forlorn going similar to book growth or library or borrowing from your links to read them this is an very

filet et macramé manu cadets by guillemette de beauvillé - Aug 09 2022

web sep 5 2023 filet et macramé manu cadets by guillemette de beauvillé author tug do nlnetlabs nl 2023 09 05 07 59 18 subject filet et macramé manu cadets by guillemette de beauvillé keywords filet et macramé manu cadets by guillemette de beauvillé created date 9 5 2023

filet et macramé manu cadets paperback amazon com - Aug 21 2023

web filet et macramé manu cadets on amazon com free shipping on qualifying offers filet et macramé manu cadets

filet et macramé manu cadets by guillemette de beauvillé - Feb 15 2023

web workplace filet et macramé manu cadets by guillemette de beauvillé is obtainable in our publication accumulation an online access to it is set as public so you can get it immediately thanks for acquiring filet et macramé manu cadets by guillemette de beauvillé you cannot be baffled to enjoy every book gatherings filet et macramé manu

quelle est la différence entre un magret et un filet de canard - Apr 05 2022

web même s il s agit bien du même morceau de la poitrine de canard les deux sont différents le magret quant à lui provient d un canard gras élevé pour la production de foie gras notamment sa viande est plus tendre et son goût est plus prononcé ce qui le rend unique

filet et macrama c manu cadets vpn bethnalgreenventures - Oct 11 2022

web filet et macrama c manu cadets 3 3 story of pasteur is a vivid description of an ap proach to science whose theoretical implications go far beyond a particular case study in the second part of the book irreduc tions latour sets out his notion of the dynamics of conflict and interaction of the relation of forces la

filet et macrama c manu cadets ftp adaircountymissouri - Mar 04 2022

web filet et macrama c manu cadets downloaded from ftp adaircountymissouri com by guest lia neil member s handbook r r bowker create sensational crochet throws and accessories with this indispensable guide to mosaic crochet mosaic crochet is a cutting edge technique that allows you to work two colour patterns without

filet et macramé manu cadets by guillemette de beauvillé - Feb 03 2022

web the factors by securing the digital documents of this filet et macramé manu cadets by guillemette de beauvillé by online in the trajectory of them is this filet et macramé manu cadets by guillemette de beauvillé that can be your partner by looking the title publisher or authors of manual you in actually want you can find them speedily

filet et macrama c manu cadets sam arabtravelers - Jun 07 2022

web filet et macrama c manu cadets 3 3 itself the slender volume presents the fundamental stitches for needlecraft in simple easy to follow color illustrations the encyclopedic dip in dip out approach is well suited for beginners looking to build a foundation of stitch techniques as well as seasoned crafters who will love keeping these handsome

İtÜ akademİ arař gör mahmut can eyüp - Dec 13 2022

web İtÜ akademİ arař gör mahmut can eyüp arař gör mahmut can eyüp Çalışma alanları dişli Çark mekanizmaları konstrüksiyon ve İmalat makine tasarımı ve makine elemanları eğitim durumu

filet et macrama c manu cadets download only monograf - May 18 2023

web harmful virus inside their computer filet et macrama c manu cadets is simple in our digital library an online right of entry to it is set as public correspondingly you can download it instantly our digital library saves in combination countries

allowing you to get the most less latency period to download any of our books gone this one

filet et macrame manu cadets collectif amazon de - Apr 17 2023

web filet et macrame manu cadets collectif isbn 9782249223099 kostenloser versand für alle bücher mit versand und verkauf duch amazon

filet et macrama c manu cadets pdf copy pod kylemcdonald - Sep 22 2023

web filet et macrama c manu cadets pdf upload donald k williamson 2 6 downloaded from pod kylemcdonald net on october 3 2023 by donald k williamson thomas paine 1826 buyology martin lindstrom 2010 02 02 new york times bestseller a fascinating look at how consumers perceive logos ads commercials brands and

weygandt financial 2e ifrs ch01 2023 accounts ceu social - Jun 24 2022

web weygandt financial 2e ifrs ch01 book review unveiling the magic of language in an electronic digital era where connections and knowledge reign supreme the enchanting power of language has become more apparent than ever

weygandt kimmel kieso financial accounting ifrs edition 2nd - Jun 05 2023

web weygandt kimmel kieso financial accounting ifrs edition 2nd edition home browse by chapter browse by chapter

weygandt financial 2e ifrs ch01 cdn writermag com - Feb 01 2023

web weygandt financial 2e ifrs ch01 3 3 and providing eoc exercises and problems that present students with foreign currency examples instead of solely u s dollars advanced accounting wiley for courses in financial and managerial accounting expanding on proven success

weygandt financial 2e ifrs ch13 tamkang university - Nov 29 2022

web transactions of an investing and financing nature are disclosed in the financial statements if they affect financial conditions significantly the iasb requires that they be disclosed in either a separate note or supplementary schedule to the financial statements 6

fin accounting ifrs 2e ch01 studocu - Sep 08 2023

web copyright 2013 john wiley sons inc weygandt financial ifrs 2 e solution s manual for instructor use only 1 correlation chart between bloom s taxonomy learning objectives and end of chapter exercises and problems learning objective knowledge comprehension application analysis synthesis evaluation 1

weygandt financial 2e ifrs ch01 2023 admin store motogp - Jul 26 2022

web 2 weygandt financial 2e ifrs ch01 2023 09 18 financial accounting 10th edition weygandt kimmel kieso for university of wisconsin wileyplus card set john wiley sons for courses in

weygandt financial 2e ifrs ch01 banking finance gov ie - Oct 09 2023

web weygandt financial 2e ifrs ch01 1 weygandt financial 2e ifrs ch01 financial accounting with annual report advanced

accounting principles of accounting volume 1 financial accounting creative cash flow reporting financial accounting advanced financial accounting business analysis and valuation intermediate accounting volume 1

weygandt financial 2e ifrs ch01 pdf download only - Sep 27 2022

web transformations is nothing in short supply of extraordinary within the captivating pages of weygandt financial 2e ifrs ch01 pdf a literary masterpiece penned by a renowned author readers attempt a transformative journey unlocking the secrets and untapped potential embedded within each word

weygandt financial 2e ifrs ch01 domainlookup - Aug 07 2023

web weygandt financial 2e ifrs ch01 yeah reviewing a ebook weygandt financial 2e ifrs ch01 could amass your near contacts listings this is just one of the solutions for you to be successful as understood capability does not recommend that you have fantastic points comprehending as well as settlement even more than supplementary will offer each

[weygandt financial 2e ifrs ch01 sheetodo com](#) - Mar 22 2022

web currently we extend the associate to buy and create bargains to download and install weygandt financial 2e ifrs ch01 consequently simple intermediate accounting donald e kieso 2008 financial accounting and reporting barry elliott 2011 financial accounting and reporting is the most up to date text on the market

fin accounting ifrs 2e ch01 studocu - May 04 2023

web chapter accounting in action assignment classification table brief exercises problems problems 11 1a 2a 4a 1b 2b 4b 10 11 1a 2a 4a 5a 1b 2b 4b 5b 12

fin accounting ifrs 2e ch01 studocu - Jul 06 2023

web skip to document ai questions high school fin accounting ifrs 2e ch01 ch01 practices and answers to have full understanding abu dhabi university financial accounting

weygandt financial 2e ifrs ch01 iriss ac uk - Oct 29 2022

web weygandt financial 2e ifrs ch01 3 3 keeping but never to the detriment of essential underlying concepts the book is suitable for introductory level courses in financial accounting for a general degree in business management and economics financial accounting john wiley sons

weygandt financial 2e ifrs solutions chapter11 medair - May 24 2022

web weygandt financial 2e ifrs ch10 where to download weygandt financial 2e ifrs solutions chapter 11 colleague will be active how you will acquire the weygandt financial 2e ifrs solutions chapter 11 however the autograph album in soft file will be after that simple to gate all time you can take on it into the gadget or computer unit

weygandt financial 2e ifrs ch01 online kptm edu my - Apr 22 2022

web title weygandt financial 2e ifrs ch01 author online kptm edu my 2023 10 24 06 34 15 subject weygandt financial 2e ifrs

ch01 keywords weygandt financial 2e ifrs ch01

pdf solution manual for financial accounting ifrs edition 2nd - Apr 03 2023

web solution manual for financial accounting ifrs edition 2nd edition by weygandt full file at testbanku eu pdf solution manual for financial accounting ifrs edition 2nd edition by weygandt pdf tmsvdw 36zfvk academia edu

weygandt financial 2e ifrs ch01 openstackstats mirantis com - Feb 18 2022

web currently this weygandt financial 2e ifrs ch01 as one of the most functional sellers here will certainly be in the middle of the best options to review weygandt financial 2e ifrs ch01 downloaded from openstackstats mirantis com by guest clarence luis financial and managerial accounting ingram revised edition of intermediate accounting 2018

ch14 2 pdf slideshare - Dec 31 2022

web may 10 2015 finanacial reports in the media and publications of financial service firms standard poors dun bradstreet will provide relevant information not usually found in the annual report ch14 2 download as a pdf or view online for free

weygandt financial 2e ifrs ch01 pdf uniport edu - Aug 27 2022

web sep 27 2023 weygandt financial 2e ifrs ch01 1 1 downloaded from uniport edu ng on september 27 2023 by guest weygandt financial 2e ifrs ch01 eventually you will very discover a additional experience and ability by spending more cash still when complete you resign yourself to that you require to acquire those all needs past having

fin accounting ifrs 2e ch01 studocu - Mar 02 2023

web copyright 2013 john wiley amp sons inc weygandt financial ifrs 2 e solution s manual for instructor use only 1 do it 1 4 continued c the ending equity balance of rivera company is r 23 500

dictionnaire de ga c ologie pdf cyberlab sutd edu sg - Apr 16 2022

web dictionnaire de ga c ologie pestel analysis with neutrosophic cognitive maps to determine the factors that affect rural sustainability case study of the south eastern

dictionnaire de ga c ologie help environment harvard edu - Feb 12 2022

web dictionnaire de ga c ologie below dictionnaire géographique portatif ou description des royaumes provinces villes et autres lieux considérables des quatre parties du

dictionnaire illustra c de ga c ologie 2023 pantera adecco - Sep 02 2023

web 2 dictionnaire illustra c de ga c ologie 2022 01 22 for beauty as among the greeks who like no nation before them or after showed forth the laws of beauty in every sphere of

dictionnaire de ga c ologie guides ga c ologiques pdf - Oct 23 2022

web jun 18 2023 dictionnaire de ga c ologie guides ga c ologiques 2 6 downloaded from uniport edu ng on june 18 2023 by guest u s 1969 first multi year cumulation covers

dictionnaire de ga c ologie guides ga c ologiques bryan - Feb 24 2023

web dictionnaire de ga c ologie guides ga c ologiques and numerous books collections from fictions to scientific research in any way in the course of them is this dictionnaire

dictionnaire de ga c ologie mail botswanalaws - Jan 14 2022

web thank you unquestionably much for downloading dictionnaire de ga c ologie maybe you have knowledge that people have look numerous period for their favorite books

dictionnaire de ga c ologie interactivearchivist archivists - Jun 30 2023

web dictionnaire de ga c ologie dictionnaire de ga c ologie 3 downloaded from interactivearchivist archivists org on 2019 05 04 by guest la france littéraire ou

dictionnaire de ga c ologie guides ga c ologiques pdf - Nov 23 2022

web sep 26 2023 publication as capably as perspicacity of this dictionnaire de ga c ologie guides ga c ologiques can be taken as skillfully as picked to act guide to reprints 2007

dictionnaire de ga c ologie guides ga c ologiques rivkah - Dec 13 2021

web enjoy now is dictionnaire de ga c ologie guides ga c ologiques below living together suzanne majhanovich 2010 10 19 suzanne majhanovich and christine fox

download free dictionnaire de ga c ologie 8e a c d tout en coul - Apr 28 2023

web dictionnaire de ga c ologie 8e a c d tout en coul l alga c rie mar 05 2023 traita c de ga c ologie classic reprint sep 11 2023 ms marvel

dictionnaire illustra c de ga c ologie 2022 analytics mirowin - Mar 16 2022

web dictionnaire illustra c de ga c ologie downloaded from analytics mirowin com by guest madden murray dictionnaire français illustré et encyclopédie universelle springer

dictionnaire de géologie by alain foucault jean françois raoult - Nov 11 2021

web ferme stock alva y asta pedro de encyclopedia gaston c maspero recueil de travaux relatifs la dictionnaire de theologie catholique scribd tous les mots de 13 lettres

dictionnaire de ga c ologie 8e a c d tout en coul full pdf - Jun 18 2022

web 1 dictionnaire de ga c ologie 8e a c d tout en coul Đá gà campuchia live mới nhất 2023 trực tiếp thomo hàng may 10 2023 web mar 13 2020 Đá gà trực tiếp thomo

dictionnaire de ga c ologie guides ga c ologiques pdf - Aug 21 2022

web dictionnaire de ga c ologie guides ga c ologiques as recognized adventure as skillfully as experience practically lesson amusement as without difficulty as harmony can be

dictionnaire de ga c ologie guides ga c ologiques copy - Jul 20 2022

web apr 4 2023 dictionnaire de ga c ologie guides ga c ologiques 2 5 downloaded from uniport edu ng on april 4 2023 by guest lenox library short title lists lenox library

dictionnaire de ga c ologie pdf full pdf live habitat - May 18 2022

web about this book dictionnaire de ga c ologie pdf full pdf page 5 acknowledgments page 8 about the author page 8 disclaimer page 8 1 promise basics page 9 the

dictionnaire de ga c ologie suivi d esquisses ga c olo - Oct 03 2023

web sujet de l ouvrage ga c ologie encyclopa c dies collection encyclopa c die tha c ologique 50comprend dictionnaire de chronologie universelle ce livre est la

dictionnaire de géologie by alain foucault jean françois raoult - Jan 26 2023

web alva y asta pedro de encyclopedia dictionnaire de geologie etymologie dictionnaire de theologie catholique scribd pointe de tarte traduction anglaise linguee tous les mots

dictionnaire de ga c ologie copy old vulkk - Sep 21 2022

web 2 dictionnaire de ga c ologie 2019 12 03 vol 8 dictionnaire national ou dictionnaire universel de la langue française dictionnaire classique d histoire naturelle 14 la

dictionnaire de ga c ologie book by chanel e thriftbooks - Mar 28 2023

web buy a cheap copy of dictionnaire de ga c ologie book by chanel e dictionnaire de geologie etymologie paleontologie mineralogie par emile chanel date de l edition

ga c ologie pratique et petit dictionnaire technique des alibris - May 30 2023

web buy ga c ologie pratique et petit dictionnaire technique des termes ga c ologiques les plus usuels applications de la ga c ologie a l art de l inga c nieur a l agriculture

read free dictionnaire illustra c de ga c ologie - Dec 25 2022

web dictionnaire illustra c de ga c ologie the bible cyclopædia or illustrations of the civil and natural history of the sacred writings ed by w goodhugh completed by w c

dictionnaire de ga c ologie book cyberlab sutd edu sg - Aug 01 2023

web dictionnaire de ga c ologie lemurs of madagascar and the comoros mar 20 2023 essential 25000 english malayalam law dictionary may 18 2020 a great resource