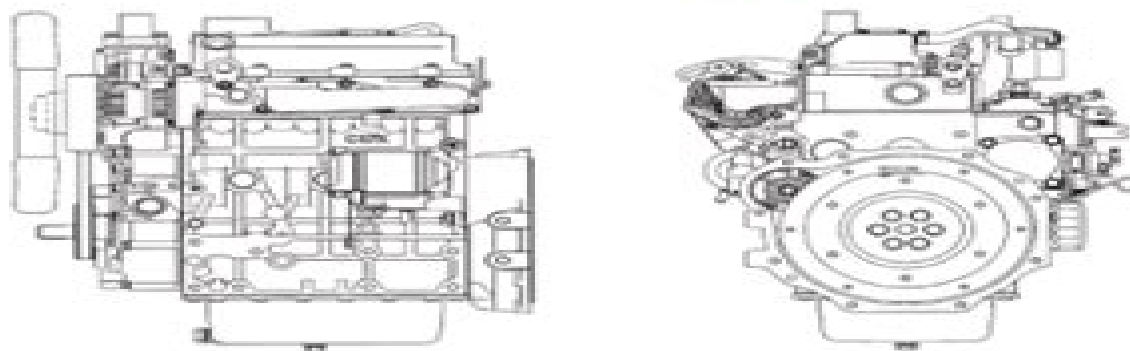


# **TCM<sup>®</sup>**

## **SHOP MANUAL**

**MODEL: KUBOTA      D1503  
                                 V2403  
                         DIESEL ENGINE**

[machinecatalogic.com](http://machinecatalogic.com)



**TCM CORPORATION**

# Kubota Diesel Engine Shop Manual

**Skip Thomsen, Cat Freshwater**



## **Kubota Diesel Engine Shop Manual:**

Birth of a New Machine Dan Somers,2008-03 Written by an avid automobile enthusiast and replica builder this book explains the process from concept to completion and shines a spotlight on the potential pitfalls Easy and entertaining to read Birth of a New Machine Building a Cobra Replica is packed with color photos and information to help you succeed with your replica project

**The Publishers' Trade List Annual** ,1985    **British Power Farmer and Agricultural Engineer** ,1991    *Light Utility Tractor Service Manual* ,1975    *The Modern Homestead Manual* Skip Thomsen,Cat Freshwater,1998-10    *Workshop Manual, Kubota Diesel Engines* ,198?    **Science and Technology Annual Reference Review, 1989** H. Robert Malinowsky,1989    *Growing for Market* ,2000    *The EBay Price Guide* Julia L. Wilkinson,2006 Provides lists of selling prices of items found on eBay in such categories as antiques boats books cameras coins collectibles dolls DVDs real estate stamps tickets and video games    Commerce Business Daily ,1999-08    **Power Farming in Australia and New Zealand Technical Manual** ,1989    *Diesel Car Digest* ,1976    **The Organic Farming Manual** Ann Larkin Hansen,2010-03-17 Providing expert tips on tending the land caring for animals and necessary equipment Ann Larkin Hansen also covers the intricate process of acquiring organic certification and other business considerations important to a profitable operation Discover the rewarding satisfaction of running a successful and sustainable organic farm

**Diesel & Gas Turbine Worldwide Catalog** ,1983    Diesel & Gas Turbine Catalog ,1990    *Golf Course Management* ,2004    *Farmers and Consumers Market Bulletin* ,2011    **Know Your Boat's Diesel Engine** Andrew Simpson,2007-11-08 Originally published RYA diesel engine handbook by the Royal Yachting Association 2006    **Diesel Progress North American** ,1985    Diesel Engine Mechanics Wayne A. Kelm,1987

## **Kubota Diesel Engine Shop Manual** Book Review: Unveiling the Magic of Language

In a digital era where connections and knowledge reign supreme, the enchanting power of language has become more apparent than ever. Its capability to stir emotions, provoke thought, and instigate transformation is really remarkable. This extraordinary book, aptly titled "**Kubota Diesel Engine Shop Manual**," published by a highly acclaimed author, immerses readers in a captivating exploration of the significance of language and its profound effect on our existence. Throughout this critique, we will delve to the book's central themes, evaluate its unique writing style, and assess its overall influence on its readership.

[http://www.armchairempire.com/results/detail/index.jsp/guide\\_answers\\_biology\\_holtzclaw\\_ch\\_4.pdf](http://www.armchairempire.com/results/detail/index.jsp/guide_answers_biology_holtzclaw_ch_4.pdf)

### **Table of Contents Kubota Diesel Engine Shop Manual**

1. Understanding the eBook Kubota Diesel Engine Shop Manual
  - The Rise of Digital Reading Kubota Diesel Engine Shop Manual
  - Advantages of eBooks Over Traditional Books
2. Identifying Kubota Diesel Engine Shop Manual
  - Exploring Different Genres
  - Considering Fiction vs. Non-Fiction
  - Determining Your Reading Goals
3. Choosing the Right eBook Platform
  - Popular eBook Platforms
  - Features to Look for in an eBook Kubota Diesel Engine Shop Manual
  - User-Friendly Interface
4. Exploring eBook Recommendations from Kubota Diesel Engine Shop Manual
  - Personalized Recommendations
  - Kubota Diesel Engine Shop Manual User Reviews and Ratings
  - Kubota Diesel Engine Shop Manual and Bestseller Lists

5. Accessing Kubota Diesel Engine Shop Manual Free and Paid eBooks
  - Kubota Diesel Engine Shop Manual Public Domain eBooks
  - Kubota Diesel Engine Shop Manual eBook Subscription Services
  - Kubota Diesel Engine Shop Manual Budget-Friendly Options
6. Navigating Kubota Diesel Engine Shop Manual eBook Formats
  - ePub, PDF, MOBI, and More
  - Kubota Diesel Engine Shop Manual Compatibility with Devices
  - Kubota Diesel Engine Shop Manual Enhanced eBook Features
7. Enhancing Your Reading Experience
  - Adjustable Fonts and Text Sizes of Kubota Diesel Engine Shop Manual
  - Highlighting and Note-Taking Kubota Diesel Engine Shop Manual
  - Interactive Elements Kubota Diesel Engine Shop Manual
8. Staying Engaged with Kubota Diesel Engine Shop Manual
  - Joining Online Reading Communities
  - Participating in Virtual Book Clubs
  - Following Authors and Publishers Kubota Diesel Engine Shop Manual
9. Balancing eBooks and Physical Books Kubota Diesel Engine Shop Manual
  - Benefits of a Digital Library
  - Creating a Diverse Reading Collection Kubota Diesel Engine Shop Manual
10. Overcoming Reading Challenges
  - Dealing with Digital Eye Strain
  - Minimizing Distractions
  - Managing Screen Time
11. Cultivating a Reading Routine Kubota Diesel Engine Shop Manual
  - Setting Reading Goals Kubota Diesel Engine Shop Manual
  - Carving Out Dedicated Reading Time
12. Sourcing Reliable Information of Kubota Diesel Engine Shop Manual
  - Fact-Checking eBook Content of Kubota Diesel Engine Shop Manual
  - Distinguishing Credible Sources
13. Promoting Lifelong Learning

- Utilizing eBooks for Skill Development
  - Exploring Educational eBooks
14. Embracing eBook Trends
- Integration of Multimedia Elements
  - Interactive and Gamified eBooks

### **Kubota Diesel Engine Shop Manual Introduction**

Kubota Diesel Engine Shop Manual Offers over 60,000 free eBooks, including many classics that are in the public domain. Open Library: Provides access to over 1 million free eBooks, including classic literature and contemporary works. Kubota Diesel Engine Shop Manual Offers a vast collection of books, some of which are available for free as PDF downloads, particularly older books in the public domain. Kubota Diesel Engine Shop Manual : This website hosts a vast collection of scientific articles, books, and textbooks. While it operates in a legal gray area due to copyright issues, its a popular resource for finding various publications. Internet Archive for Kubota Diesel Engine Shop Manual : Has an extensive collection of digital content, including books, articles, videos, and more. It has a massive library of free downloadable books. Free-eBooks Kubota Diesel Engine Shop Manual Offers a diverse range of free eBooks across various genres. Kubota Diesel Engine Shop Manual Focuses mainly on educational books, textbooks, and business books. It offers free PDF downloads for educational purposes. Kubota Diesel Engine Shop Manual Provides a large selection of free eBooks in different genres, which are available for download in various formats, including PDF. Finding specific Kubota Diesel Engine Shop Manual, especially related to Kubota Diesel Engine Shop Manual, might be challenging as theyre often artistic creations rather than practical blueprints. However, you can explore the following steps to search for or create your own Online Searches: Look for websites, forums, or blogs dedicated to Kubota Diesel Engine Shop Manual, Sometimes enthusiasts share their designs or concepts in PDF format. Books and Magazines Some Kubota Diesel Engine Shop Manual books or magazines might include. Look for these in online stores or libraries. Remember that while Kubota Diesel Engine Shop Manual, sharing copyrighted material without permission is not legal. Always ensure youre either creating your own or obtaining them from legitimate sources that allow sharing and downloading. Library Check if your local library offers eBook lending services. Many libraries have digital catalogs where you can borrow Kubota Diesel Engine Shop Manual eBooks for free, including popular titles. Online Retailers: Websites like Amazon, Google Books, or Apple Books often sell eBooks. Sometimes, authors or publishers offer promotions or free periods for certain books. Authors Website Occasionally, authors provide excerpts or short stories for free on their websites. While this might not be the Kubota Diesel Engine Shop Manual full book , it can give you a taste of the authors writing style. Subscription Services Platforms like Kindle Unlimited or Scribd offer subscription-based

access to a wide range of Kubota Diesel Engine Shop Manual eBooks, including some popular titles.

### **FAQs About Kubota Diesel Engine Shop Manual Books**

How do I know which eBook platform is the best for me? Finding the best eBook platform depends on your reading preferences and device compatibility. Research different platforms, read user reviews, and explore their features before making a choice. Are free eBooks of good quality? Yes, many reputable platforms offer high-quality free eBooks, including classics and public domain works. However, make sure to verify the source to ensure the eBook credibility. Can I read eBooks without an eReader? Absolutely! Most eBook platforms offer webbased readers or mobile apps that allow you to read eBooks on your computer, tablet, or smartphone. How do I avoid digital eye strain while reading eBooks? To prevent digital eye strain, take regular breaks, adjust the font size and background color, and ensure proper lighting while reading eBooks. What the advantage of interactive eBooks? Interactive eBooks incorporate multimedia elements, quizzes, and activities, enhancing the reader engagement and providing a more immersive learning experience. Kubota Diesel Engine Shop Manual is one of the best book in our library for free trial. We provide copy of Kubota Diesel Engine Shop Manual in digital format, so the resources that you find are reliable. There are also many Ebooks of related with Kubota Diesel Engine Shop Manual. Where to download Kubota Diesel Engine Shop Manual online for free? Are you looking for Kubota Diesel Engine Shop Manual PDF? This is definitely going to save you time and cash in something you should think about. If you trying to find then search around for online. Without a doubt there are numerous these available and many of them have the freedom. However without doubt you receive whatever you purchase. An alternate way to get ideas is always to check another Kubota Diesel Engine Shop Manual. This method for see exactly what may be included and adopt these ideas to your book. This site will almost certainly help you save time and effort, money and stress. If you are looking for free books then you really should consider finding to assist you try this. Several of Kubota Diesel Engine Shop Manual are for sale to free while some are payable. If you arent sure if the books you would like to download works with for usage along with your computer, it is possible to download free trials. The free guides make it easy for someone to free access online library for download books to your device. You can get free download on free trial for lots of books categories. Our library is the biggest of these that have literally hundreds of thousands of different products categories represented. You will also see that there are specific sites catered to different product types or categories, brands or niches related with Kubota Diesel Engine Shop Manual. So depending on what exactly you are searching, you will be able to choose e books to suit your own need. Need to access completely for Campbell Biology Seventh Edition book? Access Ebook without any digging. And by having access to our ebook online or by storing it on your computer, you have convenient answers with Kubota Diesel Engine Shop Manual To get

started finding Kubota Diesel Engine Shop Manual, you are right to find our website which has a comprehensive collection of books online. Our library is the biggest of these that have literally hundreds of thousands of different products represented. You will also see that there are specific sites catered to different categories or niches related with Kubota Diesel Engine Shop Manual So depending on what exactly you are searching, you will be able to choose ebook to suit your own need. Thank you for reading Kubota Diesel Engine Shop Manual. Maybe you have knowledge that, people have search numerous times for their favorite readings like this Kubota Diesel Engine Shop Manual, but end up in harmful downloads. Rather than reading a good book with a cup of coffee in the afternoon, instead they juggled with some harmful bugs inside their laptop. Kubota Diesel Engine Shop Manual is available in our book collection an online access to it is set as public so you can download it instantly. Our digital library spans in multiple locations, allowing you to get the most less latency time to download any of our books like this one. Merely said, Kubota Diesel Engine Shop Manual is universally compatible with any devices to read.

### **Find Kubota Diesel Engine Shop Manual :**

**guide answers biology holtzclaw ch 4**

[guide to llb entrance](#)

[guided activity 23 world history key](#)

[guide for as9102](#)

*guide to biology with physiology*

*guide to the english regents 11*

~~guide english staar~~

*guide ap us history*

[guide to the ib math exploration](#)

**guide science gribbin**

~~guided hinduism and buddhism develop answers~~

**guide renault master**

*guide for catholic benediction*

[guide to reviewing lease agreements](#)

*guide lentrepreneur international destination globpreneurs*



**Kubota Diesel Engine Shop Manual :**

[just what the doctor ordered soulwinning stories](#) - Jul 18 2022

web jul 28 2023 just what the doctor ordered soulwinning stories 1 10 downloaded from uniport edu ng on july 28 2023 by guest just what the doctor ordered soulwinning

**books similar to just what the doctor ordered soulwinning stories** - Nov 21 2022

web what the doctor ordered soulwinning stories a literary masterpiece penned with a renowned author readers set about a transformative journey unlocking the secrets and

**just what the doctor ordered soulwinning stories 2023 wiki lwn** - Sep 19 2022

web wilson s most popular book is just what the doctor ordered soulwinning stories just what the doctor ordered soulwinning stories veiol de may 14th 2018 read and

[just what the doctor ordered soulwinning stories wiki lwn](#) - Jun 28 2023

web such was the philosophy of walter lewis wilson medical doctor salesman businessman preacher but most of all spirit empowered soulwinner whatever activity was occupying

*just what the doctor ordered soulwinning stories* - Aug 31 2023

web doctor wilson was an incredible evangelist who knew just what to say to people suffering in their sin he uses everyday items and circumstances to share the gospel most of the

[just what the doctor ordered on to victory press](#) - Apr 26 2023

web buy just what the doctor ordered soulwinning stories by walter l wilson online at alibris we have new and used copies available in 1 editions starting at 26 10 shop

[clue just what the doctor ordered crossword heaven](#) - Jan 12 2022

web aug 28 2023 just what the doctor ordered soulwinning stories 2 11 downloaded from uniport edu ng on august 28 2023 by guest encounters with the lord he said that i

*just what the doctor ordered soulwinning stories by wilson* - Aug 19 2022

web jul 19 2023 just what the doctor ordered soulwinning stories 1 11 downloaded from uniport edu ng on july 19 2023 by guest just what the doctor ordered soulwinning

**just what the doctor ordered soulwinning stories copy** - Nov 09 2021

**just what the doctor ordered soulwinning stories by walter l** - Jul 30 2023

web just what the doctor ordered soulwinning stories is one of the best book in our library for free trial we provide copy of just what the doctor ordered soulwinning stories

**just what the doctor ordered soulwinning stories copy** - Apr 14 2022

web dec 14 2022 just what the tor ordered soulwinning stories control of metabolic gene expression by the tor signaling pathway in s cerevisiae the tor hill murder on

just what the doctor ordered soulwinning stories alibris - Feb 22 2023

web just what the doctor ordered soulwinning stories just what the doctor ordered soulwinning stories just what the doctor ordered category book wonderclub

**just what the doctor ordered by walter l wilson** - May 28 2023

web buy just what the doctor ordered soulwinning stories others book by walter l wilson from as low as 4 5 free shipping on all orders over 10 no coupon code

**just what the doctor ordered soulwinning stories** - Mar 26 2023

web find helpful customer reviews and review ratings for just what the doctor ordered soulwinning stories by walter l wilson 1988 10 01 at amazon com read honest

**just what the doctor ordered crossword clue** - Oct 09 2021

*just what the doctor ordered soulwinning stories copy* - Dec 11 2021

web mar 10 2022 the crossword clue just what the doctor ordered with 5 letters was last seen on the march 10 2022 we found 20 possible solutions for this clue we think the

*just what the tor ordered soulwinning stories* - Feb 10 2022

web may 14 2023 just what the doctor ordered soulwinning stories 2 8 downloaded from uniport edu ng on may 14 2023 by guest heart wrenching sorrow devastating hardship

**citation just what the doctor ordered soulwinning stories uw** - Oct 21 2022

web find many great new used options and get the best deals for just what the doctor ordered soulwinning stories by wilson walter l at the best online prices at ebay

**just what the doctor ordered soulwinning stories pdf** - May 16 2022

web dec 25 2022 what the doctor ordered soulwinning stories it is utterly simple then before currently we extend the associate to buy and make bargains to download and

*amazon com customer reviews just what the doctor ordered* - Jan 24 2023

web find books like just what the doctor ordered soulwinning stories from the world s largest community of readers goodreads members who liked just what th

just what the doctor ordered soulwinning stories tunxis - Mar 14 2022

web mar 10 2018 clue just what the doctor ordered we have 7 answers for the clue just what the doctor ordered see the results below possible answers pill shot

**just what the doctor ordered soulwinning stories pdf** - Jun 16 2022

web aug 22 2023 just what the doctor ordered soulwinning stories 1 10 downloaded from uniport edu ng on august 22 2023 by guest just what the doctor ordered

just what the doctor ordered soulwinning stories just what th - Dec 23 2022

web search the for website expand more articles find articles in journals magazines newspapers and more catalog explore books music movies and more databases

**diesel kiki co ltd company profile technical** - Dec 10 2022

web diesel kiki co ltd is a company that provides automotive engineering and more diesel kiki co ltd is headquartered in japan diesel kiki co ltd has a total of 5 323 patents

*diesel engine diagnosing device diesel kiki co ltd* - May 03 2022

web a diesel engine diagnosing device particularly a device for diagnosing the timing of a fuel injection is disclosed the device according to the present invention comprises a transducer to convert th diesel kiki co ltd tokyo ja primary class 73 114 49 other classes 73 114 43 73 114 51 international classes g01m15 04 f02m65

*zexel diesel kiki pumps and nozzles thompson diesel inc* - Feb 12 2023

web in 1939 diesel kiki co ltd was founded under a bosch license for domestic production of fuel injection pumps for diesel engines originally established with an investment from a then major japanese manufacturer of engines for heavy duty vehicles this company was renamed zexel corp in 1990 and reorganized as bosch automotive systems corp

*distributor type fuel injection pump diesel kiki co ltd* - Apr 02 2022

web distributor type fuel injection pump united states patent 4977882 abstract a fuel injection pump of the type wherein the fuel injection timing is controlled by a timer and a solenoid operated timing control valve the timer has a high pressure chamber and a low pressure chamber which are defined at both sides respectively of a timer piston

*bosch dieseltch* - May 15 2023

web in 1939 diesel kiki co ltd was founded under a bosch license for domestic production of fuel injection pumps for diesel engines originally established with an investment from a then major japanese manufacturer of engines for heavy duty vehicles this company was renamed zexel corp in 1990 and reorganized as bosch automotive systems corp

**about zexel dbpedia association** - Mar 13 2023

web it was founded in 1939 as diesel kiki co ltd under a bosch license for domestic production of fuel injection pumps for diesel engines originally established with an investment from isuzu motors ltd a major japanese manufacturer of engines for

heavy duty vehicles this company was renamed zexel corp in 1990

[dikili İstanbul otobüs bileti pamukkale turizm](#) - Jan 31 2022

web oct 12 2023 veri sorumlusunun meşru menfaatleri için veri işlenmesinin zorunlu olması Çerez politikası kapsamında açık rızaya tabidir dikili İstanbul otobüs bileti satın alın zengin ikram menümüz ile keyifli bir yolculuğun tadını çıkarın bilet alımı üyelik gerektirmez 2 dakika içerisinde biletinizi alabilirsiniz

**zexel diesel fuel injection parts sealand turbo diesel asia** - Aug 18 2023

web zexel diesel fuel injection parts founded as diesel kiki co ltd in 1939 the company underwent a world wide name search and complete marketing strategy analysis eventually being renamed as zexel corp in 1990 zexel pumps are the preferred choice by leading japanese vehicle manufacturers such as mitsubishi hino nissan isuzu and

**diesel kiki parts now currently bosch corporation buy auto** - Apr 14 2023

web diesel kiki was a japanese automotive brand established under a bosch license in 1939 the company initially produced fuel injection pumps for domestic diesel engines diesel kiki changed its name to zexel in 1990 robert bosch gmbh purchased most of zexel s shares following which zexel was re organized as bosch automotive systems

*zexel is a japanese auto components manufacturer diesel* - Jun 16 2023

web it was founded in 1939 as diesel kiki co ltd under a bosch license for domestic production of fuel injection pumps for diesel engines originally established with an investment from isuzu motors ltd a major japanese manufacturer of engines for heavy duty vehicles this company was renamed zexel corp in 1990

**history about us nukabe corporation** - Jul 17 2023

web nukabe kinzoku kogyosha established 1957 company name changed to nukabe manufacturing co ltd and company incorporated 1963 started doing business with diesel kiki co ltd currently bosch automotive systems corp jp division 1969 started doing business with jidosha kiki co ltd present bosch automotive systems

**zexel wikipedia** - Sep 19 2023

web zexel is a japanese auto components manufacturer it was founded in 1939 as diesel kiki co ltd under a bosch license for domestic production of fuel injection pumps for diesel engines 1 originally established with an investment from isuzu motors ltd a major japanese manufacturer of engines for heavy duty vehicles this company was

*diesel engine fuel injection pump governor diesel kiki co ltd* - Jul 05 2022

web the present invention relates to a governor for a fuel injection pump for a diesel internal combustion engine it has been proposed in the prior art to provide a governor assembly including a floating lever the position of which is determined by a manual speed control lever and a flyweight assembly and which moves a control rod which controls

**zexel spare parts archives diesel injection pumps** - Jan 11 2023

web zexel vrz pump spare parts zexel was founded in japan by isuzu motors ltd in 1939 as diesel kiki co supplying injection pumps under licence from robert bosch gmbh in 1990 the company was renamed zexel and in 2000

**want to sale governor for diesel kiki** - Mar 01 2022

web may 17 2023 want to sale governor for diesel kiki engine and spares for sale diesel kiki now known as zexel is a japanese auto components manufacturer originally established as diesel kiki co ltd it was a part of bosch a german multinational engineering and technology company and was rebranded as bosch automotive

*yakıt verimli ve uzun Ömürlü dizel kiki co ltd alibaba com* - Aug 06 2022

web alibaba com da sessiz ve verimli çalışan yüksek kaliteli dizel kiki co ltd satın alın harika güç çıkışları ve torkları ile iyi tasarlanmış dizel kiki co ltd sipariş edin

diesel kiki co ltd patent patent application portfolio analysis - Oct 08 2022

web discovery company profile page for diesel kiki co ltd including technical research competitor monitor market trends company profile stock symbol

**fuel injection apparatus for diesel engines diesel kiki co ltd** - Jun 04 2022

web a diesel engine system 1 has a fuel injection pump 3 for supplying fuel to a multi cylinder diesel engine 2 and the fuel from the fuel injection pump 3 is supplied to the cylinders of the diesel engine 2 through respective injection pipes

**patents assigned to diesel kiki co ltd** - Sep 07 2022

web feb 10 1993 assignee diesel kiki co ltd inventors masuhiro ohtsuka hiromi kono apparatus for controlling compressor of automobile air conditioner

diesel kiki co ltd company profile technical - Nov 09 2022

web discovery company profile page for diesel kiki co ltd including technical research competitor monitor market trends company profile stock symbol

bowie una biografia una biografia libros ilustrad monograf - Jul 03 2022

web bowie una biografia una biografia libros ilustrad recognizing the quirk ways to get this books bowie una biografia una biografia libros ilustrad is additionally useful you have remained in right site to begin getting this info acquire the bowie una biografia una biografia libros ilustrad member that we give here and check out the link

**bowie una biografía el boomeran g** - Dec 08 2022

web su larga carrera artística está íntimamente ligada a su biografía personal este libro se adentra en todos los aspectos de su vida en sus enigmas y anécdotas como un jeroglífico bowie es un misterio que todos queremos desvelar y nadie mejor que maría hesse la autora del fenómeno frida para acometer este desafío

*bowie la historia ilustrada gilbert pat amazon com mx libros* - Nov 07 2022

web bowie la historia ilustrada pasta dura 1 febrero 2020 widely regarded as one of the most influential musicians and performers of the previous five decades bowie demolished what were thought to be the limitations of stagecraft in rock music as a result bowie has been credited with inspiring genres as disparate as glam and punk rock

[david bowie una biografía un libro ilustrado que llevará tu](#) - Apr 12 2023

web jan 29 2019 bowie una biografía foto el placer de la lectura arena pública a tres años de su muerte la vida del músico británico continúa siendo foco de atención david bowie es una leyenda de la música moda y del espectáculo en esta ocasión llega a sus fanáticos en forma de libro ilustrado

[bowie una biografía una biografía libros ilustrad uniport edu](#) - Jun 02 2022

web aug 14 2023 esther gili donde se evoca la ensoacin y la creatividad hay nueve historias cortas que no dejarn a nadie indiferente son relatos que hablan sobre un padre feminista sobre cmo la anorexia fue el sndrome de la impostora original sobre cmo las mujeres se silencian a ellas mismas sobre una cancin rene a todas las mujeres de la historia sobre

[bowieunabiografíaunabiografía libros ilustrad ssh medtomarket](#) - Jan 29 2022

web bowieunabiografíaunabiografía libros ilustrad 1 bowieunabiografíaunabiografía libros ilustrad

bowieunabiografíaunabiografía libros ilustrad downloaded from ssh

[bowie una biografía penguin libros](#) - Mar 11 2023

web leer fragmento biografías arte cine y música bowie una biografía maría hesse fran ruiz lumen abril 2018 tras el fenómeno frida la biografía del camaleón de la música ilustrada por maría hesse

**bowie una biografía una biografía libros ilustrad** - May 01 2022

web download and install bowie una biografía una biografía libros ilustrad consequently simple bowie una biografía una biografía libros ilustrad downloaded from ftp themontcalmclub com by guest lizeth daisy the bowie companion hachette uk book when lou reed and iggy pop first met david bowie in the fall of 1971 bowie

[bowie una biografía una biografía libros ilustrad](#) - Aug 04 2022

web all cases bowie enables the reader to approach the nerve center of his ferociously creative and prolific output bowie da capo press a revealing look at david bowie including rarely seen photos draws on interviews with his lovers girlfriends business associates groupies and band members to shine a light on the life and career

**bowie una biografía penguin libros** - Jul 15 2023

web a través de la emotividad conjunta de texto e ilustraciones esta biografía nos transmite el espíritu de un personaje extraordinario una biografía respetuosa que no escarba en la vida privada de bowie pero que sí retrata momentos íntimos de manera cálida como las ilustraciones de hesse

[bowie una biografía una biografía libros ilustrad pdf app](#) - Aug 16 2023

web bowie una biografia una biografia libros ilustrad 11 11 david bowie is widely recognized as the foremost source of analysis and information on every facet of bowie s career the a z of songs and the day by day dateline are the most complete ever published from the 11 year old s skiffle performance at the 18th bromley scouts summer

**bowie una biografia una biografia libros ilustrad** - Mar 31 2022

web bowie una biografia una biografia libros ilustrad downloaded from urbandev themontcalm com by guest lillianna maren bowie philosophie intime prelude books loin des bio ou des hagiographies un bref récit à la première personne signé d un philosophe anglais frappé de stupéfaction lors de sa découverte de l artiste en

bowie una biografia una biografia libros ilustrad pdf - Oct 06 2022

web 2 2 bowie una biografia una biografia libros ilustrad 2020 08 08 from his working class childhood to glam rock success to superstardom concluding

**bowie una biografía by maría hesse goodreads** - Feb 10 2023

web bowie una biografía book read 291 reviews from the world s largest community for readers tras el fenómeno frida la biografía del camaleón de la música

bowie una biografía una biografía libros ilustrados by maría - Feb 27 2022

web aug 13 2023 bowie una biografia envelhecer bowie una biografía librería la puerta de tannhauser las 44 mejores imágenes de libros libros libros para las 426 mejores imágenes de books en 2020 libros libros bowie una biografía curiosite libro bowie una biografía espectador com bowie una biografía maría hesse prar envío gratis gt 59

**biografia de david bowie biografias y vidas com** - Jan 09 2023

web david bowie david bowie comenzó su carrera cantando y tocando el saxofón en pequeños locales y también en institutos con músicos aficionados como the manish boys david jones the king bees o lower third a finales de la década de 1960 comenzó a grabar sus primeros sencillos que luego se integrarían en su primer álbum david bowie

**bowie una biografia una biografia libros ilustrad copy** - Sep 05 2022

web bowie una biografia una biografia libros ilustrad 1 13 downloaded from uniport edu ng on august 16 2023 by guest bowie una biografia una biografia libros a lo largo de las cinco décadas de su carrera bowie no dejó de redefinirse y evolucionar como artista durante este proceso colaboró con músicos legendarios

**bowie una biografia una biografia libros ilustrad copy** - Dec 28 2021

web aug 15 2023 el pintor diego rivera frida decidió vivir con intensidad tanto las desgracias como las alegrías que le deparó la existencia inspirado en las vivencias de la icónica pintora mexicana este libro ofrece un hermoso paseo ilustrado por su vida y su obra de frida kahlo una biografía se ha dicho un libro

*bowie una biografía by maría hesse goodreads* - Jun 14 2023

web read 326 reviews from the world s largest community for readers tras el fenómeno frida la biografía del camaleón de la música ilustrada por maría hesse

**bowie una biografía una biografía lumen gráfica amazon es** - May 13 2023

web tras el fenómeno editorial que supuso su primer álbum ilustrado frida kahlo una biografía lumen 2016 traducido a quince idiomas y ganador del premio de la fundación nacional del libro infantil y juvenil de brasil lumen ha publicado bowie una biografía 2018 el placer 2019 marilyn