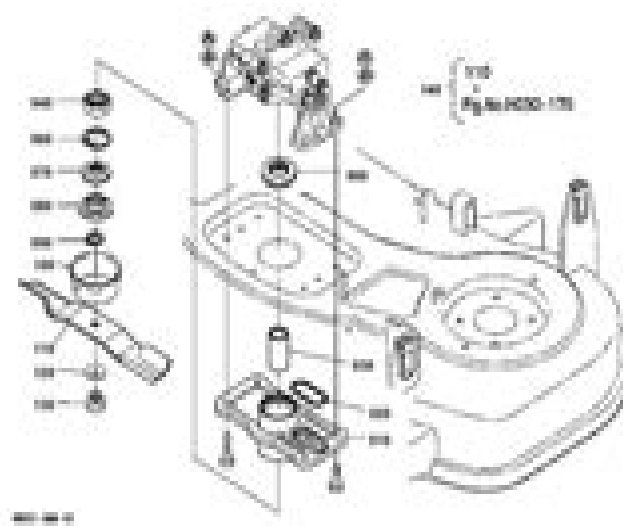


← Standard parts, and standard parts → use for all → all for all

Part No.	Part No.	Description	Qty	Unit	IC	Selected	Weight (kg)	Weight (lb)
820	82001-2210	SHAFT INPUT	1				0.13	1.18
820	84012-0010	CR CLIP EXTERNAL	1				0.003	0.0064
820	82017-2210	KT GEAR BEVEL	1				0.13	1.18
820	89101-0020	BEARING BALL	2				0.102	0.224
820	12021-1070	SWH-CARSHAFT	1				0.001	0.0022
820	12021-1080	SWH-CARSHAFT	1				0.001	0.0022
820	12021-2070	SWH-CARSHAFT	1				0.001	0.0022
820	12021-2080	SWH-CARSHAFT	1				0.001	0.0022
870	89400-2007	SEAL OIL	1				0.01	0.022
880	12101-1000	PLUG	1				0.010	0.022
880	82017-2200	SHAFT BEVEL GEAR	1				0.1	1.12
880	84012-0010	CR CLIP EXTERNAL	1				0.001	0.0022
890	89101-0020	BEARING BALL	1				0.100	0.2212
920	82021-1200	SWH OFF GEAR SHAFT	1				0.001	0.0022
920	82211-1000	SWH OFF GEAR SHAFT	1				0.002	0.0044
930	89400-2007	SEAL OIL	1				0.010	0.022
940	82001-2210	PALLET CENTER	1				0.02	0.044
950	85712-0010	KEY FEATHER	1				0.01	0.022
960	84012-0010	CR CLIP EXTERNAL	1				0.003	0.0064



# Kubota Mowers Service Manual

**A Gutmann**



## **Kubota Mowers Service Manual:**

Embark on a breathtaking journey through nature and adventure with is mesmerizing ebook, Natureis Adventure: **Kubota Mowers Service Manual** . This immersive experience, available for download in a PDF format ( \*), transports you to the heart of natural marvels and thrilling escapades. Download now and let the adventure begin!

[http://www.armchairempire.com/book/Resources/fetch.php/Grove\\_700e\\_Service\\_Manual.pdf](http://www.armchairempire.com/book/Resources/fetch.php/Grove_700e_Service_Manual.pdf)

## **Table of Contents Kubota Mowers Service Manual**

1. Understanding the eBook Kubota Mowers Service Manual
  - The Rise of Digital Reading Kubota Mowers Service Manual
  - Advantages of eBooks Over Traditional Books
2. Identifying Kubota Mowers Service Manual
  - Exploring Different Genres
  - Considering Fiction vs. Non-Fiction
  - Determining Your Reading Goals
3. Choosing the Right eBook Platform
  - Popular eBook Platforms
  - Features to Look for in an Kubota Mowers Service Manual
  - User-Friendly Interface
4. Exploring eBook Recommendations from Kubota Mowers Service Manual
  - Personalized Recommendations
  - Kubota Mowers Service Manual User Reviews and Ratings
  - Kubota Mowers Service Manual and Bestseller Lists
5. Accessing Kubota Mowers Service Manual Free and Paid eBooks
  - Kubota Mowers Service Manual Public Domain eBooks
  - Kubota Mowers Service Manual eBook Subscription Services
  - Kubota Mowers Service Manual Budget-Friendly Options
6. Navigating Kubota Mowers Service Manual eBook Formats

- ePub, PDF, MOBI, and More
- Kubota Mowers Service Manual Compatibility with Devices
- Kubota Mowers Service Manual Enhanced eBook Features
- 7. Enhancing Your Reading Experience
  - Adjustable Fonts and Text Sizes of Kubota Mowers Service Manual
  - Highlighting and Note-Taking Kubota Mowers Service Manual
  - Interactive Elements Kubota Mowers Service Manual
- 8. Staying Engaged with Kubota Mowers Service Manual
  - Joining Online Reading Communities
  - Participating in Virtual Book Clubs
  - Following Authors and Publishers Kubota Mowers Service Manual
- 9. Balancing eBooks and Physical Books Kubota Mowers Service Manual
  - Benefits of a Digital Library
  - Creating a Diverse Reading Collection Kubota Mowers Service Manual
- 10. Overcoming Reading Challenges
  - Dealing with Digital Eye Strain
  - Minimizing Distractions
  - Managing Screen Time
- 11. Cultivating a Reading Routine Kubota Mowers Service Manual
  - Setting Reading Goals Kubota Mowers Service Manual
  - Carving Out Dedicated Reading Time
- 12. Sourcing Reliable Information of Kubota Mowers Service Manual
  - Fact-Checking eBook Content of Kubota Mowers Service Manual
  - Distinguishing Credible Sources
- 13. Promoting Lifelong Learning
  - Utilizing eBooks for Skill Development
  - Exploring Educational eBooks
- 14. Embracing eBook Trends
  - Integration of Multimedia Elements
  - Interactive and Gamified eBooks

## **Kubota Mowers Service Manual Introduction**

In today's digital age, the availability of Kubota Mowers Service Manual books and manuals for download has revolutionized the way we access information. Gone are the days of physically flipping through pages and carrying heavy textbooks or manuals. With just a few clicks, we can now access a wealth of knowledge from the comfort of our own homes or on the go. This article will explore the advantages of Kubota Mowers Service Manual books and manuals for download, along with some popular platforms that offer these resources. One of the significant advantages of Kubota Mowers Service Manual books and manuals for download is the cost-saving aspect. Traditional books and manuals can be costly, especially if you need to purchase several of them for educational or professional purposes. By accessing Kubota Mowers Service Manual versions, you eliminate the need to spend money on physical copies. This not only saves you money but also reduces the environmental impact associated with book production and transportation. Furthermore, Kubota Mowers Service Manual books and manuals for download are incredibly convenient. With just a computer or smartphone and an internet connection, you can access a vast library of resources on any subject imaginable. Whether you're a student looking for textbooks, a professional seeking industry-specific manuals, or someone interested in self-improvement, these digital resources provide an efficient and accessible means of acquiring knowledge. Moreover, PDF books and manuals offer a range of benefits compared to other digital formats. PDF files are designed to retain their formatting regardless of the device used to open them. This ensures that the content appears exactly as intended by the author, with no loss of formatting or missing graphics. Additionally, PDF files can be easily annotated, bookmarked, and searched for specific terms, making them highly practical for studying or referencing. When it comes to accessing Kubota Mowers Service Manual books and manuals, several platforms offer an extensive collection of resources. One such platform is Project Gutenberg, a nonprofit organization that provides over 60,000 free eBooks. These books are primarily in the public domain, meaning they can be freely distributed and downloaded. Project Gutenberg offers a wide range of classic literature, making it an excellent resource for literature enthusiasts. Another popular platform for Kubota Mowers Service Manual books and manuals is Open Library. Open Library is an initiative of the Internet Archive, a non-profit organization dedicated to digitizing cultural artifacts and making them accessible to the public. Open Library hosts millions of books, including both public domain works and contemporary titles. It also allows users to borrow digital copies of certain books for a limited period, similar to a library lending system. Additionally, many universities and educational institutions have their own digital libraries that provide free access to PDF books and manuals. These libraries often offer academic texts, research papers, and technical manuals, making them invaluable resources for students and researchers. Some notable examples include MIT OpenCourseWare, which offers free access to course materials from the Massachusetts Institute of Technology, and the Digital Public Library of America, which provides a vast collection of digitized books and historical documents. In conclusion, Kubota Mowers Service Manual books and manuals for download

have transformed the way we access information. They provide a cost-effective and convenient means of acquiring knowledge, offering the ability to access a vast library of resources at our fingertips. With platforms like Project Gutenberg, Open Library, and various digital libraries offered by educational institutions, we have access to an ever-expanding collection of books and manuals. Whether for educational, professional, or personal purposes, these digital resources serve as valuable tools for continuous learning and self-improvement. So why not take advantage of the vast world of Kubota Mowers Service Manual books and manuals for download and embark on your journey of knowledge?

### **FAQs About Kubota Mowers Service Manual Books**

How do I know which eBook platform is the best for me? Finding the best eBook platform depends on your reading preferences and device compatibility. Research different platforms, read user reviews, and explore their features before making a choice. Are free eBooks of good quality? Yes, many reputable platforms offer high-quality free eBooks, including classics and public domain works. However, make sure to verify the source to ensure the eBook credibility. Can I read eBooks without an eReader? Absolutely! Most eBook platforms offer web-based readers or mobile apps that allow you to read eBooks on your computer, tablet, or smartphone. How do I avoid digital eye strain while reading eBooks? To prevent digital eye strain, take regular breaks, adjust the font size and background color, and ensure proper lighting while reading eBooks. What the advantage of interactive eBooks? Interactive eBooks incorporate multimedia elements, quizzes, and activities, enhancing the reader engagement and providing a more immersive learning experience. Kubota Mowers Service Manual is one of the best book in our library for free trial. We provide copy of Kubota Mowers Service Manual in digital format, so the resources that you find are reliable. There are also many Ebooks of related with Kubota Mowers Service Manual. Where to download Kubota Mowers Service Manual online for free? Are you looking for Kubota Mowers Service Manual PDF? This is definitely going to save you time and cash in something you should think about.

### **Find Kubota Mowers Service Manual :**

**grove 700e service manual**

~~grove aerial lift parts manual~~

**gsmoon repair manual**

[groovy programming an introduction for java developers](#)

[growing vegetables your garden vegetable](#)

**guia de conversacion espanol catalan**

**guerre scolaire guy georges**

*grove electric manual amz86*

~~gsm intelligent wireless burglar alarm system manual~~

**griqua records isbn 0958411212**

*grove crane rt540e manual*

grote mensen daar kan je beter soep van koken tek mance post

griechische und r mische metrologie griechische und r mische metrologie

**grow room setup guide**

**guess what i am clues**

### **Kubota Mowers Service Manual :**

*best pdf iron maiden official 2018 calendar a3 poster format - Sep 03 2022*

web pdf download iron maiden official 2018 calendar a3 poster format calendar calendar 2018 read iron maiden official 2018 calendar a3 poster format calendar

*iron maiden official 2017 a3 calendar pdf uniport edu - Jul 01 2022*

web iron maiden official 2017 a3 calendar 1 8 downloaded from uniport edu ng on august 11 2023 by guest iron maiden official 2017 a3 calendar this is likewise one of the factors by obtaining the soft documents of this iron maiden official 2017 a3 calendar by online you might not require more time to spend to go to the ebook creation as

*amazon co uk iron maiden calendar - Jan 07 2023*

web sep 17 2022 calendar 1011 10 99 two for 10 00 on diaries and calendars get it tomorrow dec 13 free delivery by amazon arrives before christmas small business iron maiden calendar 2023 wall a3 calendar gift present with organising stickers 4 7 35 1199 get it saturday dec 17 arrives before christmas small business iron

*iron maiden 2017 a3 calendar pinterest - Mar 09 2023*

web oct 6 2016 iron maiden are here to ensure that you welcome 2017 in in true heavy metal mode this fantastic a3 calendar will soon take you on a trip down memory lane with images photographed from their unforgettable book of souls world tour featured for each month of the year officially licensed free uk delivery on orders over

**iron maiden official 2017 a3 calendar wordery com - Jun 12 2023**

web oct 1 2016 get free shipping on iron maiden official 2017 a3 calendar from wordery com your browser does not have javascript enabled and therefore may not



**iron maiden 2017 teaser ad youtube** - Aug 02 2022

web iron maiden 2017 teaser ad 2 59m subscribers subscribe 4 4k 226k views 6 years ago on tour in 2017 see ironmaiden com for details subscribe to iron maiden on youtube

**iron maiden official 2017 a3 calendar pdf pdf red ortax** - Jan 27 2022

web iron maiden official 2017 a3 calendar pdf pages 2 11 iron maiden official 2017 a3 calendar pdf upload jason c paterson 2 11 downloaded from red ortax org on september 4 2023 by jason c paterson iron maiden pocket albums collection merry christmas and best wishes for the new year 1 of 4

*iron maiden official website* - May 31 2022

web iron maiden will bring the future past to power trip usa october 23 tickets are on sale from 10am pt on thursday april 6 register now for access to tickets read more feb 28th 2023

iron maiden official calendar 2017 iron maiden collector - Sep 15 2023

web iron maiden official calendar 2017 1492 tags category calendars artist iron maiden year 2017 popular additions iron maiden the beast collection box set box sets 19496 views iron maiden powerslave mask iron maiden

iron maiden official 2018 calendar a3 poster format calendar - Feb 08 2023

web iron maiden official 2018 calendar a3 poster format calendar calendar 2018 iron maiden amazon com tr kitap *buy iron maiden official 2017 a3 calendar book online at low* - Jul 13 2023

web amazon in buy iron maiden official 2017 a3 calendar book online at best prices in india on amazon in read iron maiden official 2017 a3 calendar book reviews author details and more at amazon in free delivery on qualified orders

*iron maiden 2023 calendar month to view a3 wall calendar official* - Apr 29 2022

web sep 17 2022 this title will be released on september 11 2023 2023 iron maiden a3 calendar this calendar is based on the latest tour with each month featuring fabulous pictures of this revered rock band including bruce dickinson steve harris nicko mcbrain adrian smith dave murray and janick gers

*win the iron maiden official calendar 2017 maidenfans* - Apr 10 2023

web nov 11 2016 1 it s getting toward that time of year again and we ve teamed up with danilo to give away copies of the official iron maiden 2017 calendar all you have to do to be in with a chance of winning is post in this thread and be located in the uk europe we ll announce the winners on december 1st

iron maiden official 2018 calendar a3 poster format calendar - Dec 06 2022

web sep 25 2017 buy iron maiden official 2018 calendar a3 poster format calendar calendar 2018 by iron maiden isbn 9781785493065 from amazon s book store everyday low prices and free delivery on eligible orders calendar wall calendar 25 sept 2017 by iron maiden author 4 8 4 8 out of 5 stars 89 ratings see all formats

*iron maiden official 2017 a3 calendar by speakings gestamp* - Feb 25 2022

web jun 9 2023 tricky we pay for iron maiden official 2017 a3 calendar by and multiple books collections from fictions to scientific researchh in any way music calendars iron maiden isbn 1785495577 isbn 13 9781785495571 for sale iron maiden 2020 calendar danilo iron maiden official 2017 calendar a3 wall calendar 2017

iron maiden official a3 calendar calendar and diary - Nov 05 2022

web this a3 calendar format gives you the opportunity of having an iron maiden poster calendar alongside a date panel out of stock sku 11621 categories a3 calendars entertainment music tags bruce dickinson eddie iron maiden bts official wall calendar rita ora official a3 calendar

**iron maiden official 2017 calendar vinyl records and cds for** - May 11 2023

web iron maiden official 2017 calendar iron maiden discography recently listed refine search results artist title label cat num barcode genre country seller price to no vinyl cdr iron maiden official 2017 calendar

**official iron maiden 2021 calendar a3 wall format calendar** - Mar 29 2022

web oct 1 2020 buy official iron maiden 2021 calendar a3 wall format calendar by danilo promotions ltd isbn 9781838543792 from amazon s book store everyday low prices and free delivery on eligible orders official iron maiden 2021 calendar a3 wall format calendar amazon co uk danilo promotions ltd 9781838543792 books

*iron maiden 2024 a3 calendar danilo promotions* - Aug 14 2023

web celebrate the music and legacy of iron maiden with the official 2024 calendar this a3 size calendar features beautiful full color images of the iconic heavy metal band and has plenty of space for all your important dates and events

**iron maiden official 2018 yumpu** - Oct 04 2022

web pdf download iron maiden official 2018 calendar a3 poster format calendar calendar 2018 read iron maiden official 2018 calendar a3 poster format calendar

*die lebenswelt des europäischen spätmittelalters kleine* - Aug 31 2023

web die lebenswelt des europäischen spätmittelalters kleine schicksale selbst erzählt in schreiben an den papst arnold esch arnold esch munich verlag c h beck 2014

**die lebenswelt des europäischen spätmittelalters lünebuch de** - May 16 2022

web sep 29 2014 menschen des späten mittelalters die sonst in keiner historischen quelle zu worte kämen erzählen ihre kleinen schicksale sie schreiben an den papst und bitten

**die lebenswelt des europäischen spätmittelalters beck elibrary** - Sep 19 2022

web aus tausenden von unveröffentlichten schreiben an den papst hat arnold esch für diesen band der an die wahren geschichten aus dem mittelalter anschließt eine auswahl

**die lebenswelt des europäischen spätmittelalters overdrive** - Oct 21 2022

web sep 29 2014 aus tausenden von unveröffentlichten schreiben an den papst hat arnold esch für diesen band der an die wahren geschichten aus dem mittelalter anschließt

**esch arnold die lebenswelt des europäischen spätmittelalters** - Feb 10 2022

web sep 15 2014 menschen des späten mittelalters die sonst in keiner historischen quelle zu wort kämen erzählen ihre kleinen schicksale sie schreiben an den papst und bitten

**die lebenswelt des europaischen spatmittelalters** - Apr 14 2022

web die lebenswelt des europäischen spätmittelalters wege zur rechtsgeschichte gerichtbarkeit und verfahren europäisches spitalwesen pleasure and leisure in the

**free die lebenswelt des europaischen spatmittelalters** - Nov 21 2022

web die lebenswelt des europaischen spatmittelalters die neue frömmigkeit in europa im spätmittelalter jul 23 2022 der band geht auf eine tagung des mpi für geschichte

**die lebenswelt des europäischen spätmittelalters weltbild** - Jul 18 2022

web bücher bei weltbild jetzt die lebenswelt des europäischen spätmittelalters von arnold esch versandkostenfrei bestellen bei weltbild ihrem bücher spezialisten

*die lebenswelt des europäischen spätmittelalters gebunden* - Mar 14 2022

web sie schreiben an den papst und bitten um beistand da geht es um liebe und tod krie die lebenswelt des europäischen spätmittelalters gebunden buchhandlung die gute

**die lebenswelt des europäischen spätmittelalters kleine** - Dec 23 2022

web menschen des späten mittelalters die sonst in keiner historischen quelle zu wort kämen erzählen ihre kleinen schicksale sie schreiben an den papst und bitten um beistand

**die lebenswelt des europäischen spätmittelalters apple books** - Jan 24 2023

web sep 29 2014 menschen des späten mittelalters die sonst in keiner historischen quelle zu worte kämen erzählen ihre kleinen schicksale sie schreiben an den papst und bitten

*die lebenswelt des europaischen spatmittelalters* - Jun 28 2023

web vergnügliche kulturgeschichte des mündlichen erzählens die bezeichnenden formen und funktionen der vielfältigen erzähltraditionen ergeben ein schillerndes bild der

die lebenswelt des europäischen spätmittelalters kobo com - Mar 26 2023

web lesen sie die lebenswelt des europäischen spätmittelalters kleine schicksale selbst erzählt in schreiben an den papst von arnold esch erhältlich bei rakuten kobo

**die lebenswelt des europäischen spätmittelalters lünebuch de** - Jun 16 2022

web sep 12 2014 menschen des späten mittelalters die sonst in keiner historischen quelle zu wort kämen erzählen ihre kleinen schicksale sie schreiben an den papst und bitten

die lebenswelt des europäischen spätmittelalters e book - Aug 19 2022

web sie schreiben an den papst und bitten um absolution da geht es um liebe und tod k die lebenswelt des europäischen spätmittelalters e book epub bücher am

**arnold esch die lebenswelt des europäischen** - Jul 30 2023

web oct 8 2014 klappentext menschen des späten mittelalters die sonst in keiner historischen quelle zu wort kämen erzählen ihre kleinen schicksale sie schreiben an

**die lebenswelt des europäischen spätmittelalters worldcat org** - Feb 22 2023

web summary die folgende darstellung beruht auf tausenden von schreiben an den papst die im archiv der pönitentiarie in rom liegen und in denen menschen nach

**esch die lebenswelt des europäischen spätmittelalters** - Oct 01 2023

web sep 29 2014 menschen des späten mittelalters die sonst in keiner historischen quelle zu worte kämen erzählen ihre kleinen schicksale sie schreiben an den papst und bitten um absolution da geht es um liebe und tod krieg und pest condottieri und piraten

**die lebenswelt des europäischen spatmittelalters** - May 28 2023

web handbuch der europäischen geschichte europe im hoch und spätmittelalter zwischen rittergut residenz und reich die theologie calvins im rahmen der europäischen

*die lebenswelt des europäischen spätmittelalters overdrive* - Jan 12 2022

web menschen des späten mittelalters die sonst in keiner historischen quelle zu worte kämen erzählen ihre kleinen schicksale sie schreiben an den papst und bitten um absolution

die lebenswelt des europ ischen sp tmittelalters kleine - Apr 26 2023

web die lebenswelt des europa ischen spa tmittelalters kleine schicksale selbst erza hlt in schreiben an den papst arnold esch munich verlag c h beck 2014 544 pp 29 95

**here are 10 of the most common types of camera shots in film** - May 23 2022

web oct 27 2023 the wiral lite offers three speed modes to suit a variety of shooting situations normal mode offers speeds of up to 4ft s 2 9mph while timelapse mode

*setting up your shots great camera moves every fi 2023* - Oct 28 2022

web j mp 1lide1v

[setting up your shots great camera moves every filmmaker](#) - Apr 21 2022

web jun 14 2023 we settle for setting up your shots great camera moves every filmmaker should know by jeremy vineyard and numerous books collections from fictions to

[setting up your shots great camera moves every filmmaker](#) - Nov 28 2022

web setting 8 setting the microphone with setting 8 we re focusing on getting the audio just right by setting the microphone although cameras have auto mic settings it s

**setting up your shots great camera moves every filmmaker** - May 03 2023

web setting up your shots great camera moves every filmmaker should know revised ebook vineyard jeremy cruz jose amazon com au books

**the ultimate guide to the best camera settings for video** - Jul 25 2022

web sep 9 2020 description setting up your shots great camera moves every filmmaker should know but in order to make a lot of money being an e book writer

[amazon com customer reviews setting up your shots great](#) - Jan 31 2023

web sep 24 2020 5 medium shot ms the medium shot is one of the most commonly used camera shots it focuses on the subject from the waist up it is a perfect shot in films

**setting up your shots great camera moves every** - Jul 05 2023

web buy setting up your shots great camera moves every filmmaker should know 2rev ed by jeremy vineyard isbn 9781932907421 from amazon s book store everyday

**setting up your shots microfilmmaker com** - Aug 26 2022

web setting up your shots is a good entry level book for filmmakers it s all about what shot is best to tell the story and convey an idea to the audience each page of the book has a

*setting up your shots great camera moves every filmmaker* - Jun 23 2022

web setting up your shots great camera moves every fi master shots vol 1 may 30 2021 master shots gives filmmakers the techniques they need to execute complex original

*the complete guide to camera shots topsheet* - Sep 26 2022

web oct 13 2021 extreme close up the extreme close up camera shot is exactly what it sounds like the camera shows as much detail as possible an extreme close up also

[setting up your shots great camera moves every filmmaker](#) - Apr 02 2023

web book overview a complete visual encyclopaedia of creative camera set ups and moves for filmmakers and cinema fans it features over 100 storyboards with simple descriptions

[setting up your shots great camera moves every filmmaker](#) - Nov 16 2021

**setting up your shots great camera moves every filmmaker should know by vineyard jeremy 2** - Oct 08 2023

web jan 25 2000 jeremy vineyard 3 89 194 ratings15 reviews over 100 storyboards with simple descriptions genres filmnonfictionarteducationreferencephotography 142

[setting up your shots great camera moves every](#) - Jun 04 2023

web find helpful customer reviews and review ratings for setting up your shots great camera moves every filmmaker should know at amazon com read honest and

*kindle setting up your shots great camera moves every* - Feb 17 2022

*best camera for action shots 2023 updated just a taste* - Dec 18 2021

**how to set up your camera and start shooting** - Mar 21 2022

web nov 1 2023 watch newsmx2 live for the latest news and analysis on today s top stories from your favorite newsmx personalities newsmx2 weekday

**setting up your shots great camera moves every filmmaker** - Dec 30 2022

web setting up your shots provides over a 100 different camera moves and editing techniques you can familiarize yourself with and showcases what popular movies have used these

[setting up your shots great camera moves every](#) - Sep 07 2023

web setting up your shots is a complete visual encyclopedia of creative camera set ups and moves every filmmaker and cinema fan will want to own over 100 storyboards with

*downloadable free pdfs setting up your shots great camera* - Jan 19 2022

[setting up your shots great camera moves every](#) - Mar 01 2023

web at the end of every chapter with nikon d3100 from snapshots to great shots you ll learn not only what makes a great shot work you ll learn how to get that shot using your d3100

[setting up your shots great camera moves every](#) - Aug 06 2023

web feb 1 2000 2023 tldr this work analyzes a corpus of 66 geographic data videos and derives a design space of camera movements with a dimension for geospatial targets

**newsmx 2 live wednesday nov 1 2023 facebook** - Oct 16 2021

