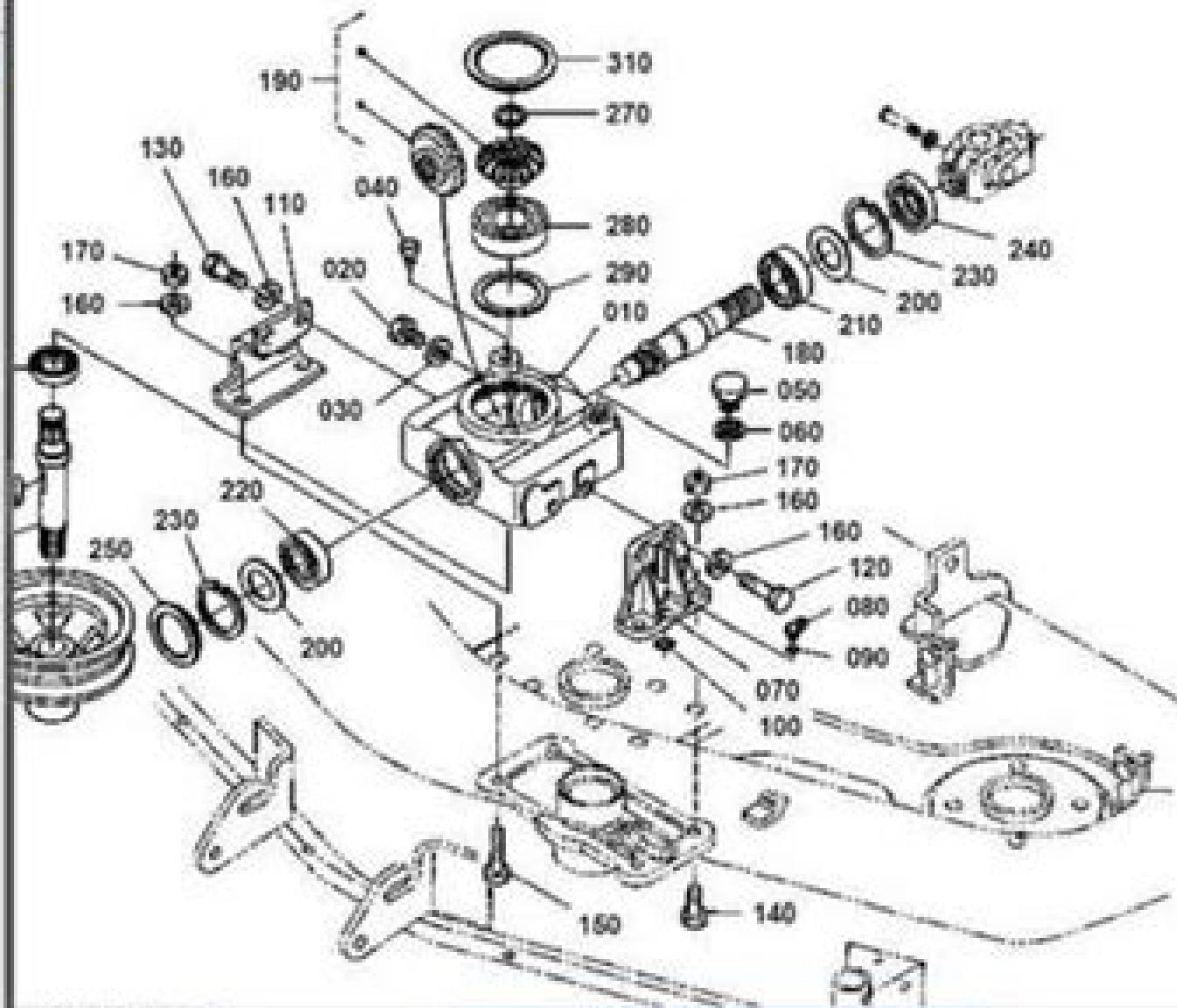


- ALL PRODUCT INDEX
- UNIVERSAL JOINT
- BEVEL GEAR CASE
- PULLEY HOLDER
- BLADE
- TENSION PULLEY
- MOWER DECK
- FRONT GAUGE WHEEL
- DISCHARGE COVER
- LINKAGE
- ACCESSORIES AND SERVICE PARTS



Kubota Pro 72 Manual

SA Adler



Kubota Pro 72 Manual:

A Manual of Pharmacology and Its Applications to Therapeutics and Toxicology Torald Hermann Sollmann, 1922

A Manual of pharmacology and its applications to therapeutics and toxicology Torald Hermann Sollmann, 1922 **A**

MANUAL OF PHARMACOLOGY AND ITS APPLICATIONS TO THERAPEUTICS AND TOXICOLOGY TORALD

SOLLMANN, M. D. ,1922 Manual of Molecular and Clinical Laboratory Immunology Barbara Detrick, John L.

Schmitz, Robert G. Hamilton, 2020-07-16 THE authoritative guide for clinical laboratory immunology For over 40 years the Manual of Molecular and Clinical Laboratory Immunology has served as the premier guide for the clinical immunology laboratory From basic serology testing to the present wide range of molecular analyses the Manual has reflected the exponential growth in the field of immunology over the past decades This eighth edition reflects the latest advances and developments in the diagnosis and treatment of patients with infectious and immune mediated disorders The Manual features detailed descriptions of general and specific methodologies placing special focus on the interpretation of laboratory findings and covers the immunology of infectious diseases including specific pathogens as well as the full range of autoimmune and immunodeficiency diseases cancer and transplantation Written to guide the laboratory director the Manual will also appeal to other laboratory scientists especially those working in clinical immunology laboratories and pathologists It is also a useful reference for physicians mid level providers medical students and allied health students with an interest in the role that immunology plays in the clinical laboratory **Manual of Molecular and Clinical Laboratory Immunology** John L.

Schmitz, Barbara Detrick, Maurice R. O'Gorman, 2024-12-24 THE authoritative guide for clinical laboratory immunology For nearly 50 years the Manual of Molecular and Clinical Laboratory Immunology has been the premier resource for laboratories students and professionals involved in the clinical and technical details of diagnostic immunology testing The 9th Edition continues its tradition of providing comprehensive clinical and technical information on the latest technologies used in medical and diagnostic immunology Led by a world renowned group of authors and editors this new edition reflects substantial changes aimed at improving and updating the Manual s utility while reflecting the significant transformations that have occurred since the last edition including the revolution of gene editing and the widespread adoption of molecularly engineered cellular therapies Topical highlights include Laboratory Management three new chapters cover essential aspects of quality assurance quality improvement and quality management aligning with the increasingly stringent and demanding regulatory environment Inborn Errors of Immunity the primary immunodeficiency section has been completely updated to align with the latest International Union of Immunological Societies classifications of inborn errors of immunity Functional Cellular Assays expanded content includes detailed discussions on various functional assays critical for modern immunologic testing Autoimmune Diseases expanded chapters on systemic and organ specific autoimmune disorders including new chapters on Sj gren s syndrome and deficiency of ADA2 as well as significant updates on organ specific autoimmune diseases

Transplantation Immunology updated chapters detail the assessment of immune reconstitution and ABO testing reflecting latest practices The 9th Edition of the Manual of Molecular and Clinical Laboratory Immunology serves as an invaluable resource for laboratory directors clinicians laboratory managers technologists and students It provides critical insights into the selection application and interpretation of immunologic tests offering practical guidance on troubleshooting clinical application and an understanding of test limitations This comprehensive and up to date manual remains an essential tool for anyone involved in the diagnosis evaluation and management of immune mediated and immune system related disorders

Power Farming in Australia and New Zealand Technical Manual ,1973 **Black Belt** ,1984-07 The oldest and most respected martial arts title in the industry this popular monthly magazine addresses the needs of martial artists of all levels by providing them with information about every style of self defense in the world including techniques and strategies In addition Black Belt produces and markets over 75 martial arts oriented books and videos including many about the works of Bruce Lee the best known martial arts figure in the world

Black Belt ,1984-06 The oldest and most respected martial arts title in the industry this popular monthly magazine addresses the needs of martial artists of all levels by providing them with information about every style of self defense in the world including techniques and strategies In addition Black Belt produces and markets over 75 martial arts oriented books and videos including many about the works of Bruce Lee the best known martial arts figure in the world

Black Belt ,1983-10 The oldest and most respected martial arts title in the industry this popular monthly magazine addresses the needs of martial artists of all levels by providing them with information about every style of self defense in the world including techniques and strategies In addition Black Belt produces and markets over 75 martial arts oriented books and videos including many about the works of Bruce Lee the best known martial arts figure in the world

Black Belt ,1984-02 The oldest and most respected martial arts title in the industry this popular monthly magazine addresses the needs of martial artists of all levels by providing them with information about every style of self defense in the world including techniques and strategies In addition Black Belt produces and markets over 75 martial arts oriented books and videos including many about the works of Bruce Lee the best known martial arts figure in the world

Black Belt ,1984-04 The oldest and most respected martial arts title in the industry this popular monthly magazine addresses the needs of martial artists of all levels by providing them with information about every style of self defense in the world including techniques and strategies In addition Black Belt produces and markets over 75 martial arts oriented books and videos including many about the works of Bruce Lee the best known martial arts figure in the world

Black Belt ,1984-08 The oldest and most respected martial arts title in the industry this popular monthly magazine addresses the needs of martial artists of all levels by providing them with information about every style of self defense in the world including techniques and strategies In addition Black Belt produces and markets over 75 martial arts oriented books and videos including many about the works of Bruce Lee the best known martial arts figure in the world

Black Belt ,1983-12 The

oldest and most respected martial arts title in the industry this popular monthly magazine addresses the needs of martial artists of all levels by providing them with information about every style of self defense in the world including techniques and strategies In addition Black Belt produces and markets over 75 martial arts oriented books and videos including many about the works of Bruce Lee the best known marital arts figure in the world **Black Belt** ,1984-05 The oldest and most respected martial arts title in the industry this popular monthly magazine addresses the needs of martial artists of all levels by providing them with information about every style of self defense in the world including techniques and strategies In addition Black Belt produces and markets over 75 martial arts oriented books and videos including many about the works of Bruce Lee the best known marital arts figure in the world Black Belt ,1983-11 The oldest and most respected martial arts title in the industry this popular monthly magazine addresses the needs of martial artists of all levels by providing them with information about every style of self defense in the world including techniques and strategies In addition Black Belt produces and markets over 75 martial arts oriented books and videos including many about the works of Bruce Lee the best known marital arts figure in the world **CCN Proteins** Masaharu Takigawa,2022-11-12 This second edition volume expands on the previous edition with updated methodologies and practical tips to overcome obstacles associated with experimentation pertaining to chemistry biology physiology pathology medical and dental sciences and pharmacology of CCN proteins The chapters in this book cover topics such as CCN4 immunofluorescence for tissue microarray utilizing public molecular biological databases for CCN family research the effects of CCN4 on pancreatic beta cell proliferation gene expression analysis of CCNs novel cell biological assays for measuring bone remodeling activities of CCN proteins and the function of CCN2 in tubular epithelium cells with a focus on renal fibrogenesis Written in the highly successful Methods in Molecular Biology series format chapters include introductions to their respective topics lists of the necessary materials and reagents step by step readily reproducible laboratory protocols and tips on troubleshooting and avoiding known pitfalls Cutting edge and comprehensive CCN Proteins Methods and Protocols Second Edition is a valuable resource for experienced CCN researchers looking for new approaches and novice researchers just starting out in the field of CCN research **Black Belt** ,1982-10 The oldest and most respected martial arts title in the industry this popular monthly magazine addresses the needs of martial artists of all levels by providing them with information about every style of self defense in the world including techniques and strategies In addition Black Belt produces and markets over 75 martial arts oriented books and videos including many about the works of Bruce Lee the best known marital arts figure in the world *Black Belt* ,1982-08 The oldest and most respected martial arts title in the industry this popular monthly magazine addresses the needs of martial artists of all levels by providing them with information about every style of self defense in the world including techniques and strategies In addition Black Belt produces and markets over 75 martial arts oriented books and videos including many about the works of Bruce Lee the best known marital arts figure in the world **Black Belt** ,1982-11 The oldest and most

respected martial arts title in the industry this popular monthly magazine addresses the needs of martial artists of all levels by providing them with information about every style of self defense in the world including techniques and strategies In addition Black Belt produces and markets over 75 martial arts oriented books and videos including many about the works of Bruce Lee the best known martial arts figure in the world Black Belt ,1982-07 The oldest and most respected martial arts title in the industry this popular monthly magazine addresses the needs of martial artists of all levels by providing them with information about every style of self defense in the world including techniques and strategies In addition Black Belt produces and markets over 75 martial arts oriented books and videos including many about the works of Bruce Lee the best known martial arts figure in the world

Embracing the Song of Phrase: An Emotional Symphony within **Kubota Pro 72 Manual**

In a world consumed by monitors and the ceaseless chatter of quick communication, the melodic elegance and mental symphony produced by the published word frequently diminish in to the back ground, eclipsed by the constant noise and disturbances that permeate our lives. However, situated within the pages of **Kubota Pro 72 Manual** an enchanting fictional treasure full of organic emotions, lies an immersive symphony waiting to be embraced. Constructed by an elegant composer of language, that fascinating masterpiece conducts visitors on an emotional trip, skillfully unraveling the concealed tunes and profound affect resonating within each cautiously constructed phrase. Within the depths of this touching assessment, we can investigate the book is main harmonies, analyze their enthralling writing design, and submit ourselves to the profound resonance that echoes in the depths of readers souls.

http://www.armchairempire.com/files/virtual-library/HomePages/het_huwelijk_dood_of_springlevend.pdf

Table of Contents Kubota Pro 72 Manual

1. Understanding the eBook Kubota Pro 72 Manual
 - The Rise of Digital Reading Kubota Pro 72 Manual
 - Advantages of eBooks Over Traditional Books
2. Identifying Kubota Pro 72 Manual
 - Exploring Different Genres
 - Considering Fiction vs. Non-Fiction
 - Determining Your Reading Goals
3. Choosing the Right eBook Platform
 - Popular eBook Platforms
 - Features to Look for in an Kubota Pro 72 Manual
 - User-Friendly Interface
4. Exploring eBook Recommendations from Kubota Pro 72 Manual
 - Personalized Recommendations

- Kubota Pro 72 Manual User Reviews and Ratings
- Kubota Pro 72 Manual and Bestseller Lists
- 5. Accessing Kubota Pro 72 Manual Free and Paid eBooks
 - Kubota Pro 72 Manual Public Domain eBooks
 - Kubota Pro 72 Manual eBook Subscription Services
 - Kubota Pro 72 Manual Budget-Friendly Options
- 6. Navigating Kubota Pro 72 Manual eBook Formats
 - ePub, PDF, MOBI, and More
 - Kubota Pro 72 Manual Compatibility with Devices
 - Kubota Pro 72 Manual Enhanced eBook Features
- 7. Enhancing Your Reading Experience
 - Adjustable Fonts and Text Sizes of Kubota Pro 72 Manual
 - Highlighting and Note-Taking Kubota Pro 72 Manual
 - Interactive Elements Kubota Pro 72 Manual
- 8. Staying Engaged with Kubota Pro 72 Manual
 - Joining Online Reading Communities
 - Participating in Virtual Book Clubs
 - Following Authors and Publishers Kubota Pro 72 Manual
- 9. Balancing eBooks and Physical Books Kubota Pro 72 Manual
 - Benefits of a Digital Library
 - Creating a Diverse Reading Collection Kubota Pro 72 Manual
- 10. Overcoming Reading Challenges
 - Dealing with Digital Eye Strain
 - Minimizing Distractions
 - Managing Screen Time
- 11. Cultivating a Reading Routine Kubota Pro 72 Manual
 - Setting Reading Goals Kubota Pro 72 Manual
 - Carving Out Dedicated Reading Time
- 12. Sourcing Reliable Information of Kubota Pro 72 Manual
 - Fact-Checking eBook Content of Kubota Pro 72 Manual

- Distinguishing Credible Sources
- 13. Promoting Lifelong Learning
 - Utilizing eBooks for Skill Development
 - Exploring Educational eBooks
- 14. Embracing eBook Trends
 - Integration of Multimedia Elements
 - Interactive and Gamified eBooks

Kubota Pro 72 Manual Introduction

Free PDF Books and Manuals for Download: Unlocking Knowledge at Your Fingertips In today's fast-paced digital age, obtaining valuable knowledge has become easier than ever. Thanks to the internet, a vast array of books and manuals are now available for free download in PDF format. Whether you are a student, professional, or simply an avid reader, this treasure trove of downloadable resources offers a wealth of information, conveniently accessible anytime, anywhere. The advent of online libraries and platforms dedicated to sharing knowledge has revolutionized the way we consume information. No longer confined to physical libraries or bookstores, readers can now access an extensive collection of digital books and manuals with just a few clicks. These resources, available in PDF, Microsoft Word, and PowerPoint formats, cater to a wide range of interests, including literature, technology, science, history, and much more. One notable platform where you can explore and download free Kubota Pro 72 Manual PDF books and manuals is the internet's largest free library. Hosted online, this catalog compiles a vast assortment of documents, making it a veritable goldmine of knowledge. With its easy-to-use website interface and customizable PDF generator, this platform offers a user-friendly experience, allowing individuals to effortlessly navigate and access the information they seek. The availability of free PDF books and manuals on this platform demonstrates its commitment to democratizing education and empowering individuals with the tools needed to succeed in their chosen fields. It allows anyone, regardless of their background or financial limitations, to expand their horizons and gain insights from experts in various disciplines. One of the most significant advantages of downloading PDF books and manuals lies in their portability. Unlike physical copies, digital books can be stored and carried on a single device, such as a tablet or smartphone, saving valuable space and weight. This convenience makes it possible for readers to have their entire library at their fingertips, whether they are commuting, traveling, or simply enjoying a lazy afternoon at home. Additionally, digital files are easily searchable, enabling readers to locate specific information within seconds. With a few keystrokes, users can search for keywords, topics, or phrases, making research and finding relevant information a breeze. This efficiency saves time and effort, streamlining the learning process and allowing individuals to focus on extracting the information they

need. Furthermore, the availability of free PDF books and manuals fosters a culture of continuous learning. By removing financial barriers, more people can access educational resources and pursue lifelong learning, contributing to personal growth and professional development. This democratization of knowledge promotes intellectual curiosity and empowers individuals to become lifelong learners, promoting progress and innovation in various fields. It is worth noting that while accessing free Kubota Pro 72 Manual PDF books and manuals is convenient and cost-effective, it is vital to respect copyright laws and intellectual property rights. Platforms offering free downloads often operate within legal boundaries, ensuring that the materials they provide are either in the public domain or authorized for distribution. By adhering to copyright laws, users can enjoy the benefits of free access to knowledge while supporting the authors and publishers who make these resources available. In conclusion, the availability of Kubota Pro 72 Manual free PDF books and manuals for download has revolutionized the way we access and consume knowledge. With just a few clicks, individuals can explore a vast collection of resources across different disciplines, all free of charge. This accessibility empowers individuals to become lifelong learners, contributing to personal growth, professional development, and the advancement of society as a whole. So why not unlock a world of knowledge today? Start exploring the vast sea of free PDF books and manuals waiting to be discovered right at your fingertips.

FAQs About Kubota Pro 72 Manual Books

How do I know which eBook platform is the best for me? Finding the best eBook platform depends on your reading preferences and device compatibility. Research different platforms, read user reviews, and explore their features before making a choice. Are free eBooks of good quality? Yes, many reputable platforms offer high-quality free eBooks, including classics and public domain works. However, make sure to verify the source to ensure the eBook credibility. Can I read eBooks without an eReader? Absolutely! Most eBook platforms offer web-based readers or mobile apps that allow you to read eBooks on your computer, tablet, or smartphone. How do I avoid digital eye strain while reading eBooks? To prevent digital eye strain, take regular breaks, adjust the font size and background color, and ensure proper lighting while reading eBooks. What the advantage of interactive eBooks? Interactive eBooks incorporate multimedia elements, quizzes, and activities, enhancing the reader engagement and providing a more immersive learning experience. Kubota Pro 72 Manual is one of the best book in our library for free trial. We provide copy of Kubota Pro 72 Manual in digital format, so the resources that you find are reliable. There are also many Ebooks of related with Kubota Pro 72 Manual. Where to download Kubota Pro 72 Manual online for free? Are you looking for Kubota Pro 72 Manual PDF? This is definitely going to save you time and cash in something you should think about.

Find Kubota Pro 72 Manual :

het huwelijk dood of springlevend

het ontwapenings handboek

het boek van godsvertrouwen

het leven onder de zeespiegel

het italiaanse meisje

heres to friends a novel the four lindas

het gebeurde in 1923

het kunstambacht en de volkskunst in friesland heemschutserie deel 19

heroes of might and magic iv instruction manual

het duitse nationaalsocialisme de westeuropesche democratie op de proef gesteld

het kerstfeest van magdalena serie zilvervissen

het geheim van den profeet

het vreemde in de blik van jeanpaul sartre

het wijde leven 6 leesboek voor de christelijke scholen

het tjeukermeer de tsjkemar fryske feriening foar fjildbiology

Kubota Pro 72 Manual :

macbook pro 2023 user guide for beginners and seniors with - Feb 07 2023

web nov 7 2023 the new 14 16 macbook pro models offer higher performance than before more hours of battery life faster wi fi more storage space a bright colorful display in a sleek and portable design you may have just purchased one of these devices and want to make the most out of it mas

macbook pro user guide for new users seniors 2020 - Mar 08 2023

web 2 macbook pro user guide for new users seniors 2020 2023 02 23 macbook pro user guide for new users seniors 2020 downloaded from ai classmonitor com by guest gemma dorsey m1 macbook air user guide o reilly media inc written in an easy to follow way with large text and images throughout macbook for seniors reveals

beginner s guide to using macbook macbook air macbook pro - May 10 2023

web last updated 25 december 2020 macbook pro image credit rene ritche imore so you ve purchased your new mac and you ve got it all set up now you re sitting in front of your screen wondering what to do next lucky for you we ve got this useful

guide to understanding the basic anatomy of your desktop or laptop
[macbook pro user guide for new users seniors 2020 pdf](#) - Apr 09 2023

web this new kindle paperwhite manual will help owners of this new e reader get the most out of their device the user guide covers all of the basic instructions including how to navigate
[macbook pro official apple support](#) - Jun 11 2023

web learn how to set up and use your macbook pro find all the topics resources and contact options you need for your macbook pro

[macbook pro user guide for new users seniors 2020 pdf pdf](#) - Feb 24 2022

web macbook pro user guide for new users seniors 2020 pdf introduction macbook pro user guide for new users seniors 2020 pdf pdf the senior user guide to iphone 13 pro and pro max

imac user guide the 2020 instruction for beginners and seniors - Jun 30 2022

web nov 25 2021 in this guide you ll learn all the mind blowing features of the new imac 2020 how to set up your imac how to change your imac password to a new one and more this guide is a one stop option for you in your quest to get a manual that will help you master your new imac 2020 model with detailed tips tricks and comprehensive

[macbook pro m1 2020 user guide apple books](#) - Sep 14 2023

web the complete beginner to expert guide to maximizing your macbook pro m1 2020 are you looking for a comprehensive user manual that will help you setup and master your macbook pro are you looking for a manual that will expose you to all the amazing features of your device and macos big sur

[free pdf download macbook pro user guide for new users seniors 2020](#) - Aug 01 2022

web macbook pro user guide for new users seniors 2020 aqa as a2 biology student unit guide new edition units 3 6 investigative and practical skills in biology nov 08 2021 written by steve potter and revised by a senior examiner martin rowland this aqa as a2 biology student

[macbook pro user guide for new users seniors 2020 pdf](#) - Apr 28 2022

web macbook pro user guide for new users seniors 2020 ipad pro user guide for beginners jul 09 2023 this book will help you explore some features of your ipad pro that you probably didn t know existed and also get you started on your device in no time you can also buy it as a gift for that son or daughter of

macbook pro m1 2020 user guide by scott edward scribd - Jan 06 2023

web save macbook pro m1 chip user guide the ultimate basics guide for beginners and seniors to setup and master the new macbook pro apple m1 chip with tips tricks for later 100 deadly skills the seal operative s guide to eluding pursuers evading capture and surviving any dangerous situation

apple support manuals - Oct 15 2023

web browse manuals by product apple watch iphone ipad mac laptops mac desktops apple tv airpods homepod ipod airtag displays and accessories professional software macos consumer software productivity software quicktime servers

macbook pro user guide for new users seniors 2020 chris - Oct 03 2022

web it is your definitely own grow old to pretense reviewing habit in the middle of guides you could enjoy now is macbook pro user guide for new users seniors 2020 below macbook pro with mi chip user guide emil adah

macbook pro ultimate guide manual for beginners seniors - Jul 12 2023

web sep 26 2023 introducing the macbook pro ultimate guide manual for beginners and seniors your indispensable companion on this exciting voyage packed with invaluable insights and user friendly instructions this guide is designed to empower you whether you re a tech novice or a seasoned user here s why you ll love it unlock the full

macbook pro user guide for beginners and seniors 2019 updated manual - Nov 04 2022

web oct 17 2019 if you are looking for a complete user guide that has all the hidden tips and tricks to maximize the benefits of your 2019 macbook pro on macos catalina this is the guide for you with the introduction of macos catalina you now have more features to explore on your macbook pro like the picture in picture feature new dark mode apple

[macbook pro user guide for new users seniors 2020 pdf](#) - May 30 2022

web macbook pro user guide for new users seniors 2020 jenkins the definitive guide feb 24 2022 streamline software development with jenkins the popular java based open source tool that has revolutionized the way teams think about continuous integration ci this complete guide shows you

[macbook pro user guide 2020 a complete manual for beginners seniors](#) - Aug 13 2023

web sep 19 2020 macbook pro user guide 2020 a complete manual for beginners seniors and pros to learn understand and master the macbook pro 2020 version with tips shortcuts and illustrative pictures included volt karen 9798688097542 amazon com books books

[macbook air 2020 model for seniors apple books](#) - Dec 05 2022

web mar 26 2020 this book is meant to help users who are picking up a macbook for the first time while it s based on the macbook air 2020 model you will be fine if you own any other current mac model the following topics will be covered inside what s the difference between all the different macs and macbook s accessibility features

[macbook pro user guide for new users seniors 2020](#) - Mar 28 2022

web macbook pro user guide for new users seniors 2020 national audubon society field guide to new england mar 08 2022 the most comprehensive field guide available to new england a portable essential companion for visitors and residents alike from the go to reference source for over 18 million nature lovers this

macbook pro user guide for new users seniors 2020 - Sep 02 2022

web macbook pro user guide for new users seniors 2020 macbook all in one for dummies macbook for seniors macbook pro user guide macbook pro 2021 user guide with m1 pro and m1 max processor macbook pro vs macbook air user manual m1 macbook pro user guide macbook air user guide for beginners and seniors

[christmas is cancelled official trailer youtube](#) - Jun 18 2023

web nov 24 2021 163k views 1 year ago comedy christmasiscancelled dermotmulroney christmas is cancelled it's the fight before christmas as 29 year old emma discovers that her dad is dating her high

christmas is canceled 2021 reelgood - May 05 2022

web christmas is canceled share watch christmas is canceled romance comedy 18 r 2021 1h 35m watch now add to watchlist 56 100 39036 ranked movie

christmas is cancelled wikipedia - Aug 20 2023

web christmas is cancelled previously titled the fight before christmas 2 is a 2021 american romantic comedy film directed by prarthana mohan and written by sara endsley it stars hayley orrantia janel parrish and dermot mulroney in the lead roles

christmas is cancelled where to stream and watch decider - Jan 13 2023

web dec 17 2021 looking to watch christmas is cancelled find out where christmas is cancelled is streaming if christmas is cancelled is on netflix and get news and updates on decider

[christmas is canceled movie watch streaming online justwatch](#) - Aug 08 2022

web is netflix amazon fandor itunes etc streaming christmas is canceled find where to watch movies online now

christmas is canceled 2021 the movie database tmdb - Oct 10 2022

web christmas is canceled 2021 back to main cast 7 hayley orrantia emma lockhart dermot mulroney dad jack lockhart janel parrish brandy barnes michael naizu josh jamison mirelly taylor mom joanna lockhart emilie modaff charlyne caito aase lola crew 23 art tony wash

watch christmas is canceled prime video amazon com - Jun 06 2022

web christmas is canceled a father begins dating his 29 year old daughter s high school frenemy soon after his wife passes away his daughter embarks on a mission to break up the happy couple 203 imdb 4 8 1 h 34 min 2021 x ray r comedy romance feel good fun watch with a free prime trial watch with prime start your 30 day free trial details

christmas is canceled 2021 full cast crew imdb - Mar 03 2022

web christmas is canceled 2021 cast and crew credits including actors actresses directors writers and more

[christmas is canceled 2021 imdb](#) - Jul 19 2023

web dec 17 2021 emma s father and her high school frenemy start dating so she embarks on a mission to break up the

happy couple director prarthana mohan writer sara endsley stars hayley orrantia dermot mulroney janel parrish

christmas is canceled stream it or skip it decider - May 17 2023

web dec 20 2021 in christmas is canceled now streaming on amazon prime video a young woman gets a cringeworthy christmas wakeup call when she discovers her widowed father is dating an old high school

christmas is cancelled film review ashley manning - Nov 11 2022

web dec 21 2021 director prarthana mohan starring sara endsley starring hayley orrantia janel parrish dermot mulroney michael naizu emilie modaff rating every so often a film comes along that s so bad it s almost like a punishment having to sit through it that s what christmas is cancelled is horrendous with no redeeming qualities you don t

christmas is cancelled biletinial - Apr 16 2023

web christmas is cancelled sinema bileti al christmas is cancelled fragman izle christmas is cancelled sinema bileti christmas is cancelled seansları christmas is cancelled bileti christmas is cancelled sinema salonu sensları christmas is cancelled ne zaman çıkacak christmas is cancelled vizyon tarihi christmas is cancelled sinema salonu

christmas is canceled rotten tomatoes - Jul 07 2022

web where to watch christmas is canceled subscription watch christmas is canceled for free on amazon prime video

christmas is cancelled streaming where to watch online - Mar 15 2023

web currently you are able to watch christmas is canceled streaming on amazon prime video synopsis a father begins dating his 29 year old daughter emma s high school

christmas is canceled official trailer 2021 youtube - Dec 12 2022

web christmasiscanceled official trailer 2021 lionsgate phf trailer film movie truck cinema movies trailers camping teaser ps love trucks video

newspaper headlines christmas cancelled and surging mutant - Feb 14 2023

web dec 20 2020 scotland on sunday similarly describes the tightening of measures as the nightmare before christmas the sun on sunday points out that boris johnson is the first british leader to ban christmas

christmas is canceled 2021 imdb - Sep 09 2022

web rabbitmoon 19 december 2021 i don t mind a low budget try hard tacky christmas film here and there they make for nice background trashy entertainment but when one normalises a coldly unempathic bereaved 58yr old seducing a 20something friend of his daughter and his daughter is made out to be the one with the problem its messages aren t

christmas is cancelled wikiwand - Jan 01 2022

web christmas is cancelled is a 2021 american romantic comedy film directed by prarthana mohan and written by sara endsley it stars hayley orrantia janel parrish and dermot mulroney in the lead roles

christmas is cancelled film 2021 allociné - Apr 04 2022

web dec 15 2021 christmas is cancelled est un film réalisé par prarthana mohan avec dermot mulroney janel parrish découvrez toutes les informations sur le film christmas is cancelled les vidéos et les

christmas is cancelled apple tv ca - Feb 02 2022

web christmas is cancelled comedy emma s father and her high school frenemy starts dating where she embarks on a mission to break up the happy couple

amazon com madame prudente monsieur madame english - Feb 02 2023

web little miss careful madame prudente is part of the little miss series by roger hargreaves she was created by two writers viviane cohen and evelyne lallemand and an

madame prudente character sanrio wiki - May 05 2023

web jun 6 2014 amazon com madame prudente monsieur madame english and french edition by roger hargreaves 2009 03 01 everything else

madame prudente roger hargreaves broché fnac - Sep 28 2022

web may 22 2023 prudente m or f plural prudentes comparable comparative mais prudente superlative o mais prudente or prudentissimo prudent cautious spanish edit

madame prudente monsieur madame french edition - Mar 03 2023

web madame prudente hargreaves roger 1935 1988 auteur et illustrateur de livres pour enfants creator hus david colette 1962 illustratrice contributor vanves

prudente définition simple et facile du dictionnaire l internaute - Oct 18 2021

madame prudente monsieur madame 2248 paperback - Apr 04 2023

web this is book number 2248 in the monsieur madame series 7 monsieur grognon monsieur madame 7 paperback 9 95 9 monsieur nigaud monsieur madame

madame prudente french edition by roger - Oct 10 2023

web nov 11 2013 a collection comporte 92 histoires 49 monsieur 43 madame le premier né de la série est monsieur chatouille un bonhomme orange avec des bras long et sinueux

l histoire de madame prudente monsieur madame youtube - Mar 23 2022

web presidente prudente is a city in the state of são paulo brazil the city has a population of 230 371 inhabitants ibge 2020 and area of 562 8 km² the city is named after president

madame prudente youtube - May 25 2022

web jan 10 2023 vos enfants aiment les histoires voici une chaîne dédiée aux livres audio

little miss careful mr men wiki fandom - Oct 30 2022

web madame prudente french edition on amazon com free shipping on qualifying offers madame prudente french edition

madame prudente monsieur madame 2248 paperback - Jan 01 2023

web monsieur madame madame prudente roger hargreaves hachette jeunesse des milliers de livres avec la livraison chez vous en 1 jour ou en magasin avec 5 de

mme prudente roger hargreaves babelio - Sep 09 2023

web in the french versions the little misses are transformed into married women madame meaning mrs in french madame prudente meaning mrs prudent has not been

horóscopo hoy jueves 9 de noviembre de 2023 horóscopo diario - Nov 18 2021

little miss cautious madame prudente - Aug 08 2023

web madame prudente by roger hargreaves may 2000 hachette edition paperback

madame prudente download only files climagic - Apr 23 2022

web prudente may refer to prudente de morais 1841 1902 the third president of brazil the first civilian nemesio prudente died 2008 filipino political activist and university

les monsieur madame mme prudente youtube - Feb 19 2022

web soy madame caterina y me dedico a estudiar cada día los planetas estrellas y constelaciones para traducirte y explicarte sus designios este es el horóscopo de hoy

madame prudente lecture youtube - Aug 28 2022

web monsieur m lit madame prudente monsieur m lit madame prudente about

presidente prudente wikipedia - Dec 20 2021

prudente wikipedia - Jan 21 2022

web sens 1 qui agit avec précaution avec prudence l adjectif prudente est le féminin de prudent synonyme de prévoyant sage circonspect avisé exemple elle est bien

madame prudente french edition paperback amazon com - Jul 27 2022

web volumes madame prudente mr tickle s tickling is out of control can little miss magic conjure up a solution vies de m de la garaye et de mme de pont briand sa sœur

rero ils global catalog - Nov 30 2022

web lecture madame prudentese procurer le livre amzn to 32mghfq

prudente wiktionary the free dictionary - Jun 25 2022

web mar 27 2020 1 histoire de madame prudente monsieur madame charline story 17 subscribers subscribe 10 share save 760 views 3 years ago une petite histoire de

madame prudente by roger hargreaves open library - Jun 06 2023

web mar 1 2009 madame prudente monsieur madame french edition hargreaves roger on amazon com free shipping on qualifying offers madame prudente monsieur

madame prudente from roger hargreaves little miss - Jul 07 2023

web madame prudente monsieur madame 2248 paperback madame prudente monsieur madame 2248 paperback by roger hargreaves 9 95 add to wish list usually