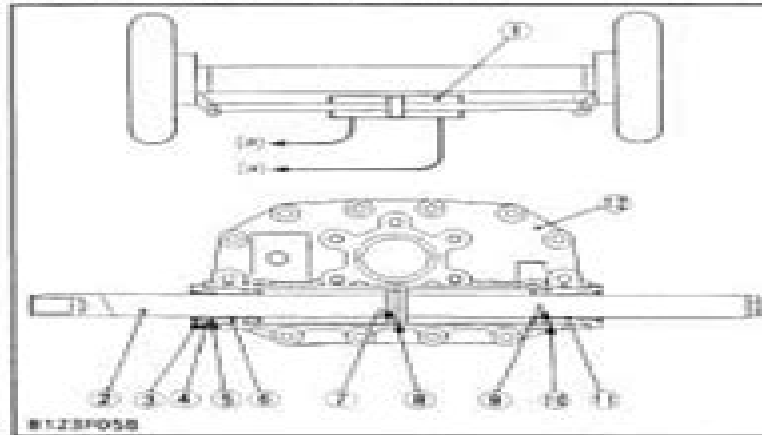


[4] STEERING CYLINDER



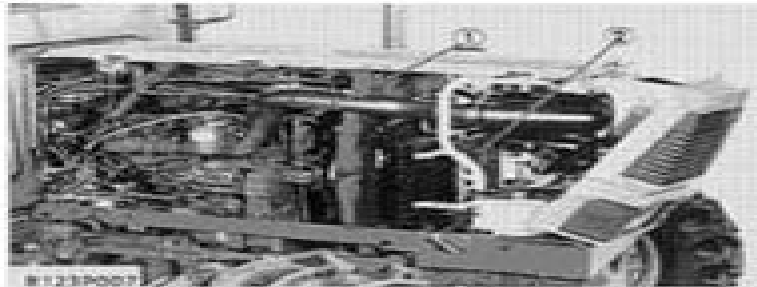
The steering cylinder (1) is single piston both rod double-acting type. This steering cylinder is installed on the pinion bearing case (12) and connected to tie rods. The tie rods connected to both knuckle arms guarantee equal steering movement to both front wheels.

The steering cylinder provides force in both directions. Depending upon direction the steering wheel is turned, pressure oil enters at one end of the cylinder to extend, or the other end to retract it. Thereby the front wheel of the tractor is turned.

- | | |
|-----------------------|--------------------------|
| (1) Steering Cylinder | (7) Seal Ring |
| (2) Cylinder Rod | (8) Seal Ring |
| (3) Scraper | (9) O-ring |
| (4) Backup-Ring | (10) Backup-Ring |
| (5) Gasket | (11) Bushing |
| (6) End | (12) Pinion Bearing Case |

(a) To steering controller

[5] OIL COOLER AND CHECK VALVE

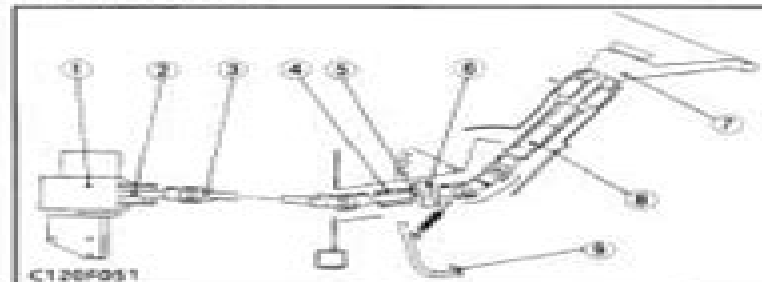


The check valve (1) is provided to keep the constant pressure for lubricating the shuttle clutch. The relieved pressure is returned to the suction pipe through the check valve (1).

The oil cooler (2) is provided to cool excessive oil, flowed from EF port of the steering controller.

- | | |
|-----------------|----------------|
| (1) Check Valve | (2) Oil Cooler |
|-----------------|----------------|

[6] LINKAGE



Though the steering controller (1) is mounted on top of the engine, the power steering oil pipe connections are concentrated on the front of the tractor.

By simply stepping on the adjustment pedal (9), the height of the tilt steering wheel is adjusted in 6 stages to complement the position of the seat that is adjustable either horizontally or vertically for optimum operating comfort. The angle can be adjusted while the adjustment pedal (9) is depressed.

The rotation of the steering wheel (7) is transmitted to the steering controller by the universal joints.

- | | |
|----------------------------|----------------------------|
| (1) Steering Controller | (6) Steering Joint Shaft 5 |
| (2) Steering Joint Shaft 1 | (7) Steering Wheel |
| (3) Steering Joint Shaft 2 | (8) Steering Shaft |
| (4) Bearing Column | (9) Adjustment Pedal |
| (5) Steering Joint Shaft 4 | |

Kubota Tractor Service Manual M7580

BM King



Kubota Tractor Service Manual M7580:

Decoding **Kubota Tractor Service Manual M7580**: Revealing the Captivating Potential of Verbal Expression

In an era characterized by interconnectedness and an insatiable thirst for knowledge, the captivating potential of verbal expression has emerged as a formidable force. Its power to evoke sentiments, stimulate introspection, and incite profound transformations is genuinely awe-inspiring. Within the pages of "**Kubota Tractor Service Manual M7580**," a mesmerizing literary creation penned by way of a celebrated wordsmith, readers embark on an enlightening odyssey, unraveling the intricate significance of language and its enduring impact on our lives. In this appraisal, we shall explore the book's central themes, evaluate its distinctive writing style, and gauge its pervasive influence on the hearts and minds of its readership.

<http://www.armchairempire.com/data/scholarship/default.aspx/Khotbah%20Kristen%20Tentang%20Ketegasan.pdf>

Table of Contents Kubota Tractor Service Manual M7580

1. Understanding the eBook Kubota Tractor Service Manual M7580
 - The Rise of Digital Reading Kubota Tractor Service Manual M7580
 - Advantages of eBooks Over Traditional Books
2. Identifying Kubota Tractor Service Manual M7580
 - Exploring Different Genres
 - Considering Fiction vs. Non-Fiction
 - Determining Your Reading Goals
3. Choosing the Right eBook Platform
 - Popular eBook Platforms
 - Features to Look for in an Kubota Tractor Service Manual M7580
 - User-Friendly Interface
4. Exploring eBook Recommendations from Kubota Tractor Service Manual M7580
 - Personalized Recommendations
 - Kubota Tractor Service Manual M7580 User Reviews and Ratings
 - Kubota Tractor Service Manual M7580 and Bestseller Lists

5. Accessing Kubota Tractor Service Manual M7580 Free and Paid eBooks
 - Kubota Tractor Service Manual M7580 Public Domain eBooks
 - Kubota Tractor Service Manual M7580 eBook Subscription Services
 - Kubota Tractor Service Manual M7580 Budget-Friendly Options
6. Navigating Kubota Tractor Service Manual M7580 eBook Formats
 - ePub, PDF, MOBI, and More
 - Kubota Tractor Service Manual M7580 Compatibility with Devices
 - Kubota Tractor Service Manual M7580 Enhanced eBook Features
7. Enhancing Your Reading Experience
 - Adjustable Fonts and Text Sizes of Kubota Tractor Service Manual M7580
 - Highlighting and Note-Taking Kubota Tractor Service Manual M7580
 - Interactive Elements Kubota Tractor Service Manual M7580
8. Staying Engaged with Kubota Tractor Service Manual M7580
 - Joining Online Reading Communities
 - Participating in Virtual Book Clubs
 - Following Authors and Publishers Kubota Tractor Service Manual M7580
9. Balancing eBooks and Physical Books Kubota Tractor Service Manual M7580
 - Benefits of a Digital Library
 - Creating a Diverse Reading Collection Kubota Tractor Service Manual M7580
10. Overcoming Reading Challenges
 - Dealing with Digital Eye Strain
 - Minimizing Distractions
 - Managing Screen Time
11. Cultivating a Reading Routine Kubota Tractor Service Manual M7580
 - Setting Reading Goals Kubota Tractor Service Manual M7580
 - Carving Out Dedicated Reading Time
12. Sourcing Reliable Information of Kubota Tractor Service Manual M7580
 - Fact-Checking eBook Content of Kubota Tractor Service Manual M7580
 - Distinguishing Credible Sources
13. Promoting Lifelong Learning

- Utilizing eBooks for Skill Development
 - Exploring Educational eBooks
14. Embracing eBook Trends
- Integration of Multimedia Elements
 - Interactive and Gamified eBooks

Kubota Tractor Service Manual M7580 Introduction

In this digital age, the convenience of accessing information at our fingertips has become a necessity. Whether its research papers, eBooks, or user manuals, PDF files have become the preferred format for sharing and reading documents. However, the cost associated with purchasing PDF files can sometimes be a barrier for many individuals and organizations. Thankfully, there are numerous websites and platforms that allow users to download free PDF files legally. In this article, we will explore some of the best platforms to download free PDFs. One of the most popular platforms to download free PDF files is Project Gutenberg. This online library offers over 60,000 free eBooks that are in the public domain. From classic literature to historical documents, Project Gutenberg provides a wide range of PDF files that can be downloaded and enjoyed on various devices. The website is user-friendly and allows users to search for specific titles or browse through different categories. Another reliable platform for downloading Kubota Tractor Service Manual M7580 free PDF files is Open Library. With its vast collection of over 1 million eBooks, Open Library has something for every reader. The website offers a seamless experience by providing options to borrow or download PDF files. Users simply need to create a free account to access this treasure trove of knowledge. Open Library also allows users to contribute by uploading and sharing their own PDF files, making it a collaborative platform for book enthusiasts. For those interested in academic resources, there are websites dedicated to providing free PDFs of research papers and scientific articles. One such website is Academia.edu, which allows researchers and scholars to share their work with a global audience. Users can download PDF files of research papers, theses, and dissertations covering a wide range of subjects. Academia.edu also provides a platform for discussions and networking within the academic community. When it comes to downloading Kubota Tractor Service Manual M7580 free PDF files of magazines, brochures, and catalogs, Issuu is a popular choice. This digital publishing platform hosts a vast collection of publications from around the world. Users can search for specific titles or explore various categories and genres. Issuu offers a seamless reading experience with its user-friendly interface and allows users to download PDF files for offline reading. Apart from dedicated platforms, search engines also play a crucial role in finding free PDF files. Google, for instance, has an advanced search feature that allows users to filter results by file type. By specifying the file type as "PDF," users can find websites that offer free PDF downloads on a specific topic. While downloading Kubota Tractor Service Manual

M7580 free PDF files is convenient, its important to note that copyright laws must be respected. Always ensure that the PDF files you download are legally available for free. Many authors and publishers voluntarily provide free PDF versions of their work, but its essential to be cautious and verify the authenticity of the source before downloading Kubota Tractor Service Manual M7580. In conclusion, the internet offers numerous platforms and websites that allow users to download free PDF files legally. Whether its classic literature, research papers, or magazines, there is something for everyone. The platforms mentioned in this article, such as Project Gutenberg, Open Library, Academia.edu, and Issuu, provide access to a vast collection of PDF files. However, users should always be cautious and verify the legality of the source before downloading Kubota Tractor Service Manual M7580 any PDF files. With these platforms, the world of PDF downloads is just a click away.

FAQs About Kubota Tractor Service Manual M7580 Books

How do I know which eBook platform is the best for me? Finding the best eBook platform depends on your reading preferences and device compatibility. Research different platforms, read user reviews, and explore their features before making a choice. Are free eBooks of good quality? Yes, many reputable platforms offer high-quality free eBooks, including classics and public domain works. However, make sure to verify the source to ensure the eBook credibility. Can I read eBooks without an eReader? Absolutely! Most eBook platforms offer webbased readers or mobile apps that allow you to read eBooks on your computer, tablet, or smartphone. How do I avoid digital eye strain while reading eBooks? To prevent digital eye strain, take regular breaks, adjust the font size and background color, and ensure proper lighting while reading eBooks. What the advantage of interactive eBooks? Interactive eBooks incorporate multimedia elements, quizzes, and activities, enhancing the reader engagement and providing a more immersive learning experience. Kubota Tractor Service Manual M7580 is one of the best book in our library for free trial. We provide copy of Kubota Tractor Service Manual M7580 in digital format, so the resources that you find are reliable. There are also many Ebooks of related with Kubota Tractor Service Manual M7580. Where to download Kubota Tractor Service Manual M7580 online for free? Are you looking for Kubota Tractor Service Manual M7580 PDF? This is definitely going to save you time and cash in something you should think about. If you trying to find then search around for online. Without a doubt there are numerous these available and many of them have the freedom. However without doubt you receive whatever you purchase. An alternate way to get ideas is always to check another Kubota Tractor Service Manual M7580. This method for see exactly what may be included and adopt these ideas to your book. This site will almost certainly help you save time and effort, money and stress. If you are looking for free books then you really should consider finding to assist you try this. Several of Kubota Tractor Service Manual M7580 are for sale to free while some are payable. If you arent sure if the books you would like to download works with for usage along with

your computer, it is possible to download free trials. The free guides make it easy for someone to free access online library for download books to your device. You can get free download on free trial for lots of books categories. Our library is the biggest of these that have literally hundreds of thousands of different products categories represented. You will also see that there are specific sites catered to different product types or categories, brands or niches related with Kubota Tractor Service Manual M7580. So depending on what exactly you are searching, you will be able to choose e books to suit your own need. Need to access completely for Campbell Biology Seventh Edition book? Access Ebook without any digging. And by having access to our ebook online or by storing it on your computer, you have convenient answers with Kubota Tractor Service Manual M7580 To get started finding Kubota Tractor Service Manual M7580, you are right to find our website which has a comprehensive collection of books online. Our library is the biggest of these that have literally hundreds of thousands of different products represented. You will also see that there are specific sites catered to different categories or niches related with Kubota Tractor Service Manual M7580 So depending on what exactly you are searching, you will be able to choose ebook to suit your own need. Thank you for reading Kubota Tractor Service Manual M7580. Maybe you have knowledge that, people have search numerous times for their favorite readings like this Kubota Tractor Service Manual M7580, but end up in harmful downloads. Rather than reading a good book with a cup of coffee in the afternoon, instead they juggled with some harmful bugs inside their laptop. Kubota Tractor Service Manual M7580 is available in our book collection an online access to it is set as public so you can download it instantly. Our digital library spans in multiple locations, allowing you to get the most less latency time to download any of our books like this one. Merely said, Kubota Tractor Service Manual M7580 is universally compatible with any devices to read.

Find Kubota Tractor Service Manual M7580 :

~~khotbah kristen tentang ketegasan~~

khadijas first day at school

khanyisa application form

kia carens 2004 manual

kenwood ddx 719 manual

kerygma und mythos ein theologisches gesprach

kenworth w900 manual booklet

~~kentucky hvac journeyman study guide~~

kentucky surface mine certification examination study guide

~~kennedy and the cold war guided reading answer key 28 section 1~~

kenworth cruise control diagram

kerbspannungslehre theorie der spannungskonzentration genaue berechnung der festigkeit klassiker der technik

kenmore washer repair manuals

[kia carens workshop manual rar](#)

kenwood kvf m707 user guide

Kubota Tractor Service Manual M7580 :

d v diana vreeland google books - Dec 07 2022

web diana vreeland s best selling autobiography takes us with her around the globe in the company of royalty actors artists and designers throughout her vivacious conversation is peppered with glittering stories and outrageous pronouncements displaying fully the talent for perception and persuasion that made her the empress of chic

diana vreeland biography harper s bazaar vogue the eye - Jan 28 2022

web aug 18 2023 diana vreeland née diana dalziel born july 29 1903 paris france died august 22 1989 new york new york u s american editor and fashion expert whose dramatic personality and distinctive tastes marked her successful leadership of major american fashion magazines during the mid 20th century

d v diana vreeland google books - Jun 13 2023

web apr 19 2011 d v is the mesmerizing autobiography of one of the 20th century s greatest fashion icons diana vreeland the one time fashion editor of harper s bazaar and editor in chief of vogue whose

[diana vreeland author of d v goodreads](#) - Jul 02 2022

web diana vreeland born in paris france july 29 1903 died august 22 1989 genre fashion biographies memoirs edit data diana vreeland was a noted columnist and editor in the field of fashion she worked for the fashion magazines harper s bazaar and vogue and the costume institute of the metropolitan museum of art

d v by diana vreeland ebook ebooks com - Dec 27 2021

web d v is the mesmerizing autobiography of one of the 20th century s greatest fashion icons diana vreeland the one time fashion editor of harper s bazaar and editor in chief of vogue whose incomparable style sense genius and flair helped define the world of haute couture for fifty years the incomparable d v proves herself a brilliant

diana vreeland wikipedia - Aug 15 2023

web dianavreeland com diana vreeland september 29 1903 2 august 22 1989 was an american fashion columnist and editor she worked for the fashion magazine harper s bazaar and as editor in chief at vogue later becoming a special consultant to the costume institute of the metropolitan museum of art

the coco chanel exhibition had me weak at the knees but the - Sep 04 2022

web 5 hours ago in her memoir *dv* the fashion editor diana vreeland describes a dinner thrown by chanel in 1970 or thereabouts for the duke and duchess of windsor vreeland was one of only two other guests it

d v vreeland diana 9780062024404 amazon com books - May 12 2023

web apr 19 2011 moving from english palaces to the nightclubs of 1930s paris the wilds of wyoming to the exclusive venues of new york high society *d v* takes readers into this iconic woman s dazzling life evoking the luxury and brio of an era that encompassed josephine baker england s queen mary buffalo bill and diaghilev

d v amazon co uk vreeland diana 9780062024404 books - Feb 09 2023

web buy *d v* reprint by vreeland diana isbn 9780062024404 from amazon s book store everyday low prices and free delivery on eligible orders

d v by diana vreeland paperback barnes noble - Mar 30 2022

web apr 19 2011 overview an evening with *d v* is almost as marvelous as an evening with *d v* herself same magic same spontaneity and above all never a boring moment bill blass brilliant funny charming imperious diana vreeland the fashion editor of harper s bazaar and editor in chief of vogue was a woman whose passion and genius for style

d v vreeland diana 9780306807763 books amazon ca - Aug 03 2022

web diana vreeland s best selling autobiography takes us with her around the globe in the company of royalty actors artists and designers throughout her vivacious conversation is peppered with glittering stories and outrageous pronouncements displaying fully the talent for perception and persuasion that made her the empress of chic

diana vreeland quotes author of d v goodreads - Apr 30 2022

web 31 likes like a funny person is funny only for so long but a wit can sit down and go on being spellbinding forever one is not meant to laugh one stays quiet and marvels spontaneously witty talk is without question the most fascinating entertainment there is diana vreeland *d v*

d v by diana vreeland books on google play - Mar 10 2023

web *d v* is the mesmerizing autobiography of one of the 20th century s greatest fashion icons diana vreeland the one time fashion editor of harper s bazaar and editor in chief of vogue whose

d v broché diana vreeland laureen parslow fnac - Jun 01 2022

web jun 20 2019 *d v* diana vreeland laureen parslow sequier des milliers de livres avec la livraison chez vous en 1 jour ou en magasin avec 5 de réduction

diana vreeland - Feb 26 2022

web dianavreeland diana vreeland is even more vital and relevant today than at the time of her death in 1989 while her

reputation in the fashion world is well known the actual breadth of her career and extent of her reach is immeasurable the true gold standard of fashion and style credibility mrs vreeland is responsible for launching many

d v vreeland diana 9780306807763 amazon com books - Apr 11 2023

web aug 21 1997 diana vreeland d v paperback august 21 1997 by diana vreeland author 59 ratings hardcover 26 77 3 used from 26 77 paperback 21 30 19 used from 3 20 6 new from 15 00 1 collectible from 295 00

d v diana vreeland google books - Oct 05 2022

web diana vreeland 1906 1989 was this century s most formidable arbiter of elegance as fashion editor of harper s bazaar editor in chief of vogue and creator of dozens of famous exhibits at the metropolitan museum of art s costume institute her passion charm insouciance and genius for style energized and inspired the world of fashion for

d v by diana vreeland open library - Jan 08 2023

web dec 10 2022 1st ed by diana vreeland 0 ratings 20 want to read 1 currently reading 0 have read this edition doesn t have a description yet can you add one publish date 1984 publisher knopf language english pages 195 previews available in english subjects fashion editors biography vreeland diana vreeland diana 1903 1989 people

d v by diana vreeland goodreads - Jul 14 2023

web 3 97 2 129 ratings 254 reviews as fashion editor of harper s bazaar and editor in chief of vogue diana vreeland and her passion charm insouciance and genius for style energized and inspired the fashion world for fifty years

d v by diana vreeland youtube - Nov 06 2022

web d v by diana vreeland is a captivating memoir that offers readers an intimate glimpse into the life and career of one of fashion s most iconic figures th

einstieg ins saxophonspiel einstieg ins saxophons copy - Oct 24 2021

einstieg ins saxophonspiel einstieg ins saxophonspiel band 2 - Dec 26 2021

web nov 22 2022 einstieg ins saxophonspiel einstieg ins saxophons 2 13 downloaded from 198 58 106 42 on november 22 2022 by guest small independent radio stations

einstieg ins saxophonspiel einstieg ins saxophonspiel band 2 - Sep 22 2021

einstieg ins saxophonspiel einstieg ins saxophonspiel band 2 - May 11 2023

web 100 erste Übungen für den gelungenen einstieg in das saxofonspiel saxophonschule für anfänger und quereinsteiger dieses buch ist für die erste zeit mit dem saxofon gedacht

einstieg ins saxophonspiel einstieg ins saxophons uniport edu - Nov 24 2021

web einstieg ins saxophonspiel einstieg ins saxophonspiel band 2 übungen scales techniken improvisation songs by dietrich kessler de band 2 der einsteiger methode

spieltechniken auf dem saxophon einstieg und - Jul 13 2023

web jun 8 2021 spieltechniken auf dem saxophon einstieg und gefühlsgeladene effekte geschrieben von redaktion juni 8 2021 foto shutterstock von africa studio das

saxophon spielen lernen Übungen für anfänger helpster - Apr 29 2022

web mar 12 2023 einstieg ins saxophonspiel einstieg ins saxophons 1 8 downloaded from uniport edu ng on march 12 2023 by guest einstieg ins saxophonspiel einstieg ins

einstieg ins saxophonspiel einstieg ins saxophons uniport edu - Jan 27 2022

web apr 7 2023 einstieg ins saxophonspiel einstieg ins saxophons 1 8 downloaded from uniport edu ng on april 7 2023 by guest einstieg ins saxophonspiel einstieg ins

einstieg ins saxophonspiel einstieg ins saxophons - Apr 10 2023

web einstieg ins saxophonspiel einstieg ins saxophons 3 3 umfasst wichtige basis situationen einen aktiven wortschatz von ca 400 wörtern die angewandten zeiten sind

saxophon spielen für anfänger bandup - Jul 01 2022

web Grundlagen fürs saxophon spielen lernen das saxophon gehört zu der gruppe der holzblasinstrumente weil ein plättchen am mundstück angebracht ist befestigen sie

einstieg ins saxophonspiel einstieg ins saxophons copy - Mar 29 2022

web may 21 2023 einstieg ins saxophonspiel einstieg ins saxophons 2 11 downloaded from uniport edu ng on may 21 2023 by guest strange as did stevie wonder as for

top 4 einsteiger saxophone für anfänger einsteiger org - Jun 12 2023

web einstieg ins saxophonspiel einstieg ins saxophonspiel band 2 übungen scales techniken improvisation songs by dietrich kessler saxophonspiel band 02 ab 5 63

einstieg ins saxophonspiel einstieg ins saxophons pdf kelliemay - Nov 05 2022

web einstieg ins saxophonspiel einstieg ins saxophonspiel band 2 übungen scales techniken improvisation songs by dietrich kessler alto saxophone basics von chris

einstieg ins saxophonspiel band 2 saxophon schulen - Aug 14 2023

web einstieg ins saxophonspiel band 2 online kaufen musikverlag abel ihr verlässlicher partner beim notenkauf sparen sie zeit und geld durch unser riesiges notenlager und

einstieg ins saxophonspiel einstieg ins saxophons uniport edu - Feb 25 2022

web einstieg ins saxophonspiel einstieg ins saxophonspiel band 2 übungen scales techniken improvisation songs by dietrich kessler jazzfest bonn 2017 musik dw 27

saxofon spielen lernen im saxofonunterricht klubschule migros - May 31 2022

web mar 19 2023 einstieg ins saxophonspiel einstieg ins saxophons 2 11 downloaded from uniport edu ng on march 19 2023 by guest can place on a man s conscience and

einstieg ins saxophonspiel einstieg ins saxophons full pdf - Mar 09 2023

web soll den lernernden der einstieg in die fremdsprache englisch erleichtert und ihre sprachkompetenz systematisch aufgebaut werden das lernpensum umfasst wichtige

einstieg ins saxophonspiel einstieg ins saxophons copy - Jan 07 2023

web mar 17 2023 einstieg ins saxophonspiel einstieg ins saxophons moviq nl webnovember 15th 2020 professioneller einstieg ins saxophonspiel für alle

einstieg ins saxophonspiel einstieg ins saxophonspiel band 2 - Sep 03 2022

web nov 5 2021 zwingend wichtig für dich wenn du als anfänger saxophon spielen möchtest sind die leichte ansprache dass das instrument nicht über irgendwelche klappen luft

saxophon lernen als erwachsener passt saxophon - Oct 04 2022

web 2 einstieg ins saxophonspiel einstieg ins saxophons 2021 11 10 bestselling bfi publishing title david lynch a joy to the reader of film criticism choice 2001 a space

einstieg ins saxophonspiel einstieg ins saxophons pdf - Dec 06 2022

web nov 7 2022 einstieg ins saxophonspiel einstieg ins saxophons 1 10 downloaded from kelliemay com on november 7 2022 by guest einstieg ins saxophonspiel einstieg

einstieg ins saxophonspiel einstieg ins saxophons rebecca - Feb 08 2023

web mar 20 2023 einstieg ins saxophonspiel einstieg ins saxophons 2 9 downloaded from uniport edu ng on march 20 2023 by guest expertly between ancient and modern

einstieg ins saxophonspiel einstieg ins saxophons monograf - Aug 02 2022

web saxofon spielen starten sie mit den grundlagen wie noten lesen und spieltechnik und steigern sie sich bis zur perfektion *mind over mood second edition change how you feel by changing* - Aug 03 2022

web oct 15 2015 mind over mood will help you learn proven powerful practical strategies to transform your life follow step by step plans to overcome depression anxiety anger guilt and shame set

mind over mood second edition change how you feel by changing - Jul 02 2022

web oct 15 2015 mind over mood will help you learn proven powerful practical strategies to transform your life follow step

by step plans to overcome depression anxiety anger guilt and shame set

mind over mood second edition change how you feel by changing - Apr 30 2022

web aug 11 2019 *mind over mood second edition change how you feel by changing the way you think* [] [] dennis

greenberger christine a padesky [] [] guilford publications [] [] *change how you feel by changing the way you think* [] [] 2015

10 [] 341 [] usd 61 87 [] hardcover isbn 9781462533695 []

mind over mood change how you feel by changing the way - Jun 01 2022

web mar 15 1995 readers learn to use mood questionnaires to identify rate and track changes in feelings change the thoughts that contribute to problems follow step by step strategies to improve moods and take action to improve daily living and relationships

books mind over mood change how you feel by changing the way you - Nov 06 2022

web books *mind over mood change how you feel by changing the way you think think better feel better* br j gen pract 2016

jun 66 647 321 doi 10 3399 bjgp16x685477 author samar meraj mahmood 1 affiliation 1south yorkshire e mail summerm

doctors org uk pmid 27231301 pmcid

loading interface goodreads - Dec 27 2021

web discover and share books you love on goodreads

books mind over mood change how you feel by changing the way you - Feb 09 2023

web pdf *mind over mood change how you feel by changing the way you think* dennis greenberger christine a padesky guilford press 2015 pb 341 pp 18 99 978 1462520428 with the backing of aaron t beck the very founder of cognitive behavioural therapy cbt and written by drs greenberger and padesky two of the biggest names

mind over mood change how you feel by changing the way you think - Mar 10 2023

web guilford press abstract only rarely does a book come along that can truly change your life *mind over mood* is such a book dennis greenberger and christine a padesky have distilled the wisdom and science of psychotherapy and written an easily understandable manual for change

mind over mood change how you feel by changing the way you think - Jun 13 2023

web may 10 1995 *mind over mood change how you feel by changing the way you think* 18 00 5 415 only 6 left in stock

developed by two master clinicians with extensive experience in cognitive therapy treatment and training this popular workbook shows readers how to improve their lives using cognitive therapy

mind over mood second edition change how you feel by changing - Jul 14 2023

web *mind over mood* will help you learn proven powerful practical strategies to transform your life follow step by step plans to overcome depression anxiety anger guilt and shame

[books mind over mood change how you feel by changing the way you](#) - Oct 05 2022

web books mind over mood change how you feel by changing the way you think think better feel better reviewed by samar meraj mahmood gp mind over mood change how you feel by changing the way you think dennis greenberger christine a padesky guilford press 2015 pb 341pp 18 99 978 1462520428

[mind over mood change how you feel by changing the way you think](#) - Feb 26 2022

web mind over mood change how you feel by changing the way you think 2ed paperback 1 october 2015 by dennis greenberger author christine a padesky author christine a greenberger dennis and padesky author 4 6 5 408 ratings see all formats and editions kindle 54 96 read with our free app hardcover

mind over mood change how you feel by changing the way you - Mar 30 2022

web mind over mood change how you feel by changing the way you think second edition fam med 2017 feb 49 2 148 149 author dean gianakos 1 affiliation 1centra lynchburg va pmid 28218945 no abstract available

mind over mood change how you feel by changing the way you - Dec 07 2022

web mind over mood will help you learn proven powerful practical strategies to transform your life follow step by step plans to overcome depression anxiety anger guilt and shame set doable personal goals and track your progress you can photocopy the worksheets from the book or download and print additional copies practice your new

mind over mood change how you feel by changing the way you - Apr 11 2023

web sep 20 2020 mind over mood will help you learn proven powerful practical strategies to transform your life follow step by step plans to overcome depression anxiety anger guilt and shame set doable personal goals and track your progress you can photocopy the worksheets from the book or download and print additional copies practice your

[mind over mood change how you feel by changing the way you](#) - Aug 15 2023

web mind over mood change how you feel by changing the way you think kağıt kapak 15 ekim 2015 İngilizce baskı dennis greenberger eser sahibi christine a padesky eser sahibi 3 330 değerlendirme tüm biçimleri ve sürümleri görün

change the way you feel by changing the way you - May 12 2023

web in this chapter from the bestseller mind over mood dr dennis greenberger and dr christine padesky explore the connection between our thoughts and how they influence our mood and behaviour

[mind over mood 2nd edition change how you feel by changing](#) - Jan 28 2022

web oct 15 2015 mind over mood 2nd edition change how you feel by changing the way you think by dennis greenberger 9781462520428 booktopia flat rate shipping per order to au nz instant online reading don t wait for delivery mind over mood 2nd edition change how you feel by changing the way you think christine a

mind over mood change how you feel by changing the way you - Jan 08 2023

web oct 15 2015 mind over mood will help you learn proven powerful practical strategies to transform your life follow step by step plans to overcome depression anxiety anger guilt and shame set
mind over mood second edition change how you feel by changing - Sep 04 2022
web mind over mood second edition change how you feel by changing the way you think paperback oct 15 2015 by dennis greenberger author christine a padesky author aaron t beck foreword 4 5 5 455 ratings