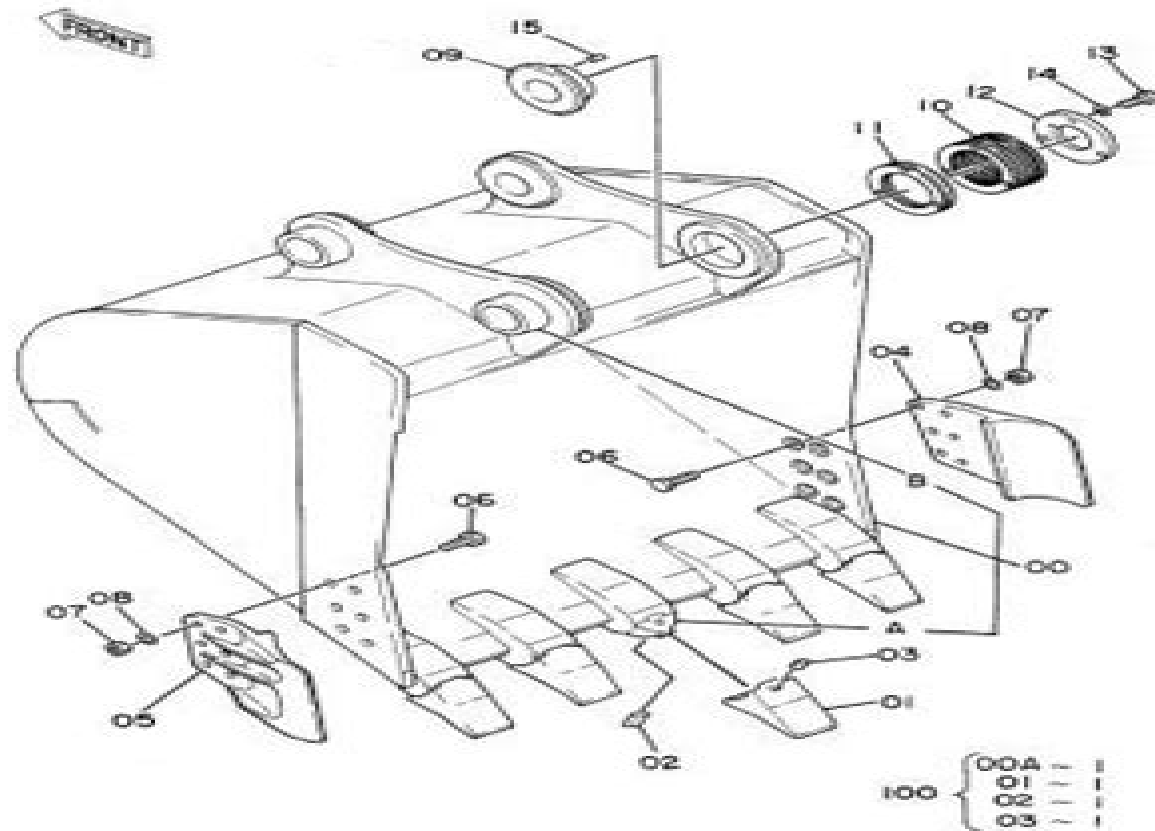


バケツ 1.0
Bucket 1.0



Hitachi Ex220 Ex220lc Hydraulic Excavator Parts List

Caterpillar Inc. Peoria, Ill..

Hitachi Ex220 Ex220lc Hydraulic Excavator Parts List:
Parts Manual Caterpillar Inc. Peoria, Ill.,1996

The Engaging World of Kindle Books: A Comprehensive Guide Revealing the Advantages of E-book Books: A Realm of Ease and Versatility E-book books, with their inherent portability and ease of availability, have freed readers from the constraints of physical books. Gone are the days of lugging bulky novels or carefully searching for particular titles in bookstores. Kindle devices, sleek and lightweight, seamlessly store an extensive library of books, allowing readers to immerse in their favorite reads whenever, anywhere. Whether commuting on a busy train, lounging on a sunny beach, or simply cozying up in bed, Kindle books provide an unparalleled level of convenience. A Reading Universe Unfolded: Discovering the Wide Array of E-book Hitachi Ex220 Ex220lc Hydraulic Excavator Parts List Hitachi Ex220 Ex220lc Hydraulic Excavator Parts List The E-book Shop, a virtual treasure trove of bookish gems, boasts an extensive collection of books spanning varied genres, catering to every readers taste and preference. From captivating fiction and thought-provoking non-fiction to classic classics and modern bestsellers, the E-book Shop offers an exceptional variety of titles to explore. Whether seeking escape through engrossing tales of fantasy and exploration, diving into the depths of historical narratives, or expanding ones understanding with insightful works of science and philosophical, the Kindle Store provides a gateway to a literary world brimming with limitless possibilities. A Transformative Factor in the Literary Scene: The Enduring Impact of Kindle Books Hitachi Ex220 Ex220lc Hydraulic Excavator Parts List The advent of Kindle books has unquestionably reshaped the literary scene, introducing a model shift in the way books are released, disseminated, and consumed. Traditional publication houses have embraced the digital revolution, adapting their strategies to accommodate the growing need for e-books. This has led to a rise in the availability of Kindle titles, ensuring that readers have entry to a wide array of literary works at their fingertips. Moreover, Kindle books have equalized access to books, breaking down geographical limits and providing readers worldwide with equal opportunities to engage with the written word. Irrespective of their location or socioeconomic background, individuals can now engross themselves in the intriguing world of literature, fostering a global community of readers. Conclusion: Embracing the Kindle Experience Hitachi Ex220 Ex220lc Hydraulic Excavator Parts List Kindle books Hitachi Ex220 Ex220lc Hydraulic Excavator Parts List, with their inherent ease, flexibility, and vast array of titles, have undoubtedly transformed the way we encounter literature. They offer readers the liberty to explore the boundless realm of written expression, anytime, everywhere. As we continue to navigate the ever-evolving online landscape, Kindle books stand as testament to the persistent power of storytelling, ensuring that the joy of reading remains reachable to all.

http://www.armchairempire.com/results/virtual-library/Download_PDFS/Hyster%20Hand%20Pallet%20Jack%20Manual.pdf

Table of Contents Hitachi Ex220 Ex220lc Hydraulic Excavator Parts List

1. Understanding the eBook Hitachi Ex220 Ex220lc Hydraulic Excavator Parts List
 - The Rise of Digital Reading Hitachi Ex220 Ex220lc Hydraulic Excavator Parts List
 - Advantages of eBooks Over Traditional Books
2. Identifying Hitachi Ex220 Ex220lc Hydraulic Excavator Parts List
 - Exploring Different Genres
 - Considering Fiction vs. Non-Fiction
 - Determining Your Reading Goals
3. Choosing the Right eBook Platform
 - Popular eBook Platforms
 - Features to Look for in an Hitachi Ex220 Ex220lc Hydraulic Excavator Parts List
 - User-Friendly Interface
4. Exploring eBook Recommendations from Hitachi Ex220 Ex220lc Hydraulic Excavator Parts List
 - Personalized Recommendations
 - Hitachi Ex220 Ex220lc Hydraulic Excavator Parts List User Reviews and Ratings
 - Hitachi Ex220 Ex220lc Hydraulic Excavator Parts List and Bestseller Lists
5. Accessing Hitachi Ex220 Ex220lc Hydraulic Excavator Parts List Free and Paid eBooks
 - Hitachi Ex220 Ex220lc Hydraulic Excavator Parts List Public Domain eBooks
 - Hitachi Ex220 Ex220lc Hydraulic Excavator Parts List eBook Subscription Services
 - Hitachi Ex220 Ex220lc Hydraulic Excavator Parts List Budget-Friendly Options
6. Navigating Hitachi Ex220 Ex220lc Hydraulic Excavator Parts List eBook Formats
 - ePub, PDF, MOBI, and More
 - Hitachi Ex220 Ex220lc Hydraulic Excavator Parts List Compatibility with Devices
 - Hitachi Ex220 Ex220lc Hydraulic Excavator Parts List Enhanced eBook Features
7. Enhancing Your Reading Experience
 - Adjustable Fonts and Text Sizes of Hitachi Ex220 Ex220lc Hydraulic Excavator Parts List
 - Highlighting and Note-Taking Hitachi Ex220 Ex220lc Hydraulic Excavator Parts List
 - Interactive Elements Hitachi Ex220 Ex220lc Hydraulic Excavator Parts List
8. Staying Engaged with Hitachi Ex220 Ex220lc Hydraulic Excavator Parts List

- Joining Online Reading Communities
 - Participating in Virtual Book Clubs
 - Following Authors and Publishers Hitachi Ex220 Ex220lc Hydraulic Excavator Parts List
9. Balancing eBooks and Physical Books Hitachi Ex220 Ex220lc Hydraulic Excavator Parts List
- Benefits of a Digital Library
 - Creating a Diverse Reading Collection Hitachi Ex220 Ex220lc Hydraulic Excavator Parts List
10. Overcoming Reading Challenges
- Dealing with Digital Eye Strain
 - Minimizing Distractions
 - Managing Screen Time
11. Cultivating a Reading Routine Hitachi Ex220 Ex220lc Hydraulic Excavator Parts List
- Setting Reading Goals Hitachi Ex220 Ex220lc Hydraulic Excavator Parts List
 - Carving Out Dedicated Reading Time
12. Sourcing Reliable Information of Hitachi Ex220 Ex220lc Hydraulic Excavator Parts List
- Fact-Checking eBook Content of Hitachi Ex220 Ex220lc Hydraulic Excavator Parts List
 - Distinguishing Credible Sources
13. Promoting Lifelong Learning
- Utilizing eBooks for Skill Development
 - Exploring Educational eBooks
14. Embracing eBook Trends
- Integration of Multimedia Elements
 - Interactive and Gamified eBooks

Hitachi Ex220 Ex220lc Hydraulic Excavator Parts List Introduction

In the digital age, access to information has become easier than ever before. The ability to download Hitachi Ex220 Ex220lc Hydraulic Excavator Parts List has revolutionized the way we consume written content. Whether you are a student looking for course material, an avid reader searching for your next favorite book, or a professional seeking research papers, the option to download Hitachi Ex220 Ex220lc Hydraulic Excavator Parts List has opened up a world of possibilities. Downloading Hitachi Ex220 Ex220lc Hydraulic Excavator Parts List provides numerous advantages over physical copies of books and documents. Firstly, it is incredibly convenient. Gone are the days of carrying around heavy textbooks or bulky

Hitachi Ex220 Ex220lc Hydraulic Excavator Parts List

folders filled with papers. With the click of a button, you can gain immediate access to valuable resources on any device. This convenience allows for efficient studying, researching, and reading on the go. Moreover, the cost-effective nature of downloading Hitachi Ex220 Ex220lc Hydraulic Excavator Parts List has democratized knowledge. Traditional books and academic journals can be expensive, making it difficult for individuals with limited financial resources to access information. By offering free PDF downloads, publishers and authors are enabling a wider audience to benefit from their work. This inclusivity promotes equal opportunities for learning and personal growth. There are numerous websites and platforms where individuals can download Hitachi Ex220 Ex220lc Hydraulic Excavator Parts List. These websites range from academic databases offering research papers and journals to online libraries with an expansive collection of books from various genres. Many authors and publishers also upload their work to specific websites, granting readers access to their content without any charge. These platforms not only provide access to existing literature but also serve as an excellent platform for undiscovered authors to share their work with the world. However, it is essential to be cautious while downloading Hitachi Ex220 Ex220lc Hydraulic Excavator Parts List. Some websites may offer pirated or illegally obtained copies of copyrighted material. Engaging in such activities not only violates copyright laws but also undermines the efforts of authors, publishers, and researchers. To ensure ethical downloading, it is advisable to utilize reputable websites that prioritize the legal distribution of content. When downloading Hitachi Ex220 Ex220lc Hydraulic Excavator Parts List, users should also consider the potential security risks associated with online platforms. Malicious actors may exploit vulnerabilities in unprotected websites to distribute malware or steal personal information. To protect themselves, individuals should ensure their devices have reliable antivirus software installed and validate the legitimacy of the websites they are downloading from. In conclusion, the ability to download Hitachi Ex220 Ex220lc Hydraulic Excavator Parts List has transformed the way we access information. With the convenience, cost-effectiveness, and accessibility it offers, free PDF downloads have become a popular choice for students, researchers, and book lovers worldwide. However, it is crucial to engage in ethical downloading practices and prioritize personal security when utilizing online platforms. By doing so, individuals can make the most of the vast array of free PDF resources available and embark on a journey of continuous learning and intellectual growth.

FAQs About Hitachi Ex220 Ex220lc Hydraulic Excavator Parts List Books

What is a Hitachi Ex220 Ex220lc Hydraulic Excavator Parts List PDF? A PDF (Portable Document Format) is a file format developed by Adobe that preserves the layout and formatting of a document, regardless of the software, hardware, or operating system used to view or print it. **How do I create a Hitachi Ex220 Ex220lc Hydraulic Excavator Parts List PDF?** There are several ways to create a PDF: Use software like Adobe Acrobat, Microsoft Word, or Google Docs, which often

have built-in PDF creation tools. Print to PDF: Many applications and operating systems have a "Print to PDF" option that allows you to save a document as a PDF file instead of printing it on paper. Online converters: There are various online tools that can convert different file types to PDF. **How do I edit a Hitachi Ex220 Ex220lc Hydraulic Excavator Parts List PDF?** Editing a PDF can be done with software like Adobe Acrobat, which allows direct editing of text, images, and other elements within the PDF. Some free tools, like PDFescape or Smallpdf, also offer basic editing capabilities. **How do I convert a Hitachi Ex220 Ex220lc Hydraulic Excavator Parts List PDF to another file format?** There are multiple ways to convert a PDF to another format: Use online converters like Smallpdf, Zamzar, or Adobe Acrobats export feature to convert PDFs to formats like Word, Excel, JPEG, etc. Software like Adobe Acrobat, Microsoft Word, or other PDF editors may have options to export or save PDFs in different formats. **How do I password-protect a Hitachi Ex220 Ex220lc Hydraulic Excavator Parts List PDF?** Most PDF editing software allows you to add password protection. In Adobe Acrobat, for instance, you can go to "File" -> "Properties" -> "Security" to set a password to restrict access or editing capabilities. Are there any free alternatives to Adobe Acrobat for working with PDFs? Yes, there are many free alternatives for working with PDFs, such as: LibreOffice: Offers PDF editing features. PDFsam: Allows splitting, merging, and editing PDFs. Foxit Reader: Provides basic PDF viewing and editing capabilities. How do I compress a PDF file? You can use online tools like Smallpdf, ILovePDF, or desktop software like Adobe Acrobat to compress PDF files without significant quality loss. Compression reduces the file size, making it easier to share and download. Can I fill out forms in a PDF file? Yes, most PDF viewers/editors like Adobe Acrobat, Preview (on Mac), or various online tools allow you to fill out forms in PDF files by selecting text fields and entering information. Are there any restrictions when working with PDFs? Some PDFs might have restrictions set by their creator, such as password protection, editing restrictions, or print restrictions. Breaking these restrictions might require specific software or tools, which may or may not be legal depending on the circumstances and local laws.

Find Hitachi Ex220 Ex220lc Hydraulic Excavator Parts List :

hyster hand pallet jack manual

hyundai wheel loader hl770 9 operating manual

hyundai ix35 users guide

hyundai i45 operations manual

hysys user guide

hyster 80 manual

hyundai tucson service repair manuals

hyundai 2015 xg350 manual

[hyundai 210 service manual](#)

[hyundai sonata 1998 workshop manual](#)

hyundai sonata 2015 oem factory electronic troubleshooting manual

[hyundai veracruz 2007-2011 service repair manual](#)

hyundai elantra 2015 service manual repair

[hyundai wheel loader hl740 3 factory service repair workshop manual instant](#)

[hyundai greur repair manual](#)

Hitachi Ex220 Ex220lc Hydraulic Excavator Parts List :

la iluminada house martin gomez arquitectos archdaily - Oct 05 2023

web jul 16 2019 concrete projects built projects selected projects residential architecture houses la barra uruguay

published on july 16 2019 cite *la iluminada house martin gomez arquitectos casa la*

la iluminada tv series 1989 imdb - Apr 30 2023

web *la iluminada with flor núñez héctor mayerston bárbara teyde esperanza acosta*

[la yegros iluminada youtube](#) - May 20 2022

web 816k views 8 years ago buy viene de mi amazon com viene de mi la

[las iluminadas con pamela diaz morandé con compañía youtube](#) - Apr 18 2022

web aug 28 2015 revive la divertida rutina de las iluminadas junto a pamela diaz en morandé con compañía si te gusto el

vídeo dele like suscríbete y comparte papá a la de

la cueva iluminada vega alta facebook - Mar 30 2023

web *la cueva iluminada vega alta* 19 092 likes 1 talking about this 2 361 were here desde hace más de 20 años miles de luces

decoran una cueva ubicada en el pueblo de vega alta ven y disfruta de la cueva iluminada vega alta

[la increíble historia de la iluminada de candelaria](#) - Jun 20 2022

web may 29 2017 llevó con humildad hasta el final de sus días en 1983 aquel estigmatizante sobrenombre de la iluminada

que según la tradición se lo pusieron los niños en catequesis cuando siendo joven

karma la iluminada league of legends - Jun 01 2023

web karma invoca un escudo protector que absorbe el daño recibido y aumenta la velocidad de movimiento del aliado

protegido bonificación de mantra el objetivo irradia energía lo que refuerza el escudo inicial y aplica inspiración a los

campeones aliados cercanos r mantra karma potencia su siguiente habilidad para conseguir un efecto adicional

[halloween por qué las calabazas iluminadas se convirtieron en el](#) - Feb 26 2023

web oct 31 2023 en la cáscara de las calabazas se recortan los ojos y la boca por los que sale la luz en esta época del año en especial el 31 de octubre es difícil no toparse con la calabaza de halloween

mariú martínez wikipedia la enciclopedia libre - Aug 03 2023

web maría eugenia martínez buenos aires 13 de agosto de 1983 conocida como mariú martínez es una actriz argentina de teatro y televisión se dio a conocer por haber participado en el programa inútiles y subversivos de televisión nacional de chile

iluminado iluminada diccionario de la lengua española - Nov 25 2022

web iluminado da del part de iluminar 1 adj alumbrado seguidor de ciertas doctrinas del siglo xvi apl a pers u m c s 2 adj seguidor de una secta secreta fundada en el siglo xviii considerada herética que propugnaba un sistema moral contrario al orden entonces existente en religión propiedad y familia e imponía a sus

la cabra iluminada san miguel de allende coffee tea happycow - Mar 18 2022

web mar 25 2023 la cabra iluminada san miguel de allende coffee tea happycow reviews of vegan friendly coffee tea shop la cabra iluminada in san miguel de allende mexico me encanto la decoración del lugar la amabilidad de las personas que atienden el café riquisimoooo y lo que le sigue pedi un capuchino y los

las iluminadas wikia wikimcc fandom - Jan 28 2023

web las iluminadas wikia wikimcc fandom morande wiki 103 páginas en mcc personajes duo las iluminadas editar las iluminadas son un grupo de evangélicas llamadas eva y angelica que detendrán a todas costa el programa de kike morande son interpretados por maría josé quiroz y mariú martínez apariencia

la nueva aplicación de las iluminadas morandé con compañía - Sep 23 2022

web apr 20 2016 si te gusto este vídeo dele like suscríbete y comparte no te pierdas morandé con compañía por mega viernes y sábado 22 30 hrs visita goo gl n6

iluminada usa los angeles ca facebook - Jul 02 2023

web shop iluminada usa los angeles california 850 likes 13 talking about this 2 were here bayongciaga official authorized reseller since 2017 shop directly thru our social media pages we sh iluminada usa los angeles ca

la iluminada season 1 imdb - Sep 04 2023

web be the first one to add a plot add image s1 ep3 1989 episode 1 3 rate know what this is about be the first one to add a plot season 1

la iluminada 9 photos dwell - Feb 14 2022

web from martin gomez this project consists of two independent houses one for the use of the owners and another for rent both volumes of concrete with formwork of brushed pine boards articulate a patio with a grill space and swimming pool for the exclusive use of the owners the rental house has a rooftop pool with a place to sit and a great view

con el iluminado puigdemont hasta el 27 de noviembre puede - Oct 25 2022

web 1 day ago con el iluminado puigdemont hasta el 27 de noviembre puede pasar cualquier cosa euprepio padula 05 11 23 00 05 alberto núñez feijóo amnistía carles puigdemont españa gobierno de españa el expresidente de la generalitat carles puigdemont c ha convocado este jueves a la cúpula de jxcat en bruselas Bélgica

iluminada ver la serie online completas en español justwatch - Aug 23 2022

web iluminada está en el puesto 3818 en los rankings diarios de streaming de justwatch hoy la serie de tv subió 5 puestos en los rankings desde ayer en españa en este momento es más popular que super natural pero menos

iluminada spanish to english translation spanishdictionary com - Jul 22 2022

web una habitación bien iluminada es clave para trabajar cómodo a well lit room is key to working comfortably b lighted ponga la planta en un sitio iluminado put the plant in a lighted place this means that the noun can be masculine or feminine depending on the gender of person it refers to e g el doctor la doctora

cuatro escenas religiosas iluminadas rodearán el gran árbol de - Dec 27 2022

web 6 hours ago los cuatro paneles tienen cada uno 2 4 metros de altura por 4 9 de ancho y se colocarán coincidiendo con los puntos cardinales cerrando la base del árbol de navidad por el norte el sur el

fiches de révision philosophie bac stl studyrama - Sep 04 2022

web la philosophie est une épreuve souvent redoutée par les candidats au bac stl or avec une bonne méthodologie et un socle solide de connaissances que nous vous proposons grâce à nos fiches la

philosophie terminales stt sti stl sms book - Jul 02 2022

web world watch 2e édition est une collection spécifiquement conçue pour l'apprentissage de l'anglais par les élèves des classes de sciences et technologies de la gestion stg sciences et technologies industrielles sti sciences médico sociales sms et sciences et technologies de laboratoire stl

philosophie tles séries technologiques 2006 manuel élève - Mar 10 2023

web un manuel conçu spécialement pour les séries technologiques des textes de référence suivis d'aides systématiques à la lecture un ensemble de documents permettant de confronter la philosophie au monde contemporain des démarches méthodologiques clairement identifiées et accompagnées d'exercices une base de données

cours de philosophie terminale stl bac 2023 super bac - Dec 07 2022

web conformes à la réforme du bac technologique ils regroupent l'ensemble des notions de philosophie étudiées durant l'année de terminale stl un excellent moyen de préparer l'épreuve terminale de philosophie et viser une mention au bac stl 2023

philosophie term stt sti stl sms label emmaüs - Feb 09 2023

web philosophie term stt sti stl sms en saisissant votre code postal les produits seront triés du plus près au plus loin de chez vous saisissez votre code postal se souvenir de mon code postal pour les autres visites enregistrer localisez moi romans de gare romans historiques textes médiévaux erotisme

textes philosophiques terminales stt sti sms stl livre de l élève - Apr 11 2023

web textes philosophiques terminales stt sti sms stl livre de l élève de collectif achats de livres à petits prix livraison gratuite en france 1 million de livres en stock recyclivre rachète et collecte gratuitement vos livres dans toute la france

textes philosophiques terminales stt sti stl sms rc spectrallabs - Apr 30 2022

web le monde de l éducation philosophie traité de philosophie le grand livre des abeilles livres du mois juil aout 1999 7 8 livres hebdo terminales stt sti stl sms livres du mois juillet aout 2001 bibliographie nationale française deleuze and guattari s anti oedipus modern art 19th and 20th centuries

philosophie terminales stt sti stl sms cdiscount librairie - Jan 08 2023

web cdiscount librairie découvrez notre offre philosophie terminales stt sti stl sms livraison gratuite à partir de 25 paiement sécurisé 4x possible retour simple et rapide

cours de philosophie terminale stmg bac 2023 super bac - Jun 01 2022

web conformes à la réforme du bac technologique nos cours rassemblent la plupart des notions étudiées en classe de philosophie en terminale stmg nos leçons sont rédigées par des professeurs certifiés de quoi réviser parfaitement l épreuve terminale de philosophie et espérer réussir au bac stmg 2023 sélectionne un chapitre et

philosophie term stt sti stl sms poche collectif achat livre - Sep 16 2023

web philosophie term stt sti stl sms collectif nathan des milliers de livres avec la livraison chez vous en 1 jour ou en magasin avec 5 de réduction

philosophie terminales stg sti stl sms cultura - Aug 15 2023

web philosophie terminales stg sti stl sms christine courme thubert alain marchal 2210442257 manuels scolaires cultura philosophie terminales stg sti stl sms par christine courme thubert alain marchal aux éditions magnard un manuel organisé en deux parties partie 1 textes et problématiques

philosophie tles stg sti stl sms manuel élève decitre - Jul 14 2023

web apr 30 2006 philosophie tles stg sti stl sms manuel élève de alain marchal Éditeur magnard livraison gratuite à 0 01 dès 35 d achat librairie decitre votre prochain livre est là

livrenpoche philosophie terminales stt sti stl sms - Jun 13 2023

web acheter le livre d occasion philosophie terminales stt sti stl sms gérard chomienne expédié sous 24h livraison gratuite vente de philosophie terminales stt sti stl sms pas cher

[philosophie terminales stt sti stl sms 2022 evt jyrankola](#) - Feb 26 2022

[web philosophie terminales stt sti stl sms dictionnaire pratique de l enseignement en france livres du mois juil aout 1999 7 8](#)

[graduate programs in the humanities arts social sciences 2015 grad 2 the official catholic directory for the year of our](#)

[cours et programme de philosophie de tle stl annabac](#) - Aug 03 2022

[web mathématiques tronc commun grand oral physique chimie mathématiques spécialité révisez vos cours de philosophie de tle stl avec annabac fiches de cours annales corrigées exercices et vidéos programmes officiels de l Éducation nationale](#)

philosophie terminales stt sti sms stl ele cdiscount - Oct 05 2022

[web cdiscount librairie découvrez notre offre philosophie terminales stt sti sms stl ele livraison gratuite à partir de 25 paiement sécurisé 4x possible retour simple et rapide](#)

philosophie stt sti stl sms annales bac sujets co 2023 - Mar 30 2022

[web philosophie stt sti stl sms livres du mois juillet aout 2001 philosophie terminales stt sti stl sms livres du mois juil aout](#)

[1999 7 8 philosophie terminales stt sti stl sms livres de france philosophie stt sti stl sms philosophie stt sti stl sms annales](#)

[bac sujets co downloaded from](#)

philosophie terminales stt sti stl sms by collectif - Nov 06 2022

[web livre philosophie terminales stt sti stl sms d occasion par gérard chomienne exp dition sous 24h livraison gratuite vente de philosophie terminales stt sti stl sms pas cher](#)

[philosophie terminales stt sti stl sms livre de l élève fnac](#) - Oct 17 2023

[web terminales stt sti stl sms livre de l élève philosophie patrice rosenberg alain sage nathan des milliers de livres avec la livraison chez vous en 1 jour ou en magasin avec 5 de réduction](#)

[philosophie terminale stt sti stl sms by rosenberg](#) - May 12 2023

[web livre livre philosophie rappel de cours terminal stt sti stl sms de denis huisman mander et acheter le livre philosophie rappel de cours terminal stt sti stl sms en livraison rapide et aussi des extraits et des avis et critiques](#)

richard vedon photographs 1946 2004 ciltli kapak - Mar 17 2023

[web richard vedon photographs 1946 2004 vedon richard amazon com tr kitap Çerez tercihlerinizi seçin Çerez](#)

[bildirimimizde ayrıntılı şekilde açıklandığı üzere alışveriş yapmanızı sağlamak alışveriş deneyiminizi iyileştirmek ve](#)

[hizmetlerimizi sunmak için gerekli olan çerezleri ve benzer araçları kullanırız](#)

richard vedon wikipedia - Oct 12 2022

[web richard vedon may 15 1923 october 1 2004 was an american fashion and portrait photographer he worked for harper s bazaar vogue and elle specializing in capturing movement in still pictures of fashion theater and dance 1](#)

[richard vedon photographs 1946 2004 google books](#) - Jun 20 2023

web in august of 2007 denmark s renowned louisiana museum of modern art presented richard avedon photographs 1946 2004 the first major retrospective devoted to avedon s work since his death in

richard avedon photographs 1946 2004 by poul erik tøjner - Dec 14 2022

web richard avedon photographs 1946 2004 poul erik tøjner foreword richard avedon photographer helle crenzien contributor more 4 36 125 ratings9 reviews

exhibitions the richard avedon foundation - May 19 2023

web richard avedon photographs 1946 2004 this exhibition which toured throughout europe before ending at the san francisco museum of modern art was the first posthumously organized retrospective following avedon s death in 2004 it was curated by helle crenzien with an accompanying catalogue

richard avedon photography bio ideas theartstory - Sep 11 2022

web oct 1 2004 summary of richard avedon in a gesture of supreme youthful confidence richard avedon did away with the standard trope of statue like frozen in time models of conventional fashion photography instead the exuberant young photographer who legendarily never stood still enlivened his models and most importantly showed their

richard avedon photographs 1946 2004 studio builder a photography - May 07 2022

web dec 15 2007 it includes 125 reproductions of avedon s greatest work from the entire range of his oeuvre including fashion photographs reportage and portraits and spans from his early italian subjects of the 1940s to his 2004 portrait of the icelandic pop star björk

richard avedon photographs 1946 2004 photo book all - Jun 08 2022

web print length 192 pages in august 2007 denmark s renowned louisiana museum of modern art presented richard avedon photographs 1946 2004 the first major retrospective devoted to avedon s work since his death in 2004

richard avedon photographs 1946 2004 hardcover - Apr 06 2022

web dec 15 2007 richard avedon photographs 1946 2004 hardcover illustrated 15 dec 2007 by michael holm editor poul erik tøjner foreword 8 more 4 8 150 ratings see all formats and editions hardcover 129 48 5 used from 129 48

richard avedon photographs 1946 2004 □□□□□□ □□□□ - Feb 04 2022

web dec 15 2007 in august 2007 denmark s renowned louisiana museum of modern art presented richard avedon photographs 1946 2004 the first major retrospective devoted to avedon s work since his death in 2004 this beautifully produced catalogue designed by the renowned danish graphic designer michael jensen features deluxe tritone printing *sfmoma presents richard avedon photographs 1946 2004* - Jan 03 2022

web apr 28 2009 beginning with one of avedon s early street photographs taken in rome in 1946 and ending with his portrait of pop musician björk made less than four months before the photographer s sudden death richard avedon

photographs 1946 2004 reveals the profoundly social dimension of all the artist s work celebrating his never ending

richard vedon photographs 1946 2004 google books - Apr 18 2023

web on the occasion of the first international retrospective exhibition since his death this publication retraces vedon s artistic developmen his creativity and unique style from the very first

richard vedon photographs 1946 2004 sfmoma - Aug 22 2023

web jul 11 2009 richard vedon photographs 1946 2004 is organized by the louisiana museum of modern art denmark in cooperation with the richard vedon foundation the san francisco presentation is made possible by generous support from the bernard osher foundation nion mcevoy credit suisse and paul and anne wattis

richard vedon 1946 2004 photography book youtube - Mar 05 2022

web 74 7 7k views 6 years ago richardvedon photographybook in august 2007 denmark s renowned louisiana museum of modern art presented richard vedon photographs 1946 2004 the first major

richard vedon photographs 1946 2004 amazon com - Jul 21 2023

web dec 15 2007 richard vedon photographs 1946 2004 holm michael vedon richard tøjner poul erik crenzien helle dyer geoff thurman judith ribbat christoph fraenkel jeffrey gade rune hennessey robert on amazon com free shipping on qualifying offers

richard vedon photographs 1946 2004 artbook d a p - Feb 16 2023

web oct 2 2001 in august 2007 denmark s renowned louisiana museum of modern art presented richard vedon photographs 1946 2004 the first major retrospective devoted to vedon s work since his death in 2004 this beautifully produced catalogue designed by the renowned danish graphic designer michael jensen features deluxe tritone printing

richard vedon photographs evening day new york phillips - Aug 10 2022

web abrams richard vedon portraits n p vedon an autobiography p 31 gagosian vedon murals portraits pp 217 221 holm richard vedon photographs 1946 2004 pp 16 17 random house vedon the sixties pp 78 83 random house richard vedon evidence 1944 1994 pp 74 75 151

richard vedon photographs 1946 2004 abebooks - Nov 13 2022

web in august 2007 denmark s renowned louisiana museum of modern art presented richard vedon photographs 1946 2004 the first major retrospective devoted to vedon s work since his death in 2004 this beautifully produced catalogue designed by the renowned danish graphic designer michael jensen features deluxe tritone printing and varnish on

new version richard vedon 1946 2004 photography book - Jul 09 2022

web get the book on amazon amzn to 2jw85ft in august 2007 denmark s renowned louisiana museum of modern art presented richard vedon photographs 1946 20

richard avedon photographs 1946 2004 9788791607493 - Jan 15 2023

web in august 2007 denmark s renowned louisiana museum of modern art presented richard avedon photographs 1946 2004 the first major retrospective devoted to avedon s work since his death in 2004 this beautifully produced catalogue designed by the renowned danish graphic designer michael jensen features deluxe tritone printing and varnish on