

## INSTALLER/CONSUMER SAFETY INFORMATION

PLEASE READ THIS MANUAL  
BEFORE INSTALLING AND  
USING APPLIANCE

**WARNING!**  
IF THE INFORMATION IN THIS  
MANUAL IS NOT FOLLOWED  
EXACTLY, A FIRE OR EXPLO-  
SION MAY RESULT CAUSING  
PROPERTY DAMAGE, PER-  
SONAL INJURY OR LOSS OF  
LIFE.

**FOR YOUR SAFETY**  
Installation and service must  
be performed by a qualified  
installer, service agency or  
the gas supplier.

### WHAT TO DO IF YOU SMELL GAS:

- Do not try to light any appliance.
- Do not touch any electric switch;  
do not use any phone in your  
building.
- Immediately call your gas  
supplier from your neighbor's  
phone. Follow the gas suppliers  
instructions.
- If you cannot reach your gas  
supplier call the fire department.

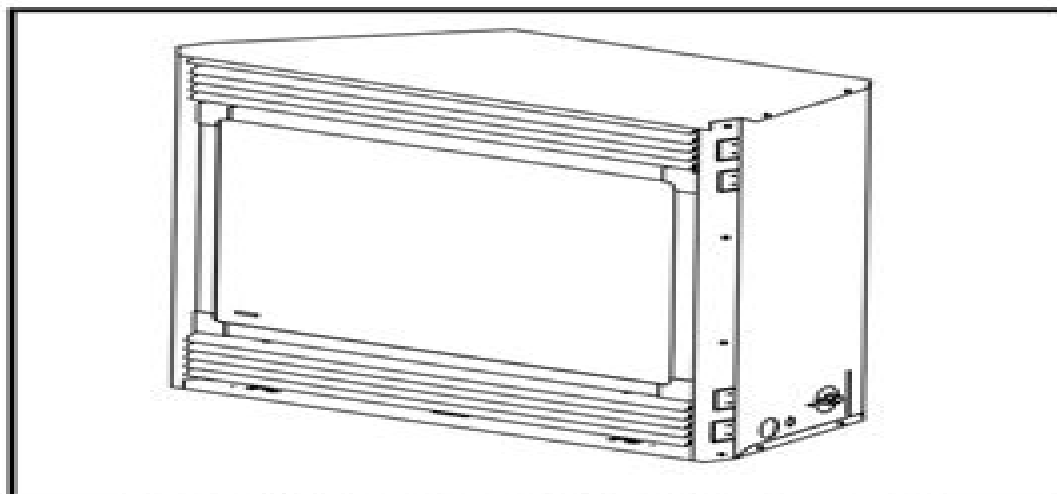
DO NOT STORE OR USE  
GASOLINE OR OTHER  
FLAMMABLE VAPORS AND  
LIQUIDS IN THE VICINITY OF  
THIS OR ANY OTHER  
APPLIANCE.



# MAJESTIC™ *Fireplaces*

## Builder Rear Vent Direct Vent

Models: 33LDVR, 36LDVR,  
39LDVR, 43LDVR



## Installation Instructions and Homeowner's Manual



We recommend that our gas  
hearth products be installed  
and serviced by profes-  
sionals who are certified in  
the U.S. by the National  
Fireplace Institute® (NFI) as  
NFI Gas Specialists.

### CFM Specialty Home Products

410 Admiral Blvd. • Mississauga, Ontario, Canada L5T 2N6 • 905-670-7777  
www.majesticproducts.com • www.vermontcastings.com

**INSTALLER: DO NOT DISCARD THIS MANUAL - LEAVE FOR HOMEOWNER**

# Majestic Fireplace Manual 36bdvr

**KJ Lindholm-Leary**



**Majestic Fireplace Manual 36bdvr:**

The book delves into Majestic Fireplace Manual 36bdvr. Majestic Fireplace Manual 36bdvr is an essential topic that must be grasped by everyone, from students and scholars to the general public. The book will furnish comprehensive and in-depth insights into Majestic Fireplace Manual 36bdvr, encompassing both the fundamentals and more intricate discussions.

1. The book is structured into several chapters, namely:
    - Chapter 1: Introduction to Majestic Fireplace Manual 36bdvr
    - Chapter 2: Essential Elements of Majestic Fireplace Manual 36bdvr
    - Chapter 3: Majestic Fireplace Manual 36bdvr in Everyday Life
    - Chapter 4: Majestic Fireplace Manual 36bdvr in Specific Contexts
    - Chapter 5: Conclusion
  2. In chapter 1, the author will provide an overview of Majestic Fireplace Manual 36bdvr. This chapter will explore what Majestic Fireplace Manual 36bdvr is, why Majestic Fireplace Manual 36bdvr is vital, and how to effectively learn about Majestic Fireplace Manual 36bdvr.
  3. In chapter 2, the author will delve into the foundational concepts of Majestic Fireplace Manual 36bdvr. The second chapter will elucidate the essential principles that need to be understood to grasp Majestic Fireplace Manual 36bdvr in its entirety.
  4. In chapter 3, the author will examine the practical applications of Majestic Fireplace Manual 36bdvr in daily life. The third chapter will showcase real-world examples of how Majestic Fireplace Manual 36bdvr can be effectively utilized in everyday scenarios.
  5. In chapter 4, the author will scrutinize the relevance of Majestic Fireplace Manual 36bdvr in specific contexts. The fourth chapter will explore how Majestic Fireplace Manual 36bdvr is applied in specialized fields, such as education, business, and technology.
  6. In chapter 5, this book will draw a conclusion about Majestic Fireplace Manual 36bdvr. The final chapter will summarize the key points that have been discussed throughout the book.
- This book is crafted in an easy-to-understand language and is complemented by engaging illustrations. This book is highly recommended for anyone seeking to gain a comprehensive understanding of Majestic Fireplace Manual 36bdvr.

[http://www.armchairempire.com/files/browse/Documents/Infiniti\\_Q45\\_Full\\_Service\\_Repair\\_Manual\\_1996.pdf](http://www.armchairempire.com/files/browse/Documents/Infiniti_Q45_Full_Service_Repair_Manual_1996.pdf)

## **Table of Contents Majestic Fireplace Manual 36bdvr**

1. Understanding the eBook Majestic Fireplace Manual 36bdvr
  - The Rise of Digital Reading Majestic Fireplace Manual 36bdvr
  - Advantages of eBooks Over Traditional Books
2. Identifying Majestic Fireplace Manual 36bdvr
  - Exploring Different Genres
  - Considering Fiction vs. Non-Fiction
  - Determining Your Reading Goals
3. Choosing the Right eBook Platform
  - Popular eBook Platforms
  - Features to Look for in an Majestic Fireplace Manual 36bdvr
  - User-Friendly Interface
4. Exploring eBook Recommendations from Majestic Fireplace Manual 36bdvr
  - Personalized Recommendations
  - Majestic Fireplace Manual 36bdvr User Reviews and Ratings
  - Majestic Fireplace Manual 36bdvr and Bestseller Lists
5. Accessing Majestic Fireplace Manual 36bdvr Free and Paid eBooks
  - Majestic Fireplace Manual 36bdvr Public Domain eBooks
  - Majestic Fireplace Manual 36bdvr eBook Subscription Services
  - Majestic Fireplace Manual 36bdvr Budget-Friendly Options
6. Navigating Majestic Fireplace Manual 36bdvr eBook Formats
  - ePub, PDF, MOBI, and More
  - Majestic Fireplace Manual 36bdvr Compatibility with Devices
  - Majestic Fireplace Manual 36bdvr Enhanced eBook Features
7. Enhancing Your Reading Experience
  - Adjustable Fonts and Text Sizes of Majestic Fireplace Manual 36bdvr
  - Highlighting and Note-Taking Majestic Fireplace Manual 36bdvr
  - Interactive Elements Majestic Fireplace Manual 36bdvr
8. Staying Engaged with Majestic Fireplace Manual 36bdvr

- Joining Online Reading Communities
  - Participating in Virtual Book Clubs
  - Following Authors and Publishers Majestic Fireplace Manual 36bdvr
9. Balancing eBooks and Physical Books Majestic Fireplace Manual 36bdvr
- Benefits of a Digital Library
  - Creating a Diverse Reading Collection Majestic Fireplace Manual 36bdvr
10. Overcoming Reading Challenges
- Dealing with Digital Eye Strain
  - Minimizing Distractions
  - Managing Screen Time
11. Cultivating a Reading Routine Majestic Fireplace Manual 36bdvr
- Setting Reading Goals Majestic Fireplace Manual 36bdvr
  - Carving Out Dedicated Reading Time
12. Sourcing Reliable Information of Majestic Fireplace Manual 36bdvr
- Fact-Checking eBook Content of Majestic Fireplace Manual 36bdvr
  - Distinguishing Credible Sources
13. Promoting Lifelong Learning
- Utilizing eBooks for Skill Development
  - Exploring Educational eBooks
14. Embracing eBook Trends
- Integration of Multimedia Elements
  - Interactive and Gamified eBooks

## **Majestic Fireplace Manual 36bdvr Introduction**

Free PDF Books and Manuals for Download: Unlocking Knowledge at Your Fingertips In today's fast-paced digital age, obtaining valuable knowledge has become easier than ever. Thanks to the internet, a vast array of books and manuals are now available for free download in PDF format. Whether you are a student, professional, or simply an avid reader, this treasure trove of downloadable resources offers a wealth of information, conveniently accessible anytime, anywhere. The advent of online libraries and platforms dedicated to sharing knowledge has revolutionized the way we consume information. No longer confined to physical libraries or bookstores, readers can now access an extensive collection of digital books and

manuals with just a few clicks. These resources, available in PDF, Microsoft Word, and PowerPoint formats, cater to a wide range of interests, including literature, technology, science, history, and much more. One notable platform where you can explore and download free Majestic Fireplace Manual 36bdvr PDF books and manuals is the internet's largest free library. Hosted online, this catalog compiles a vast assortment of documents, making it a veritable goldmine of knowledge. With its easy-to-use website interface and customizable PDF generator, this platform offers a user-friendly experience, allowing individuals to effortlessly navigate and access the information they seek. The availability of free PDF books and manuals on this platform demonstrates its commitment to democratizing education and empowering individuals with the tools needed to succeed in their chosen fields. It allows anyone, regardless of their background or financial limitations, to expand their horizons and gain insights from experts in various disciplines. One of the most significant advantages of downloading PDF books and manuals lies in their portability. Unlike physical copies, digital books can be stored and carried on a single device, such as a tablet or smartphone, saving valuable space and weight. This convenience makes it possible for readers to have their entire library at their fingertips, whether they are commuting, traveling, or simply enjoying a lazy afternoon at home. Additionally, digital files are easily searchable, enabling readers to locate specific information within seconds. With a few keystrokes, users can search for keywords, topics, or phrases, making research and finding relevant information a breeze. This efficiency saves time and effort, streamlining the learning process and allowing individuals to focus on extracting the information they need. Furthermore, the availability of free PDF books and manuals fosters a culture of continuous learning. By removing financial barriers, more people can access educational resources and pursue lifelong learning, contributing to personal growth and professional development. This democratization of knowledge promotes intellectual curiosity and empowers individuals to become lifelong learners, promoting progress and innovation in various fields. It is worth noting that while accessing free Majestic Fireplace Manual 36bdvr PDF books and manuals is convenient and cost-effective, it is vital to respect copyright laws and intellectual property rights. Platforms offering free downloads often operate within legal boundaries, ensuring that the materials they provide are either in the public domain or authorized for distribution. By adhering to copyright laws, users can enjoy the benefits of free access to knowledge while supporting the authors and publishers who make these resources available. In conclusion, the availability of Majestic Fireplace Manual 36bdvr free PDF books and manuals for download has revolutionized the way we access and consume knowledge. With just a few clicks, individuals can explore a vast collection of resources across different disciplines, all free of charge. This accessibility empowers individuals to become lifelong learners, contributing to personal growth, professional development, and the advancement of society as a whole. So why not unlock a world of knowledge today? Start exploring the vast sea of free PDF books and manuals waiting to be discovered right at your fingertips.

## **FAQs About Majestic Fireplace Manual 36bdvr Books**

**What is a Majestic Fireplace Manual 36bdvr PDF?** A PDF (Portable Document Format) is a file format developed by Adobe that preserves the layout and formatting of a document, regardless of the software, hardware, or operating system used to view or print it. **How do I create a Majestic Fireplace Manual 36bdvr PDF?** There are several ways to create a PDF: Use software like Adobe Acrobat, Microsoft Word, or Google Docs, which often have built-in PDF creation tools. Print to PDF: Many applications and operating systems have a "Print to PDF" option that allows you to save a document as a PDF file instead of printing it on paper. Online converters: There are various online tools that can convert different file types to PDF. **How do I edit a Majestic Fireplace Manual 36bdvr PDF?** Editing a PDF can be done with software like Adobe Acrobat, which allows direct editing of text, images, and other elements within the PDF. Some free tools, like PDFescape or Smallpdf, also offer basic editing capabilities. **How do I convert a Majestic Fireplace Manual 36bdvr PDF to another file format?** There are multiple ways to convert a PDF to another format: Use online converters like Smallpdf, Zamzar, or Adobe Acrobats export feature to convert PDFs to formats like Word, Excel, JPEG, etc. Software like Adobe Acrobat, Microsoft Word, or other PDF editors may have options to export or save PDFs in different formats. **How do I password-protect a Majestic Fireplace Manual 36bdvr PDF?** Most PDF editing software allows you to add password protection. In Adobe Acrobat, for instance, you can go to "File" -> "Properties" -> "Security" to set a password to restrict access or editing capabilities. Are there any free alternatives to Adobe Acrobat for working with PDFs? Yes, there are many free alternatives for working with PDFs, such as: LibreOffice: Offers PDF editing features. PDFsam: Allows splitting, merging, and editing PDFs. Foxit Reader: Provides basic PDF viewing and editing capabilities. How do I compress a PDF file? You can use online tools like Smallpdf, ILovePDF, or desktop software like Adobe Acrobat to compress PDF files without significant quality loss. Compression reduces the file size, making it easier to share and download. Can I fill out forms in a PDF file? Yes, most PDF viewers/editors like Adobe Acrobat, Preview (on Mac), or various online tools allow you to fill out forms in PDF files by selecting text fields and entering information. Are there any restrictions when working with PDFs? Some PDFs might have restrictions set by their creator, such as password protection, editing restrictions, or print restrictions. Breaking these restrictions might require specific software or tools, which may or may not be legal depending on the circumstances and local laws.

## **Find Majestic Fireplace Manual 36bdvr :**

**infiniti q45 full service repair manual 1996**

*industrial ventilation a manual of recommended practice for design 27th edition free*



**infant lesson plan for caterpillar**

[ingersoll rand vr642c manual](#)

[ingersoll rand owners manual d54in](#)

[ingersoll rand up5 30 7 service manual](#)

**inline a manual for beginning to intermediate inline skating**

[ingersoll rand g44 generator manual](#)

**infor amadeus manual pms**

**ingersoll rand air compressor service manual ts4n5**

[informacin en el mvil spanish edition](#)

[infiniti fx45 s50 series 2000 2008 factory service repair manual](#)

[ingersoll rand ssr 2000 air compressor parts list manual](#)

**info liburan backpacker one day trip yang keren dan murah**

**information technology project management 5th edition**

**Majestic Fireplace Manual 36bdvr :**

**managerial accounting 11e mheducation co in** - Jul 15 2023

web nov 20 2020 the 11th edition of managerial accounting focuses on teaching students to use accounting information to best manage an organization each chapter is written around a realistic business or focus company that guides the

**managerial accounting maher solutions 11e secure4 khronos** - Nov 07 2022

web jun 14 2023 managerial accounting maher solutions 11e kaphir de managerial accounting maher solutions 11e blacklist no solution manual for managerial accounting an introduction

[managerial accounting maher solutions 11e pdf 2 brb org](#) - Sep 05 2022

web managerial accounting maher solutions 11e a concise introduction to logic advanced management accounting

accounting principles fundamentals of cost accounting take action cd to accompany intermediate accounting 11th edition

handbook of cost and management accounting book keeping and accounts

**managerial accounting maher solutions 11e 2022 public videojs** - Jun 02 2022

web managerial accounting maher solutions 11e methods and uses 11e maher 1111571260 test bank solution managerial accounting maher solutions 11e downloaded from public videojs com by guest franklin rhett managerial accounting maher

solutions 11e practice test bank for managerial accounting introduction concepts methods

*managerial accounting maher solutions 11e* - Aug 16 2023

web publication managerial accounting maher solutions 11e as without difficulty as evaluation them wherever you are now accounting principles roger h hermannson 2018 02 16 accounting principles a business perspective uses annual reports of real companies to illustrate many of the accounting concepts in use in business today

[solved chapter 11 problem 21e solution financial and managerial](#) - Mar 31 2022

web access financial and managerial accounting 8th edition chapter 11 problem 21e solution now our solutions are written by chegg experts so you can be assured of the highest quality

**managerial accounting maher solutions 11e** - Jan 29 2022

web kindly say the managerial accounting maher solutions 11e is universally compatible with any devices to read e commerce 2015 global edition kenneth c laudon 2015 01 23 e commerce 2015 is intended for use in undergraduate and graduate e commerce courses in any business discipline the

**solutions manual managerial accounting 11th edition maher** - Jan 09 2023

web nov 26 2022 get free solutions manual managerial accounting 11th edition maher the how aspects of accounting in order to reinforce concepts and promote comprehension over rote memorization hornngren s accounting presents the core content of the accounting course in a fresh format designed to help today s learner succeed

[managerial accounting maher solutions 11e](#) - Aug 04 2022

web managerial accounting maher solutions 11e getting the books managerial accounting maher solutions 11e now is not type of challenging means you could not by yourself going later than book increase or library or borrowing from your friends to right of entry them this is an definitely easy means to specifically acquire lead by on line

[maher yasin group finance director jeet building contracting](#) - Feb 27 2022

web energetic individual with several years of experience in the accounting profession principal strengths include being a self starter managing problem solving and the ability to manage multiple tasks also hold exceptional organizational communication and implementation skills responsibilities have included overall management of all aspects of accounting

*managerial accounting maher solutions 11e* - Feb 10 2023

web managerial accounting maher solutions 11e as capably as evaluation them wherever you are now managerial accounting ray h garrison 2023 04 27 much like the ready notes this booklet offers a hard copy version of all the teaching transparencies students can annotate the material during the lecture and take notes in the space provided

**managerial accounting maher solutions 11e copy** - May 13 2023

web managerial accounting maher solutions 11e 1 managerial accounting maher solutions 11e managerial accounting maher solutions 11e chap002 solution manual managerial accounting llm 5103 test bank for managerial accounting an introduction to solution manual for managerial accounting an introduction

**managerial accounting maher solutions 11e patrick hurley** - Dec 28 2021

web it will agreed ease you to look guide managerial accounting maher solutions 11e as you such as by searching the title publisher or authors of guide you truly want you can discover them rapidly in the house workplace or perhaps in your method can be every best place within net connections if you purpose to download and install the

*managerial accounting 11th 12 by maher michael w* - Mar 11 2023

web jan 1 2011 managerial accounting 11th 12 by maher michael w stickney clyde p weil roman l hardcover 2011 maher on amazon com free shipping on qualifying offers managerial accounting 11th 12 by maher michael w stickney clyde p weil roman l hardcover 2011

**managerial accounting maher solutions 11e pqr uiaf gov co** - May 01 2022

web as this one merely said the managerial accounting maher solutions 11e is universally compatible considering any devices to read learning by doing dasaratha v rama 1998 this volume is part of a series of 18 monographs on service learning and the academic disciplines it is designed to 1 develop a theoretical framework for

*managerial accounting maher solutions 11e pdf pdf tax* - Oct 06 2022

web introduction managerial accounting maher solutions 11e pdf pdf accounting for decision making and control jerold l zimmerman 2019 revised edition of the author s accounting for decision making and control 2017

*managerial accounting an introduction to concepts methods* - Jun 14 2023

web mar 16 2011 this classic mba text balances managerial accounting coverage with a strong emphasis on management decision making core managerial accounting concepts are combined with the latest cutting edge material important to today s managers and decision makers

**managerial accounting maher solutions 11e** - Jul 03 2022

web we meet the expense of under as with ease as review managerial accounting maher solutions 11e what you in imitation of to read managerial accounting an introduction to concepts methods and uses michael w maher 2012 07 24 prepare your mba students to become successful managers not just leading accountants with the proven success of

*managerial accounting maher solutions 11e* - Apr 12 2023

web managerial accounting maher solutions 11e recognizing the habit ways to get this book managerial accounting maher solutions 11e is additionally useful you have remained in right site to start getting this info acquire the managerial accounting maher solutions 11e associate that we have the funds for here and check out the link

**managerial accounting maher solutions 11e a a mx** - Dec 08 2022

web title managerial accounting maher solutions 11e author wiki ctsnet org ralf schweizer 2020 09 14 00 24 43 subject managerial accounting maher solutions 11e the writers of solutions manual managerial accounting

**diy peeling schön geschrubbt andreas ab 7 90** - Dec 13 2022

9783990252673 diy peeling schön geschrubbt diy peeling schön geschrubbt 8 angebote vergleichen bester preis 7 90 vom 14 06 2016 alle angebot nur beste angebote als tabelle kompakt preisspektrum suchen sie ihr buch nach autor titel verlag stichwort oder isbn autor titel oder isbn close qr code scanner search erweiterte suche

**diy peeling schön geschrubbt von prammer andreas** - Jul 08 2022

diy peeling schön geschrubbt von prammer andreas buch zustand sehr gut eur 5 40 zu verkaufen gebundene ausgabe herausgeber publisher action abenteuer schutzumschlag cover booklet hülle 134416415347

diy peeling schön geschrubbt lovelybooks - Jun 19 2023

apr 25 2016 durch die verschiedensten peeling varianten erlernen die anwenderschnell welche wirkung die diversen inhaltsstoffe erzielen und welche effekte sie auf diy peeling schön geschrubbt von andreas prammer bei lovelybooks sachbuch

**diy peeling schön geschrubbt by andreas prammer jochen** - Jun 07 2022

diy peeling schön geschrubbt by andreas prammer jochen geschwandtner das schreiben von bücher im diy bereich eine willkommene ergänzung um das angesammelte wissen zu transportieren

**diy peeling schön geschrubbt by andreas prammer jochen** - Oct 11 2022

sep 25 2023 diy schön geschrubbt diese natürlichen peelings may 8th 2020 schon nach wenigen anwendungen kannst du dich über schöne haut freuen da dieses peeling besonders sanft ist kannst du es bis zu drei mal pro woche anwenden so kann der sommer kommen ein selbstgemachtes kaffee peeling schneu die kräuterhexe

**peeling selber machen die besten zutaten für dein diy scrub** - Apr 17 2023

aug 3 2018 peeling selber machen die besten zutaten für dein diy scrub dieser beitrag enthält werbung und oder bezahlte werbelinks von lisa lederer aktualisiert am 13 april 2021 du möchtest ein peeling selber machen dann bist du hier richtig wir zeigen dir die zutaten für dein diy scrub und wie du deine peelings herstellen kannst

ain t no scrub fünf diy peelings hey pretty - Aug 09 2022

mar 5 2015 günstig gut und natürlich hey pretty präsentiert fünf diy peelings die ratzfatz selber gemacht sind und dich in sachen scrubs legendär machen werden apfel zimt zucker peeling apple cinnamon sugar scrub von savingwithshellie und das bereits seit 2013 das meistgelesene beauty blog magazin der schweiz bietet die perfekte

*peeling selber machen die besten rezepte instyle* - Feb 15 2023

jul 17 2017 peeling selber machen orangen joghurt mix gegen trockene haut wenn du drei esslöffel joghurt ein esslöffel haferflocken und zwei esslöffel zerkleinerte orangenschale verrührst kannst du innerhalb einer minute ein gesichtspeeling selber machen massiere die gesichtsreinigung mit kreisenden bewegungen sanft ein und entferne sie nach 15

*peeling selbermachen 9 diy rezepte für selbstgemachtes peeling* - May 18 2023

jun 6 2016 aber es gibt ja noch hausgemachte alternativen und ich hatte euch ja bereits rezepte für selbstgemachte peelings versprochen voilà meersalz olivenöl peeling 3 4 el meersalz nicht zu grob sondern eher fein 1 el natives olivenöl zubereitung beide zutaten verrühren fertig

diy schön geschrubbt diese natürlichen peelings bunte de - Jul 20 2023

may 14 2018 1 ein sommerliches zitronenpeeling beugt hautrötungen vor welche frucht ist erfrischender und sommerlicher als zitronen vor allem im sommer aktivieren uns fruchtig frische gerüche und lassen uns

*diy peeling schön geschrubbt amazon de* - Aug 21 2023

diy peeling schön geschrubbt prammer andreas gschwandtner jochen isbn 9783990252673 kostenloser versand für alle bücher mit versand und verkauf duch amazon

amazon de kundenrezensionen diy peeling schön geschrubbt - Jan 14 2023

finde hilfreiche kundenrezensionen und rezensionsbewertungen für diy peeling schön geschrubbt auf amazon de lese ehrliche und unvoreingenommene rezensionen von unseren nutzern

*diy peeling schön geschrubbt von andreas prammer zvab* - Sep 10 2022

diy peeling schön geschrubbt von prammer andreas gschwandtner jochen und eine große auswahl ähnlicher bücher kunst und sammlerstücke erhältlich auf zvab com

**diy peeling schön geschrubbt by andreas prammer jochen** - Mar 04 2022

diy peeling schön geschrubbt by andreas prammer jochen gschwandtner lipscrub selbermachen may 23rd 2020 diese wären z b die lebensmittelfarbe um den peeling einen intensivieren ton zu verleihen und für ein leckeren duft reicht auch schon ein backzusatz wie butter vanille ich habe für mein

diy peeling schön geschrubbt by andreas prammer jochen - Apr 05 2022

jun 6 2023 diy peeling schön geschrubbt by andreas prammer jochen gschwandtner diy peeling schön geschrubbt by andreas prammer jochen gschwandtner nach acht körperbutter mit heilerde schwatz katz die 1048 besten bilder zu haushalt in 2020 haushalts 7 best dyi haushaltsmittel images in 2020 homemade wie man schön ohne irgendeine verfassung an

9783990252673 diy peeling schön geschrubbt zvab - Mar 16 2023

diy peeling schön geschrubbt von prammer andreas gschwandtner jochen beim zvab com isbn 10 3990252674 isbn 13 9783990252673 freya verlag 2016 hardcover

**diy peeling schön geschrubbt de prammer andreas gs** - May 06 2022

diy peeling schön geschrubbt de prammer andreas gs livre état très bon eur 6 79 À vendre d occasion très bon second hand very good il peut s agir 125725216483

[diy peeling schon geschrubbt evt jyrankola](#) - Feb 03 2022

2 diy peeling schon geschrubbt 2022 02 10 psychischen veränderungen der werdenden mutter der ratgeber fungiert zugleich als tagebuch notizfelder bieten platz für die wichtigsten erinnerungen und fragen viele nützliche tipps zu themen wie zur ernährung der kliniktasche und bequemer umstandskleidung machen das buch zum perfekten begleiter

**diy peeling schön geschrubbt almanca ciltli kapak** - Sep 22 2023

diy peeling schön geschrubbt prammer andreas gschwandtner jochen amazon com tr

**diy peeling schön geschrubbt von prammer andreas gsch** - Nov 12 2022

diy peeling schön geschrubbt von prammer andreas gsch buch zustand gut so macht sparen spaß bis zu 70 ggü neupreis  
*theories and principles of motivation apa psycnet* - May 21 2023

web theories and principles of motivation citation graham s weiner b 1996 theories and principles of motivation in d c berliner r c calfee eds handbook of educational psychology pp 63 84 macmillan library reference usa prentice hall international abstract

**motivation theories and principles beck robert c robert** - Jun 22 2023

web motivation theories and principles by beck robert c robert clarence 1931

[motivation theories online tutorials library](#) - Dec 04 2021

web 14 extrinsic motivation this is also one of the most used theories in the corporate world the employee is motivated through rewards 15 goal setting theory desire to achieve goals is the driving force behind this motivation theory 16 investment model

[motivation theories and principles robert c beck catalogue](#) - Mar 07 2022

web isbn 0130112925 summary motivation theories and principles fourth edition by robert c beck presents key current and historical experimental findings to provide students with a broad survey of the research and theory in the field of animal and human motivation book jacket full contents

[what is motivation theories examples study com](#) - Jan 05 2022

web motivation is the reason or driving force behind an individual s actions towards a goal explore several theories and examples of motivation including the differences between intrinsic and

**pdf theories and principles of motivation researchgate** - Aug 24 2023

web pdf on jan 1 1996 s graham and others published theories and principles of motivation find read and cite all the research you need on researchgate

**motivation theories and principles apa psycnet** - Mar 19 2023

web motivation theories and principles presents many different areas of motivational research both in animals and humans

and relates them to each other whenever possible topics covered include motivation theory species specific behavior drive activation arousal rewards and aversive stimulation including reinforcement incentives escape

**motivation theories and principles 5th edition 5th edition** - Feb 18 2023

web jun 23 2003 this fifth edition of motivation theories and principles expresses the same orientation as that found in earlier editions it is an experimentally oriented survey of research and theory on animal and human an motivation emphasizing hedonic

**what is motivation principles theories how it works evan** - Aug 12 2022

web may 5 2020 3 main components of motivation motivation may appear to be an abstract concept but it actually consists of three interdependent parts the three key components of motivation are activation intensity and persistence these three components work together and compel people to act in a certain way

**motivation introduction to the theory concepts and research** - Nov 15 2022

web may 3 2018 abstract motivation is a psychological construct that refers to the disposition to act and direct behavior according to a goal like most of psychological processes motivation develops throughout the life span and is influenced by both biological and environmental factors

**motivation definition types theories and how to find it** - Sep 25 2023

web may 3 2023 the term motivation describes why a person does something it is the driving force behind human actions motivation is the process that initiates guides and maintains goal oriented behaviors for instance motivation is what helps you lose extra weight or pushes you to get that promotion at work

*motivation theories 5 famous motivation theories* - May 09 2022

web motivation theories motivation is a state of mind filled with energy and enthusiasm which drives a person to work in a certain way to achieve desired goals motivation is a force that pushes people to work with a high level of commitment and focus even if things are going against them motivation translates into a certain kind of human

**motivation theories and principles worldcat org** - Jul 11 2022

web summary motivation theories and principles fourth edition by robert c beck presents key current and historical experimental findings to provide students with a broad survey of the research and theory in the field of animal and human motivation jacket print book english 2000

[motivation theories and principles worldcat org](#) - Sep 13 2022

web motivation theories and principles author robert c beck summary for undergraduate courses in motivation this experimentally oriented text provides a critical examination of research and theory with a topical approach

[pdf theories of motivation researchgate](#) - Oct 14 2022

web feb 1 2020 motivation theories abound and identify how people make choices and respond to the priorities and values of their lives this book chapter identifies twelve different motivational theories

**applying learning theories in real world contexts** - Oct 02 2021

web oct 20 2023 3122805052 rchristopher ala org chicago from makerspaces to book clubs from media facilities to group study spaces from special events to book displays libraries support learning in numerous ways in the librarian s guide to learning theory practical applications in library settings published by ala editions ann

**motivation theories and principles hardcover abebooks** - Apr 08 2022

web it explores basic biological ideas and the concepts of reinforcers and incentive motivation then moves to aversive motivation with an emphasis on human motivation chapters discuss aggression and altruism motivation in personality theory attitudes and interpersonal attraction

**motivation theories and principles google books** - Jul 23 2023

web this experimentally oriented book provides a critical examination of research and theory with a topical approach it covers a broad range of motivational concepts from both human and animal

*motivation theories and principles google books* - Dec 16 2022

web this experimentally oriented book provides a critical examination of research and theory with a topical approach it covers a broad range of motivational concepts from both human and animal theory and research with an emphasis on the biological bases of motivation

**educ 892 spring calendar simon fraser university** - Sep 01 2021

web design principles for multimedia learning are derived from the theories and research of cognitive science topics include tutorial interactions history of adaptive learning systems adapting to individual differences dialogues with teachers and other agents problem solving and cognitive load learning from multimedia cognitive principles for document

hamas s genocidal intentions were never a secret the atlantic - Jul 31 2021

web oct 10 2023 the reinforcement of historical anti semitic tropes and calumnies married to sinister conspiracy theories thus as fighting rages in israel and gaza and may yet escalate and spread pleas for

**14 3 process theories of motivation principles of management** - Jan 17 2023

web highlights describe the process theories of motivation and compare and contrast the main process theories of motivation operant conditioning theory equity theory goal theory and expectancy theory process theories of motivation try

motivation theories and principles 575 words essay example - Nov 03 2021

web jun 30 2020 theories of motivation according to experts there are numerous theories of motivation the various theorists who explain this concept use certain beliefs that explain factors that influence human behavior some of the common



hypotheses used to explain motivation include the drive or needs theory and arousal theory

**20 most popular theories of motivation in psychology** - Jun 10 2022

web may 24 2023 maslow s theory of the hierarchy of needs alderfer s erg theory maclelland s achievement motivation theory and herzberg s two factor theory focused on what motivates people and addressed specific factors like individual needs and goals

motivation theories and principles google books - Apr 20 2023

web this experimentally oriented text provides a critical examination of research and theory with a topical approach it covers a broad range of motivational concepts from both human and animal theory and research with an emphasis on the biological bases of motivation

**motivation theories and principles by robert c beck goodreads** - Feb 06 2022

web it explores basic biological ideas and the concepts of reinforcers and incentive motivation then moves to aversive motivation with an emphasis on human motivation chapters discuss aggression and altruism motivation in personality theory attitudes and interpersonal attraction