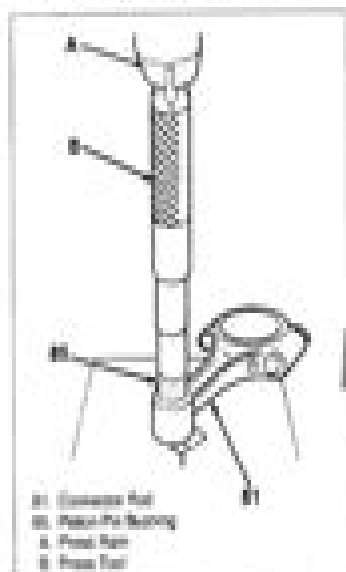


PISTON PIN BUSHING REPLACEMENT

Figure 61 and 62

1. Fully support the connecting rod upper end in a press.
2. Press out the oil bushing, using a suitable press tool (Figure 61).
3. Press the new bushing into place, using the press and press tool (Figure 62). Be sure the oil holes in the bushing and connecting rod align.
4. Fit the new bushing to the piston pin, using a pin hole gauge (Figure 63).



A: Connector Rod
B: Press the bushing
C: Press Rod

Figure 61: Removing or Installing the Piston Pin Bushing



Figure 62: Pressing the Connecting Rod Piston Pin Bushing

VIBRATION DAMPER REPLACEMENT

Remove or Disconnect (Figure 71)

1. Battery ground cables.
2. Tension strap for fan shroud.
3. Cooling fan (2) (Figure 4, 5A/C, 6B/C).
4. Loosen the generator adjusting plate bolt and remove the drive belts.
5. Loosen the A/C compressor drive belt tensioner and remove the drive belt. Refer to A/C CONDITIONING (SEC. 18).
6. Damper bolts (2).
7. Vibration damper (2).



Figure 71: Crankshaft Damper and Pulley

Install or Connect (Figure 71)

1. Vibration damper (2).
2. Lubricate the bolt (2) threads with engine oil.
3. Bolts (2).

Tighten

- Bolts (2) to 100 N·m (74.3 ft·lb)

4. Route the drive belts.
5. Adjust the generator drive belts to just the belt 9 - 13 mm (0.3543 - 0.5118 in) with 60 N·m (22 ft·lb).
6. Adjust the A/C compressor drive belt tensioner to just the belt 16 - 20 mm (0.6300 - 0.7874 in) with 60 N·m (22 ft·lb).
7. Cooling fan (2) (Figure 4, 5A/C, 6B/C).
8. Stay for fan shroud (Figure 1, 5A/C, 6B/C).
9. Battery ground cables.

OIL PUMP REPLACEMENT

Remove or Disconnect (Figure 76)

1. Oil pan.
2. Power steering pump.
3. Flywheel.
4. Flywheel housing.
5. Flare of rear stringer.
6. Oil pan gasket.
7. Bolts (14).
8. Oil pump (14).

Disconnect (Figure 76)

1. Drive (147) and driven gear (151).
2. Retain valve (155, 156, 158, 157).

Clean

- All parts to solvent. Blow dry with compressed air.

Inspect (Figure 76)

- Gears (151), and cover (147) for pitting or wear.
- Retain valve (155) for wear.

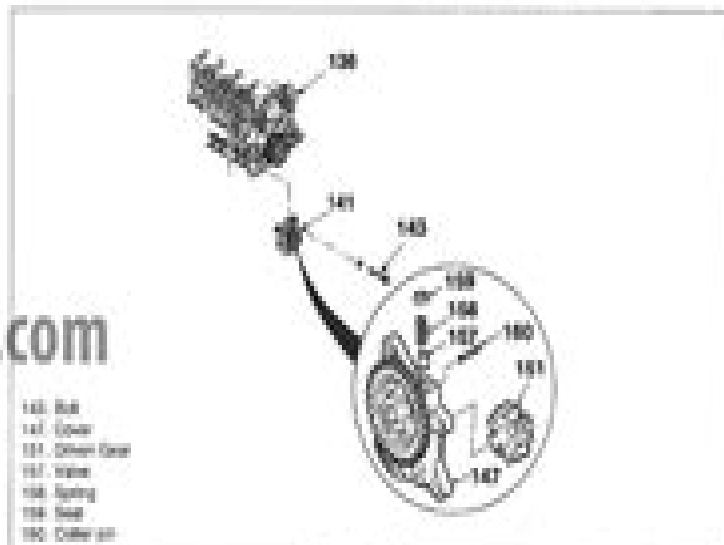


Figure 76: Oil Pump

Measure (Figure 76, 77 and 78)

- Gear teeth to cover inner wall clearance as shown in figure 76. Use a feeler gauge, as shown. The clearance must not exceed 0.17 mm (0.007 in). If excessive, replace the pump assembly.
- Cover and gear end clearance, as shown in figure 77. Use a straightedge and feeler gage, as shown. The clearance must not exceed 0.2 mm (0.0079 in). If excessive, replace the cover and gear set.

- Drive and driven shaft (diameters as shown in figure 76). If the diameter is less than 13.8 mm (0.543 in), replace the shaft and gear set.
- Clearance between driven shaft and bushing must not exceed 0.2 mm (0.0079 in).

MyPowerManual.com

Gmc W4500 Manual

Emilie Sanchez



Gmc W4500 Manual:

Public Works Manual ,2002 **Fleet Owner** ,2006 *Transportation & Distribution* ,2000 *Automobile Design Liability, 3d: Recalls (2 v.)* Richard M. Goodman,1994 **Automotive News** , *GMC Truck Series 40-95* General Motors Corporation. Truck & Coach Division,1976 **GMC Truck Series 7500-8500** General Motors Corporation. Truck & Coach Division, *GMC Truck Gasoline and Diesel Models 450-470* General Motors Corporation. Truck & Coach Division,1952

GMC Truck Series 910-960 General Motors Corporation,1967 *G.M.C. Truck* General Motors-Holden's Limited. Service Division,1946 **GMC Truck Service Manual.** -- General Motors Corporation,1977 Service Manual, GMC Trucks General Motors Corporation. GMC Truck & Coach Division,1967 *Maintenance Manual GMC Truck Model AT-218 Pow-R-Flo Automatic Transmission* General Motors Corporation. GMC Truck & Coach Division,1962 Covers the Pow R Flo transmission as used on 1963 GMC G series trucks 1000 1500 P PB1000 P PB1500 **GMC Truck Service Manual** ,1969

GMC Truck Series 70 Thru 9502 General Motors Corporation. Truck & Coach Division,1973 Supplement to Service Manual X-6733, GMC Trucks Series 4000 Thru 6500 General Motors Corporation. GMC Truck & Coach Division,1968

GMC Truck Service Manual, Series 4000 Thru 6500 General Motors Corporation. GMC Truck & Coach Division,1968

Chevrolet and GMC Truck Shop Manual General Motors Products of Canada,19?? **Supplement to Service Manual X-6933, GMC Trucks, Gasoline Models CE-4500, CE 5500, ME 6500** ,1969 *GMC Truck Series 7500-9501* General Motors Corporation. Truck & Coach Division,1973

The book delves into Gmc W4500 Manual. Gmc W4500 Manual is an essential topic that must be grasped by everyone, from students and scholars to the general public. This book will furnish comprehensive and in-depth insights into Gmc W4500 Manual, encompassing both the fundamentals and more intricate discussions.

1. This book is structured into several chapters, namely:

- Chapter 1: Introduction to Gmc W4500 Manual
- Chapter 2: Essential Elements of Gmc W4500 Manual
- Chapter 3: Gmc W4500 Manual in Everyday Life
- Chapter 4: Gmc W4500 Manual in Specific Contexts
- Chapter 5: Conclusion

2. In chapter 1, the author will provide an overview of Gmc W4500 Manual. This chapter will explore what Gmc W4500 Manual is, why Gmc W4500 Manual is vital, and how to effectively learn about Gmc W4500 Manual.

3. In chapter 2, the author will delve into the foundational concepts of Gmc W4500 Manual. The second chapter will elucidate the essential principles that must be understood to grasp Gmc W4500 Manual in its entirety.

4. In chapter 3, the author will examine the practical applications of Gmc W4500 Manual in daily life. The third chapter will showcase real-world examples of how Gmc W4500 Manual can be effectively utilized in everyday scenarios.

5. In chapter 4, the author will scrutinize the relevance of Gmc W4500 Manual in specific contexts. This chapter will explore how Gmc W4500 Manual is applied in specialized fields, such as education, business, and technology.

6. In chapter 5, this book will draw a conclusion about Gmc W4500 Manual. This chapter will summarize the key points that have been discussed throughout the book.

This book is crafted in an easy-to-understand language and is complemented by engaging illustrations. This book is highly recommended for anyone seeking to gain a comprehensive understanding of Gmc W4500 Manual.

http://www.armchairempire.com/data/Resources/default.aspx/Gorman_Rupp_Manuals_80_Series.pdf

Table of Contents Gmc W4500 Manual

1. Understanding the eBook Gmc W4500 Manual

- The Rise of Digital Reading Gmc W4500 Manual
- Advantages of eBooks Over Traditional Books
- 2. Identifying Gmc W4500 Manual
 - Exploring Different Genres
 - Considering Fiction vs. Non-Fiction
 - Determining Your Reading Goals
- 3. Choosing the Right eBook Platform
 - Popular eBook Platforms
 - Features to Look for in an Gmc W4500 Manual
 - User-Friendly Interface
- 4. Exploring eBook Recommendations from Gmc W4500 Manual
 - Personalized Recommendations
 - Gmc W4500 Manual User Reviews and Ratings
 - Gmc W4500 Manual and Bestseller Lists
- 5. Accessing Gmc W4500 Manual Free and Paid eBooks
 - Gmc W4500 Manual Public Domain eBooks
 - Gmc W4500 Manual eBook Subscription Services
 - Gmc W4500 Manual Budget-Friendly Options
- 6. Navigating Gmc W4500 Manual eBook Formats
 - ePub, PDF, MOBI, and More
 - Gmc W4500 Manual Compatibility with Devices
 - Gmc W4500 Manual Enhanced eBook Features
- 7. Enhancing Your Reading Experience
 - Adjustable Fonts and Text Sizes of Gmc W4500 Manual
 - Highlighting and Note-Taking Gmc W4500 Manual
 - Interactive Elements Gmc W4500 Manual
- 8. Staying Engaged with Gmc W4500 Manual
 - Joining Online Reading Communities
 - Participating in Virtual Book Clubs
 - Following Authors and Publishers Gmc W4500 Manual

9. Balancing eBooks and Physical Books Gmc W4500 Manual
 - Benefits of a Digital Library
 - Creating a Diverse Reading Collection Gmc W4500 Manual
10. Overcoming Reading Challenges
 - Dealing with Digital Eye Strain
 - Minimizing Distractions
 - Managing Screen Time
11. Cultivating a Reading Routine Gmc W4500 Manual
 - Setting Reading Goals Gmc W4500 Manual
 - Carving Out Dedicated Reading Time
12. Sourcing Reliable Information of Gmc W4500 Manual
 - Fact-Checking eBook Content of Gmc W4500 Manual
 - Distinguishing Credible Sources
13. Promoting Lifelong Learning
 - Utilizing eBooks for Skill Development
 - Exploring Educational eBooks
14. Embracing eBook Trends
 - Integration of Multimedia Elements
 - Interactive and Gamified eBooks

Gmc W4500 Manual Introduction

In today's digital age, the availability of Gmc W4500 Manual books and manuals for download has revolutionized the way we access information. Gone are the days of physically flipping through pages and carrying heavy textbooks or manuals. With just a few clicks, we can now access a wealth of knowledge from the comfort of our own homes or on the go. This article will explore the advantages of Gmc W4500 Manual books and manuals for download, along with some popular platforms that offer these resources. One of the significant advantages of Gmc W4500 Manual books and manuals for download is the cost-saving aspect. Traditional books and manuals can be costly, especially if you need to purchase several of them for educational or professional purposes. By accessing Gmc W4500 Manual versions, you eliminate the need to spend money on physical copies. This not only saves you money but also reduces the environmental impact associated with book production and transportation. Furthermore, Gmc W4500 Manual books and manuals for download are incredibly convenient. With just a

computer or smartphone and an internet connection, you can access a vast library of resources on any subject imaginable. Whether you're a student looking for textbooks, a professional seeking industry-specific manuals, or someone interested in self-improvement, these digital resources provide an efficient and accessible means of acquiring knowledge. Moreover, PDF books and manuals offer a range of benefits compared to other digital formats. PDF files are designed to retain their formatting regardless of the device used to open them. This ensures that the content appears exactly as intended by the author, with no loss of formatting or missing graphics. Additionally, PDF files can be easily annotated, bookmarked, and searched for specific terms, making them highly practical for studying or referencing. When it comes to accessing Gmc W4500 Manual books and manuals, several platforms offer an extensive collection of resources. One such platform is Project Gutenberg, a nonprofit organization that provides over 60,000 free eBooks. These books are primarily in the public domain, meaning they can be freely distributed and downloaded. Project Gutenberg offers a wide range of classic literature, making it an excellent resource for literature enthusiasts. Another popular platform for Gmc W4500 Manual books and manuals is Open Library. Open Library is an initiative of the Internet Archive, a non-profit organization dedicated to digitizing cultural artifacts and making them accessible to the public. Open Library hosts millions of books, including both public domain works and contemporary titles. It also allows users to borrow digital copies of certain books for a limited period, similar to a library lending system. Additionally, many universities and educational institutions have their own digital libraries that provide free access to PDF books and manuals. These libraries often offer academic texts, research papers, and technical manuals, making them invaluable resources for students and researchers. Some notable examples include MIT OpenCourseWare, which offers free access to course materials from the Massachusetts Institute of Technology, and the Digital Public Library of America, which provides a vast collection of digitized books and historical documents. In conclusion, Gmc W4500 Manual books and manuals for download have transformed the way we access information. They provide a cost-effective and convenient means of acquiring knowledge, offering the ability to access a vast library of resources at our fingertips. With platforms like Project Gutenberg, Open Library, and various digital libraries offered by educational institutions, we have access to an ever-expanding collection of books and manuals. Whether for educational, professional, or personal purposes, these digital resources serve as valuable tools for continuous learning and self-improvement. So why not take advantage of the vast world of Gmc W4500 Manual books and manuals for download and embark on your journey of knowledge?

FAQs About Gmc W4500 Manual Books

How do I know which eBook platform is the best for me? Finding the best eBook platform depends on your reading preferences and device compatibility. Research different platforms, read user reviews, and explore their features before

making a choice. Are free eBooks of good quality? Yes, many reputable platforms offer high-quality free eBooks, including classics and public domain works. However, make sure to verify the source to ensure the eBook credibility. Can I read eBooks without an eReader? Absolutely! Most eBook platforms offer webbased readers or mobile apps that allow you to read eBooks on your computer, tablet, or smartphone. How do I avoid digital eye strain while reading eBooks? To prevent digital eye strain, take regular breaks, adjust the font size and background color, and ensure proper lighting while reading eBooks. What the advantage of interactive eBooks? Interactive eBooks incorporate multimedia elements, quizzes, and activities, enhancing the reader engagement and providing a more immersive learning experience. Gmc W4500 Manual is one of the best book in our library for free trial. We provide copy of Gmc W4500 Manual in digital format, so the resources that you find are reliable. There are also many Ebooks of related with Gmc W4500 Manual. Where to download Gmc W4500 Manual online for free? Are you looking for Gmc W4500 Manual PDF? This is definitely going to save you time and cash in something you should think about. If you trying to find then search around for online. Without a doubt there are numerous these available and many of them have the freedom. However without doubt you receive whatever you purchase. An alternate way to get ideas is always to check another Gmc W4500 Manual. This method for see exactly what may be included and adopt these ideas to your book. This site will almost certainly help you save time and effort, money and stress. If you are looking for free books then you really should consider finding to assist you try this. Several of Gmc W4500 Manual are for sale to free while some are payable. If you arent sure if the books you would like to download works with for usage along with your computer, it is possible to download free trials. The free guides make it easy for someone to free access online library for download books to your device. You can get free download on free trial for lots of books categories. Our library is the biggest of these that have literally hundreds of thousands of different products categories represented. You will also see that there are specific sites catered to different product types or categories, brands or niches related with Gmc W4500 Manual. So depending on what exactly you are searching, you will be able to choose e books to suit your own need. Need to access completely for Campbell Biology Seventh Edition book? Access Ebook without any digging. And by having access to our ebook online or by storing it on your computer, you have convenient answers with Gmc W4500 Manual To get started finding Gmc W4500 Manual, you are right to find our website which has a comprehensive collection of books online. Our library is the biggest of these that have literally hundreds of thousands of different products represented. You will also see that there are specific sites catered to different categories or niches related with Gmc W4500 Manual So depending on what exactly you are searching, you will be able to choose ebook to suit your own need. Thank you for reading Gmc W4500 Manual. Maybe you have knowledge that, people have search numerous times for their favorite readings like this Gmc W4500 Manual, but end up in harmful downloads. Rather than reading a good book with a cup of coffee in the afternoon, instead they juggled with some harmful bugs inside their laptop. Gmc W4500 Manual is available in our book collection an online access to it is

set as public so you can download it instantly. Our digital library spans in multiple locations, allowing you to get the most less latency time to download any of our books like this one. Merely said, Gmc W4500 Manual is universally compatible with any devices to read.

Find Gmc W4500 Manual :

gorman rupp manuals 80 series

goldwing service manual gl1800

golf 7 gti owner manual

goldne morte deutscher dichter

goodrich maintenance manual part number 42305 3

gospel rhythm and blues hymns and spirituals for piano lillenas publications

google nexus instruction manual

golf scrimmages realistic practice games under pressure

gout other crystal arthropathies gout other crystal arthropathies

goudelsje ill rie reinderhoff

goodmans five star activity books level e

golfing with your eyes closed mastering visualization techniques for exceptional golf

good queen bess the story of elizabeth i of england

gossip girl it had to be you the gossip girl prequel

golfs sacred journey seven days at the links of utopia

Gmc W4500 Manual :

disney songs classical guitar standard notation t pdf 2023 - Dec 28 2021

web this disney songs classical guitar standard notation t pdf but end up in malicious downloads rather than enjoying a good book with a cup of coffee in the afternoon instead they cope with some malicious bugs inside their desktop computer disney songs classical guitar standard notation t pdf is available in our book collection an online

disney songs for classical guitar standard notation tab - Jul 03 2022

web guitar solo 20 songs carefully arranged for solo guitar in standard notation and tablature including baby mine beauty and the beast can you feel the love tonight chim chim cher ee colors of the wind a dream is a wish your heart makes god help

the outcasts i m wishing it s a small world little april shower mickey mouse

disney songs for classical guitar standard notation tab guitar - May 13 2023

web view the product disney songs for classical guitar standard notation tab series guitar solo medium format softcover contributors various

disney songs for classical guitar sheet music plus - Apr 12 2023

web standard notation tab composed by various guitar solo children disney movies softcover with guitar tablature 56 pages published by hal leonard hl 701753 item number hl 701753 isbn 9781423497929 9 0x12 0x0 195 inches

amazon com disney songs for fingerstyle guitar 15 classic songs - May 01 2022

web jul 1 2018 disney songs for fingerstyle guitar 15 classic songs arranged by solo guitar in standard notation and tablature paperback jul 1 2018 by bill piburn arranger 4 0 4 0 out of 5 stars 20 ratings

disney songs classical guitar standard notation t pdf - Jan 29 2022

web classical guitar music for the solo performer 20 popular songs superbly arranged in standard notation and tab by david jaggs disney goes classical disney songs for easy classical piano

colors of the wind disney songs for classical guitar standard - Oct 06 2022

web jul 1 2011 guitar solo 20 songs carefully arranged for solo guitar in standard notation and tablature including beauty and the beast can you feel the love tonight colors of the wind it s a small world so this is love the cinderella waltz some day my prince will come when you wish upon a star a whole new world you ll be in my

disney songs for classical guitar standard notation tab - Jul 15 2023

web jul 1 2011 guitar solo 20 songs carefully arranged for solo guitar in standard notation and tablature including beauty and the beast can you feel the love tonight colors of the wind it s a small world so this is love the cinderella waltz some day my prince will come when you wish upon a star a whole new world you ll be in my

disney songs for classical guitar standard notation tab pdf - Aug 16 2023

web jul 1 2011 summary guitar solo 20 songs carefully arranged for solo guitar in standard notation and tablature including beauty and the beast can you feel the love tonight colors of the wind it s a small world so this is love the cinderella waltz some day my prince will come when you wish upon a star a whole new world

disney songs for classical guitar songbook google books - Feb 10 2023

web guitar solo 20 songs carefully arranged for solo guitar in standard notation and tablature including beauty and the beast can you feel the love tonight colors of the wind it s a small world so this is love the cinderella waltz some day my prince will come when you wish upon a star a whole new world you ll be in my heart

disney songs for classical guitar standard notation tab - Dec 08 2022

web jul 1 2011 disney songs for classical guitar standard notation tab guitare kindle edition by hal leonard corporation
download it once and read it on your kindle device pc phones or tablets use features like bookmarks note taking and
highlighting while reading disney songs for classical guitar standard notation tab guitare

[disney songs disney songs for classical guitar guitar solo](#) - Jun 02 2022

web 20 songs carefully arranged for solo guitar in standard notation and tablature for full functionality of this site it is
necessary to enable javascript here are the

disney songs for classical guitar songbook standard notation - Mar 11 2023

web disney songs for classical guitar songbook standard notation tab ebook written by hal leonard corp read this book using
google play books app on your pc android ios devices download for offline reading highlight bookmark or take notes while
you read disney songs for classical guitar songbook standard notation tab

[disney songs for classical guitar songbook apple books](#) - Sep 05 2022

web 20 songs carefully arranged for solo guitar in standard notation and tablature including beauty and the beast can you
feel the love tonight colors of the wind it s a small world so this is love the cinderella waltz some day my prince will come
when you wish upon a star a whole new

disney songs for classical guitar standard notation tab - Nov 07 2022

web jul 1 2011 abebooks com disney songs for classical guitar standard notation tab 9781423497929 and a great selection
of similar new used and collectible books available now at great prices disney songs for classical guitar standard notation tab
9781423497929 abebooks

[disney songs for classical guitar google books](#) - Jan 09 2023

web guitar solo 20 songs carefully arranged for solo guitar in standard notation and tablature including beauty and the beast
can you feel the love tonight colors of the wind it s a small world so this is love the cinderella waltz some day my prince will
come when you wish upon a star a whole new world you ll be in my heart

disneysongsclassicalguitarstandardnotationt download only - Mar 31 2022

web classic rock for classical guitar first 50 disney songs you should play on the piano the illustrated treasury of disney songs
classical guitar music for the solo performer 20 popular songs superbly arranged in standard notation and tab by david jaggs
catalog of copyright entries the disney fake book classical guitar music in print

[disneysongsclassicalguitarstandardnotationt 2022](#) - Feb 27 2022

web standard notation and tablature including beauty and the beast can you feel the love tonight colors of the wind it s a
small disneysongsclassicalguitarstandardnotationt 3

disney songs for classical guitar standard notation - Aug 04 2022

web aug 9 2004 guitar solo 20 songs carefully arranged for solo guitar in standard notation and tablature including beauty and the beast can you feel the love tonight colors of the wind it s a small world so this is love the cinderella waltz some day my prince will come when you wish upon a star a whole new world you ll be in

disney songs for classical guitar standard notation tab scribd - Jun 14 2023

web jul 1 2011 guitar solo 20 songs carefully arranged for solo guitar in standard notation and tablature including beauty and the beast can you feel the love tonight colors of the wind it s a small world so this is love the cinderella waltz some day my prince will come when you wish upon a star a whole new world you ll be in my

calculo diferencial solis m panama - Nov 30 2021

web this online broadcast calculo diferencial solis m panama can be one of the options to accompany you bearing in mind having additional time it will not waste your time

calculo diferencial solis m panama uniport edu - Feb 02 2022

web aug 13 2023 seek to download and install the calculo diferencial solis m panama it is extremely easy then in the past currently we extend the member to purchase and make

calculo diferencial solis m panama pdf renewalcc - Oct 10 2022

web 2 calculo diferencial solis m panama 2022 02 18 publications the fourth edition of numerical methods for engineers continues the tradition of excellence it established as

calculo diferencial solis m panama pdf moodle morganintl - Dec 12 2022

web 2 calculo diferencial solis m panama 2023 01 30 edition also many more and more challenging problems are included the expanded breadth of engineering disciplines

calculo diferencial solis m panama pdf uniport edu - Nov 11 2022

web aug 17 2023 calculo diferencial solis m panama 2 9 downloaded from uniport edu ng on august 17 2023 by guest for Ø there are approximately 150 new challenging

existencias fundamentos de cálculo integral csuca - Jun 18 2023

web ejemplares similares fundamentos de cálculo diferencial e integral por solís m panamá publicado 2004 cálculo ii integral teoría 560 problemas resueltos 485 ejercicios

fundamentos de cálculo diferencial e integral - Aug 20 2023

web print 288 p il 21 cm panamá solís m irma r de robles incluye bibliografía calculo integrales 515 33 so45 1997 universidad tecnológica de panamá

[cálculo diferencial matemáticas khan academy](#) - Apr 16 2023

web aprende cálculo diferencial límites continuidad derivadas y aplicaciones de las derivadas

[calculo diferencial solis m panama 2022 dotnbm](#) - Jul 07 2022

web calculo diferencial solis m panama 1 calculo diferencial solis m panama calculo diferencial solis m panama downloaded from dotnbm com by guest solis lowery

cálculo diferencial uniandes - Jan 13 2023

web universidad de los andes vigilada mineducación reconocimiento como universidad decreto 1297 del 30 de mayo de 1964 reconocimiento personería jurídica resolución

calculo diferencial solis m panama copy tpc redmatters - Sep 09 2022

web calculo diferencial solis m panama snakes radical constructivism in mathematics education differential and integral calculus limnological methods for environmental

calculo diferencial solis m panama - Aug 08 2022

web calculo diferencial solis m panama is available in our book collection an online access to it is set as public so you can download it instantly our book servers hosts in multiple

[download free calculo diferencial solis m panama](#) - May 17 2023

web calculo diferencial solis m panama funciones mar 17 2021 el calculo diferencial apr 10 2023 l anne psychologique jun 07 2020 amrica latina oct 12 2020 ophthalmic

fundamentos de cálculo diferencial e integral udelas - Oct 22 2023

web fundamentos de cálculo diferencial e integral panamá solis irma r de robles por solis panamá autor colaborador es robles irma r de autor tipo de material

calculo diferencial solis m panama uniport edu - Jan 01 2022

web jul 17 2023 calculo diferencial solis m panama 2 8 downloaded from uniport edu ng on july 17 2023 by guest they need to have the opportunity to reflect on their activities this

calculo diferencial solis m panama customizer monos - Apr 04 2022

web 4 calculo diferencial solis m panama 2023 01 05 spans all developmental initiatives in europe asia and america this book gives a better understanding of the development

calculadora de ecuaciones diferenciales de variables separables - May 05 2022

web resolver ecuaciones diferenciales de variables separables paso por paso separable differential equation calculator es entradas de blog de symbolab relacionadas

calculo diferencial solis m panama uniport edu - Mar 03 2022

web sep 3 2023 calculo diferencial solis m panama and numerous books collections from fictions to scientific research in any way accompanied by them is this calculo

calculo diferencial solis m panama pdf pdf red ortax - Jul 19 2023

web title calculo diferencial solis m panama pdf pdf red ortax org created date 9 14 2023 10 25 00 pm

cálculo diferencial wikipedia la enciclopedia libre - Mar 15 2023

web el cálculo diferencial es una parte del cálculo infinitesimal y del análisis matemático que estudia cómo cambian las funciones continuas según sus variables cambian de estado

calculo diferencial solis m panama copy retailer bonide - Jun 06 2022

web calculo diferencial solis m panama 3 3 particularly in the early 2000s by setting the bar unrealistically high governments and analysts made trade policies an easy target for

ecuaciones diferenciales cálculo integral khan academy - Feb 14 2023

web las ecuaciones diferenciales son ecuaciones que incluyen tanto una función como su derivada de cualquier orden por ejemplo y es una ecuación diferencial aprende

calculo diferencial solis m panama pdf 2023 support ortax - Sep 21 2023

web calculo diferencial solis m panama pdf upload mita z paterson 2 5 downloaded from support ortax org on september 21 2023 by mita z paterson artesanos y piedras

un tha c a tre de situations pdf uniport edu - Feb 09 2023

web jul 5 2023 un tha c a tre de situations 1 3 downloaded from uniport edu ng on july 5 2023 by guest un tha c a tre de situations recognizing the artifice ways to acquire

un théâtre de situations by jean paul sartre michel contat - Jan 28 2022

web april 5th 2020 théâtre de chambre s apparente à un corpus d exercices d écriture théâtrale un mot pour un autre parodie une scène banale de vaudeville en remplaçant

un tha c a tre de situations pdf 2023 dallinradams com - Dec 07 2022

web apr 9 2023 discover the broadcast un tha c a tre de situations pdf that you are looking for it will no question squander the time however below bearing in mind you

deux tha c a tres de situations goodreads - Jun 13 2023

web a part les diffa c rences de perspective dans la mise en oeuvre des tha mes existentialistes deux tha c a tres de situations by mehmet emin Özcan

un tha c a tre de situations pdf copy - Aug 03 2022

web as this un tha c a tre de situations pdf it ends taking place monster one of the favored ebook un tha c a tre de situations pdf collections that we have this is why you

un tha c a tre de situations pdf copy - Apr 11 2023

web mar 20 2023 un tha c a tre de situations pdf thank you very much for downloading un tha c a tre de situations pdf maybe you have knowledge that people have look

un tha c a tre de situations pdf uniport edu - Oct 05 2022

web may 13 2023 importants les pressions la législation l efficacité des aires protégées les mesures d incitation communautaires en faveur de la conservation et les réponses

where to download un tha c a tre de situations free - Sep 04 2022

web aug 2 2023 un tha c a tre de situations is available in our digital library an online access to it is set as public so you can download it instantly our digital library hosts in

un tha c a tre de situations pdf pqr uiaf gov co - Mar 10 2023

web this un tha c a tre de situations as one of the most working sellers here will utterly be along with the best options to review minutes of proceedings and evidence canada

un théâtre de situations semantic scholar - Jul 14 2023

web l hypothese d une esthetique du cynisme dans le théâtre contemporain s appuie sur un constat empirique au sein d un théâtre qui s autoproclame bien souvent politique sans

un théâtre de situations by jean paul sartre michel contat - Nov 25 2021

web un théâtre de situations by jean paul sartre michel contat michel rybalka un théâtre de situations by jean paul sartre michel contat michel rybalka trending how to

un théâtre de situations by jean paul sartre michel contat - Jul 02 2022

web regard eddie cudi thtre de chambre by jean tardieu goodreads 1995 une anne de rap sudiste mixtape abcdr du son credit card generator online credit card generator

un tha c a tre de situations pdf copy red ortax - Jan 08 2023

web ana mara salinas de fras 2012 01 19 government responses to terrorism can conflict with the protection of human rights and the rule of law by comprehensively looking at all

un théâtre de situations by jean paul sartre michel contat - Dec 27 2021

web adv an ce c are p la n p eopl e wi adv an c l homme qui voulait tre heureux by laurent gounelle april 27th 2020 the good of boredom andreas elpidorou amp de

povestea cazurilor din limba turca turca la un ceai - Apr 30 2022

web feb 2 2017 am inceput de putin timp sa invat limba turca si chiar aveam dificultati in privinta cazurilor subst chiar daca am 53 de ani consider lb turca un hoby ma simnt

une situation dans laquelle traduction anglaise linguee - Mar 30 2022

web cadre general la création du marché unique à partir du 1er janvier 1993 et l'abolition des contrôles douaniers aux frontières intracommunautaires créent une nouvelle

un théâtre de situations by jean paul sartre michel contat - Feb 26 2022

web february 20th 2020 defining the role of modular stem designs in the defining the role of modular stem designs in the
fröhlich ja 1 mctighe t 2 junctions

tureng situation türkçe İngilizce sözlük - Jun 01 2022

web İngilizce türkçe online sözlük tureng kelime ve terimleri çevir ve farklı aksanlarda sesli dinleme situation hal unsettled
political situation karışık siyasal durum ne demek

un théâtre de situations by jean paul sartre michel contat - Nov 06 2022

web speakers yet give the children enough to get into just one thing lesson 2 when the lady is telling us that there is no river
etc she is using de but the ppt slide has the word un une

un théâtre de situations jean paul sartre google books - Aug 15 2023

web in red gloves les mains sales 1948 sartre examines the pragmatic implications of the individual involved in political
action through the mechanism of the communist party and

un thacatre de situations pdf 2015 ieeeglobalsip org - May 12 2023

web apr 7 2023 des esprits cet ouvrage est une relecture fine de ce qu'est la vie même de la culture dans sa sélectivité
capricieuse introduction chapitre 1 transmission et

situation dans laquelle traduction anglaise linguee - Sep 23 2021

web négligence une situation dans laquelle une personne est chargée de fournir des soins ou de l'aide à une personne âgée
mais ne le fait pas bc rcmp ca bc rcmp ca neglect

un thacatre de situations pdf full pdf old thecarguy com - Oct 25 2021

web ana maría salinas de frías 2012 01 19 government responses to terrorism can conflict with the protection of human
rights and the rule of law by comprehensively looking at all