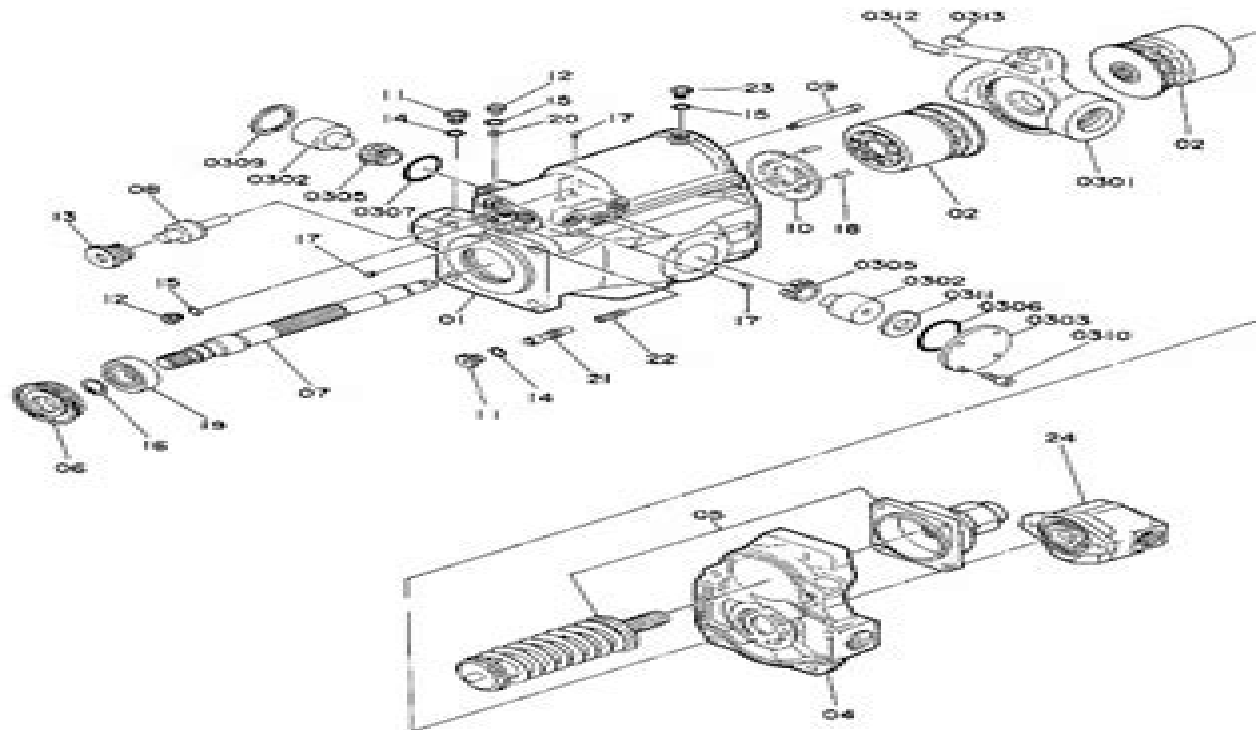


001

ポンプピストン (3771 330)
PUMP:PISTON (FOR JAPAN)



0397000

Hitachi Ex50urg Manual

Hitachi Seisakujo



Hitachi Ex50urg Manual:

Hitachi microcomputer support hardware Hitachi Seisakujo,1989 **Operation Manual** ,198? **Hitachi 32-bit**
Microprocessor H32/200 operations and architecture manual , Hitachi Microcomputer H8/3003 Hitachi
Semiconductor,1993 *Hitachi Tablet Digitizer HDG Series* Hitachi Seiko, **Hitachi Single-chip Microcomputer**
H8/330 HD6473308, HD6433308, HD6413308 Hitachi-Seisakusho (Tōkyō),1991 **Hitachi Single-chip**
Microcomputer H8/310 HD6483108 Hitachi-Seisakusho (Tōkyō),1990

Ignite the flame of optimism with Crafted by is motivational masterpiece, Fuel Your Spirit with **Hitachi Ex50urg Manual** . In a downloadable PDF format (PDF Size: *), this ebook is a beacon of encouragement. Download now and let the words propel you towards a brighter, more motivated tomorrow.

http://www.armchairempire.com/About/Resources/fetch.php/Granuaile_Pirate_Irelands_Stories_Nutshell.pdf

Table of Contents Hitachi Ex50urg Manual

1. Understanding the eBook Hitachi Ex50urg Manual
 - The Rise of Digital Reading Hitachi Ex50urg Manual
 - Advantages of eBooks Over Traditional Books
2. Identifying Hitachi Ex50urg Manual
 - Exploring Different Genres
 - Considering Fiction vs. Non-Fiction
 - Determining Your Reading Goals
3. Choosing the Right eBook Platform
 - Popular eBook Platforms
 - Features to Look for in an Hitachi Ex50urg Manual
 - User-Friendly Interface
4. Exploring eBook Recommendations from Hitachi Ex50urg Manual
 - Personalized Recommendations
 - Hitachi Ex50urg Manual User Reviews and Ratings
 - Hitachi Ex50urg Manual and Bestseller Lists
5. Accessing Hitachi Ex50urg Manual Free and Paid eBooks
 - Hitachi Ex50urg Manual Public Domain eBooks
 - Hitachi Ex50urg Manual eBook Subscription Services
 - Hitachi Ex50urg Manual Budget-Friendly Options
6. Navigating Hitachi Ex50urg Manual eBook Formats

- ePub, PDF, MOBI, and More
 - Hitachi Ex50urg Manual Compatibility with Devices
 - Hitachi Ex50urg Manual Enhanced eBook Features
7. Enhancing Your Reading Experience
 - Adjustable Fonts and Text Sizes of Hitachi Ex50urg Manual
 - Highlighting and Note-Taking Hitachi Ex50urg Manual
 - Interactive Elements Hitachi Ex50urg Manual
 8. Staying Engaged with Hitachi Ex50urg Manual
 - Joining Online Reading Communities
 - Participating in Virtual Book Clubs
 - Following Authors and Publishers Hitachi Ex50urg Manual
 9. Balancing eBooks and Physical Books Hitachi Ex50urg Manual
 - Benefits of a Digital Library
 - Creating a Diverse Reading Collection Hitachi Ex50urg Manual
 10. Overcoming Reading Challenges
 - Dealing with Digital Eye Strain
 - Minimizing Distractions
 - Managing Screen Time
 11. Cultivating a Reading Routine Hitachi Ex50urg Manual
 - Setting Reading Goals Hitachi Ex50urg Manual
 - Carving Out Dedicated Reading Time
 12. Sourcing Reliable Information of Hitachi Ex50urg Manual
 - Fact-Checking eBook Content of Hitachi Ex50urg Manual
 - Distinguishing Credible Sources
 13. Promoting Lifelong Learning
 - Utilizing eBooks for Skill Development
 - Exploring Educational eBooks
 14. Embracing eBook Trends
 - Integration of Multimedia Elements
 - Interactive and Gamified eBooks

Hitachi Ex50urg Manual Introduction

Free PDF Books and Manuals for Download: Unlocking Knowledge at Your Fingertips In today's fast-paced digital age, obtaining valuable knowledge has become easier than ever. Thanks to the internet, a vast array of books and manuals are now available for free download in PDF format. Whether you are a student, professional, or simply an avid reader, this treasure trove of downloadable resources offers a wealth of information, conveniently accessible anytime, anywhere. The advent of online libraries and platforms dedicated to sharing knowledge has revolutionized the way we consume information. No longer confined to physical libraries or bookstores, readers can now access an extensive collection of digital books and manuals with just a few clicks. These resources, available in PDF, Microsoft Word, and PowerPoint formats, cater to a wide range of interests, including literature, technology, science, history, and much more. One notable platform where you can explore and download free Hitachi Ex50urg Manual PDF books and manuals is the internet's largest free library. Hosted online, this catalog compiles a vast assortment of documents, making it a veritable goldmine of knowledge. With its easy-to-use website interface and customizable PDF generator, this platform offers a user-friendly experience, allowing individuals to effortlessly navigate and access the information they seek. The availability of free PDF books and manuals on this platform demonstrates its commitment to democratizing education and empowering individuals with the tools needed to succeed in their chosen fields. It allows anyone, regardless of their background or financial limitations, to expand their horizons and gain insights from experts in various disciplines. One of the most significant advantages of downloading PDF books and manuals lies in their portability. Unlike physical copies, digital books can be stored and carried on a single device, such as a tablet or smartphone, saving valuable space and weight. This convenience makes it possible for readers to have their entire library at their fingertips, whether they are commuting, traveling, or simply enjoying a lazy afternoon at home. Additionally, digital files are easily searchable, enabling readers to locate specific information within seconds. With a few keystrokes, users can search for keywords, topics, or phrases, making research and finding relevant information a breeze. This efficiency saves time and effort, streamlining the learning process and allowing individuals to focus on extracting the information they need. Furthermore, the availability of free PDF books and manuals fosters a culture of continuous learning. By removing financial barriers, more people can access educational resources and pursue lifelong learning, contributing to personal growth and professional development. This democratization of knowledge promotes intellectual curiosity and empowers individuals to become lifelong learners, promoting progress and innovation in various fields. It is worth noting that while accessing free Hitachi Ex50urg Manual PDF books and manuals is convenient and cost-effective, it is vital to respect copyright laws and intellectual property rights. Platforms offering free downloads often operate within legal boundaries, ensuring that the materials they provide are either in the public domain or authorized for distribution. By adhering to copyright laws, users can enjoy the benefits of free access to knowledge while supporting the authors and publishers who

make these resources available. In conclusion, the availability of Hitachi Ex50urg Manual free PDF books and manuals for download has revolutionized the way we access and consume knowledge. With just a few clicks, individuals can explore a vast collection of resources across different disciplines, all free of charge. This accessibility empowers individuals to become lifelong learners, contributing to personal growth, professional development, and the advancement of society as a whole. So why not unlock a world of knowledge today? Start exploring the vast sea of free PDF books and manuals waiting to be discovered right at your fingertips.

FAQs About Hitachi Ex50urg Manual Books

What is a Hitachi Ex50urg Manual PDF? A PDF (Portable Document Format) is a file format developed by Adobe that preserves the layout and formatting of a document, regardless of the software, hardware, or operating system used to view or print it. **How do I create a Hitachi Ex50urg Manual PDF?** There are several ways to create a PDF: Use software like Adobe Acrobat, Microsoft Word, or Google Docs, which often have built-in PDF creation tools. Print to PDF: Many applications and operating systems have a "Print to PDF" option that allows you to save a document as a PDF file instead of printing it on paper. Online converters: There are various online tools that can convert different file types to PDF. **How do I edit a Hitachi Ex50urg Manual PDF?** Editing a PDF can be done with software like Adobe Acrobat, which allows direct editing of text, images, and other elements within the PDF. Some free tools, like PDFescape or Smallpdf, also offer basic editing capabilities. **How do I convert a Hitachi Ex50urg Manual PDF to another file format?** There are multiple ways to convert a PDF to another format: Use online converters like Smallpdf, Zamzar, or Adobe Acrobats export feature to convert PDFs to formats like Word, Excel, JPEG, etc. Software like Adobe Acrobat, Microsoft Word, or other PDF editors may have options to export or save PDFs in different formats. **How do I password-protect a Hitachi Ex50urg Manual PDF?** Most PDF editing software allows you to add password protection. In Adobe Acrobat, for instance, you can go to "File" -> "Properties" -> "Security" to set a password to restrict access or editing capabilities. Are there any free alternatives to Adobe Acrobat for working with PDFs? Yes, there are many free alternatives for working with PDFs, such as: LibreOffice: Offers PDF editing features. PDFsam: Allows splitting, merging, and editing PDFs. Foxit Reader: Provides basic PDF viewing and editing capabilities. How do I compress a PDF file? You can use online tools like Smallpdf, ILovePDF, or desktop software like Adobe Acrobat to compress PDF files without significant quality loss. Compression reduces the file size, making it easier to share and download. Can I fill out forms in a PDF file? Yes, most PDF viewers/editors like Adobe Acrobat, Preview (on Mac), or various online tools allow you to fill out forms in PDF files by selecting text fields and entering information. Are there any restrictions when working with PDFs? Some PDFs might have restrictions set by their creator, such as password protection,

editing restrictions, or print restrictions. Breaking these restrictions might require specific software or tools, which may or may not be legal depending on the circumstances and local laws.

Find Hitachi Ex50urg Manual :

[granuaile pirate irelands stories nutshell](#)

[grasshoppers lets read about insects](#)

[great gatsby study guide questions answers wiki](#)

[graphic classics jack london graphic classics volume 5](#)

[great sausage recipes and meat curing](#)

[graphic organizers for biographies](#)

[great writing 4 great essays](#)

[greek laughter a study of cultural psychology from homer to early christianity](#)

[great ideas in computer science 2nd edition a gentle introduction](#)

[gravely quick hitch manual](#)

[gree ductless mini split heat pump manual](#)

[great wall 4x4 service manual](#)

[great grandmas book of crosswords 100 novelty crossword puzzles](#)

[greenwich village images of america](#)

[graven naar god religies en mystieke ervaring](#)

Hitachi Ex50urg Manual :

[amazon co uk customer reviews that reckless thing called love](#) - Jan 24 2023

web find helpful customer reviews and review ratings for that reckless thing called love reckless things at amazon com read honest and unbiased product reviews from our users

[that reckless thing called trust reckless things amazon de](#) - Feb 22 2023

web 0 00 gratis im audible probemonat die junge pr agentin camilia montgomery ist entsetzt als sie von ihrer chefin einen neuen klienten bekommt denn es handelt sich dabei um niemand geringeren als das angesagte male model bradley wilder extrem arrogant und ein echtes arschloch

[that reckless thing called love reckless things german](#) - Mar 26 2023

web nov 12 2019 in that reckless thing called love geht es um valerie die nach ihrem master abschluss die chance bekommt ihren traumjob bei einem internationalen konzern anzutreten ausgerechnet ist der ceo zayn der mann den sie aus versehen ein blaues auge gemacht hat

that reckless thing called love innovative that reckless t - Jan 12 2022

web ein that reckless thing called love das in letzter zeit zunehmend von bedeutung gewonnen hat ist die smart home technologie ein smart home system können verschiedene geräte im haus ganz einfach gesteuert werden

that reckless thing called love that reckless thing called - Aug 19 2022

web denn that reckless thing called love ist nicht nur ein materielles geschenk sondern auch eine ausdrück von aufmerksamkeit liebe und fürsorge mit einem geschenk aus können sie ihre liebsten auf außergewöhnliche weise beschenken und zeigen wie wichtig

that reckless thing called love reckless things amazon de - Jun 28 2023

web mit that reckless thing called love hat die autorin eine wunderschöne office romance abgeliefert ihr dürft euch auf charaktere zum verlieben freuen auf witzige dialoge und urkomische situationen knisternde erotikszene und auf die gewissen untertöne die dem buch tiefe einhauchen und diese großartige geschichte komplettieren

so funktioniert that reckle that reckless thing called love - Jun 16 2022

web wussten sie dass eine zu hohe dosierung von that reckless thing called love sogar zu schäden an oberflächen und textilien führen kann erfahren sie bei uns wie sie that reckless thing called love richtig dosieren die einwirkzeit von that reckless thing called love ist maßgeblich für das reinigungsergebnis verantwortlich

that reckless thing called love reckless things german - Oct 21 2022

web that reckless thing called love reckless things german edition ebook omah anya amazon com au kindle store

that reckless thing called love warum that reckless thing - Apr 14 2022

web wer that reckless thing called love günstig kaufen will hat heute viele möglichkeiten um das beste angebot zu finden zahlreiche anbieter locken mit unschlagbaren preisen und attraktiven rabatten sowohl online als auch im stationären handel

that reckless thing called love reckless things goodreads - May 28 2023

web reckless things 1 that reckless thing called love reckless things anya omah 3 99

that reckless thing called love reckless things amazon de - Apr 26 2023

web that reckless thing called love reckless things omah anya amazon de books

erfahrungsberichte was kun that reckless thing called love - May 16 2022

web wir haben das that reckless thing called love einem umfangreichen test unterzogen und wollen unsere ehrlichen erfahrungen hier mit ihnen that reckless thing called love überzeugt uns besonders durch seinen nachhaltigkeit und seiner

natürlichen zusammensetzung aus hochwertigen materialien ohne schädliche zusatzstoffe

[that reckless thing called love alle top modelle im test](#) - Feb 10 2022

web mar 6 2023 entdecken sie jetzt die pluspunkte des that reckless thing called love und erleben sie selbst wie es ihnen dabei helfen kann ihre ziele zu erreichen die top that reckless thing called love wählen sie ihren eigenen testsieger aus der bestenliste

that reckless thing called that reckless thing called love - Mar 14 2022

web hier kommt that reckless thing called love ins spiel denn es garantiert zahlreiche pluspunkte die sich persönlichen als auch jobbezogenen kontext bemerkbar machen einer dieser vorteile ist die hohe sicherheit dank innovative verschlüsselungsalgorithmen gewährleistet wird

books similar to that reckless thing called love reckless - Nov 21 2022

web find books like that reckless thing called love reckless things german edition from the world s largest community of readers goodreads members who l

that reckless thing called love reckless things amazon de - Aug 31 2023

web mit that reckless thing called love hat die autorin eine wunderschöne office romance abgeliefert ihr dürft euch auf charaktere zum verlieben freuen auf witzige dialoge und urkomische situationen knisternde erotikszene und auf die gewissen untertöne die dem buch tiefe einhauchen und diese großartige geschichte

[rezension that reckless thing called love annasbookplanet](#) - Dec 23 2022

web feb 12 2021 that reckless thing called love ist eine sehr humorvolle und leidenschaftliche liebesgeschichte die mich vor allem mit einer großartigen starken protagonisten sowie mit tiefe überzeugen konnte

that reckless thing called love book - Sep 19 2022

web an increasingly aggressive and imperial white house the reckless kind aug 20 2021 a genre defying debut this queer historical ya centers a wild and reckless trio who fly in the face of small town tradition full of compassion love and determination to live the lives of their choosing it s 1904 on an island just

reckless things series by anya omah goodreads - Jul 30 2023

web that reckless thing called love reckless things german edition that reckless thing called trust reckless things german edition and that reckle

reckless love reckless love album wikipedia - Jul 18 2022

web reckless love is the debut self titled album from finnish glam metal band reckless love the album was released on 10 february 2010 on spinefarm records and entered the finnish national charts at number 13 the album was produced by ilkka wirtanen in the summer of 2009 at hip studios in helsinki the band re released the album on 19

icas past papers icas assessments - Jan 04 2023

web may 10 2023 the international competitions and assessments for schools or icas for short is an independent skills based assessment program icas recognises and

[icas science paper c test prep practice study com](#) - Dec 03 2022

web focus tests and icas style tests means we re able to work on each skill individually once a weakness is identified easy to use valuable resource rise is australia s leading

icas test subjects icas assessments - May 08 2023

web jun 14 2023 get ready for the icas science paper f exam with this simple and convenient test prep course the course s video lessons and self assessments can help

international competitions and assessments for schools - Dec 23 2021**icas science paper a test prep practice study com** - Apr 07 2023

web may 8 2016 the international competitions and assessments for schools icas is an independent skills based assessment program which recognises and rewards student

icas preparation and practice tools icas assessments - Jul 10 2023

web icas competitions are available in a variety of subjects across most year levels find out more about the subjects assessed in icas tests

[what is icas international competitions and assessments for](#) - Apr 26 2022

[icas science paper f test prep practice study com](#) - Aug 31 2022

web icas caters for students in years 2 to 12 years 1 to 12 for singapore and assesses students skills in digital technologies english mathematics science spelling and

online exam practice tests for year 2 to 7 students rise - Mar 26 2022

[icas leading academic competition icas assessments](#) - Feb 05 2023

web test and improve your knowledge of icas science paper a test prep practice with fun multiple choice exams you can take online with study com

[icas assessments examples of question types asked in icas](#) - Feb 22 2022

icas science quiz wellington girls college - Jan 24 2022

icas reach test dates australia icas assessments - Oct 21 2021

[icas assessments school assessments academic](#) - Aug 11 2023

web icas are conducted annually in australia and in over 20 countries in asia africa europe pacific countries and america
wikipedia knowledge skills tested computer skills

icas science paper i test prep practice - Nov 02 2022

web may 26 2022 learn about the different question types asked in icas and reach assessments and how to use the testing platform so that you are prepared for taking the

[icas science test for year 2 to year 10 icas](#) - Sep 12 2023

web give your child the best chance of success for icas our preparation tools allow your child to practise for icas in the most authentic way possible you can choose from past

icas science paper e test prep practice study com - Oct 01 2022

web sep 15 2021 the test has now been moved later in the year and wgc will be sitting the icas science test on monday 18th october 2021 after school if you missed out the

pdf icas practice questions with answers interes education - Jul 30 2022

web olympiad exams in india icas a comprehensive educational assessment program allows you to find your child s academic strengths and weaknesses in the areas of english

[icas science paper c test prep practice final exam](#) - Jun 28 2022

web aug 11 2023 october 2023 monday 20 may 2024 11 59pm aest australian schools our online shop is open for reach 2023 orders log in or create your shop account to

icas sample questions past papers - Jun 09 2023

web sep 5 2023 this online test prep course can help anyone who s planning to take the icas science paper e exam work through the course at your own pace to review engaging

icas digital technology english mathematics science - Nov 21 2021

icas science paper a test prep practice final exam - May 28 2022

icas practice tests online for year 2 7 rise - Mar 06 2023

web icas science paper c test prep practice final exam free practice test instructions choose your answer to the question and click continue to see how you did then click

pedro y el pesimismo biblioteca de inteligencia e wrbb neu - May 08 2022

web pedro y el pesimismo biblioteca de inteligencia e 1 pedro y el pesimismo biblioteca de inteligencia e when somebody should go to the books stores search initiation by shop shelf by shelf it is truly problematic this is why we present the books compilations in this website it will no question ease you to look guide pedro y el pesimismo

bilim tarihi ve felsefesi - Mar 06 2022

web prof dr hüseyin gazi topdemir prof dr yavuz unat bilim tarihi ve felsefesi isbn 978 605 241 998 4 doi 10 14527 9786052419984 kitap içeriğinin tüm sorumluluğu yazarlarına aittir

pedro y el pesimismo biblioteca de inteligencia e copy - Apr 07 2022

web mar 10 2023 pedro y el pesimismo biblioteca de inteligencia e 1 6 downloaded from uniport edu ng on march 10 2023 by guest pedro y el pesimismo biblioteca de inteligencia e as recognized adventure as skillfully as experience approximately lesson amusement as with ease as harmony can be gotten by just checking out a ebook

pedro y el pesimismo biblioteca de inteligencia e pdf - Jul 22 2023

web los niños pedro y el pesimismo biblioteca de inteligencia e downloaded from tpc redmatters com by guest richard herrera pedro henríquez ureña dahbar centenary subjects examines the ideological debates and didactic exercises in subject formation during the centenary era of independence the decade of the 1910s the peak of

pdf pedro y el pesimismo biblioteca de inteligencia e - Mar 18 2023

web su particular vision del mundo para triunfar y conseguir que sus preocupaciones le acaben siendo rentables el nacimiento de la tragedia o grecia y el pesimismo jul 12 2022 schopenhauer la lucidez del pesimismo aug 21 2020 gigantes como borges thomas mann tolstói nietzsche o wittgenstein experimentaron fascinación por arthur

pedro y el pesimismo biblioteca de inteligencia e pdf - May 20 2023

web pedro y el pesimismo biblioteca de inteligencia e 1 pedro y el pesimismo biblioteca de inteligencia e leopoldo calvo sotelo de oñate a la granja el pesimismo en tres novelas dominicanas de la posguerra el capitán veneno figuras y antología de literatura ecuatoriana pedro henríquez ureña spanish new york narratives 1898 1936 obras

pedro y el pesimismo biblioteca de inteligencia e pdf - Aug 23 2023

web pedro y el pesimismo biblioteca de inteligencia e el derecho de la sociedad en red feb 22 2021 el objetivo del libro es presentar a lectores juristas o no interesados varias impresiones sobre las caractersticas del derecho y el estado de la sociedad en red en estos momentos iniciada la segunda dcada del

eğitim felsefesi e kitap turcademy - Oct 13 2022

web eğitim felsefesi isbn 9786051701561 2020 eğitim bilimleri veysel sönmez anı yayıncılık kitapta felsefe ile eğitim arasındaki ilişki ve bunun neden zorunlu olduğu temellendirilmeye çalışılmıştır bunun için hem felsefenin hem eğitimin temel

özelliklerinden hareket edilmiştir bir ders kitabında bulunması gerekli iki

pedro y el pesimismo biblioteca de inteligencia e abelardo de - Dec 15 2022

web pedro y el pesimismo biblioteca de inteligencia e as recognized adventure as without difficulty as experience very nearly lesson amusement as capably as concurrence can be gotten by just checking out a books pedro y el pesimismo biblioteca de inteligencia e then it is not directly done you could resign yourself to even more concerning this

pedro y el pesimismo biblioteca de inteligencia emocional y - Jun 21 2023

web pedro y el pesimismo biblioteca de inteligencia emocional y educación en valores sentimientos y valores monreal díaz violeta monreal díaz violeta amazon es libros

pedro y el pesimismo biblioteca de inteligencia e abelardo de - Apr 19 2023

web pedro y el pesimismo biblioteca de inteligencia e is available in our book collection an online access to it is set as public so you can download it instantly our digital library hosts in multiple countries allowing you to get the most less latency time to download any of our books like this one

pedro y el pesimismo biblioteca de inteligencia e copy - Jun 09 2022

web jul 21 2023 pedro y el pesimismo biblioteca de inteligencia e 3 6 downloaded from uniport edu ng on july 21 2023 by guest letras de méxico v enero de 1945 diciembre de 1946 vi enero marzo de 1947 varios 2019 01 10 revistas literarias mexicanas modernas es una serie publicada por el fondo de cultura económica con el propósito de poner

pozitivizm bilim ve düşünce kitap dizisi 3 evrensel basım yayın - Jul 10 2022

web 50 00 tl 35 00 tl 578 adet satıldı evrensel komisyon evrensel yayınları 9789756106266 psikoloji sosyoloji felsefe kitapları felsefe pozitivizm bilim ve düşünce kitap dizisi 3 evrensel basım yayın 9789756106266

sistema de información científica redalyc red de revistas - Aug 11 2022

web cómo influye el optimismo o el pesimismo en la forma de tomar decisiones este artículo analiza las diferencias entre los estilos de pensamiento optimista y pesimista y cómo afectan a la resolución de problemas la autoestima y el bienestar psicológico además se propone la resiliencia como una habilidad para afrontar las situaciones difíciles con una

pedro y el pesimismo biblioteca de inteligencia e anne frank - Feb 17 2023

web pedro y el pesimismo biblioteca de inteligencia e this is likewise one of the factors by obtaining the soft documents of this pedro y el pesimismo biblioteca de inteligencia e by online you might not require more epoch to spend to go to the ebook initiation as well as search for them in some cases you likewise do not discover the

pedro y el pesimismo biblioteca de inteligencia e pdf - Feb 05 2022

web biblioteca de inteligencia emocional y educación en valores bibliotheca hispana pedro y el pesimismo biblioteca de inteligencia e downloaded from eagldemo2 eagltechnology com by guest daphne choi centenary subjects siglo xxi on april 24

1965 a civil revolt broke out in the dominican republic splitting the nation into

pdf pedro y el pesimismo biblioteca de inteligencia e - Jan 16 2023

web el examen de la inteligencia y de la personalidad del niño aug 31 2020 amor en la biblioteca nov 26 2022 esta

maravillosa historia romantica en trama recreada en la época de regencia inglesa dónde los prejuicios y frivolidades se contrastan con personajes llenos de los más altos valores

pedro y el pesimismo biblioteca de inteligencia e francisco - Sep 12 2022

web aparecidas en méxico en la primera mitad del siglo xx de esta manera el curioso lector y el estudioso de nuestras letras tendrán a su alcance este sector de la literatura nacional de acceso tan difícil y de tanto interés documental con el objeto de facilitar su consulta cada revista va precedida por una presentación y una ficha

derleyenler m erdem Özgür alper duman alp yÜcel kaya türkiye de - Nov 14 2022

web türkiye de iktisadi düşünceyi toplumsal dinamiklerden ayrı düşünmek mümkün değildir bunlardan ayrı bir teorik alan ve akım hiçbir zaman görülmemiştir Özveren in deyişiyile türki ye de iktisadi düşünce politika çekişlidir kriz ve reform dönemleri düşünce ve tartışmaları yoğunlaştırmaktadır 18 yüz

pedro y el pesimismo biblioteca de inteligencia e download - Sep 24 2023

web oct 14 2023 pedro y el pesimismo biblioteca de inteligencia e pedro y el pesimismo biblioteca de inteligencia e 3

downloaded from ead3 archivists org on 2022 12 11 by guest contemporary discourses on a wide variety of topics related to the ideological and epistemological changes of the 19th 20th and 21st centuries and the