



Builder Top Vent Direct Vent

Models: 33LDVT, 36LDVT
39LDVT, 43LDVT

INSTALLER/CONSUMER SAFETY INFORMATION

PLEASE READ THIS MANUAL
BEFORE INSTALLING AND USING
APPLIANCE

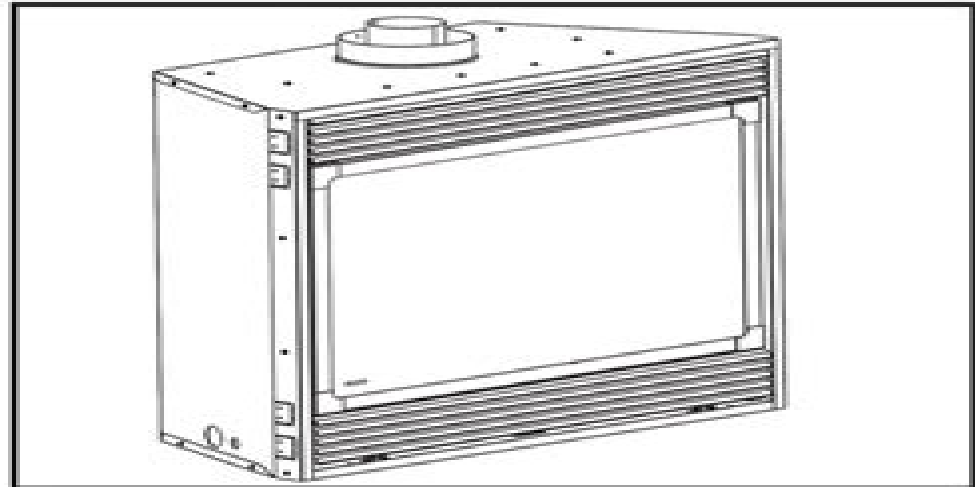
WARNING!
IF THE INFORMATION IN THIS
MANUAL IS NOT FOLLOWED
EXACTLY, A FIRE OR EXPLOSION
MAY RESULT CAUSING
PROPERTY DAMAGE, PERSONAL
INJURY OR LOSS OF LIFE.

FOR YOUR SAFETY
Installation and service must be
performed by a qualified installer,
service agency or the gas supplier.

WHAT TO DO IF YOU SMELL GAS:

- Do not try to light any appliance.
- Do not touch any electric switch; do not use any phone in your building.
- Immediately call your gas supplier from your neighbor's phone. Follow the gas suppliers instructions.
- If you cannot reach your gas supplier call the fire department.

**DO NOT STORE
OR USE GASOLINE OR OTHER
FLAMMABLE VAPORS AND
LIQUIDS IN THE VICINITY OF THIS
OR ANY OTHER APPLIANCE.**



Installation Instructions and Homeowner's Manual



INSTALLER: Leave this manual with the appliance.
CONSUMER: Retain this manual for future reference.

Majestic Fireplace Owners Manual

AW Chickering



Majestic Fireplace Owners Manual:

Ignite the flame of optimism with is motivational masterpiece, Fuel Your Spirit with **Majestic Fireplace Owners Manual** . In a downloadable PDF format (*), this ebook is a beacon of encouragement. Download now and let the words propel you towards a brighter, more motivated tomorrow.

http://www.armchairempire.com/About/scholarship/Download_PDFS/ironclad_user_manual.pdf

Table of Contents Majestic Fireplace Owners Manual

1. Understanding the eBook Majestic Fireplace Owners Manual
 - The Rise of Digital Reading Majestic Fireplace Owners Manual
 - Advantages of eBooks Over Traditional Books
2. Identifying Majestic Fireplace Owners Manual
 - Exploring Different Genres
 - Considering Fiction vs. Non-Fiction
 - Determining Your Reading Goals
3. Choosing the Right eBook Platform
 - Popular eBook Platforms
 - Features to Look for in an Majestic Fireplace Owners Manual
 - User-Friendly Interface
4. Exploring eBook Recommendations from Majestic Fireplace Owners Manual
 - Personalized Recommendations
 - Majestic Fireplace Owners Manual User Reviews and Ratings
 - Majestic Fireplace Owners Manual and Bestseller Lists
5. Accessing Majestic Fireplace Owners Manual Free and Paid eBooks
 - Majestic Fireplace Owners Manual Public Domain eBooks
 - Majestic Fireplace Owners Manual eBook Subscription Services
 - Majestic Fireplace Owners Manual Budget-Friendly Options
6. Navigating Majestic Fireplace Owners Manual eBook Formats

- ePub, PDF, MOBI, and More
 - Majestic Fireplace Owners Manual Compatibility with Devices
 - Majestic Fireplace Owners Manual Enhanced eBook Features
7. Enhancing Your Reading Experience
 - Adjustable Fonts and Text Sizes of Majestic Fireplace Owners Manual
 - Highlighting and Note-Taking Majestic Fireplace Owners Manual
 - Interactive Elements Majestic Fireplace Owners Manual
 8. Staying Engaged with Majestic Fireplace Owners Manual
 - Joining Online Reading Communities
 - Participating in Virtual Book Clubs
 - Following Authors and Publishers Majestic Fireplace Owners Manual
 9. Balancing eBooks and Physical Books Majestic Fireplace Owners Manual
 - Benefits of a Digital Library
 - Creating a Diverse Reading Collection Majestic Fireplace Owners Manual
 10. Overcoming Reading Challenges
 - Dealing with Digital Eye Strain
 - Minimizing Distractions
 - Managing Screen Time
 11. Cultivating a Reading Routine Majestic Fireplace Owners Manual
 - Setting Reading Goals Majestic Fireplace Owners Manual
 - Carving Out Dedicated Reading Time
 12. Sourcing Reliable Information of Majestic Fireplace Owners Manual
 - Fact-Checking eBook Content of Majestic Fireplace Owners Manual
 - Distinguishing Credible Sources
 13. Promoting Lifelong Learning
 - Utilizing eBooks for Skill Development
 - Exploring Educational eBooks
 14. Embracing eBook Trends
 - Integration of Multimedia Elements
 - Interactive and Gamified eBooks

Majestic Fireplace Owners Manual Introduction

In today's digital age, the availability of Majestic Fireplace Owners Manual books and manuals for download has revolutionized the way we access information. Gone are the days of physically flipping through pages and carrying heavy textbooks or manuals. With just a few clicks, we can now access a wealth of knowledge from the comfort of our own homes or on the go. This article will explore the advantages of Majestic Fireplace Owners Manual books and manuals for download, along with some popular platforms that offer these resources. One of the significant advantages of Majestic Fireplace Owners Manual books and manuals for download is the cost-saving aspect. Traditional books and manuals can be costly, especially if you need to purchase several of them for educational or professional purposes. By accessing Majestic Fireplace Owners Manual versions, you eliminate the need to spend money on physical copies. This not only saves you money but also reduces the environmental impact associated with book production and transportation. Furthermore, Majestic Fireplace Owners Manual books and manuals for download are incredibly convenient. With just a computer or smartphone and an internet connection, you can access a vast library of resources on any subject imaginable. Whether you're a student looking for textbooks, a professional seeking industry-specific manuals, or someone interested in self-improvement, these digital resources provide an efficient and accessible means of acquiring knowledge. Moreover, PDF books and manuals offer a range of benefits compared to other digital formats. PDF files are designed to retain their formatting regardless of the device used to open them. This ensures that the content appears exactly as intended by the author, with no loss of formatting or missing graphics. Additionally, PDF files can be easily annotated, bookmarked, and searched for specific terms, making them highly practical for studying or referencing. When it comes to accessing Majestic Fireplace Owners Manual books and manuals, several platforms offer an extensive collection of resources. One such platform is Project Gutenberg, a nonprofit organization that provides over 60,000 free eBooks. These books are primarily in the public domain, meaning they can be freely distributed and downloaded. Project Gutenberg offers a wide range of classic literature, making it an excellent resource for literature enthusiasts. Another popular platform for Majestic Fireplace Owners Manual books and manuals is Open Library. Open Library is an initiative of the Internet Archive, a non-profit organization dedicated to digitizing cultural artifacts and making them accessible to the public. Open Library hosts millions of books, including both public domain works and contemporary titles. It also allows users to borrow digital copies of certain books for a limited period, similar to a library lending system. Additionally, many universities and educational institutions have their own digital libraries that provide free access to PDF books and manuals. These libraries often offer academic texts, research papers, and technical manuals, making them invaluable resources for students and researchers. Some notable examples include MIT OpenCourseWare, which offers free access to course materials from the Massachusetts Institute of Technology, and the Digital Public Library of America, which provides a vast collection of digitized books and historical documents. In conclusion, Majestic Fireplace

Owners Manual books and manuals for download have transformed the way we access information. They provide a cost-effective and convenient means of acquiring knowledge, offering the ability to access a vast library of resources at our fingertips. With platforms like Project Gutenberg, Open Library, and various digital libraries offered by educational institutions, we have access to an ever-expanding collection of books and manuals. Whether for educational, professional, or personal purposes, these digital resources serve as valuable tools for continuous learning and self-improvement. So why not take advantage of the vast world of Majestic Fireplace Owners Manual books and manuals for download and embark on your journey of knowledge?

FAQs About Majestic Fireplace Owners Manual Books

1. Where can I buy Majestic Fireplace Owners Manual books? Bookstores: Physical bookstores like Barnes & Noble, Waterstones, and independent local stores. Online Retailers: Amazon, Book Depository, and various online bookstores offer a wide range of books in physical and digital formats.
2. What are the different book formats available? Hardcover: Sturdy and durable, usually more expensive. Paperback: Cheaper, lighter, and more portable than hardcovers. E-books: Digital books available for e-readers like Kindle or software like Apple Books, Kindle, and Google Play Books.
3. How do I choose a Majestic Fireplace Owners Manual book to read? Genres: Consider the genre you enjoy (fiction, non-fiction, mystery, sci-fi, etc.). Recommendations: Ask friends, join book clubs, or explore online reviews and recommendations. Author: If you like a particular author, you might enjoy more of their work.
4. How do I take care of Majestic Fireplace Owners Manual books? Storage: Keep them away from direct sunlight and in a dry environment. Handling: Avoid folding pages, use bookmarks, and handle them with clean hands. Cleaning: Gently dust the covers and pages occasionally.
5. Can I borrow books without buying them? Public Libraries: Local libraries offer a wide range of books for borrowing. Book Swaps: Community book exchanges or online platforms where people exchange books.
6. How can I track my reading progress or manage my book collection? Book Tracking Apps: Goodreads, LibraryThing, and Book Catalogue are popular apps for tracking your reading progress and managing book collections. Spreadsheets: You can create your own spreadsheet to track books read, ratings, and other details.
7. What are Majestic Fireplace Owners Manual audiobooks, and where can I find them? Audiobooks: Audio recordings of books, perfect for listening while commuting or multitasking. Platforms: Audible, LibriVox, and Google Play Books offer

- a wide selection of audiobooks.
8. How do I support authors or the book industry? Buy Books: Purchase books from authors or independent bookstores. Reviews: Leave reviews on platforms like Goodreads or Amazon. Promotion: Share your favorite books on social media or recommend them to friends.
 9. Are there book clubs or reading communities I can join? Local Clubs: Check for local book clubs in libraries or community centers. Online Communities: Platforms like Goodreads have virtual book clubs and discussion groups.
 10. Can I read Majestic Fireplace Owners Manual books for free? Public Domain Books: Many classic books are available for free as they're in the public domain. Free E-books: Some websites offer free e-books legally, like Project Gutenberg or Open Library.

Find Majestic Fireplace Owners Manual :

[ironclad user manual](#)

[invitation to public speaking handbook spiral bound 2010 author cindy l griffin](#)

[ironie alltag gedichte gereimt nicht ebook](#)

[ipad 1 owners manual](#)

iphone 3g manually manage music

[iron horse rider two iron horse rider trilogy book 2](#)

ironman novels free download

[irish music for recorder](#)

[iron ore mineralogy processing and environmental sustainability](#)

[inventive negotiation getting beyond yes](#)

[irc5 m2004 manual](#)

[iprocurement student guide r12](#)

ipod touch 4th generation user guide manual

invisible a short story

iron man my journey through heaven and hell with black sabbath

Majestic Fireplace Owners Manual :

[time to care how to love your patients and your job - Nov 06 2022](#)

web apr 28 2012 buy time to care how to love your patients and your job online on amazon eg at best prices fast and free shipping free returns cash on delivery available on eligible purchase

time to care how to love your patients and your job softcover - Dec 07 2022

web time to care how to love your patients and your job by youngson dr robin at abebooks co uk isbn 10 1475237847 isbn 13 9781475237849 createspace independent publishing platform 2012 softcover

[time to care how to love your patients and your job goodreads](#) - Jun 13 2023

web jan 1 2012 time to care book read reviews from world s largest community for readers

[time to care how to love your patients and your job robin](#) - Oct 05 2022

web youngson robin a j 2012 time to care how to love your patients and your job robin youngson rebelheart raglan n z

wikipedia citation please see wikipedia s template documentation for further citation fields that may be required

[death by patient portal humanities jama jama network](#) - Jan 28 2022

web jul 18 2023 there are cpt codes for all telemedicine activities including patient portal interactions cpt codes 99421 99423 are specifically for billing patient portal interactions you could be billing 50 99421 s per day at 50 apiece that might change your perspective and your patients behavior

time to care how to love your patients and your j pdf - Apr 30 2022

web act love your enemies offers a clear strategy for victory for a new generation of leaders it is a rallying cry for people hoping for a new era of american progress most of all it is a roadmap to arrive at the happiness that comes when we choose to love one another despite our differences love your body nov 06 2021

time to care how to love your patients and your job - Aug 15 2023

web apr 28 2012 a timely book which explores the need to increase compassionate ways of working in health and social welfare dr youngson provides suggestions from his own experiences about how to work in stressful and time pressured situations and still have time to be compassionate towards oneself and those you re caring for

time to care how to love your patients and your job by dr - Jun 01 2022

web jun 2 2023 time to care how to love your patients and your job robin a j youngson this book offers a deeply passionate and insightful account of a health system that is failing both patients and practitioners all over the world

time to care how to love your patients and your job - Feb 09 2023

web buy time to care how to love your patients and your job by youngson robin online on amazon ae at best prices fast and free shipping free returns cash on delivery available on eligible purchase

[time to care how to love your patients and your job by dr](#) - Mar 10 2023

web time to care how to love your patients and your job by dr robin youngson 2012 04 28 paperback 4 5 73 ratings see all

formats and editions

[time to care how to love your patients and your job paperback](#) - Jan 08 2023

web apr 28 2012 in today s beleaguered healthcare system burdened with epidemic levels of stress depression and burnout time to care offers health professionals the opportunity of renewal here are the secrets to building a happy and fulfilling practice wellbeing and resilience youngson bravely

time to care how to love your patients and your job - May 12 2023

web time to care how to love your patients and your job paperback 28 april 2012 in today s beleaguered healthcare system burdened with epidemic levels of stress depression and burnout time to care offers health professionals the opportunity of **timetocarehowtoloveyourpatientsandyourj pdf** - Dec 27 2021

web timetocarehowtoloveyourpatientsandyourj 2 2 downloaded from academy robotistan com on by guest american occupation it corresponds only loosely to the medieval

[time to care how to love your patients and your job by dr](#) - Mar 30 2022

web may 22 2023 time to care how to love your patients and your job by dr robin youngson love and care quotes 45 quotes that will give you the feels time to care how to love your patients and your job by 10 simple ways to learn to love your job 56 ways to show your wife that you love her 50 i don t care quotes for your current mood june

time to care how to love your patients and your job - Jul 14 2023

web time to care how to love your patients and your job author robin a j youngson author summary this book offers a deeply compassionate and insightful account of a health system that is failing both patients and practitioners all over the world *read free time to care how to love your patients and your j* - Jul 02 2022

web time to care how to love your patients and your j share the care feb 21 2021 you don t have to do it alone whether you re prepared for it or not chances are you ll take on the role of caregiver when a family member or friend is affected by a serious illness or injury or when you find your elderly parent needs help

time to care how to love your patients and your job alibris uk - Sep 04 2022

web buy time to care how to love your patients and your job by robin youngson online at alibris uk we have new and used copies available in 1 editions starting at 8 33 shop now

time to care how to love your patients and your job kindle - Aug 03 2022

web hello select your address kindle store select the department you want

time to care how to love your patients and your job by dr - Feb 26 2022

web may 31 2023 time to care how to love your patients and your job 9 differences between loving your partner and being in how to love yourself and be confident with these 15 self

time to care how to love your patients and your job bookshop - Apr 11 2023

web in today s beleaguered healthcare system burdened with epidemic levels of stress depression and burnout time to care offers health professionals the opportunity of renewal here are the secrets to building a happy and

[how to book a service centre appointment samsung singapore](#) - Jul 28 2021

web sep 14 2023 to reduce waiting time all mobile device customers are required to book an appointment before heading down to our service centres you may book an appointment through the following platforms samsung members mobile app at your service webpage follow the detailed steps below on how to book an appointment on the respective platforms

[home appliances samsung online store singapore](#) - May 18 2023

web home appliances computing displays accessories smartthings shop support for business support

[home appliances and kitchen appliances samsung singapore](#) - Sep 22 2023

web home appliances discover samsung s latest innovations in washing machines refrigerators vacuum cleaners microwave ovens and air conditioners

samsung singapore samsung online electronic store - Jun 19 2023

web bespoke home appliance product and colour availability may vary depending on country buy home electronics online check out a wide range of samsung home electronics including smart phones tablets tvs home appliances and more at

check service centre wait time get queue ticket samsung sg - Jun 26 2021

web home appliances home appliances recommended discover bespoke life hot bespoke kitchen by ticking this box i accept samsung service updates including samsung com services and marketing information new product and service announcements as well as special offers

samsung home appliances campaign november 2023 terms - Jan 02 2022

web 5 2 2 how to enjoy the sweet home deals step 1 visit the samsung online store samsung com my step 2 add your desired home appliance product s from participating categories at samsung online store to the cart step 3 instant discount will automatically be reflected to your order if fulfil the below criteria get 5 off when

samsung furniture home products and appliances qanvast - Feb 15 2023

web our goal is to develop home appliances designed for the way we live now appliances that blend modern design with innovative new technologies based on changing trends samsung has been driving innovative new designs and reimagining what appliances can do for us with products that are flexible and multifunctional setting new standards for

[how do i consult with a customer service agent for product support](#) - Dec 13 2022

web customer service agents are available to support you with all of your samsung needs to speak with an agent simply answer a few questions on our contact us page about how we can help and then get connected with an agent for support

home appliances samsung india - Jun 07 2022

web mar 21 2018 apps services customer support samsung pay 1800 123 7729

useful guide for home appliances samsung singapore - Sep 29 2021

web repair services arrange an appointment to experience a shorter waiting time book an appointment track my repair find out more about how to use or solve issues with samsung home appliances through samsung support

home appliances samsung online shop l za - Feb 03 2022

web terms and conditions apply max of two swaps available over a 24 month period swap fee applies for each swap unless covered by warranty or the south africa consumer law

service locator samsung - Apr 17 2023

web home appliance locate a samsung certified pro to diagnose your home appliance products you can trust that genuine samsung parts will be utilized in your repair samsung offers a variety of repair locations including walk in samsung service centers

how samsung continues to push home experiences to the next - Jul 08 2022

web nov 21 2023 samsung unveiled core tech at this year s ifa shedding light on the company s vision for home appliances and commitment to pushing the boundaries of innovation discover how core tech transforms home appliances and revolutionises interactions with technology through this three part series

helps tips for appliances samsung support singapore - Aug 21 2023

web how to use display and notification guide for tumble dryer function advantages of diamond drum in samsung washing machine how to use basic tips for proper food storage in samsung refrigerator how to use cases when detergent has to be put manually in samsung washing machine

samsung electronics ranked as a top five best global brand - Apr 05 2022

web nov 21 2023 strengthening its position in the gaming industry through innovative products such as the odyssey ark the samsung gaming hub and partnerships with global leading game streaming services enhancing accessibility through relumino mode 1 and rnib royal national institute for blind people partnerships home appliances

in home service for appliances and devices samsung - Sep 10 2022

web nov 27 2017 audio it s not every day that a company offers a quick and efficient in home service for your appliances and devices but samsung is now offering just that for their customers entrenching their mark as the best customer service providers in their field samsung now offers a door to door repair service for all its appliances and electronics

[contact us official samsung support us](#) - Nov 12 2022

web support contact us official samsung support us samsung care is here to help you can connect with our care pros in a

variety of ways choose the one that works for you

home appliance deals samsung singapore - Oct 31 2021

web home offer home appliances deals browse the best limited time deals on selected home appliances online at samsung singapore

where to find samsung service centre in singapore tv - Aug 29 2021

web samsung customer service centre bedok mall 311 new upper changi road b1 07 singapore 467360 operating hours monday saturday 11 00am to 7 00pm sunday and public holiday 11 00am to 5 00pm please note provide your proof of purchase or warranty card for warranty verification

find a samsung service centre near you support samsung - Oct 23 2023

web for servicing of tv av projectors home appliances vacuum cleaners computing and display products you may book an appointment for in home servicing please call 1800 samsung 7267864 or schedule a callback request from our technical advisor

home appliances page 6 samsung newsroom singapore - May 06 2022

web 2 products home appliances press release samsung launches new range of smart washing machines and dryers to help consumers cut time spent on laundry 18 03 2021 6 in depth looks at samsung s latest products and services profiling new products as they are released and creating tutorials and features to explain products at a deeper

support home official samsung support us - Mar 16 2023

web american customer satisfaction index survey has ranked samsung 1 for home appliances in overall service experience 1 and tv in overall quality 2 best innovation in customer experience over 10k employees

find tv and appliance care samsung us - Jan 14 2023

web ranked 1 in overall service experience service time service help service ease and service outcome for home appliances 2 ranked 1 for tv warranty coverage overall quality and product quality 3 and durability 4 samsung certified repair technicians go through 100 hours of rigorous training a background check and get certified

built in appliances samsung us - Mar 04 2022

web samsung has been recognized by the u s environmental protection agency for our energy efficient built in appliances ranked 1 in overall service experience samsung was rated 1 in product quality service quality and service repair by the 2022 american customer satisfaction index

home appliance service samsung canada - Aug 09 2022

web samsung offers technical support for in and out of warranty products via call chat text and more virtual visual support connect with a samsung expert at your convenience get your product working without a technician visit by opting in

how do i repair or service my product samsung direct support - Oct 11 2022

web aug 8 2022 click here to set up or track a service request our team of professionals will help diagnose troubleshoot or repair your product if needed go to product support if you purchased samsung care protection for a device and need to file a claim use one of the corresponding links below

request repair and check repair status samsung - Jul 20 2023

web start a repair request check the repair status or find a service center near you for samsung tvs home appliances galaxy tablets and wearables

contact us call email or chat with us online samsung sg - Dec 01 2021

web contact us to get product help contact number email live chat and service centre locations for samsung singapore

results for calculating potential and kinetic energy tpt - Sep 22 2021

kinetic energy calculator - May 31 2022

web kinetic and potential energy worksheet with answer key this practice assignment allows the students to apply the idea of conservation of energy means using the mathematics

calculating kinetic and potential energy pdf scribd - Dec 06 2022

web solve the following word problems using the kinetic and potential energy formulas be sure to show your work formulas $ke = \frac{1}{2} m v^2$ or $pe = m g h$

what is kinetic energy article khan academy - Feb 08 2023

web correct formula to use $ke = \frac{1}{2} m v^2$ or $pe = mgh$ show your work in the space provided or on the back of this sheet 1 a 10 gram ball is rolling at 3 m/s the ball has

kinetic and potential energy worksheet answer key scribd - Oct 24 2021

kinetic and potential energy worksheet middle - Jan 07 2023

web kinetic and potential energy worksheet name determine whether the objects in the following problems have kinetic or potential

results for potential and kinetic energy calculating tpt - Feb 25 2022

web this quiz includes solving motion problems using potential energy and kinetic energy which is part of the energy conservation assuming no friction there are 10 problems

kinetic and potential energy worksheet key g 9 debou - Sep 03 2022

web aug 14 2023 if you want to check what potential energy is and how to calculate it use our potential energy calculator

the work energy theorem it turns out that kinetic

potential energy article energy khan academy - Apr 10 2023

web $w_{net} = \Delta K$ this result is known as the work energy theorem and applies quite generally even with forces that vary in direction and magnitude it is important in the study of conservation of energy and conservative forces what is

okm882hb mrs schneider s science home page - May 11 2023

web key points potential energy is energy that has the potential to become another form of energy an object s potential energy depends on its physical properties and position in

calculating kinetic and potential energy teaching resources tpt - Apr 29 2022

web in this lab activity students calculate the kinetic and potential energy of a toy car includes student lab worksheet

discussion questions teacher directions and answer key

results for potential and kinetic energy worksheet and answer key - Jan 27 2022

web kinetic and potential energy worksheet classify the following as a type of potential energy or kinetic energy use the letters k or p 1 a bicyclist pedaling up a hill k

calculating kinetic and potential energy problems tpt - Nov 24 2021

calculating potential and kinetic energy answer key - Dec 26 2021

web topics include what is energy kinetic energy ke potential energy pe the 9 types of energy as well as energy transformations product contents pages 1 2 what is

potential energy questions practice questions with answers - Aug 02 2022

web topics include what is energy kinetic energy ke potential energy pe the 9 types of energy as well as energy transformations product contents pages 1 2 what is

kinetic and potential energy worksheet answer key - Oct 04 2022

web a series of free science lessons for 7th grade and 8th grade ks3 and checkpoint science in preparation for gcse and igcse science kinetic energy the energy of speed and

calculating ke and pe key pdf kinetic and potential - Nov 05 2022

web 1 what is the formula to calculate the gravitational potential energy the gravitational potential energy is given by the formula $U = mgh$ 2 stretching of the rubber band is an

energy calculations energy ks3 physics bbc bitesize bbc - Jun 12 2023

web the formula for calculating kinetic energy is $\frac{1}{2}mv^2$ the two factors that determine the amount of kinetic energy in an object are mass and velocity 14 kinetic energy is measured in units of joules

potential and kinetic energy math is fun - Mar 09 2023

web kinetic and potential energy worksheet name key determine whether the objects in the following

kinetic and potential energy examples answers activities - Jul 01 2022

web displaying top 8 worksheets found for kinetic and potential energy answer key some of the worksheets for this concept are what is energy potential energy work with

kinetic and potential energy answer key learny kids - Mar 29 2022

web recognizing the quirk ways to acquire this book calculating potential and kinetic energy answer key is additionally useful you have remained in right site to start getting this

kinetic and potential energy worksheets easy teacher - Jul 13 2023

web use the following equation to calculate the amount of energy in the kinetic energy store of a moving object energy in the kinetic energy store $ek = 0.5 \times \text{mass } m \times \text{velocity}^2 v^2$

calculating kinetic energy kinetic and gravitational - Aug 14 2023

web gcse ccea kinetic and gravitational potential energy in this ccea gcse physics quiz you can test your knowledge of kinetic and gravitational potential energy you can also