

PRELIMINARIES

FM-910 is a 9"(23cm) diagonal CRT used reliable picture monitor for monochrome video program. Full solid-state with top quality integrated circuits and silicon semiconductor design assure high quality picture for a long time. Simple circuitry design and compact construction present this monitor as an economical device. The FM-910T external sync drives picture monitor with DC restoration is optionally available for higher class applications.

This manual contains initial set up procedures, operating instructions and service information for both types, FM-910 and FM-910T.

Please note that the FM-910 picture monitor is finely adjusted precision piece of equipment. To be assured of trouble-free operation, full performance capability and a long service life, we strongly recommend that you check these instructions completely before accepting to assemble, install or operate the monitor.

Although this picture monitor is a solid-state, module unit using mainly low-voltage circuitry at non-hazardous energy levels, power supply voltages present on certain parts of the interior. Such parts are not accessible in normal use, but while carrying out maintenance or repair, **EXTREME CARE** should be taken. Main voltage can be **LETHAL!**

It is strongly recommended not to save time unless really necessary, and in such cases, always follow the procedure given in these instructions, and use appropriate tools. And note that the inside adjustment or repair should only be made by a fully qualified technician.

CARE IN HANDLING

Careful handling of the monitor and accessories should be practiced at all times, avoiding unnecessary physical shocks and violent rough handling.

The monitor should always be set up in a well-ventilated area, and shielded from heat sources, high-powered lights, especially strong magnetic fields (such as power transformers), which may cause picture swing or distortion.

Excessively moisture-, gas- or salt-laden atmospheres should be avoided as much as possible, since circuitry components and connector contacts may be adversely affected.

Dust accumulation should be avoided, since many parts of the unit will be adversely affected in time, and the service-life will be shortened.

Regularly check the connection cables, which are prone to damage, especially in outdoor use. The cables should always be handled with care, kept free from sharp bends and kinks, and relieved from strain over the connectors. And checking of the connectors for full insertion and tightness is also recommended, especially where the same setup is used for a long time.

NAMES OF SECTIONS

- Carrying handle
- Upper case
- Front escutcheon
- Picture tube (CRT)
- Power switch
- Power lamp
- V. Hold (Driver control)
- H. Hold (Driver control)
- Brightness
- Contrast
- Video input connectors (bridged)
- Video termination switch (75-ohm ON/OFF)
- Blind plate for optional unit (For EXT sync/DC restore unit)
- EXT Sync/DC restore unit
- DC restoration switch (ON/OFF)
- Sync termination switch (75-ohm 24/OFF)
- Sync mode switch (Internal/External)
- Sync input connectors

SET UP & OPERATION

Position the picture monitor in the desired location and connect the power cord to an AC outlet. And make sure that the monitor is installed securely in a suitable condition.

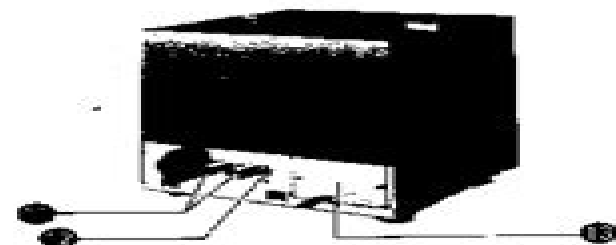
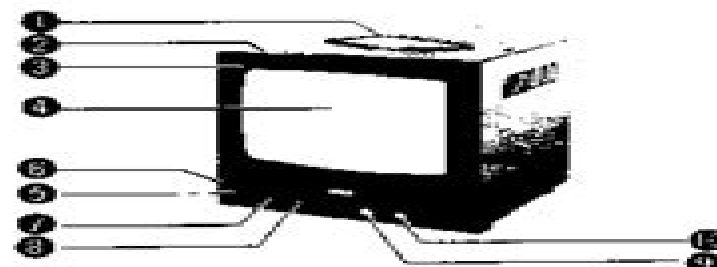
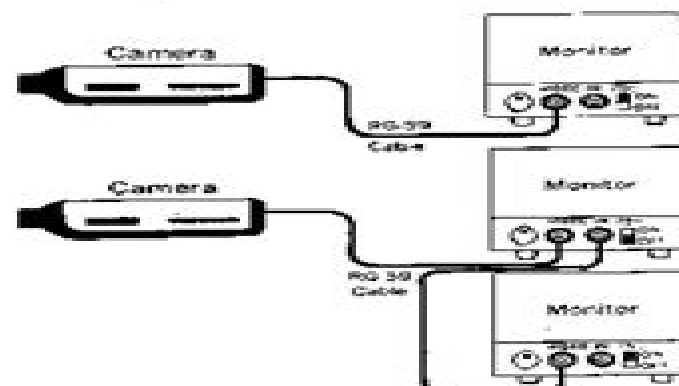
Make the coaxial-cable connection for video signal between the picture monitor and the signal source (video camera or VTR, etc.). And make certain that all connectors are properly and fully mated, and the locking rings are securely tightened.

Set the video termination switch to 75-ohm (if more than one monitor is to be used, see below).

If provided, set the sync (internal/external) switch to internal (if applicable).

After switching on the monitor and setting up the raster, adjust the brightness and contrast controls for the most pleasing picture.

BASIC CONNECTION



Ite Ikegami Pm910 Monitor Repair Manual

Terry C. Jones



Ite Ikegami Pm910 Monitor Repair Manual:

Whispering the Secrets of Language: An Mental Journey through **Itc Ikegami Pm910 Monitor Repair Manual**

In a digitally-driven earth wherever displays reign great and immediate interaction drowns out the subtleties of language, the profound techniques and psychological subtleties hidden within words usually move unheard. Yet, located within the pages of **Itc Ikegami Pm910 Monitor Repair Manual** a captivating fictional prize pulsating with fresh thoughts, lies an extraordinary journey waiting to be undertaken. Published by a talented wordsmith, this wonderful opus attracts visitors on an introspective journey, delicately unraveling the veiled truths and profound affect resonating within the material of each and every word. Within the mental depths with this touching review, we will embark upon a genuine exploration of the book is primary styles, dissect their fascinating writing type, and fail to the effective resonance it evokes deep within the recesses of readers hearts.

http://www.armchairempire.com/results/detail/HomePages/Going_Green_Without_Going_Broke.pdf

Table of Contents Itc Ikegami Pm910 Monitor Repair Manual

1. Understanding the eBook Itc Ikegami Pm910 Monitor Repair Manual
 - The Rise of Digital Reading Itc Ikegami Pm910 Monitor Repair Manual
 - Advantages of eBooks Over Traditional Books
2. Identifying Itc Ikegami Pm910 Monitor Repair Manual
 - Exploring Different Genres
 - Considering Fiction vs. Non-Fiction
 - Determining Your Reading Goals
3. Choosing the Right eBook Platform
 - Popular eBook Platforms
 - Features to Look for in an Itc Ikegami Pm910 Monitor Repair Manual
 - User-Friendly Interface
4. Exploring eBook Recommendations from Itc Ikegami Pm910 Monitor Repair Manual
 - Personalized Recommendations

- Itc Ikegami Pm910 Monitor Repair Manual User Reviews and Ratings
- Itc Ikegami Pm910 Monitor Repair Manual and Bestseller Lists
- 5. Accessing Itc Ikegami Pm910 Monitor Repair Manual Free and Paid eBooks
 - Itc Ikegami Pm910 Monitor Repair Manual Public Domain eBooks
 - Itc Ikegami Pm910 Monitor Repair Manual eBook Subscription Services
 - Itc Ikegami Pm910 Monitor Repair Manual Budget-Friendly Options
- 6. Navigating Itc Ikegami Pm910 Monitor Repair Manual eBook Formats
 - ePub, PDF, MOBI, and More
 - Itc Ikegami Pm910 Monitor Repair Manual Compatibility with Devices
 - Itc Ikegami Pm910 Monitor Repair Manual Enhanced eBook Features
- 7. Enhancing Your Reading Experience
 - Adjustable Fonts and Text Sizes of Itc Ikegami Pm910 Monitor Repair Manual
 - Highlighting and Note-Taking Itc Ikegami Pm910 Monitor Repair Manual
 - Interactive Elements Itc Ikegami Pm910 Monitor Repair Manual
- 8. Staying Engaged with Itc Ikegami Pm910 Monitor Repair Manual
 - Joining Online Reading Communities
 - Participating in Virtual Book Clubs
 - Following Authors and Publishers Itc Ikegami Pm910 Monitor Repair Manual
- 9. Balancing eBooks and Physical Books Itc Ikegami Pm910 Monitor Repair Manual
 - Benefits of a Digital Library
 - Creating a Diverse Reading Collection Itc Ikegami Pm910 Monitor Repair Manual
- 10. Overcoming Reading Challenges
 - Dealing with Digital Eye Strain
 - Minimizing Distractions
 - Managing Screen Time
- 11. Cultivating a Reading Routine Itc Ikegami Pm910 Monitor Repair Manual
 - Setting Reading Goals Itc Ikegami Pm910 Monitor Repair Manual
 - Carving Out Dedicated Reading Time
- 12. Sourcing Reliable Information of Itc Ikegami Pm910 Monitor Repair Manual
 - Fact-Checking eBook Content of Itc Ikegami Pm910 Monitor Repair Manual

- Distinguishing Credible Sources
- 13. Promoting Lifelong Learning
 - Utilizing eBooks for Skill Development
 - Exploring Educational eBooks
- 14. Embracing eBook Trends
 - Integration of Multimedia Elements
 - Interactive and Gamified eBooks

Itc Ikegami Pm910 Monitor Repair Manual Introduction

In today's digital age, the availability of Itc Ikegami Pm910 Monitor Repair Manual books and manuals for download has revolutionized the way we access information. Gone are the days of physically flipping through pages and carrying heavy textbooks or manuals. With just a few clicks, we can now access a wealth of knowledge from the comfort of our own homes or on the go. This article will explore the advantages of Itc Ikegami Pm910 Monitor Repair Manual books and manuals for download, along with some popular platforms that offer these resources. One of the significant advantages of Itc Ikegami Pm910 Monitor Repair Manual books and manuals for download is the cost-saving aspect. Traditional books and manuals can be costly, especially if you need to purchase several of them for educational or professional purposes. By accessing Itc Ikegami Pm910 Monitor Repair Manual versions, you eliminate the need to spend money on physical copies. This not only saves you money but also reduces the environmental impact associated with book production and transportation. Furthermore, Itc Ikegami Pm910 Monitor Repair Manual books and manuals for download are incredibly convenient. With just a computer or smartphone and an internet connection, you can access a vast library of resources on any subject imaginable. Whether you're a student looking for textbooks, a professional seeking industry-specific manuals, or someone interested in self-improvement, these digital resources provide an efficient and accessible means of acquiring knowledge. Moreover, PDF books and manuals offer a range of benefits compared to other digital formats. PDF files are designed to retain their formatting regardless of the device used to open them. This ensures that the content appears exactly as intended by the author, with no loss of formatting or missing graphics. Additionally, PDF files can be easily annotated, bookmarked, and searched for specific terms, making them highly practical for studying or referencing. When it comes to accessing Itc Ikegami Pm910 Monitor Repair Manual books and manuals, several platforms offer an extensive collection of resources. One such platform is Project Gutenberg, a nonprofit organization that provides over 60,000 free eBooks. These books are primarily in the public domain, meaning they can be freely distributed and downloaded. Project Gutenberg offers a wide range of classic literature, making it an excellent resource for literature enthusiasts. Another popular platform for Itc

Ikegami Pm910 Monitor Repair Manual books and manuals is Open Library. Open Library is an initiative of the Internet Archive, a non-profit organization dedicated to digitizing cultural artifacts and making them accessible to the public. Open Library hosts millions of books, including both public domain works and contemporary titles. It also allows users to borrow digital copies of certain books for a limited period, similar to a library lending system. Additionally, many universities and educational institutions have their own digital libraries that provide free access to PDF books and manuals. These libraries often offer academic texts, research papers, and technical manuals, making them invaluable resources for students and researchers. Some notable examples include MIT OpenCourseWare, which offers free access to course materials from the Massachusetts Institute of Technology, and the Digital Public Library of America, which provides a vast collection of digitized books and historical documents. In conclusion, Itc Ikegami Pm910 Monitor Repair Manual books and manuals for download have transformed the way we access information. They provide a cost-effective and convenient means of acquiring knowledge, offering the ability to access a vast library of resources at our fingertips. With platforms like Project Gutenberg, Open Library, and various digital libraries offered by educational institutions, we have access to an ever-expanding collection of books and manuals. Whether for educational, professional, or personal purposes, these digital resources serve as valuable tools for continuous learning and self-improvement. So why not take advantage of the vast world of Itc Ikegami Pm910 Monitor Repair Manual books and manuals for download and embark on your journey of knowledge?

FAQs About Itc Ikegami Pm910 Monitor Repair Manual Books

1. Where can I buy Itc Ikegami Pm910 Monitor Repair Manual books? Bookstores: Physical bookstores like Barnes & Noble, Waterstones, and independent local stores. Online Retailers: Amazon, Book Depository, and various online bookstores offer a wide range of books in physical and digital formats.
2. What are the different book formats available? Hardcover: Sturdy and durable, usually more expensive. Paperback: Cheaper, lighter, and more portable than hardcovers. E-books: Digital books available for e-readers like Kindle or software like Apple Books, Kindle, and Google Play Books.
3. How do I choose a Itc Ikegami Pm910 Monitor Repair Manual book to read? Genres: Consider the genre you enjoy (fiction, non-fiction, mystery, sci-fi, etc.). Recommendations: Ask friends, join book clubs, or explore online reviews and recommendations. Author: If you like a particular author, you might enjoy more of their work.
4. How do I take care of Itc Ikegami Pm910 Monitor Repair Manual books? Storage: Keep them away from direct sunlight and in a dry environment. Handling: Avoid folding pages, use bookmarks, and handle them with clean hands. Cleaning:

- Gently dust the covers and pages occasionally.
5. Can I borrow books without buying them? Public Libraries: Local libraries offer a wide range of books for borrowing. Book Swaps: Community book exchanges or online platforms where people exchange books.
 6. How can I track my reading progress or manage my book collection? Book Tracking Apps: Goodreads, LibraryThing, and Book Catalogue are popular apps for tracking your reading progress and managing book collections. Spreadsheets: You can create your own spreadsheet to track books read, ratings, and other details.
 7. What are Itc Ikegami Pm910 Monitor Repair Manual audiobooks, and where can I find them? Audiobooks: Audio recordings of books, perfect for listening while commuting or multitasking. Platforms: Audible, LibriVox, and Google Play Books offer a wide selection of audiobooks.
 8. How do I support authors or the book industry? Buy Books: Purchase books from authors or independent bookstores. Reviews: Leave reviews on platforms like Goodreads or Amazon. Promotion: Share your favorite books on social media or recommend them to friends.
 9. Are there book clubs or reading communities I can join? Local Clubs: Check for local book clubs in libraries or community centers. Online Communities: Platforms like Goodreads have virtual book clubs and discussion groups.
 10. Can I read Itc Ikegami Pm910 Monitor Repair Manual books for free? Public Domain Books: Many classic books are available for free as they're in the public domain. Free E-books: Some websites offer free e-books legally, like Project Gutenberg or Open Library.

Find Itc Ikegami Pm910 Monitor Repair Manual :

[going green without going broke](#)

[gods healing power finding your true self through meditation](#)

god shall grow up body soul and earth evolving together

[go ahead boys smugglers island](#)

[gmc suburban 2004 owners manual downloading](#)

[gmc 2012 sierra repair manual](#)

[gmc jimmy manual](#)

[god has a dream a vision of hope for our time](#)

[glorafilia the venice collection 25 original projects in needlepoint and embroidery](#)

[gods solutions to lifes problems radical change by the power of god](#)

god made my family bible learning series

gm cadillac service manual

glosmaths 2009 answers l7alg3

gmc 2015 canyon repair manual

goed filmen met super en single 8

Itc Ikegami Pm910 Monitor Repair Manual :

STAGES OF THE HUMAN MENSTRUAL CYCLE May 28, 2019 — LAB. Period. Date. STAGES OF THE HUMAN MENSTRUAL CYCLE. When a human female is born, her ovaries already contain all the immature eggs that will ... LAB: STAGES OF THE HUMAN MENSTRUAL CYCLE When a human female is born, her ovaries already contain all the immature eggs that will later mature and produce functional eggs during her lifetime. LAB ____ . STAGES OF THE HUMAN MENSTRUAL CYCLE When a human female is born, her ovaries already contain all the immature eggs that will later mature and produce functional eggs during her lifetime. Menstrual Cycle Graphing - Lab #12 Purpose: The purpose of this laboratory experience is: to examine the events of the human menstrual cycle with regard to hormone levels, ovarian function, and ... Menstrual Cycle Lab Flashcards Study with Quizlet and memorize flashcards containing terms like What gland secretes FSH (follicle-stimulating hormone)?, On what day does the FSH reach its ... LAB ____ . STAGES OF THE HUMAN MENSTRUAL CYCLE When a human female is born, her ovaries already contain all the immature eggs that will later mature and produce functional eggs during her lifetime. Menstrual cycle lab and graphs Menstrual cycle lab and graphs. Ch 36. Menstrual cycle (ovulation). The Menstrual Cycle; About every 28 days, some blood and other products of the ... Follicle-Stimulating Hormone (FSH) Levels Test by FSHFSHL Test — This test measures the level of follicle-stimulating hormone (FSH) in your blood. FSH affects sexual development in children and fertility ... Top Labs To Run Bi-Annually On Your Irregular Menstrual ... Aug 7, 2023 — Lab tests like anti-Müllerian hormone (AMH) and follicle-stimulating hormone (FSH) levels provide a comprehensive overview of ovarian function. The Paint Effects Bible: 100 Recipes for Faux Finishes This is the ultimate 'cookbook' for redecorating with paint. Within the guide you'll find 100 paint finish techniques with great illustrations, very EASY to ... The Paint Effects Bible: 100 Recipes for Faux Finishes The Paint Effects Bible: 100 Recipes for Faux Finishes by Skinner, Kerry - ISBN 10: 1552977188 - ISBN 13: 9781552977187 - Firefly Books - 2003 - Softcover. The Paint Effects Bible: 100 Recipes for Faux Finishes A paint-effects directory covers 100 faux finishes, all of which are clearly illustrated with step-by-step instructions, and cover a wide range of traditional ... The Paint Effects Bible: 100 Recipes for Faux Finishes The Paint Effects Bible: 100 Recipes for Faux Finishes written by Kerry Skinner. Published by Firefly Books in April 2003. This item is a RingBound edition. The paint effects bible : 100 recipes for faux finishes Jan 27, 2020 — Publication date: 2003. Topics:

House painting, Texture painting, Finishes and finishing, Decoration and ornament. The Paint Effects Bible: 100 Recipes for... This is a goog book to have. For amateurs like me this book breaks methods down to a step by step illustrated and recipes for paint effects and faux finishes. The Paint Effects Bible: 100 Recipes for Faux Finishes by ... The Paint Effects Bible: 100 Recipes for Faux Finishes by Skinner, Kerry ; Condition. Good ; Quantity. 4 available ; Item Number. 195249555949 ; Binding. Spiral- ... The Paint Effects Bible: 100 Recipes for Faux Finishes Jan 1, 2003 — Read 2 reviews from the world's largest community for readers. The Paint Effects Bible is a library of faux 100 of them. The Paint Effects Bible: 100 Recipes for Faux Finishes ... Aug 30, 2012 — The Paint Effects Bible: 100 Recipes for Faux Finishes (Paperback). By Kerry Skinner. \$9.98. This title is likely unavailable. Email or call ... The Paint Effects Bible 100 Recipes Faux Finishes Kerry ... The Paint Effects Bible 100 Recipes Faux Finishes Kerry Skinner Spiral Hardcover ; Condition. Good ; Quantity. 1 available ; Item Number. 265908632883 ; Book Title. Hospital Housekeeping: Training, Standards & Checklist Oct 23, 2022 — This lesson will discuss the benefits of hospital housekeeping and the importance of standards for housekeeping employees. This lesson will ... Quiz & Worksheet - Hospital Housekeeping Basics By taking this quiz, you'll measure your understanding of hospital housekeeping basics. The quiz/worksheet is printable, which allows you to view... 10-hour Healthcare: Housekeeping Safety Program Access 100% of our training material for free, including the study guide, knowledge check activities, course activities and resources, and course exams. Hospital Housekeeping Training Manual This convenient guide summarizes the contents of each of the hospital housekeeping training videos available through ISSA (Theory of Infectious Cleaning; BSI ... HP_Housekeeping-Manual.pdf Feb 16, 2016 — The Manual is to assist you to develop your own cleaning policies and procedures, or to use as it is if you prefer, and consists of three ... Full Guide To Hospital Housekeeping Checklist - DataMyte's Nov 29, 2022 — A hospital housekeeping checklist is a tool that lists tasks and areas that need to be cleaned in a hospital. It outlines the Frequency, method, ... a study to determine the effectiveness of the texas hospital ... by MEB Blodgett · 1971 — The purpose of this study was to determine the effectiveness of the Texas Hospital Association Shared Management Systems Housekeep- ing Study Guide in ... Environmental Services Cleaning Guidebook Adapted from Allina Hospitals and Clinics Environmental Services Cleaning Guidebook by the Minnesota Hospital Association. (MHA), Minnesota Department of ... Free Hospital Housekeeping Checklists | PDF Jul 11, 2023 — Download our collection of free hospital housekeeping checklists to identify high-risk areas and ensure patient and staff safety. HOSPITAL HOUSEKEEPING In one year, duration, the trainee learns about elementary first-aid, firefighting, environment regulation and housekeeping, etc.