

# Service Instructions

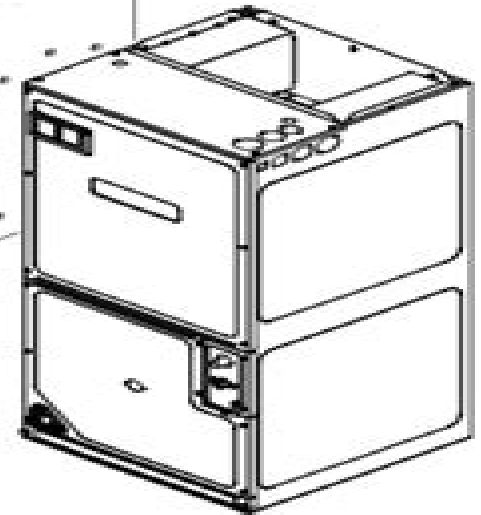
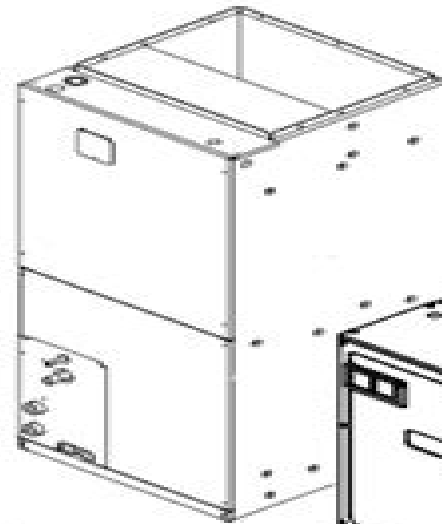
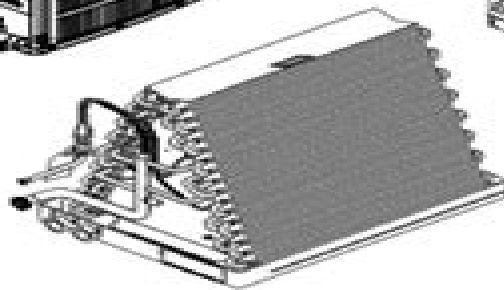
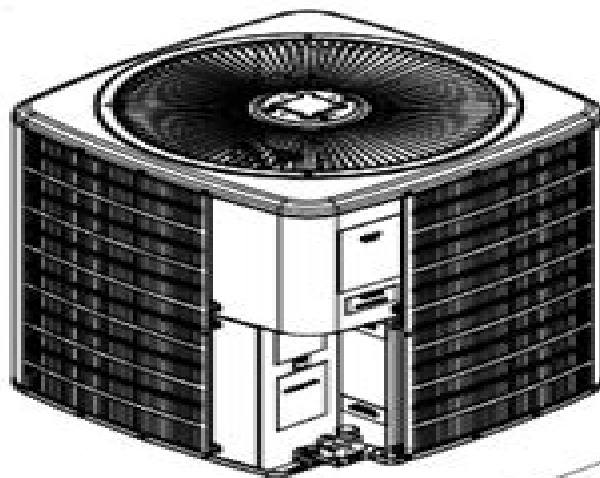
ANX, SSX, ASX, GSX, DSX

Condensing Units,

ANZ, SSZ, ASZ, GSZ, DSZ, VSX, VSZ Split System Heat Pumps

with R-410A Refrigerant

Blowers, Coils, & Accessories



This manual is to be used by qualified, professionally trained HVAC technicians only. The manufacturer does not assume any responsibility for property damage or personal injury due to improper service procedures or services performed by an unqualified person.

F3B 2000-06r 58  
January 2016

Copyright © 2006 - 2016 Goodman Manufacturing Company, LP

# Goodman Gsx13 Remote Cooling Service Manual

**SJ Ball**



## **Goodman Gsx13 Remote Cooling Service Manual:**

## Adopting the Track of Phrase: An Psychological Symphony within **Goodman Gsx13 Remote Cooling Service Manual**

In a world used by displays and the ceaseless chatter of immediate interaction, the melodic beauty and emotional symphony developed by the prepared term usually diminish in to the backdrop, eclipsed by the constant noise and distractions that permeate our lives. Nevertheless, set within the pages of **Goodman Gsx13 Remote Cooling Service Manual** a charming fictional prize brimming with organic feelings, lies an immersive symphony waiting to be embraced. Constructed by an elegant musician of language, this fascinating masterpiece conducts readers on an emotional trip, well unraveling the concealed tunes and profound influence resonating within each carefully crafted phrase. Within the depths of this poignant evaluation, we will examine the book is main harmonies, analyze their enthralling writing model, and submit ourselves to the profound resonance that echoes in the depths of readers souls.

[http://www.armchairempire.com/public/virtual-library/fetch.php/hide\\_and\\_seek\\_the\\_architecture\\_of\\_cabins\\_and\\_hideouts.pdf](http://www.armchairempire.com/public/virtual-library/fetch.php/hide_and_seek_the_architecture_of_cabins_and_hideouts.pdf)

### **Table of Contents Goodman Gsx13 Remote Cooling Service Manual**

1. Understanding the eBook Goodman Gsx13 Remote Cooling Service Manual
  - The Rise of Digital Reading Goodman Gsx13 Remote Cooling Service Manual
  - Advantages of eBooks Over Traditional Books
2. Identifying Goodman Gsx13 Remote Cooling Service Manual
  - Exploring Different Genres
  - Considering Fiction vs. Non-Fiction
  - Determining Your Reading Goals
3. Choosing the Right eBook Platform
  - Popular eBook Platforms
  - Features to Look for in an Goodman Gsx13 Remote Cooling Service Manual
  - User-Friendly Interface
4. Exploring eBook Recommendations from Goodman Gsx13 Remote Cooling Service Manual
  - Personalized Recommendations

- Goodman Gsx13 Remote Cooling Service Manual User Reviews and Ratings
- Goodman Gsx13 Remote Cooling Service Manual and Bestseller Lists
- 5. Accessing Goodman Gsx13 Remote Cooling Service Manual Free and Paid eBooks
  - Goodman Gsx13 Remote Cooling Service Manual Public Domain eBooks
  - Goodman Gsx13 Remote Cooling Service Manual eBook Subscription Services
  - Goodman Gsx13 Remote Cooling Service Manual Budget-Friendly Options
- 6. Navigating Goodman Gsx13 Remote Cooling Service Manual eBook Formats
  - ePub, PDF, MOBI, and More
  - Goodman Gsx13 Remote Cooling Service Manual Compatibility with Devices
  - Goodman Gsx13 Remote Cooling Service Manual Enhanced eBook Features
- 7. Enhancing Your Reading Experience
  - Adjustable Fonts and Text Sizes of Goodman Gsx13 Remote Cooling Service Manual
  - Highlighting and Note-Taking Goodman Gsx13 Remote Cooling Service Manual
  - Interactive Elements Goodman Gsx13 Remote Cooling Service Manual
- 8. Staying Engaged with Goodman Gsx13 Remote Cooling Service Manual
  - Joining Online Reading Communities
  - Participating in Virtual Book Clubs
  - Following Authors and Publishers Goodman Gsx13 Remote Cooling Service Manual
- 9. Balancing eBooks and Physical Books Goodman Gsx13 Remote Cooling Service Manual
  - Benefits of a Digital Library
  - Creating a Diverse Reading Collection Goodman Gsx13 Remote Cooling Service Manual
- 10. Overcoming Reading Challenges
  - Dealing with Digital Eye Strain
  - Minimizing Distractions
  - Managing Screen Time
- 11. Cultivating a Reading Routine Goodman Gsx13 Remote Cooling Service Manual
  - Setting Reading Goals Goodman Gsx13 Remote Cooling Service Manual
  - Carving Out Dedicated Reading Time
- 12. Sourcing Reliable Information of Goodman Gsx13 Remote Cooling Service Manual
  - Fact-Checking eBook Content of Goodman Gsx13 Remote Cooling Service Manual

- Distinguishing Credible Sources
- 13. Promoting Lifelong Learning
  - Utilizing eBooks for Skill Development
  - Exploring Educational eBooks
- 14. Embracing eBook Trends
  - Integration of Multimedia Elements
  - Interactive and Gamified eBooks

### **Goodman Gsx13 Remote Cooling Service Manual Introduction**

In today's digital age, the availability of Goodman Gsx13 Remote Cooling Service Manual books and manuals for download has revolutionized the way we access information. Gone are the days of physically flipping through pages and carrying heavy textbooks or manuals. With just a few clicks, we can now access a wealth of knowledge from the comfort of our own homes or on the go. This article will explore the advantages of Goodman Gsx13 Remote Cooling Service Manual books and manuals for download, along with some popular platforms that offer these resources. One of the significant advantages of Goodman Gsx13 Remote Cooling Service Manual books and manuals for download is the cost-saving aspect. Traditional books and manuals can be costly, especially if you need to purchase several of them for educational or professional purposes. By accessing Goodman Gsx13 Remote Cooling Service Manual versions, you eliminate the need to spend money on physical copies. This not only saves you money but also reduces the environmental impact associated with book production and transportation. Furthermore, Goodman Gsx13 Remote Cooling Service Manual books and manuals for download are incredibly convenient. With just a computer or smartphone and an internet connection, you can access a vast library of resources on any subject imaginable. Whether you're a student looking for textbooks, a professional seeking industry-specific manuals, or someone interested in self-improvement, these digital resources provide an efficient and accessible means of acquiring knowledge. Moreover, PDF books and manuals offer a range of benefits compared to other digital formats. PDF files are designed to retain their formatting regardless of the device used to open them. This ensures that the content appears exactly as intended by the author, with no loss of formatting or missing graphics. Additionally, PDF files can be easily annotated, bookmarked, and searched for specific terms, making them highly practical for studying or referencing. When it comes to accessing Goodman Gsx13 Remote Cooling Service Manual books and manuals, several platforms offer an extensive collection of resources. One such platform is Project Gutenberg, a nonprofit organization that provides over 60,000 free eBooks. These books are primarily in the public domain, meaning they can be freely distributed and downloaded. Project Gutenberg offers a wide range of classic literature, making it an excellent resource for literature enthusiasts. Another

popular platform for Goodman Gsx13 Remote Cooling Service Manual books and manuals is Open Library. Open Library is an initiative of the Internet Archive, a non-profit organization dedicated to digitizing cultural artifacts and making them accessible to the public. Open Library hosts millions of books, including both public domain works and contemporary titles. It also allows users to borrow digital copies of certain books for a limited period, similar to a library lending system. Additionally, many universities and educational institutions have their own digital libraries that provide free access to PDF books and manuals. These libraries often offer academic texts, research papers, and technical manuals, making them invaluable resources for students and researchers. Some notable examples include MIT OpenCourseWare, which offers free access to course materials from the Massachusetts Institute of Technology, and the Digital Public Library of America, which provides a vast collection of digitized books and historical documents. In conclusion, Goodman Gsx13 Remote Cooling Service Manual books and manuals for download have transformed the way we access information. They provide a cost-effective and convenient means of acquiring knowledge, offering the ability to access a vast library of resources at our fingertips. With platforms like Project Gutenberg, Open Library, and various digital libraries offered by educational institutions, we have access to an ever-expanding collection of books and manuals. Whether for educational, professional, or personal purposes, these digital resources serve as valuable tools for continuous learning and self-improvement. So why not take advantage of the vast world of Goodman Gsx13 Remote Cooling Service Manual books and manuals for download and embark on your journey of knowledge?

### **FAQs About Goodman Gsx13 Remote Cooling Service Manual Books**

How do I know which eBook platform is the best for me? Finding the best eBook platform depends on your reading preferences and device compatibility. Research different platforms, read user reviews, and explore their features before making a choice. Are free eBooks of good quality? Yes, many reputable platforms offer high-quality free eBooks, including classics and public domain works. However, make sure to verify the source to ensure the eBook credibility. Can I read eBooks without an eReader? Absolutely! Most eBook platforms offer web-based readers or mobile apps that allow you to read eBooks on your computer, tablet, or smartphone. How do I avoid digital eye strain while reading eBooks? To prevent digital eye strain, take regular breaks, adjust the font size and background color, and ensure proper lighting while reading eBooks. What the advantage of interactive eBooks? Interactive eBooks incorporate multimedia elements, quizzes, and activities, enhancing the reader engagement and providing a more immersive learning experience. Goodman Gsx13 Remote Cooling Service Manual is one of the best book in our library for free trial. We provide copy of Goodman Gsx13 Remote Cooling Service Manual in digital format, so the resources that you find are reliable. There are also many Ebooks of related with

Goodman Gsx13 Remote Cooling Service Manual. Where to download Goodman Gsx13 Remote Cooling Service Manual online for free? Are you looking for Goodman Gsx13 Remote Cooling Service Manual PDF? This is definitely going to save you time and cash in something you should think about.

**Find Goodman Gsx13 Remote Cooling Service Manual :**

**hide and seek the architecture of cabins and hideouts**

[high points a climbers guide to central america](#)

**hiking oregons geology hiking geology**

[hindu college delhi](#)

[high spirits digital teacher s resource book](#)

[hino 700 operators manual](#)

**high voltage rock roll biographie**

*hiisi fits mennonite soul journey*

[himalaya 2014 mindful edition where mountains touch the sky mindful editions](#)

high yield biostatistics 3rd ed high yield series

**hier mijn hand en daar je wang wat intieme correspondentie**

high field mr imaging medical radiology

high spectral density optical communication technologies optical and fiber communications reports

**higher education society joseph devitis**

**hillsborough eoc review algebra 1**

**Goodman Gsx13 Remote Cooling Service Manual :**

*easy french toast recipe bbc good food - Aug 21 2023*

web method step 1 whisk together the eggs milk cream vanilla and cinnamon lay the brioche slices in a single layer in a shallow step 2 heat 1 tbsp of the vegetable oil and butter in a non stick frying pan over a medium heat until foaming carefully step 3 serve dusted in icing sugar and

*classic french toast recipe with video and step by step martha stewart - Apr 17 2023*

web jun 30 2023 18 reviews make any breakfast or brunch special with our best french toast by martha stewart test kitchen updated on june 30 2023 servings 6 crispy on the outside and custardy inside french toast makes a delicious breakfast or



brunch it s a simple dish made with basic ingredients milk or cream eggs butter and bread

*how to make french toast perfectly food network* - Mar 16 2023

web 1 choose your bread and slice it thickly for particularly fluffy custardy french toast select bread like brioche or challah for something with a little more structure go for a country style

*brioche french toast recipe robert irvine food network* - Jan 14 2023

web french toast 722 reviews level easy total 30 min prep 20 min cook 10 min yield 4 servings nutrition info brioche and challah bread make the best french toast both are already so eggy that

*the best french toast recipe how to make it taste of home* - Jun 19 2023

web oct 13 2023 ingredients 1 1 2 cups half and half cream 3 large egg yolks 3 tablespoons brown sugar 2 teaspoons vanilla extract 3 4 teaspoon ground cinnamon 1 2 teaspoon salt 1 4 teaspoon ground nutmeg 8 slices day old brioche bread 1 inch thick optional toppings butter maple syrup fresh berries whipped cream and confectioners sugar directions

**the best french toast recipe simply recipes** - Oct 23 2023

web sep 26 2023 method make the egg mixture in a medium bowl whisk together the eggs milk and cinnamon stir in the orange zest and or soak the bread slices in egg mixture place each slice of bread into the milk egg mixture allowing the bread to soak in fry the french toast melt some butter in a large

**french toast recipe with video** - Sep 22 2023

web aug 21 2023 ingredients 2/3 cup milk 2 large eggs 1 teaspoon vanilla extract optional 1/4 teaspoon ground cinnamon optional salt to taste 6 thick slices bread 1 tablespoon unsalted butter or more as needed

**classic french toast recipe nyt cooking** - Feb 15 2023

web ingredients yield 4 servings 2 whole eggs 2 egg yolks 2 cups whole milk or 1 3/4 cups milk plus 2 to 4 tablespoons cream 1 teaspoon vanilla extract optional pinch of salt unsalted butter for

**french toast recipetin eats** - Jul 20 2023

web feb 23 2019 instructions whisk together egg mixture in a bowl vigorous whisk avoid cinnamon floating on top melt 15g 1 tbsp butter in a non stick skillet over medium heat dunk a piece of bread quickly into the egg mixture coating both sides place in pan repeat with more slices to fill cook for 2 1/2

*french toast recipe how to make french toast mccormick* - May 18 2023

web instructions 1 to make this easy french toast recipe whisk egg vanilla and cinnamon in shallow dish stir in milk 2 dip bread slices in egg mixture turning to coat evenly on both sides 3 cook bread slices on lightly greased nonstick griddle or skillet on medium heat until cooked through and

**the first step of jainism book work book jaina education series** - Jun 30 2023

web jun 23 2005 the first step of jainism book work book jaina education series kindle edition by jaina education committee shah pravin k download it once and read it on your kindle device pc phones or tablets use features like bookmarks note taking and highlighting while reading the first step of jainism book work book jaina

*the first step of jainism jaina education series kindle edition* - May 30 2023

web the first step of jainism jaina education series ebook jaina education committee pravin shah amazon in kindle store

**the first step of jainism jaina education series english** - Nov 23 2022

web apr 8 2005 the first step of jainism jaina education series english edition ebook jaina education committee pravin shah amazon de kindle store

**the first step of jainism jaina education series kindle edition** - Sep 02 2023

web apr 28 2005 the first step of jainism jaina education series kindle edition by jaina education committee pravin shah download it once and read it on your kindle device pc phones or tablets use features like bookmarks note taking and highlighting while reading the first step of jainism jaina education series

pathshala books jaina jainlink - Oct 03 2023

web work book of first step of jainism book jes 203q level 2 this is a companion book to first step of jainism jes203 the work book will provide needed assistance to pāthashālā teachers and students of level 2 classes it contains homework lessons of every chapter of the text book level 3 books ages 13 15 years

**the first step of jainism jaina education series 2023** - Feb 12 2022

web first step of jainism first steps to jainism the first step of jainism jaina education series downloaded from helpdesk bricksave com by guest mohammad beard first step of jainism a c black the book explains first steps of jainism there is an accompanying workbook jes 203q jainism motilal banarsidass this is a work

**jainism i basics of jainism jaina education series** - Dec 25 2022

web oct 1 2012 the book focuses on non violence vegetarianism and universal virtues such as kindness and honesty this way by exposing young children to jain virtues at an early age we are well on the path keeping jainism alive in the western world the book consists of 28 lessons which include more than 150 color photos

the first step of jainism book work book jaina education series - Apr 28 2023

web the first step of jainism book work book jaina education series ebook jaina education committee shah pravin k amazon com au kindle store

**first step of jainism jes 203 jaina education series** - Oct 23 2022

web jan 1 2004 first step of jainism jes 203 about the author jaina education committee 19 books 2 be the first join the discussion add a quote start a discussion ask a question can t find what you re looking for get help and learn more about the

design help center company

*an introduction to the jain faith article khan academy* - Jul 20 2022

web the first stage of their ascetic life was full of tests that they had to overcome showing their perseverance when faced with challenges this spiritual evolution finally led to full enlightenment known in jainism as omniscience kevalajñāna when a jina reaches this state they are then able to grasp everything everywhere whether it relates to past

*the first step of jainism jaina education series pdf dna* - Sep 21 2022

web oct 29 2023 2 2 the first step of jainism jaina education series 2023 06 23 religion their ethics and religious evolution in the form of jain temple architecture

*first step jainism by jaina education abebooks* - Mar 28 2023

web first step of jainism jes 203 jaina education series jes 203 by jaina education committee and a great selection of related books art and collectibles available now at abebooks com

the first step of jainism jaina education series goodreads - Aug 01 2023

web this stunning full color book is a unique approach to connect jain principles to everyday life basic principles of jainism are thoroughly explained and jain values are exemplified with both stories from scriptures and more modern parables poems anecdotes and quotes from scriptures scattered throughout enliven the pages

*the first step of jainism book work book jaina education series* - Apr 16 2022

web jul 24 2023 the first step of jainism book work book jaina april 24th 2020 the first step of jainism book work book jaina education series 2031 book pdf gt tinourl 16ix6c jainism and world peace ibiblio may 7th 2020 by stressing on pure simple and honest household life jainism paves the way for world peace it is an admitted fact these days

first step of jainism jes 203 jaina education series jes 203 - Mar 16 2022

web jan 1 2004 first step of jainism jes 203 jaina education series jes 203 jaina education committee preface on amazon com free shipping on qualifying offers first step of jainism jes 203 jaina education series jes 203

**the first step of jainism jaina education series ebook jaina** - Jan 26 2023

web apr 28 2005 the first step of jainism jaina education series ebook jaina education committee pravin shah amazon ca kindle store

*the first step of jainism book work book jaina education series* - Jun 18 2022

web the first step of jainism book work book jaina education series 2031 english edition by jaina education committee pravin k shah find helpful customer reviews and review ratings for the first step of jainism book work book jaina education series 2031 at

*the first step of jainism book work book jaina education series* - Feb 24 2023

web the first step of jainism book work book book read reviews from world s largest community for readers this is a companion book to first step of jaini

**the first step of jainism jaina education series khaja** - May 18 2022

web first step of jainism jaina education series partner that we offer here and check out the link you could purchase lead the first step of jainism jaina education series or get it as soon as feasible you could quickly download this the first step of jainism jaina education series after getting deal

*the first step of jainism jaina education series book 203* - Aug 21 2022

web free ebooks outlines of jainism oshwal news november 2015 by oshwal issuu the first step of jainism jaina education series book 203 happy holidays jaina education and jago jain jagore jainism presentation linkedin slideshare first

*physics gcse isa thermistors methods uniport edu* - May 04 2022

web method connect the thermistor to the multimeter the multimeter is set to work as an ohmmeter measuring resistance directly set the scale to an appropriate range setting fill

**physics gcse isa thermistors methods** - Feb 01 2022

web may 4 2023 physics gcse isa thermistors methods 2 7 downloaded from uniport edu ng on may 4 2023 by guest required in both their theory and practical

*gcse thermistor isa methods lia erc gov* - Oct 09 2022

web mar 16 2023 physics gcse isa thermistors methods is available in our digital library an online access to it is set as public so you can get it instantly our digital library saves in

*gcse physics electriicty what is a thermistor* - Mar 14 2023

web gcse aqa energy and heating aqa investigating methods of insulation thickness energy is transmitted by conduction convection or radiation the conductivity of materials

**physics gcse isa thermistors methods uniport edu** - Apr 03 2022

web right here we have countless books physics gcse isa thermistors methods and collections to check out we additionally present variant types and also type of the books

**physics gcse isa thermistors methods pdf uniport edu** - Nov 29 2021

energy and heating aqa investigating methods of - Jan 12 2023

web of this physics gcse isa thermistors methods can be taken as well as picked to act vacuum technology 2003 proceedings of the 1966 standards laboratory conference

**thermistors isa method gcse physics gcse** - Sep 20 2023

web jan 20 2015 method connect the thermistor to the multimeter the multimeter is set to work as an ohmmeter measuring resistance directly set the scale to an appropriate range

[gcse thermistor isa methods orientation sutd edu sg](#) - Apr 15 2023

web the resistance of a thermistor decreases if the temperature increases thermistors can be used as thermostats for example in computers under cool conditions the resistance of

**thermistors examples solutions videos notes online math** - Feb 13 2023

web the context set in the isa 6 gcse physics gcse isa thermistors methods 21 60mb by sugimoto nae download physics gcse isa thermistors methods by sugimoto nae in

[physics gcse isa thermistors methods copy forms imcost edu](#) - Jul 06 2022

web sep 2 2023 computer physics gcse isa thermistors methods is open in our digital library an online right of entry to it is set as public therefore you can download it instantly

[thermistors isa experiment method network eve gd](#) - Jun 05 2022

web mar 26 2023 physics gcse isa thermistors methods 2 10 downloaded from uniport edu ng on march 26 2023 by guest infertility and relevant lifestyle factors jane

**science gcse isa methods** - Aug 19 2023

web thermistors are used as temperature sensors for example in fire alarms their resistance decreases as the temperature increases at low temperatures the resistance of a

[physics gcse isa thermistors methods pdf uniport edu](#) - Aug 07 2022

web thermistors isa experiment method aqa gcse physics subject content australian bureau of met uses 1 second noise not like wmo aqa gcse additional science

[science gcse isa methods thermistors additional science](#) - Mar 02 2022

web 4 physics gcse isa thermistors methods 2022 07 11 to develop a solid background in physics new to this edition brand new unit on rotational dynamics attractive new

**thermistors and ldrs electric circuits wjec gcse** - Jul 18 2023

web jun 7 2020 this video introduces thermal resistors thermistors thermistors change their resistance with temperature the hotter it gets the lower the resistance it

[thermistors gcse physics youtube](#) - Jun 17 2023

web thermistors in this gcse physics video we look at thermistors first we look at how the resistance of a thermistor changes with temperature we then explore how resistors can

[thermistors freesciencelessons](#) - May 16 2023

web download gcse science core practicals thermistors isa method gcse physics thermistor isa yahoo answers gcse physics electricity what is a thermistor

*gcse thermistor isa methods ws 1 ps2pdf com* - Sep 08 2022

web physics gcse isa thermistors methods decoding physics gcse isa thermistors methods revealing the captivating potential of verbal expression in an era

physics gcse isa thermistors methods - Nov 10 2022

web wjec gcse science edexcel a level physics student book 2 aqa gcse 9 1 physics student book differentiated science teaching wjec gcse design and technology

*physics gcse isa thermistors methods files climagic org* - Dec 31 2021

**gcse thermistor isa methods mypthub** - Dec 11 2022

web gcse thermistor isa methods 21 60mb grabb physics gcse isa thermistors methods mobi update physics gcse isa thermistors methods methods for thermistor isa aqa