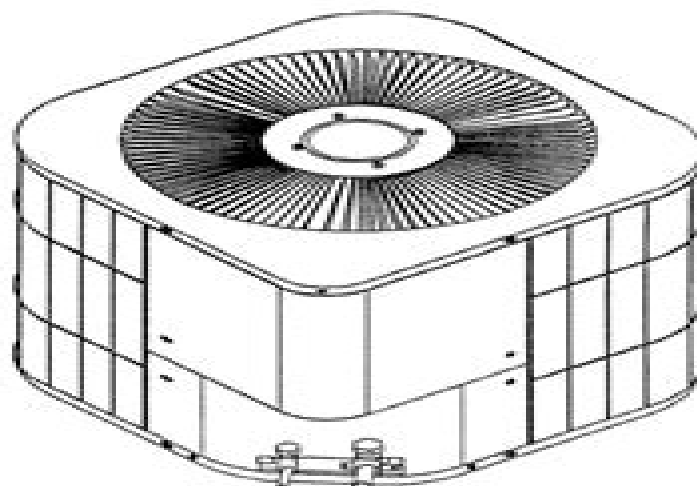


INSTALLATION & OPERATING INSTRUCTIONS

HAVE YOU DISCUSSED WITH YOUR
INSTALLING CONTRACTOR THE
OPTIONAL \$ 300.00 2ND THROUGH
5TH YEAR COMPRESSOR LABOR
ALLOWANCE PROGRAM?

For The United States and Canada only



CK - SERIES CONDENSING UNIT

Goodman Manufacturing Co., L.P.
1501 Searnist, Houston, Texas 77008
(713) 861-2500

Goodman Model Ck30 1d Manual

D Keegan



Goodman Model Ck30 1d Manual:

Getting the books **Goodman Model Ck30 1d Manual** now is not type of challenging means. You could not forlorn going as soon as books buildup or library or borrowing from your friends to retrieve them. This is an extremely easy means to specifically acquire lead by on-line. This online pronouncement Goodman Model Ck30 1d Manual can be one of the options to accompany you considering having extra time.

It will not waste your time. acknowledge me, the e-book will unquestionably circulate you supplementary thing to read. Just invest little times to log on this on-line statement **Goodman Model Ck30 1d Manual** as well as review them wherever you are now.

http://www.armchairempire.com/About/browse/Documents/His_Secondhand_Wife_Epub.pdf

Table of Contents Goodman Model Ck30 1d Manual

1. Understanding the eBook Goodman Model Ck30 1d Manual
 - The Rise of Digital Reading Goodman Model Ck30 1d Manual
 - Advantages of eBooks Over Traditional Books
2. Identifying Goodman Model Ck30 1d Manual
 - Exploring Different Genres
 - Considering Fiction vs. Non-Fiction
 - Determining Your Reading Goals
3. Choosing the Right eBook Platform
 - Popular eBook Platforms
 - Features to Look for in an Goodman Model Ck30 1d Manual
 - User-Friendly Interface
4. Exploring eBook Recommendations from Goodman Model Ck30 1d Manual
 - Personalized Recommendations
 - Goodman Model Ck30 1d Manual User Reviews and Ratings
 - Goodman Model Ck30 1d Manual and Bestseller Lists

5. Accessing Goodman Model Ck30 1d Manual Free and Paid eBooks
 - Goodman Model Ck30 1d Manual Public Domain eBooks
 - Goodman Model Ck30 1d Manual eBook Subscription Services
 - Goodman Model Ck30 1d Manual Budget-Friendly Options
6. Navigating Goodman Model Ck30 1d Manual eBook Formats
 - ePub, PDF, MOBI, and More
 - Goodman Model Ck30 1d Manual Compatibility with Devices
 - Goodman Model Ck30 1d Manual Enhanced eBook Features
7. Enhancing Your Reading Experience
 - Adjustable Fonts and Text Sizes of Goodman Model Ck30 1d Manual
 - Highlighting and Note-Taking Goodman Model Ck30 1d Manual
 - Interactive Elements Goodman Model Ck30 1d Manual
8. Staying Engaged with Goodman Model Ck30 1d Manual
 - Joining Online Reading Communities
 - Participating in Virtual Book Clubs
 - Following Authors and Publishers Goodman Model Ck30 1d Manual
9. Balancing eBooks and Physical Books Goodman Model Ck30 1d Manual
 - Benefits of a Digital Library
 - Creating a Diverse Reading Collection Goodman Model Ck30 1d Manual
10. Overcoming Reading Challenges
 - Dealing with Digital Eye Strain
 - Minimizing Distractions
 - Managing Screen Time
11. Cultivating a Reading Routine Goodman Model Ck30 1d Manual
 - Setting Reading Goals Goodman Model Ck30 1d Manual
 - Carving Out Dedicated Reading Time
12. Sourcing Reliable Information of Goodman Model Ck30 1d Manual
 - Fact-Checking eBook Content of Goodman Model Ck30 1d Manual
 - Distinguishing Credible Sources
13. Promoting Lifelong Learning

- Utilizing eBooks for Skill Development
 - Exploring Educational eBooks
14. Embracing eBook Trends
- Integration of Multimedia Elements
 - Interactive and Gamified eBooks

Goodman Model Ck30 1d Manual Introduction

In today's digital age, the availability of Goodman Model Ck30 1d Manual books and manuals for download has revolutionized the way we access information. Gone are the days of physically flipping through pages and carrying heavy textbooks or manuals. With just a few clicks, we can now access a wealth of knowledge from the comfort of our own homes or on the go. This article will explore the advantages of Goodman Model Ck30 1d Manual books and manuals for download, along with some popular platforms that offer these resources. One of the significant advantages of Goodman Model Ck30 1d Manual books and manuals for download is the cost-saving aspect. Traditional books and manuals can be costly, especially if you need to purchase several of them for educational or professional purposes. By accessing Goodman Model Ck30 1d Manual versions, you eliminate the need to spend money on physical copies. This not only saves you money but also reduces the environmental impact associated with book production and transportation. Furthermore, Goodman Model Ck30 1d Manual books and manuals for download are incredibly convenient. With just a computer or smartphone and an internet connection, you can access a vast library of resources on any subject imaginable. Whether you're a student looking for textbooks, a professional seeking industry-specific manuals, or someone interested in self-improvement, these digital resources provide an efficient and accessible means of acquiring knowledge. Moreover, PDF books and manuals offer a range of benefits compared to other digital formats. PDF files are designed to retain their formatting regardless of the device used to open them. This ensures that the content appears exactly as intended by the author, with no loss of formatting or missing graphics. Additionally, PDF files can be easily annotated, bookmarked, and searched for specific terms, making them highly practical for studying or referencing. When it comes to accessing Goodman Model Ck30 1d Manual books and manuals, several platforms offer an extensive collection of resources. One such platform is Project Gutenberg, a nonprofit organization that provides over 60,000 free eBooks. These books are primarily in the public domain, meaning they can be freely distributed and downloaded. Project Gutenberg offers a wide range of classic literature, making it an excellent resource for literature enthusiasts. Another popular platform for Goodman Model Ck30 1d Manual books and manuals is Open Library. Open Library is an initiative of the Internet Archive, a non-profit organization dedicated to digitizing cultural artifacts and making them accessible to the public. Open Library hosts millions of books, including both public domain works and contemporary

titles. It also allows users to borrow digital copies of certain books for a limited period, similar to a library lending system. Additionally, many universities and educational institutions have their own digital libraries that provide free access to PDF books and manuals. These libraries often offer academic texts, research papers, and technical manuals, making them invaluable resources for students and researchers. Some notable examples include MIT OpenCourseWare, which offers free access to course materials from the Massachusetts Institute of Technology, and the Digital Public Library of America, which provides a vast collection of digitized books and historical documents. In conclusion, Goodman Model Ck30 1d Manual books and manuals for download have transformed the way we access information. They provide a cost-effective and convenient means of acquiring knowledge, offering the ability to access a vast library of resources at our fingertips. With platforms like Project Gutenberg, Open Library, and various digital libraries offered by educational institutions, we have access to an ever-expanding collection of books and manuals. Whether for educational, professional, or personal purposes, these digital resources serve as valuable tools for continuous learning and self-improvement. So why not take advantage of the vast world of Goodman Model Ck30 1d Manual books and manuals for download and embark on your journey of knowledge?

FAQs About Goodman Model Ck30 1d Manual Books

1. Where can I buy Goodman Model Ck30 1d Manual books? Bookstores: Physical bookstores like Barnes & Noble, Waterstones, and independent local stores. Online Retailers: Amazon, Book Depository, and various online bookstores offer a wide range of books in physical and digital formats.
2. What are the different book formats available? Hardcover: Sturdy and durable, usually more expensive. Paperback: Cheaper, lighter, and more portable than hardcovers. E-books: Digital books available for e-readers like Kindle or software like Apple Books, Kindle, and Google Play Books.
3. How do I choose a Goodman Model Ck30 1d Manual book to read? Genres: Consider the genre you enjoy (fiction, non-fiction, mystery, sci-fi, etc.). Recommendations: Ask friends, join book clubs, or explore online reviews and recommendations. Author: If you like a particular author, you might enjoy more of their work.
4. How do I take care of Goodman Model Ck30 1d Manual books? Storage: Keep them away from direct sunlight and in a dry environment. Handling: Avoid folding pages, use bookmarks, and handle them with clean hands. Cleaning: Gently dust the covers and pages occasionally.
5. Can I borrow books without buying them? Public Libraries: Local libraries offer a wide range of books for borrowing. Book Swaps: Community book exchanges or online platforms where people exchange books.

6. How can I track my reading progress or manage my book collection? Book Tracking Apps: Goodreads, LibraryThing, and Book Catalogue are popular apps for tracking your reading progress and managing book collections. Spreadsheets: You can create your own spreadsheet to track books read, ratings, and other details.
7. What are Goodman Model Ck30 1d Manual audiobooks, and where can I find them? Audiobooks: Audio recordings of books, perfect for listening while commuting or multitasking. Platforms: Audible, LibriVox, and Google Play Books offer a wide selection of audiobooks.
8. How do I support authors or the book industry? Buy Books: Purchase books from authors or independent bookstores. Reviews: Leave reviews on platforms like Goodreads or Amazon. Promotion: Share your favorite books on social media or recommend them to friends.
9. Are there book clubs or reading communities I can join? Local Clubs: Check for local book clubs in libraries or community centers. Online Communities: Platforms like Goodreads have virtual book clubs and discussion groups.
10. Can I read Goodman Model Ck30 1d Manual books for free? Public Domain Books: Many classic books are available for free as they're in the public domain. Free E-books: Some websites offer free e-books legally, like Project Gutenberg or Open Library.

Find Goodman Model Ck30 1d Manual :

his secondhand wife epub

his forbidden fantasy

history of evolutionary thought study guide answers

[hippocrates father of medicine](#)

[history of nordic computing](#) ~~history of nordic computing~~

history modern fashion daniel james

historie van mejuffrouw sara burgerhart eerste deel

[history without the boring bits](#)

[histoires pour sendormir lire maman](#)

[history united states navy vol](#)

[history and historians gilderhus](#)

history of scituate massachusetts

[hino work shop manual](#)

history paper grade 11 exemplar june 2014**hitachi 60vx500 lcd rear projection television repair manual addendum****Goodman Model Ck30 1d Manual :**

solutions to exercises This manual, Solutions to Exercises in Chemistry: The Central Science, 12th edition, was written to enhance the end-of-chapter exercises by providing ... Chemistry the Central Science: Solutions To Exercises Full solutions to all end-of-chapter exercises in the text are provided. With an instructor's permission, this manual may be made available to students. Solutions To Exercises For Chemistry The Central Science ... Solutions To Exercises For Chemistry The Central Science 12th Edition PDF · Uploaded by · Document Information · Share this document · Sharing Options · Copyright:.

Solutions to exercises [for] Chemistry : the central science, ... This manual was written to enhance the end-of-chapter exercises by providing documented solutions. The manual assists the instructor by saving time spent ... Solutions Manual to Exercises for Chemistry: The Central ... Buy Solutions Manual to Exercises for Chemistry: The Central Science on Amazon.com ☐ FREE SHIPPING on qualified orders. Solutions to Black Exercises, The Central Science, 11th ... Solutions to Black Exercises, The Central Science, 11th Edition, by Theodore L. Brown, H. Chemistry: The Central Science - 14th Edition - Solutions ... Find step-by-step solutions and answers to Chemistry: The Central Science ... solutions manuals or printing out PDFs! Now, with expert-verified solutions ... Solutions Manual to Exercises for Chemistry: The Central Solutions Manual to Exercises for Chemistry: The Central Science. ... 1. Solutions Manual to Exercises for Chemistry: The Central Science. 0 ratings by Goodreads ... Solutions Manual to Exercises for Chemistry: The Central ... Solutions Manual to Exercises for Chemistry: The Central Science. by Brown, Theodore. List Price: \$84.20; ISBN-10: 0134552245; ISBN-13: 9780134552248. Solutions Manual for Chemistry The Central Science 12th ... Feb 23, 2019 — Solutions Manual for Chemistry The Central Science 12th Edition by Brown Full Download: ... Social Welfare Policy Analysis and Choices - 1st Edition The book's approach is to develop a framework for looking at the underlying issues, ideologies, social and economic forces, culture, and institutionalized ... Social Welfare Policy Analysis and Choices - Hobart A. Burch Social Welfare Policy Analysis and Choices gives you a thorough introduction to social welfare policy analysis. The knowledge you'll gain from its pages ... Social Welfare Policy Analysis and... by: Hobart A Burch The book's approach is to develop a framework for looking at the underlying issues, ideologies, social and economic forces, culture, and institutionalized ... Social welfare policy and social programs : a values ... Summary: "Offering a new values perspective, Elizabeth Segal's SOCIAL WELFARE POLICY AND SOCIAL PROGRAMS takes the student beyond identifying, describing, ... Social Welfare Policy Analysis and Choices - Hobart A Burch The book's approach is to develop a framework for looking at the underlying issues, ideologies, social and economic forces, culture, and institutionalized ... SOWK 4120 Social Policy Analysis, Advocacy and Practice This foundation course analyzes contemporary

societal needs and problems, as well as the historical and current context of U.S. social welfare programs and ... API-102: Resources, Incentives, and Choices II: Analysis of ... This course builds on API-101 to develop microeconomic and macroeconomic tools of analysis for policy problems through various policy applications. State Level Public Policy Choices as Predictors of ... by SL Zimmerman · 1988 · Cited by 28 — An exploratory multiple regression analysis shows that the predictors of state teen birthrates are state poverty rates, low. SW 300: Social Welfare Policy Analysis 6 days ago — SW 300: Social Welfare Policy Analysis; Finding Information by Source Type. Search this Guide Search. SW 300: Social Welfare Policy Analysis. NRP 6th Ed. Super Set Flashcards Study with Quizlet and memorize flashcards containing terms like About ____% of newborns will require some assistance to begin regular breathing, ... NRP 6th Ed. Ch 1 Overview & Principles - Key Points Study with Quizlet and memorize flashcards containing terms like 1 most newly born babies vigorous. Only about 10 percent require some kind of assistance ... 2022 NRP Practice EXAM Questions AND Answers ALL ... 2022 NRP Practice EXAM Questions AND Answers ALL Solved Solution 2022 nrp practice exam questions and answers all solved solution your team has provided ... NRP 8th Edition Test Answers 2023 Apr 19, 2023 — NRP 8th Edition Test Answers 2023 ; What is the initial oxygen concentration for preterm newborns less than 35 weeks gestation? 21-30% ; What is ... nrp practice exam 2022_questions and answers all solved ... 2022 NRP PRACTICE EXAM QUESTIONS AND ANSWERS ALL SOLVED SOLUTION Your team has provided face-mask PPV with chest movement for 30 seconds. NRP Exam and answers.docx - Here is a table with ... Here is a table with answers to the Neonatal Resuscitation Practice 8th Edition exams and tests. QuestionAnswer Your team has provided face-mask PPVwith chest ... 2022 NRP Practice EXAM Questions AND Answers ALL ... 2022 NRP PRACTICE EXAM QUESTIONS AND. ANSWERS ALL SOLVED SOLUTION. Your team has provided face-mask PPV with chest movement for 30 seconds. NRP 8th Edition Quiz Answers Part 1 Pre assessment 2023 ... Nrp Test Answers NRP 8th Edition Test Exams Questions with Answers(Latest Update):Complete Version ... 6th Grade Ccss Pacing Guide PDF Kindle. The NRP exam answers PDF for 2023 ...