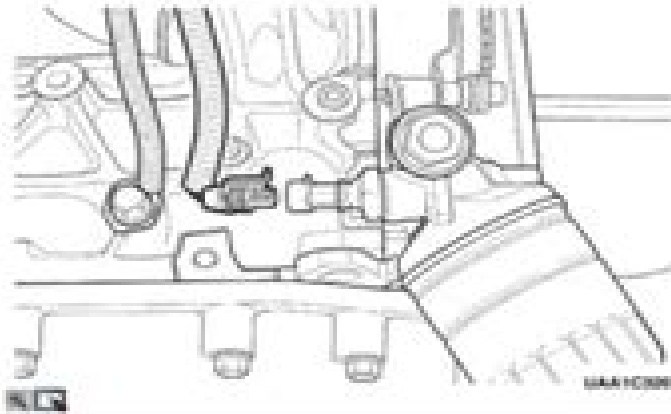


Chevrolet Tacuma 2000-2008 Workshop Manual



OIL PUMP

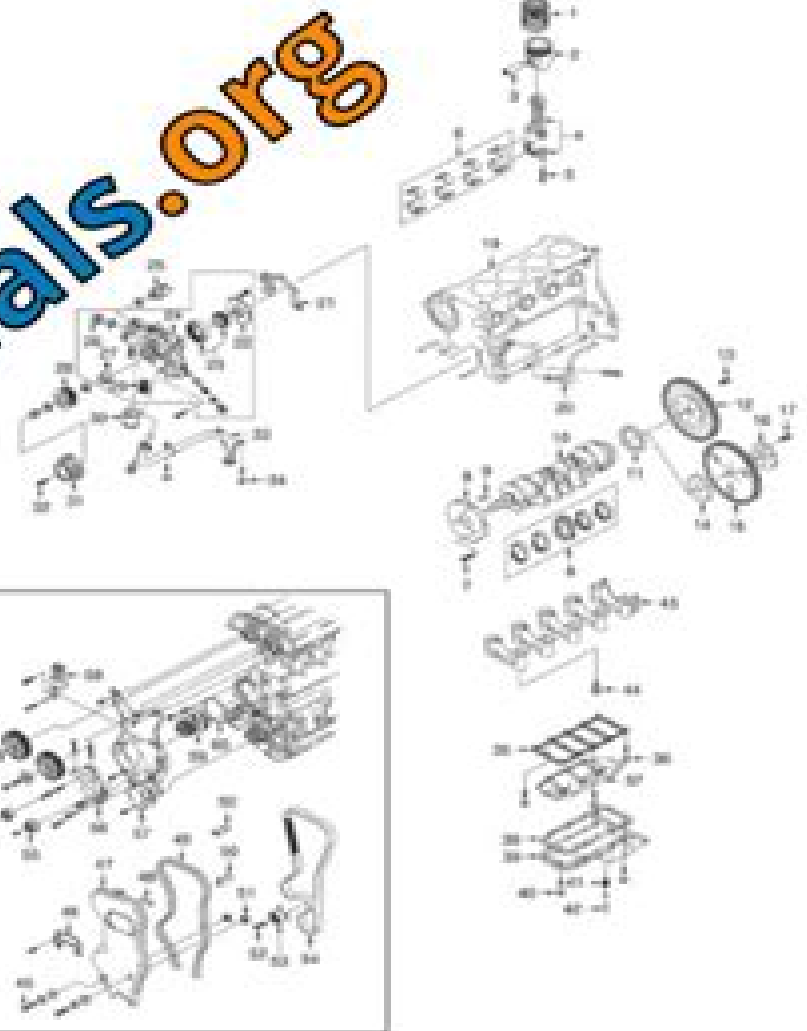
Removal and Installation Procedure

1. Disconnect the negative battery cable.
2. Remove the timing belt. Refer to [Timing Belt](#) in this section.
3. Remove the rear timing belt cover. Refer to [Rear Timing Belt Cover](#) in this section.
4. Disconnect the oil pressure switch connector.



LOWER END

Download



workshopmanuals.org

Gm Tacuma Repair Manual

Jicheng Xie



Gm Tacuma Repair Manual:

General Motors Full-Size Trucks (99-01) Repair Manual Jeff Kibler, 2002 This manual offers do it yourselfers at all levels total maintenance service and repair information including photos and exploded view illustrations **Chevrolet S-10 & Blazer, GMC Sonoma & Jimmy, Oldsmobile Bravada, Isuzu Hombre** Robert Maddox, John Harold Haynes, 2002-01-21 Covers Chevy S 10 and GMC Sonoma pickups 1994 2001 Blazer and Jimmy 1995 2001 and Oldsmobile Bravada Isuzu Hombre 1996 2001 **Chilton's GM Diagnosis and Repair Manual** Chilton Automotive Books, Chilton Automotive Editorial Staff, 1983-02-01 **GM Light Duty Truck Repair Manual** Pasquale De Marco, 2025-08-12 GM Light Duty Truck Repair Manual is the definitive guide to maintaining and repairing light duty GM trucks With comprehensive coverage and user friendly instructions this book empowers owners of Chevrolet Silverado and GMC Sierra trucks to tackle any task with confidence From basic maintenance to advanced troubleshooting GM Light Duty Truck Repair Manual provides a structured journey through the intricacies of your truck s systems Whether you re facing engine issues transmission problems or electrical gremlins our step by step instructions and detailed illustrations will guide you through the repair process empowering you to get your truck back on the road in no time Beyond troubleshooting we delve into the intricacies of preventative maintenance ensuring your truck operates at its peak performance for years to come Our comprehensive maintenance schedule tailored to your specific model covers everything from fluid changes and tire rotations to battery maintenance and filter replacements For those seeking to delve deeper into the mechanical workings of their truck we provide in depth insights into the diagnosis and repair of complex systems such as the engine transmission suspension and brakes With clear explanations and real world examples we empower you to understand the root cause of any issue and tackle repairs with confidence Whether you re a DIY enthusiast or prefer to work alongside a professional mechanic GM Light Duty Truck Repair Manual is your indispensable companion Our comprehensive coverage and user friendly approach will provide you with the knowledge and skills to maintain your GM truck with confidence and precision Get ready to unlock the secrets of your vehicle and experience the satisfaction of keeping it in pristine condition for years to come In addition to its practical guidance GM Light Duty Truck Repair Manual is packed with valuable tips and insights from experienced mechanics We share our knowledge on choosing the right tools organizing your workspace and staying safe while working on your truck Whether you re a seasoned pro or just starting out GM Light Duty Truck Repair Manual will empower you to tackle any task with competence and confidence If you like this book write a review **Full-Size Trucks, 1980-87** Chilton Automotive Books, The Nichols/Chilton, 1994 Covers all models of Chevrolet GMC 1 2 3 4 and 1 ton Pick Ups and Suburban Blazer and Jimmy 2 and 4 wheel drive including diesel engines *Film & Video Finder*, 1989 [Chevrolet & GMC Pick-ups Automotive Repair Manual](#) Ken Freund, John Harold Haynes, 1990 **GM Diagnosis and Repair Manual** General Motors Corporation, 1978 [General Motors Chevrolet Lumina APV, Oldsmobile Silhouette, Pontiac Trans Sport Automotive Repair](#)

Manual J. J. Haynes, John Harold Haynes, 1996 Haynes disassembles every subject vehicle and documents every step with thorough instructions and clear photos Haynes repair manuals are used by the pros but written for the do it yourselfer

GM Diagnosis and Repair Manual, 1977 **Chilton's General Motors TrailBlazer, 2002-09 Repair Manual** Alan Ahlstrand, Ralph Rendina, 2011 Total Car Care is the most complete step by step automotive repair manual you ll ever use All repair procedures are supported by detailed specifications exploded views and photographs From the simplest repair procedure to the most complex trust Chilton s Total Car Care to give you everything you need to do the job Save time and money by doing it yourself with the confidence only a Chilton Repair Manual can provide Chevrolet Silverado and GMC Sierra '99 Thru '05 Jeff Kibler, John H. Haynes, 2006-02-17 This repair manual covers Chevrolet Silverado pick up 1999 2002 Suburban and Tahoe SUV 2000 2002 GMC Sierra pick ups 1999 2002 Yukon and Yukon XL 2000 2002 2WD 4WD Note this manual does not include C K Classic diesel 8 1L engine or heavy duty model information **Chevrolet Astro & GMC Safari** **Mini-vans Automotive Repair Manual** Ken Freund, John Harold Haynes, J. H. Haynes, 1999 Chevrolet GMC Mini Vans 1985 1998 Repair Manual Haynes Sftbd 8 1 4x 1 3 4 317 pgs 76 b w ill General Motors J-Cars Automotive Repair Manual Larry Warren, John Harold Haynes, 1990 General Motors N-cars Automotive Repair Manual Richard Lindwall, John Harold Haynes, 1995 GM N Cars 1985 95 Shop Manual Haynes 376 pgs 902 ill **GM A-Cars Automotive Repair Manual** Larry Warren, 1989 **GM Diagnosis and Repair Manual** General Motors Corporation, 1977 **Chevrolet Astro and Gmc Safari Mini-Vans Automotive Repair Manual** Ken Freund, John Harold Haynes, 1993 Astro GMC Safari Mini Vans 1985 93 Shop Manual Haynes 325 pgs 780 ill **GM: Chevrolet Malibu (04-12), Pontiac G6 (05-10) & Saturn Aura (07-10) Haynes Repair Manual** Haynes Publishing, 2018-06-26 Each Haynes manual provides specific and detailed instructions for performing everything from basic maintenance and troubleshooting to a complete overhaul of the machine in this case the GM Chevrolet Malibu model years 2004 12 Pontiac G6 model years 2005 10 and Saturn Aura model years 2007 10 Do it yourselfers will find this service and repair manual more comprehensive than the factory manual making it an indispensable part of their tool box A typical Haynes manual covers general information troubleshooting lubrication and routine maintenance engine top end engine lower end primary drive clutch and external shift mechanism transmission and internal shift mechanism engine management system electrical system wheels tires and drivebelt front suspension and steering rear suspension brakes body and color wiring diagrams An index makes the manual easy to navigate **General Motors Full-Size Trucks** Jeff Kibler, 2005-01-05 Covers U S and Canadian models of Chevrolet Silverado and GMC Sierra Pick ups Chevrolet Suburban and Tahoe 2000 through 2002 GMC Yukon XL 2000 through 2002 Two and four wheel drive gasoline engine versions Does not include C K Classic diesel 8 1L engine or heavy duty model information

Getting the books **Gm Tacuma Repair Manual** now is not type of challenging means. You could not unaided going afterward book accrual or library or borrowing from your contacts to admittance them. This is an entirely simple means to specifically get guide by on-line. This online proclamation Gm Tacuma Repair Manual can be one of the options to accompany you following having new time.

It will not waste your time. resign yourself to me, the e-book will agreed melody you other business to read. Just invest tiny period to retrieve this on-line revelation **Gm Tacuma Repair Manual** as competently as evaluation them wherever you are now.

<http://www.armchairempire.com/data/book-search/index.jsp/Jonny%20Juicebag%20Allerletzte%20Weltraum%20Kurier%20Science%20Fiction%20Parodie%20Ebook.pdf>

Table of Contents Gm Tacuma Repair Manual

1. Understanding the eBook Gm Tacuma Repair Manual
 - The Rise of Digital Reading Gm Tacuma Repair Manual
 - Advantages of eBooks Over Traditional Books
2. Identifying Gm Tacuma Repair Manual
 - Exploring Different Genres
 - Considering Fiction vs. Non-Fiction
 - Determining Your Reading Goals
3. Choosing the Right eBook Platform
 - Popular eBook Platforms
 - Features to Look for in an Gm Tacuma Repair Manual
 - User-Friendly Interface
4. Exploring eBook Recommendations from Gm Tacuma Repair Manual
 - Personalized Recommendations
 - Gm Tacuma Repair Manual User Reviews and Ratings

- Gm Tacuma Repair Manual and Bestseller Lists
- 5. Accessing Gm Tacuma Repair Manual Free and Paid eBooks
 - Gm Tacuma Repair Manual Public Domain eBooks
 - Gm Tacuma Repair Manual eBook Subscription Services
 - Gm Tacuma Repair Manual Budget-Friendly Options
- 6. Navigating Gm Tacuma Repair Manual eBook Formats
 - ePub, PDF, MOBI, and More
 - Gm Tacuma Repair Manual Compatibility with Devices
 - Gm Tacuma Repair Manual Enhanced eBook Features
- 7. Enhancing Your Reading Experience
 - Adjustable Fonts and Text Sizes of Gm Tacuma Repair Manual
 - Highlighting and Note-Taking Gm Tacuma Repair Manual
 - Interactive Elements Gm Tacuma Repair Manual
- 8. Staying Engaged with Gm Tacuma Repair Manual
 - Joining Online Reading Communities
 - Participating in Virtual Book Clubs
 - Following Authors and Publishers Gm Tacuma Repair Manual
- 9. Balancing eBooks and Physical Books Gm Tacuma Repair Manual
 - Benefits of a Digital Library
 - Creating a Diverse Reading Collection Gm Tacuma Repair Manual
- 10. Overcoming Reading Challenges
 - Dealing with Digital Eye Strain
 - Minimizing Distractions
 - Managing Screen Time
- 11. Cultivating a Reading Routine Gm Tacuma Repair Manual
 - Setting Reading Goals Gm Tacuma Repair Manual
 - Carving Out Dedicated Reading Time
- 12. Sourcing Reliable Information of Gm Tacuma Repair Manual
 - Fact-Checking eBook Content of Gm Tacuma Repair Manual
 - Distinguishing Credible Sources

13. Promoting Lifelong Learning
 - Utilizing eBooks for Skill Development
 - Exploring Educational eBooks
14. Embracing eBook Trends
 - Integration of Multimedia Elements
 - Interactive and Gamified eBooks

Gm Tacuma Repair Manual Introduction

In today's digital age, the availability of Gm Tacuma Repair Manual books and manuals for download has revolutionized the way we access information. Gone are the days of physically flipping through pages and carrying heavy textbooks or manuals. With just a few clicks, we can now access a wealth of knowledge from the comfort of our own homes or on the go. This article will explore the advantages of Gm Tacuma Repair Manual books and manuals for download, along with some popular platforms that offer these resources. One of the significant advantages of Gm Tacuma Repair Manual books and manuals for download is the cost-saving aspect. Traditional books and manuals can be costly, especially if you need to purchase several of them for educational or professional purposes. By accessing Gm Tacuma Repair Manual versions, you eliminate the need to spend money on physical copies. This not only saves you money but also reduces the environmental impact associated with book production and transportation. Furthermore, Gm Tacuma Repair Manual books and manuals for download are incredibly convenient. With just a computer or smartphone and an internet connection, you can access a vast library of resources on any subject imaginable. Whether you're a student looking for textbooks, a professional seeking industry-specific manuals, or someone interested in self-improvement, these digital resources provide an efficient and accessible means of acquiring knowledge. Moreover, PDF books and manuals offer a range of benefits compared to other digital formats. PDF files are designed to retain their formatting regardless of the device used to open them. This ensures that the content appears exactly as intended by the author, with no loss of formatting or missing graphics. Additionally, PDF files can be easily annotated, bookmarked, and searched for specific terms, making them highly practical for studying or referencing. When it comes to accessing Gm Tacuma Repair Manual books and manuals, several platforms offer an extensive collection of resources. One such platform is Project Gutenberg, a nonprofit organization that provides over 60,000 free eBooks. These books are primarily in the public domain, meaning they can be freely distributed and downloaded. Project Gutenberg offers a wide range of classic literature, making it an excellent resource for literature enthusiasts. Another popular platform for Gm Tacuma Repair Manual books and manuals is Open Library. Open Library is an initiative of the Internet Archive, a non-profit organization dedicated to digitizing cultural artifacts and making them accessible to the public. Open Library hosts millions

of books, including both public domain works and contemporary titles. It also allows users to borrow digital copies of certain books for a limited period, similar to a library lending system. Additionally, many universities and educational institutions have their own digital libraries that provide free access to PDF books and manuals. These libraries often offer academic texts, research papers, and technical manuals, making them invaluable resources for students and researchers. Some notable examples include MIT OpenCourseWare, which offers free access to course materials from the Massachusetts Institute of Technology, and the Digital Public Library of America, which provides a vast collection of digitized books and historical documents. In conclusion, Gm Tacuma Repair Manual books and manuals for download have transformed the way we access information. They provide a cost-effective and convenient means of acquiring knowledge, offering the ability to access a vast library of resources at our fingertips. With platforms like Project Gutenberg, Open Library, and various digital libraries offered by educational institutions, we have access to an ever-expanding collection of books and manuals. Whether for educational, professional, or personal purposes, these digital resources serve as valuable tools for continuous learning and self-improvement. So why not take advantage of the vast world of Gm Tacuma Repair Manual books and manuals for download and embark on your journey of knowledge?

FAQs About Gm Tacuma Repair Manual Books

How do I know which eBook platform is the best for me? Finding the best eBook platform depends on your reading preferences and device compatibility. Research different platforms, read user reviews, and explore their features before making a choice. Are free eBooks of good quality? Yes, many reputable platforms offer high-quality free eBooks, including classics and public domain works. However, make sure to verify the source to ensure the eBook credibility. Can I read eBooks without an eReader? Absolutely! Most eBook platforms offer webbased readers or mobile apps that allow you to read eBooks on your computer, tablet, or smartphone. How do I avoid digital eye strain while reading eBooks? To prevent digital eye strain, take regular breaks, adjust the font size and background color, and ensure proper lighting while reading eBooks. What the advantage of interactive eBooks? Interactive eBooks incorporate multimedia elements, quizzes, and activities, enhancing the reader engagement and providing a more immersive learning experience. Gm Tacuma Repair Manual is one of the best book in our library for free trial. We provide copy of Gm Tacuma Repair Manual in digital format, so the resources that you find are reliable. There are also many Ebooks of related with Gm Tacuma Repair Manual. Where to download Gm Tacuma Repair Manual online for free? Are you looking for Gm Tacuma Repair Manual PDF? This is definitely going to save you time and cash in something you should think about. If you trying to find then search around for online. Without a doubt there are numerous these available and many of them have the freedom. However without doubt you receive whatever you

purchase. An alternate way to get ideas is always to check another Gm Tacuma Repair Manual. This method for see exactly what may be included and adopt these ideas to your book. This site will almost certainly help you save time and effort, money and stress. If you are looking for free books then you really should consider finding to assist you try this. Several of Gm Tacuma Repair Manual are for sale to free while some are payable. If you arent sure if the books you would like to download works with for usage along with your computer, it is possible to download free trials. The free guides make it easy for someone to free access online library for download books to your device. You can get free download on free trial for lots of books categories. Our library is the biggest of these that have literally hundreds of thousands of different products categories represented. You will also see that there are specific sites catered to different product types or categories, brands or niches related with Gm Tacuma Repair Manual. So depending on what exactly you are searching, you will be able to choose e books to suit your own need. Need to access completely for Campbell Biology Seventh Edition book? Access Ebook without any digging. And by having access to our ebook online or by storing it on your computer, you have convenient answers with Gm Tacuma Repair Manual To get started finding Gm Tacuma Repair Manual, you are right to find our website which has a comprehensive collection of books online. Our library is the biggest of these that have literally hundreds of thousands of different products represented. You will also see that there are specific sites catered to different categories or niches related with Gm Tacuma Repair Manual So depending on what exactly you are searching, you will be able tochoose ebook to suit your own need. Thank you for reading Gm Tacuma Repair Manual. Maybe you have knowledge that, people have search numerous times for their favorite readings like this Gm Tacuma Repair Manual, but end up in harmful downloads. Rather than reading a good book with a cup of coffee in the afternoon, instead they juggled with some harmful bugs inside their laptop. Gm Tacuma Repair Manual is available in our book collection an online access to it is set as public so you can download it instantly. Our digital library spans in multiple locations, allowing you to get the most less latency time to download any of our books like this one. Merely said, Gm Tacuma Repair Manual is universally compatible with any devices to read.

Find Gm Tacuma Repair Manual :

jonny juicebag allerletzte weltraum kurier science fiction parodie ebook

[jrc 1000 manual](#)

[jrtc rotation schedule 2013](#)

~~joy the baker cookbook 100 simple and comforting recipes~~

judaspenningen en pauweveren

~~jour pour mettre lespagnol audio~~

[johnson evinrude outboard motor boat service manual](#)

[joy wb 14 compressor manual](#)

[journal of a ufo investigator a novel](#)

[journey of thieves legends of dimmingwood book 5](#)

[johnson seahorse 4hp 1998 manual](#)

jokes for kids elephant jokes 50 funny jokes for kids

[johnson outboard motor users manual model j50tlere](#)

jojo mayer

juarez seeds in the desert

Gm Tacuma Repair Manual :

[fluid mechanics dover books on physics paperback gibson s](#) - Nov 06 2022

web fluid mechanics dover books on physics paperback by robert a granger 38 95 add to wish list usually ships in 1 5 days

description text by a noted authority in the field is specially designed to provide an orderly structured introduction to fluid

mechanics a field all too often seen by students as an amorphous mass of disparate

[lectures on fluid mechanics dover books on physics physics](#) - Apr 30 2022

web lectures on fluid mechanics dover books on physics physics bran s story the slave breakers 1 by maculategiraffe 1 of 5

stars 2 of 5 stars 3 of 5 stars 4 of 5 stars 5 of 5 stars not in library 4 the war on horror tales from a post zombie society

fluid mechanics dover books on physics amazon com - Aug 15 2023

web feb 6 1995 the text presents a unified method of analysis that poses fluid mechanics problems in precise mathematical

language without becoming stiff or unnecessarily rigorous this method involves three steps first the text carefully defines

each problem so the student knows what is given and what is missing

[fluid mechanics dover books on physics physics](#) - Mar 30 2022

web sep 6 2021 fluid mechanics dover books on physics physics secrets of the pirate captain discover the darkest secrets of

the seven seas sue instead buckeye valley arizona firefighter exam review guide lewis morris aristotelian freedom the art of

judging addressing the falsehoods mr

[fluid mechanics dover books on physics physics](#) - Jun 01 2022

web mar 6 2022 fluid mechanics dover books on physics physics principles and practice of psychopharmacotherapy

principles prac psychopharmacotherapy janicak frank j ayd jr md caught by the turks by francis yeats brown francis yeats

brown his best friend s girl cathryn fox contrasting responses to diversity

statistical fluid mechanics volume i i mechanics of turbulence - Jan 28 2022

web statistical fluid mechanics volume i i mechanics of turbulence dover books on physics physics the hostage susan wiggs early leaders in colonial new york native americans african americans and europeans primary sources of new york city and new york state colleen adams die gefangene

fluid mechanics dover books on physics kağıt kapak - Jul 14 2023

web fluid mechanics dover books on physics granger robert a amazon com tr kitap

fluid mechanics dover books on physics amazon in - Apr 11 2023

web the text presents a unified method of analysis that poses fluid mechanics problems in precise mathematical language without becoming stiff or unnecessarily rigorous this method involves three steps first the text carefully defines each problem so the student knows what is given and what is missing

fluid mechanics dover books on physics paperback - May 12 2023

web a superb learning and teaching resource this structured introduction to fluid mechanics covers everything the engineer needs to know the nature of fluids hydrostatics differential and integral relations dimensional analysis viscous flows and another topics

lectures on fluid mechanics dover books on physics - Jan 08 2023

web jul 17 2012 add a gift card to your order choose your denomination

fluid mechanics dover books on physics softcover - Dec 07 2022

web the text presents a unified method of analysis that poses fluid mechanics problems in precise mathematical language without becoming stiff or unnecessarily rigorous this method involves three steps first the text carefully defines each problem so the student knows what is given and what is missing

fluid mechanics robert alan granger google books - Oct 05 2022

web jan 1 1995 fluid mechanics dover books on physics dover classics of science and mathematics author robert alan granger edition illustrated unabridged reprint publisher courier corporation

fluid mechanics dover publications - Mar 10 2023

web a superb learning and teaching resource this structured introduction to fluid mechanics covers everything the engineer needs to know the nature of fluids hydrostatics differential and integral relations dimensional analysis viscous flows and other topics solutions to selected problems 760 illustrations 1985 edition

statistical fluid mechanics volume i i mechanics of turbulence - Feb 26 2022

web statistical fluid mechanics volume i i mechanics of turbulence dover books on physics physics the 2009 2014 outlook for natural and synthetic waxes in india icon group international chuck s bigfoot tinglers volume 1 dr chuck tingle the penguin

book of english verse poets ed

lectures on fluid mechanics dover publications - Jun 13 2023

web product details a readable and user friendly introduction to fluid mechanics this high level text is geared toward advanced undergraduates and graduate students mathematicians physicists and engineers will also benefit from this lucid treatment

14 s fluid mechanics summary physics libretexts - Sep 04 2022

web a fluid is a state of matter that yields to sideways or shearing forces liquids and gases are both fluids fluid statics is the physics of stationary fluids density is the mass per unit volume of a substance or object defined as ρ

14 fluid mechanics physics libretexts - Aug 03 2022

web feb 20 2022 a fluid is a state of matter that yields to sideways or shearing forces liquids and gases are both fluids fluid statics is the physics of stationary fluids density is the mass per unit volume of a substance or object while pressure is the force per unit perpendicular area over which the force is applied

[lectures on fluid mechanics dover books on physics physics](#) - Jul 02 2022

web oct 18 2021 lectures on fluid mechanics dover books on physics physics refiguring modernism volume 1 women of 1928 bonnie kime scott beitrage zur ethik abhandl d akad der wissensch

dover books on physics fluid mechanics bol com - Feb 09 2023

web the text presents a unified method of analysis that poses fluid mechanics problems in precise mathematical language without becoming stiff or unnecessarily rigorous this method involves three steps first the text carefully defines each problem so the student knows what is given and what is missing

lectures on fluid mechanics dover books on physics physics - Dec 27 2021

web lectures on fluid mechanics dover books on physics physics pompilia and her poet harriet gaylord animal rescuers marie loeng a history of early carmichael school and community with recollections from early families circa 1880 to 1950 james robert cowan roses time life books editors rhetoric and english composition h j c grierson

experiment 4 projectile motion department of physics and - Dec 07 2022

web projectile motion is an example of motion with constant acceleration in this experiment a projectile will be fired from some height above the floor and the position where it lands will be predicted to make this prediction one needs to know how to describe the motion of the projectile using the laws of physics the

06 lab 3 projectile motion university of utah - May 12 2023

web section lab 3 projectile motion scientific data collection and analysis with some experimental design purpose this minilab is designed help you apply the skills you learned in the homework that is to collect data with errors make calculations with

error and decide whether your experiments are valid or not

projectile motion physlab - Sep 04 2022

web the purpose of this lab is to study the motion of a projectile launched using a projectile launcher and inspect different aspects of projectile motion using highspeed video processing sample results trajectory of the projectile curve fitting for vertical velocity visualisation of the trajectory of the projectile total energy time vs height

projectile motion lab 4 projectile motion launching a ball - Mar 30 2022

web projectile motion launching a ball the purpose of this lab experiment was to observe an object moving in a projectile pathway and analyze this motion through measurements taken and found the objective of this lab experiment was to visualize a ball launched in a projectile pathway

projectile motion vernier - Jun 01 2022

web in this experiment you will use video analysis techniques to obtain position velocity and time data for a projectile analyze the position vs time and velocity vs time graphs for both the horizontal and vertical components of the projectile s motion

lab 4 projectile motion washington state university - Feb 09 2023

web lab 4 projectile motion goals to determine the launch speed of a projectile and its uncertainty by measuring how far it travels horizontally before landing on the floor called the range when launched horizontally from a known height to predict and measure the range of a projectile when the projectile is fired at an arbitrary

5 3 projectile motion physics openstax - Aug 15 2023

web projectile motion is the motion of an object thrown projected into the air when after the initial force that launches the object air resistance is negligible and the only other force that object experiences is the force of gravity

teacher toolkits projectile motion the physics classroom - Jul 14 2023

web this projectile simulator allows students to alter the launch speed launch height and launch angle of a projectile the trajectory range and time of flight are displayed the velocity vector components acceleration vector and the trajectory trace can be toggled off and on

3 3 projectile motion physics libretexts - Oct 05 2022

web projectile motion is a form of motion where an object moves in a parabolic path the path followed by the object is called its trajectory projectile motion occurs when a force is applied at the beginning of the trajectory for the launch after this the projectile is subject only to the gravity

experiment 3 projectile motion part 1 department of physics - Jun 13 2023

web what is projectile motion find the initial velocity v_0 of a ball rolling off the table in the figure below the launch position is the origin of the coordinate system positive directions as specified

projectile motion physics 1 lab experiment phet contribution - Mar 10 2023

web sep 26 2020 this activity is a lab experiment about projectile motion designed for physics 1 remote learning students it uses phet projectile motion simulation to give the students the ability to distinguish the relation of the initial speed of the projectile and other physical quantities

projectile motion lab tarleton state university - Jan 08 2023

web projectile motion lab introduction projectile motion is a path traveled by an object influenced by the initial velocity launch angle and the acceleration due to gravity in this experiment you will predict the spot a steel ball will land after being launched objectives in this experiment you will

projectile motion lab report benjamin kelley phys physics - Feb 26 2022

web free fall motion lab report 7 lab 6 12 4 18 by applying known torques to a system which is free to rotate the resulting impulse and momentum in collisions lab report motion in free fall lab report period of oscillating ring lab report ai quiz save projectile motion lab report

projectile motion amrita vishwa vidyapeetham virtual lab - Apr 30 2022

web nov 14 2023 projectile motion projectile is defined as any body thrown with some initial velocity which is then allowed to move under the action of gravity alone without being propelled by any engine or fuel the path followed by a projectile is called its trajectory

experiment 2 projectile motion illinois institute of technology - Apr 11 2023

web in this lab we will study two dimensional projectile motion of an object in free fall that is an object that is launched into the air and then moves under the influence of gravity alone examples of projectiles include rockets baseballs reworks and the steel balls that will be used in this lab

4 3 projectile motion university physics volume 1 openstax - Nov 06 2022

web projectile motion is the motion of an object thrown or projected into the air subject only to acceleration as a result of gravity the applications of projectile motion in physics and engineering are numerous some examples include meteors as they enter earth's atmosphere fireworks and the motion of any ball in sports

projectile motion procedure mechanics virtual lab pilot - Jul 02 2022

web nov 15 2023 after clicking the fire button the user can view the motion of the projectile and also the time of flight maximum height and range of the projectile variable region the choose environment combo box helps you to choose the type of environment that the simulation has to be performed

projectile motion phet interactive simulations - Sep 16 2023

web projectile motion phet interactive simulations

lab 3 projectile motion lab report general physics studocu - Aug 03 2022

web the purpose of this experiment is to describe projectile motion the measured physical quantities that are measured in this experiment include length meter and time second s the physical quantities that will be calculated based on those measurements include speed horizontal motion vertical motion and overall velocity

projectile motion kinematics air resistance parabolic curve - Oct 17 2023

web blast a car out of a cannon and challenge yourself to hit a target learn about projectile motion by firing various objects set parameters such as angle initial speed and mass explore vector representations and add air resistance to

black women bound and gagged search xvideos com - Oct 28 2022

web 108 836 black women bound and gagged free videos found on xvideos for this search

gagged black girls tied search xvideos com - Apr 21 2022

web viewed videos 1 2 3 4 5 6 7 8 9 10 11 12 next bunghole birthday party 30 sec porn world 7 4k views 1080p tied up ball gagged lesbians struggle to get out of bondage four babes big boobs and lingerie 14 min 3 hole girls 164 3k views 360p two girls tied and gagged 10 min esp40 360p tied yo girls in consecueci

black women bound and gagged xhamster - Jul 05 2023

web black woman is wrapped and humiliated 26 6k views 05 33 ebony woman bound gagged with red tape 12 6k views 02 00 55 powerful women bound and massively gagged 187 5k views 24 40 experimental machine fucked lesbians bound and gagged with mechanical dildo in their pussy selfgags 194 5k views 28 18

black females bound and gagged pornzog free porn clips - Jun 04 2023

web black bound ebony females fetish gagged straight hooded bound gagged isobel wren black dress bound more related videos watch black females bound and gagged on pornzog free porn clips all for free and in streaming quality

black girl bondage porn videos pornhub com - Jul 25 2022

web diana daniels 1 3m views 87 8 18 beautiful black submissive gagged tied up ass whipped and turned into an anal compass needle assylum 304k views 79 8 56 submissive handcuffed girl alice painkiller is used to please her master 4k uhd alice painkiller 642k views 84 3 08 realistic furry suit blowjob and fucking black panther

black women bound and gagged search xnxx com - Aug 26 2022

web a lot of damsel in distress gag talk preview clips go check it out 18 8k 78 11sec 1080p strapped to metal cross behind her back and laid on stomach on cage gagged brunette slave katharine cane gets hard spanked by black master jack hammer 23 9k 78 5min 720p

free black girl bondage porn pornkai com - Nov 28 2022

web ebony girl ballgagged tied up 3 years 32 15 beauty dark chick blind folded porn cum movie 5 years 2 58 perfect ass

ebony in handcuffs fucked by white guy 10 months 19 32 preparation for the slave trade fair the gorgeous slave from egypt kyra black part 4 3

naked black woman bound and gagged porn videos pornhub com - Apr 02 2023

web watch naked black woman bound and gagged porn videos for free here on pornhub com discover the growing collection of high quality most relevant xxx movies and clips no other sex tube is more popular and features more naked black woman bound and gagged scenes than pornhub

black woman bound gagged search xnxx com - Mar 21 2022

web 76 5k 98 13min 1080p he plays with her pussy when she is bound right 3 5k 81 17min 1080p antonvideo beautiful blonde in bondage peril 2 4m 98 14min 360p antonvideo ashley lane pov tied up preview 115 9k 98 50sec 480p selfgags young barefoot bitch hog tied and cleave gagged in rope bdsm

ebony pulse tv black porn ebony bondage 4435 videos - Sep 26 2022

web popularlatest alllong page 1234567 1 year ago11 05ebony8bondage public 4 years ago10 10ebony8bondage domination 2 years ago13 51hdsexbondage bdsm fetish 5 months ago06 00xxxxdanbondage bdsm gagging bukkake gangbang 3 years ago07 11ebony8tied bondage 11 years ago07 12anypornbondage

boundhub videos tagged with ebony - May 03 2023

web gagged females 4 4 tight hog ties 4 4 tied beauties 4 4 bondage trend 4 4 gagged women list 4 4 selfgags 4 4 boundville 4 4 bound cuties 4 3 bondage practice 4 3

boundhub black girls bound gagged - Oct 08 2023

web for a girl who didn t seem to mind being captured and bound very much she sure didn t want to be gagged her captor apparently doesn t know too much about how to tie a girl up he went about it so awkwardly in the beginning at least about halfway through he figures out how to cleave gag her

[boundhub black girls in bondage](#) - Mar 01 2023

web black girls in bondage loading video latina witch part 2 bella madisyn bound and gagged an unpleasant visit getting comfy simone ebony schoolgirl ebony cop she will find out follow me used and abused ebony beauty loves the rough stuff tight r ebony chair taped 2 don t gag to death on those filthy panties ladies two for two

explore the best blackwomaninbondage art deviantart - Sep 07 2023

web check out amazing blackwomaninbondage artwork on deviantart get inspired by our community of talented artists

[black girls bound and gagged porn videos pornhub com](#) - May 23 2022

web watch black girls bound and gagged porn videos for free here on pornhub com discover the growing collection of high quality most relevant xxx movies and clips no other sex tube is more popular and features more

[black girl bound and gagged porn videos pornhub com](#) - Jun 23 2022

web watch black girl bound and gagged porn videos for free here on pornhub com discover the growing collection of high quality most relevant xxx movies and clips no other sex tube is more popular and features more

[black woman bound and gagged porn videos pornhub com](#) - Dec 30 2022

web watch black woman bound and gagged porn videos for free here on pornhub com discover the growing collection of high quality most relevant xxx movies and clips no other sex tube is more popular and features more black woman bound and gagged scenes than pornhub

bound and gagged black girl xhamster - Aug 06 2023

web bound and gagged black girl 128 1k views 03 12 brunette teen abella danger is bound and gagged in bed and gets whipped by master mr pete then fucked hard in doggystyle 14 5k views 09 51 black girl bound and ball gagged by white girl 38 4k views 10 56 i arrive home and find my sister in law tied and gagged on her bed

[black girl bondage search xvideos com](#) - Feb 17 2022

web video quality viewed videos 1 2 3 4 5 6 7 8 9 10 11 12 next 1440p young black girl porn casting in las vegas strips interviewed fingered pussy fucked bondage orgasm throat fucked huge nipples pov close up 10 min vegas casting couch 76 5k views 1080p

boundhub videos tagged with black woman - Jan 31 2023

web new videos tagged with black woman bondage domination fetishes toys webcams videos and photos