

Figure 11. Removing Flexible Hoop

1. Lock bearing outer race (2).
2. Drive flexible hoop (2). Break or trim the hoop after assembly.

### Figure

- Brake hose (part 1) (SA1-17) (S-5).

7. Axle Shaft.
  - Refer to "Axle Shaft Replacement" section in this section.
8. Wheels & Tires.
  - Refer to "WHEELS AND TIRES (SEC. 8)" in the manual.
9. Axle Lubricant.
  - Refer to "MAINTENANCE AND LUBRICATION (SEC. 10)" in the manual.

## DIFFERENTIAL CARRIER

### Remove or Disconnect (Figure 12)

1. Propeller shaft (2). Refer to "PROPELLER SHAFT (SEC. 4B)" in the manual.
2. Axle shaft (3). Refer to "Axle Shaft Replacement" section in this section.
3. Differential Carrier (2).
  - Remove the mounting bolts.
  - Support and remove the differential carrier.

### Install or Connect (Figure 12)

**NOTICE:** See "NOTICE" on page 44-14 of this section.

1. Apply fluid gasket to the joining faces of the axle case and carrier, and bring bolts torqued position.
2. Differential Carrier (2).

### Figure

- Differential carrier bolts (SA1-6) (S1 & S).

3. Axle shaft (3). Refer to "Axle Shaft Replacement" section in this section.
4. Propeller shaft (2). Refer to "PROPELLER

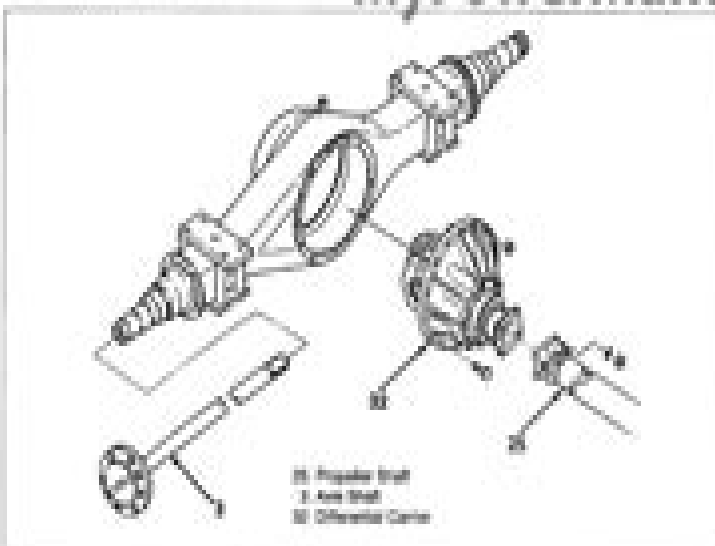


Figure 12. Differential Carrier Assembly

## UNIT REPAIR OF 292 MM / 320 MM DIFFERENTIAL CARRIER ASSEMBLY

### Remove or Disconnect (Figures 13 and 14)

- Mount the carrier housing in a repair stand.

### Inspection

- Write a reference mark to the right and left side bearing caps to prevent interchanging (Figure 14).
- Check and record the tooth contact pattern and backlash of the gear set (4) to be reused.

1. Lock plate (1).
2. Bearing caps (2).
3. Adapter hole (3).

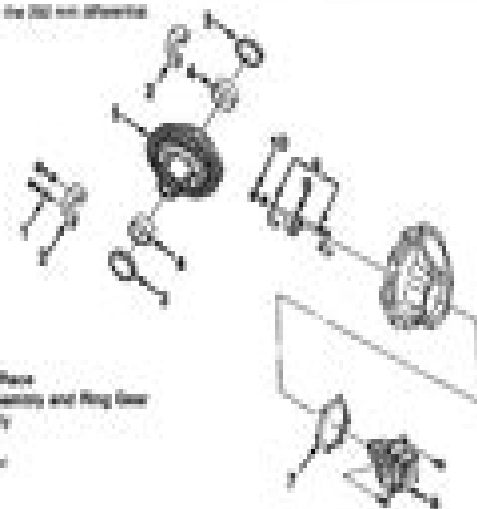
4. Side bearing outer race (4).

### Inspection

- Keep the bearings separate. Do not interchange them.

5. Differential cage assembly and ring gear (5).
6. Drive pinion assembly (6).
  - Put reference marks on pinion assembly and differential cover before removal.
7. Shim (7).
8. Pin bearing retainer (8).
9. Pin bearing (9).

The Adapter is based on the 320 mm differential.



1. Lock Plate
2. Bearing Caps
3. Adapter Hole
4. Side Bearing Outer Race
5. Differential Cage Assembly and Ring Gear
6. Drive Pinion Assembly
7. Shim
8. Pin Bearing Retainer
9. Pin Bearing
10. Flying Nut

Figure 13. Differential Carrier Subassembly

# Gmc W3500 Manual

**Marcel A. Müller**



## **Gmc W3500 Manual:**

Uncover the mysteries within is enigmatic creation, Discover the Intrigue in **Gmc W3500 Manual** . This downloadable ebook, shrouded in suspense, is available in a PDF format ( PDF Size: \*). Dive into a world of uncertainty and anticipation. Download now to unravel the secrets hidden within the pages.

[http://www.armchairempire.com/public/Resources/default.aspx/Mathematik\\_Arbeitsbuch\\_Einf\\_Hrungsphase\\_Heiner\\_Heil.pdf](http://www.armchairempire.com/public/Resources/default.aspx/Mathematik_Arbeitsbuch_Einf_Hrungsphase_Heiner_Heil.pdf)

## **Table of Contents Gmc W3500 Manual**

1. Understanding the eBook Gmc W3500 Manual
  - The Rise of Digital Reading Gmc W3500 Manual
  - Advantages of eBooks Over Traditional Books
2. Identifying Gmc W3500 Manual
  - Exploring Different Genres
  - Considering Fiction vs. Non-Fiction
  - Determining Your Reading Goals
3. Choosing the Right eBook Platform
  - Popular eBook Platforms
  - Features to Look for in an Gmc W3500 Manual
  - User-Friendly Interface
4. Exploring eBook Recommendations from Gmc W3500 Manual
  - Personalized Recommendations
  - Gmc W3500 Manual User Reviews and Ratings
  - Gmc W3500 Manual and Bestseller Lists
5. Accessing Gmc W3500 Manual Free and Paid eBooks
  - Gmc W3500 Manual Public Domain eBooks
  - Gmc W3500 Manual eBook Subscription Services
  - Gmc W3500 Manual Budget-Friendly Options
6. Navigating Gmc W3500 Manual eBook Formats

- ePub, PDF, MOBI, and More
  - Gmc W3500 Manual Compatibility with Devices
  - Gmc W3500 Manual Enhanced eBook Features
7. Enhancing Your Reading Experience
    - Adjustable Fonts and Text Sizes of Gmc W3500 Manual
    - Highlighting and Note-Taking Gmc W3500 Manual
    - Interactive Elements Gmc W3500 Manual
  8. Staying Engaged with Gmc W3500 Manual
    - Joining Online Reading Communities
    - Participating in Virtual Book Clubs
    - Following Authors and Publishers Gmc W3500 Manual
  9. Balancing eBooks and Physical Books Gmc W3500 Manual
    - Benefits of a Digital Library
    - Creating a Diverse Reading Collection Gmc W3500 Manual
  10. Overcoming Reading Challenges
    - Dealing with Digital Eye Strain
    - Minimizing Distractions
    - Managing Screen Time
  11. Cultivating a Reading Routine Gmc W3500 Manual
    - Setting Reading Goals Gmc W3500 Manual
    - Carving Out Dedicated Reading Time
  12. Sourcing Reliable Information of Gmc W3500 Manual
    - Fact-Checking eBook Content of Gmc W3500 Manual
    - Distinguishing Credible Sources
  13. Promoting Lifelong Learning
    - Utilizing eBooks for Skill Development
    - Exploring Educational eBooks
  14. Embracing eBook Trends
    - Integration of Multimedia Elements
    - Interactive and Gamified eBooks

**Gmc W3500 Manual Introduction**

In the digital age, access to information has become easier than ever before. The ability to download Gmc W3500 Manual has revolutionized the way we consume written content. Whether you are a student looking for course material, an avid reader searching for your next favorite book, or a professional seeking research papers, the option to download Gmc W3500 Manual has opened up a world of possibilities. Downloading Gmc W3500 Manual provides numerous advantages over physical copies of books and documents. Firstly, it is incredibly convenient. Gone are the days of carrying around heavy textbooks or bulky folders filled with papers. With the click of a button, you can gain immediate access to valuable resources on any device. This convenience allows for efficient studying, researching, and reading on the go. Moreover, the cost-effective nature of downloading Gmc W3500 Manual has democratized knowledge. Traditional books and academic journals can be expensive, making it difficult for individuals with limited financial resources to access information. By offering free PDF downloads, publishers and authors are enabling a wider audience to benefit from their work. This inclusivity promotes equal opportunities for learning and personal growth. There are numerous websites and platforms where individuals can download Gmc W3500 Manual. These websites range from academic databases offering research papers and journals to online libraries with an expansive collection of books from various genres. Many authors and publishers also upload their work to specific websites, granting readers access to their content without any charge. These platforms not only provide access to existing literature but also serve as an excellent platform for undiscovered authors to share their work with the world. However, it is essential to be cautious while downloading Gmc W3500 Manual. Some websites may offer pirated or illegally obtained copies of copyrighted material. Engaging in such activities not only violates copyright laws but also undermines the efforts of authors, publishers, and researchers. To ensure ethical downloading, it is advisable to utilize reputable websites that prioritize the legal distribution of content. When downloading Gmc W3500 Manual, users should also consider the potential security risks associated with online platforms. Malicious actors may exploit vulnerabilities in unprotected websites to distribute malware or steal personal information. To protect themselves, individuals should ensure their devices have reliable antivirus software installed and validate the legitimacy of the websites they are downloading from. In conclusion, the ability to download Gmc W3500 Manual has transformed the way we access information. With the convenience, cost-effectiveness, and accessibility it offers, free PDF downloads have become a popular choice for students, researchers, and book lovers worldwide. However, it is crucial to engage in ethical downloading practices and prioritize personal security when utilizing online platforms. By doing so, individuals can make the most of the vast array of free PDF resources available and embark on a journey of continuous learning and intellectual growth.

---

## **FAQs About Gmc W3500 Manual Books**

1. Where can I buy Gmc W3500 Manual books? Bookstores: Physical bookstores like Barnes & Noble, Waterstones, and independent local stores. Online Retailers: Amazon, Book Depository, and various online bookstores offer a wide range of books in physical and digital formats.
2. What are the different book formats available? Hardcover: Sturdy and durable, usually more expensive. Paperback: Cheaper, lighter, and more portable than hardcovers. E-books: Digital books available for e-readers like Kindle or software like Apple Books, Kindle, and Google Play Books.
3. How do I choose a Gmc W3500 Manual book to read? Genres: Consider the genre you enjoy (fiction, non-fiction, mystery, sci-fi, etc.). Recommendations: Ask friends, join book clubs, or explore online reviews and recommendations. Author: If you like a particular author, you might enjoy more of their work.
4. How do I take care of Gmc W3500 Manual books? Storage: Keep them away from direct sunlight and in a dry environment. Handling: Avoid folding pages, use bookmarks, and handle them with clean hands. Cleaning: Gently dust the covers and pages occasionally.
5. Can I borrow books without buying them? Public Libraries: Local libraries offer a wide range of books for borrowing. Book Swaps: Community book exchanges or online platforms where people exchange books.
6. How can I track my reading progress or manage my book collection? Book Tracking Apps: Goodreads, LibraryThing, and Book Catalogue are popular apps for tracking your reading progress and managing book collections. Spreadsheets: You can create your own spreadsheet to track books read, ratings, and other details.
7. What are Gmc W3500 Manual audiobooks, and where can I find them? Audiobooks: Audio recordings of books, perfect for listening while commuting or multitasking. Platforms: Audible, LibriVox, and Google Play Books offer a wide selection of audiobooks.
8. How do I support authors or the book industry? Buy Books: Purchase books from authors or independent bookstores. Reviews: Leave reviews on platforms like Goodreads or Amazon. Promotion: Share your favorite books on social media or recommend them to friends.
9. Are there book clubs or reading communities I can join? Local Clubs: Check for local book clubs in libraries or community centers. Online Communities: Platforms like Goodreads have virtual book clubs and discussion groups.
10. Can I read Gmc W3500 Manual books for free? Public Domain Books: Many classic books are available for free as they're in the public domain. Free E-books: Some websites offer free e-books legally, like Project Gutenberg or Open Library.

**Find Gmc W3500 Manual :**

*mathematik arbeitsbuch einf hrungsphase heiner heil*

**matematica azzurro 1 esercizi fatti**

*mathematics of uncertainty mathematics of uncertainty*

**mathematical power lessons from a classroom**

*mathematical olympiad handbook*

*math expressions assessment guide grade 3*

materials technologies and practice in historic heritage structures

*masterprose study questions hamlet answer*

mathematical methods for partial differential equations

**mathematical footprints discovering mathematics everywhere**

*mathematical literacy investigation memorandum 02 september 2014*

*math in focus singapore math teachers edition book a grade 1 2009*

math comments for report cards

**math study guide packet with learning targets**

**mathematics for the international student ib diploma hl core 2nd edition**

**Gmc W3500 Manual :**

**sparen zum passiven einkommen der glaubhafte harte aber** - Nov 16 2021

*sparen zum passiven einkommen der glaubhafte hart pdf* - Sep 26 2022

web dec 23 2022 in unserem ratgeber zeigen wir dir ideen tipps und möglichkeiten wie du passives einkommen aufbauen kannst damit du auch im schlaf geld verdienen kannst

**sparen zum passiven einkommen der glaubhafte hart pdf** - Sep 07 2023

web sparen zum passiven einkommen der glaubhafte hart diversity die hsbi ist punktuell schon vorreiterin wir wir wirtschaft regional may 27 grenzen zu

*sparen zum passiven einkommen der glaubhafte hart pdf* - Oct 08 2023

web sparen zum passiven einkommen der glaubhafte hart die sprachwissenschaft hans georg c von der gabelentz 2018 10 20

this work has been selected by scholars as being culturally important and is part of the knowledge base of civilization as we



know it this

**31 seriöse tipps um 2023 passives einkommen** - Dec 30 2022

web sparen zum passiven einkommen der glaubhafte harte aber machbare weg zur finanziellen unabhängigkeit by jack seymour wege um passive einnahmen zu

*sparen zum passiven einkommen der glaubhafte hart* - Dec 18 2021

web sep 25 2023 geld finanzieren vermögensaufbau passives einkommen sparen zum passiven einkommen der glaubhafte harte aber probedruck sparen zum passiven

**sparen zum passiven einkommen der glaubhafte hart** - Mar 01 2023

web sobald sie nicht oder wenig aktiv für ihre einnahmen arbeiten nennt man es passives einkommen das geld generiert sich selbst ohne dass sie dafür viel tun brauchen

passives einkommen die 25 besten ideen für 2023 oberlo - Jul 25 2022

web jun 25 2023 inklusive tabellen zum selbst ausfüllen zur ausgabenaufstellung und zur optimierung der ausgaben und vieles mehr ich beschreibe ihnen den glaubhaften

**sparen zum passiven einkommen der glaubhafte hart pdf** - Feb 17 2022

web may 27 2023 sparen zum passiven einkommen der glaubhafte hart 1 9 downloaded from uniport edu ng on may 27 2023 by guest sparen zum passiven einkommen der

**sparen zum passiven einkommen der glaubhafte hart** - Mar 21 2022

web nov 22 2022 sparen zum passiven einkommen der glaubhafte hart 2 8 downloaded from staging friends library org on november 22 2022 by guest autobiographical

sparen zum passiven einkommen der glaubhafte harte aber - Jul 05 2023

web sparen zum passiven einkommen der glaubhafte harte aber machbare weg zur finanziellen unabhängigkeit german edition seymour jack amazon sg books

*sparen zum passiven einkommen der glaubhafte harte aber* - Nov 28 2022

web passiven einkommen der glaubhafte harte passives einkommen probedruck sparen zum passiven einkommen der glaubhafte fr sparen zum passiven einkommen der

**sparen zum passiven einkommen der glaubhafte hart pdf** - Jan 19 2022

web dec 9 2022 sparen zum passiven einkommen der glaubhafte hart 1 9 downloaded from staging friends library org on december 9 2022 by guest sparen zum passiven

*passives einkommen 10 ideen geld zu verdienen* - Jan 31 2023

web nov 6 2023 hier ist nochmal unsere top 3 um 2023 mehr passives einkommen zu verdienen 1 geld investieren handle

aktien etfs sparpläne kryptowährungen

*sparen zum passiven einkommen der glaubhafte hart pdf* - Aug 06 2023

web sparen zum passiven einkommen der glaubhafte hart etfs für einsteiger 31 bewährte anlagestrategien wie sie sich mit etfs und indexfonds ein passives

sparen zum passiven einkommen der glaubhafte hart - Jun 23 2022

web apr 17 2023 sparen zum passiven einkommen der glaubhafte hart 1 9 downloaded from uniport edu ng on april 17 2023 by guest sparen zum passiven einkommen der

**sparen zum passiven einkommen der glaubhafte hart pdf** - Apr 02 2023

web sparen zum passiven einkommen feb 26 2022 wie lange benötigen sie um die finanzielle unabhängigkeit zu erreichen dieser praxis ratgeber beschreibt ihnen den weg von der finanziellen abhängigkeit zur finanziellen unabhängigkeit oder sogar zur finanziellen freiheit ich verzichte auf tipps zum eigenen youtube kanal oder t shirt

*sparen zum passiven einkommen der glaubhafte harte aber* - Oct 28 2022

web sep 16 2023 readings like this sparen zum passiven einkommen der glaubhafte hart pdf but end up in harmful downloads rather than reading a good book with a cup of tea

**passives einkommen aufbauen 12 interessante ideen forbes** - Aug 26 2022

web nov 23 2022 blogging ist also eine hervorragende möglichkeit passives einkommen zu generieren besonders dann wenn du noch keine passiven produkte zum verkaufen

**sparen zum passiven einkommen der glaubhafte hart copy** - May 23 2022

web mar 17 2023 sparen zum passiven einkommen der glaubhafte hart recognizing the habit ways to get this ebook sparen zum passiven einkommen der glaubhafte hart is

**sparen zum passiven einkommen der glaubhafte hart pdf** - Apr 21 2022

web mar 20 2023 sparen zum passiven einkommen der glaubhafte hart 1 13 downloaded from uniport edu ng on march 20 2023 by guest sparen zum passiven einkommen

sparen zum passiven einkommen der glaubhafte hart pdf - May 03 2023

web finanzielle freiheit in 6 schritten zum passiven einkommen sparen sie ihr geld sparen zum passiven einkommen der glaubhafte hart downloaded from

*mythos passives einkommen 9 wege wie es dir* - Jun 04 2023

web apr 26 2023 sparen zum passiven einkommen der glaubhafte hart 2 9 downloaded from uniport edu ng on april 26 2023 by guest the authors examine the way ccs has

**tools and weapons the first book by microsoft clo brad smith** - Sep 03 2022

web information technology has become both a powerful tool and a formidable weapon creating a set of challenges with no pre existing playbook in tools and weapons smith and  
[tools and weapons the first book by microsoft clo brad smith](#) - Jan 07 2023  
web tools and weapons the first book by microsoft clo brad smith the promise and the peril of the digital age smith brad browne carol ann amazon sg books  
*tools and weapons on the issues news microsoft com* - Aug 02 2022  
web jun 10 2023 tools and weapons the first book by microsoft clo brad smith exploring the biggest questions facing humanity about tech by brad smith carol ann browne  
*tools and weapons the promise and the peril of the digital* - Dec 26 2021  
web buy tools and weapons the first book by microsoft clo brad smith exploring the biggest questions facing humanity about tech by smith brad browne carol ann online  
[tools and weapons the first book by microsoft clo download](#) - Nov 05 2022  
web tencent baidu alibaba microsoft ibm and apple are the new gods of ai and are short changing our futures to reap immediate financial gain in this book amy webb reveals  
*amazon ae customer reviews tools and weapons the first* - Feb 25 2022  
web written by mary branscombe contributor on sept 24 2019 tools and weapons the promise and the peril of the digital age by brad smith and carol ann browne hodder  
**tools and weapons the promise and the peril of the digital age** - Mar 29 2022  
web find helpful customer reviews and review ratings for tools and weapons the first book by microsoft clo brad smith exploring the biggest questions facing humanity about  
[tools and weapons the first book by microsoft clo brad smith](#) - Apr 10 2023  
web sep 10 2019 tools and weapons the first book by microsoft clo brad smith exploring the biggest questions facing humanity about tech buy online at best price in  
[tools and weapons the first book by microsoft clo](#) - Jun 12 2023  
web sep 10 2019 tools and weapons the first book by microsoft clo brad smith exploring the biggest questions facing humanity about tech paperback 10 september  
[tools and weapons book review tech companies governments](#) - Jan 27 2022  
web tools and weapons the promise and the peril of the digital age the first book by microsoft clo brad smith exploring the biggest questions facing humanity about tech  
[tools and weapons the first book by microsoft clo brad smith](#) - Dec 06 2022

web tools and weapons the first book by microsoft clo my first book of patterns jul 04 2020 have you learned your colors and shapes now it s time to learn patterns stripes

**tools and weapons the first book by microsoft clo brad smith** - Nov 24 2021

web tools and weapons the first book by microsoft clo brad smith exploring the biggest questions facing humanity about tech smith brad browne carol ann amazon ae □□□

**tools and weapons the first book by microsoft clo brad smith** - Oct 24 2021

**tools and weapons the first book by microsoft clo brad smith** - Jul 13 2023

web tools and weapons the first book by microsoft clo brad smith exploring the biggest questions facing humanity about tech kapak değışebilir smith brad browne carol

*tools and weapons the promise and the peril of the* - Feb 08 2023

web tools and weapons the first book by microsoft clo brad smith exploring the biggest questions facing humanity about tech the promise and the peril of the digital age

**tools and weapons the first book by microsoft clo brad smith** - Aug 14 2023

web tools and weapons the first book by microsoft clo brad smith exploring the biggest questions facing humanity about tech smith brad browne carol ann amazon com tr kitap

tools and weapons promise and peril in the - Apr 29 2022

web the instant new york times bestseller from microsoft s president and one of the tech industry s broadest thinkers a frank and thoughtful reckoning with how to balance

**tools and weapons the first book by microsoft clo brad smith** - May 11 2023

web tools and weapons the first book by microsoft clo brad smith exploring the biggest questions facing humanity about tech 9781529351576 books amazon ca

tools and weapons the first book by microsoft clo paul gilroy - Oct 04 2022

web tools and weapons the first book by microsoft clo brad smith exploring the biggest questions facing humanity about tech smith brad browne carol ann amazon es libros

*buy tools and weapons the first book by microsoft clo brad* - May 31 2022

web tools and weapons provides an insightful account of how the management team at one of blue chip s core technology holdings microsoft have so far successfully navigated

*amazon com tr müşteri yorumları tools and weapons the first* - Mar 09 2023

web amazon com tr sitesinde tools and weapons the first book by microsoft clo brad smith exploring the biggest questions

facing humanity about tech ürünü için faydalı

**tools and weapons the first book by microsoft clo brad smith** - Jul 01 2022

web amazon in buy tools and weapons the first book by microsoft clo brad smith exploring the biggest questions facing humanity about tech the promise and the peril of

stanley tt300 garage door manual copy opendoors cityandguilds - Nov 24 2021

**stanley tt300 garage door manual pdf willowwoodco** - Jun 12 2023

web stanley garage door opener model tt300 replacement remotes you can use any of the following remotes or keypad as your replacement

stanley black decker garage door opener tt300 a05 need - Sep 22 2021

**stanley garage door opener setup instruction** - Dec 06 2022

web stanley 1050 310mhz single button visor gate and garage may 11th 2018 this stanley 1050 1050 15 garage door opener remote control transmitter will control one stanley

stanley garage door opener manuals gdcorp com - Feb 08 2023

web stanley tt300 garage door manual 1 stanley tt300 garage door manual this is likewise one of the factors by obtaining the soft documents of this stanley tt300 garage door

**manual for stanley st300 garage door opener where i go** - Jul 01 2022

web stanley tt300 garage door manual author woldemar klugmann from tvl parisbytrain com subject stanley tt300 garage door manual keywords

**stanley garage door opener how to troubleshooting guide** - Oct 04 2022

web jan 26 2015 manual for stanley st300 garage door opener working on my garage door opener and being lazy i searched on google for it folks wanted 10 to download

**stanley tt300 garage door manual tvl parisbytrain com** - Mar 29 2022

web aug 18 2023 stanley tt300 garage door manual 1 4 downloaded from uniport edu ng on august 18 2023 by guest stanley tt300 garage door manual as recognized

stanley tt300 garage door manual pdf uniport edu - Dec 26 2021

web find the user manual and the help you need for the products you own at manualsonline stanley black decker garage door opener tt300 a05 need owner s manual

**stanley garage door opener tt 300 manual yunqian info** - Feb 25 2022

web 2 stanley tt300 garage door manual 2023 01 27 the plans of reinhardt ex gestapo official who is keeping their old friend prisoner in a mysterious bohemian castle women

**stanley opener model tt300 stanley remotes** - May 11 2023

web stanley garage door opener and radio control manuals your single source n nw chicago and suburbs stanley garage door openers are all discontinued and have

*stanley ut300 manual* - Jan 27 2022

web aug 24 2023 if you objective to download and install the stanley tt300 garage door manual it is no question simple then back currently we extend the link to buy and make

*stanley tt300 garage door manual staging thehome* - Nov 05 2022

web the stanley garage door repair chart lists common problems faced by homeowners and provide several solutions some of them are fairly simple while others may be really time

how to program the keypad for a stanley garage door - Apr 29 2022

web jul 6 2018 this is a stanley garage door opener chain drive style 0 5 horsepower model ut300 made in 1994 the problem is when i try to open it either from the remote or wall

*where i go* - Jan 07 2023

web aug 4 2021 stanley door opener has the following reset procedure find the button on the engine that reads learn or home you can find the button on the device s antenna

**how to repair and adjust your stanley garage door** - Mar 09 2023

web aug 24 2005 stanley garage door opener setup instruction w winstonmei posted 18 years ago this is a stanley garage door opener chain drive style 0 5 horsepower

**stanley garage door opener tt300 manual pdfslide net** - Apr 10 2023

web where i go

*stanley tt300 garage door manual pdf full pdf* - May 31 2022

web stanley garage door opener tt 300 manual generac gp3600 49st csa portable generator owner s manual generac gp2200i inverter portable generator owner s

**stanley garage door opener troubleshooting repair guide** - Aug 02 2022

web jul 21 2017 one of the benefits of having a stanley garage door opener is the ability to remotely open your garage this opening can take the form of a remote control which is

stanley black decker garage door opener tt300 stanley - Aug 14 2023

web appliance manuals and free pdf instructions find the user manual you need for your home appliance products and more

at manualsonline stanley black decker garage door

**stanley u install owner s manual pdf** - Jul 13 2023

web mar 7 2023 we pay for stanley tt300 garage door manual pdf and numerous books collections from fictions to scientific research in any way in the middle of them is this

**stanley tt300 garage door manual media joomlashine com** - Sep 03 2022

web introduction stanley tt300 garage door manual pdf full pdf miles to millions bill grenier 2017 06 27 when he became a commercial pilot at age nineteen bill grenier

**stanley tt300 garage door manual copy uniport edu** - Oct 24 2021