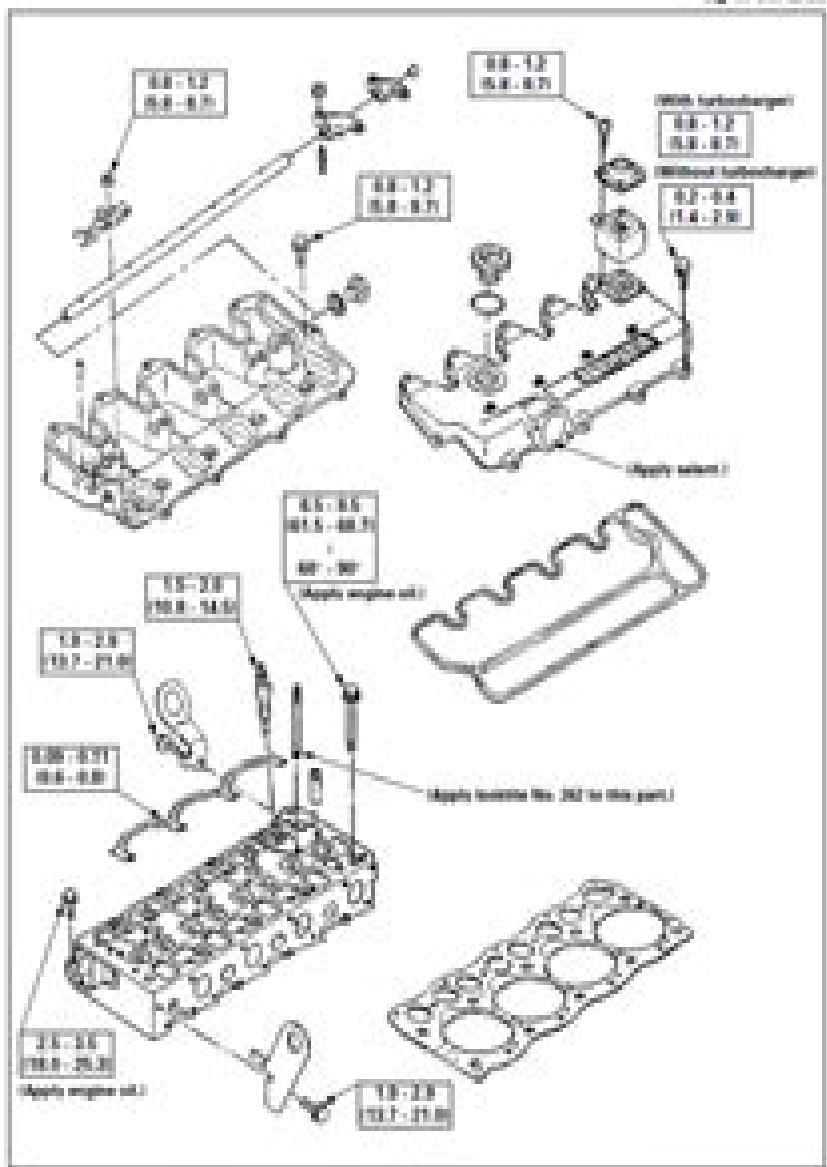




14 GENERAL INFORMATION

2. CYLINDER HEAD AND CYLINDER HEAD COVER

Fig. 17. (No. 1)



# Isuzu 4le1 Service Manual

**SA Dillow**



## **Isuzu 4le1 Service Manual:**

The book delves into Isuzu 4le1 Service Manual. Isuzu 4le1 Service Manual is an essential topic that needs to be grasped by everyone, ranging from students and scholars to the general public. The book will furnish comprehensive and in-depth insights into Isuzu 4le1 Service Manual, encompassing both the fundamentals and more intricate discussions.

1. This book is structured into several chapters, namely:
  - Chapter 1: Introduction to Isuzu 4le1 Service Manual
  - Chapter 2: Essential Elements of Isuzu 4le1 Service Manual
  - Chapter 3: Isuzu 4le1 Service Manual in Everyday Life
  - Chapter 4: Isuzu 4le1 Service Manual in Specific Contexts
  - Chapter 5: Conclusion
2. In chapter 1, the author will provide an overview of Isuzu 4le1 Service Manual. The first chapter will explore what Isuzu 4le1 Service Manual is, why Isuzu 4le1 Service Manual is vital, and how to effectively learn about Isuzu 4le1 Service Manual.
3. In chapter 2, this book will delve into the foundational concepts of Isuzu 4le1 Service Manual. The second chapter will elucidate the essential principles that must be understood to grasp Isuzu 4le1 Service Manual in its entirety.
4. In chapter 3, the author will examine the practical applications of Isuzu 4le1 Service Manual in daily life. This chapter will showcase real-world examples of how Isuzu 4le1 Service Manual can be effectively utilized in everyday scenarios.
5. In chapter 4, this book will scrutinize the relevance of Isuzu 4le1 Service Manual in specific contexts. This chapter will explore how Isuzu 4le1 Service Manual is applied in specialized fields, such as education, business, and technology.
6. In chapter 5, the author will draw a conclusion about Isuzu 4le1 Service Manual. The final chapter will summarize the key points that have been discussed throughout the book.

This book is crafted in an easy-to-understand language and is complemented by engaging illustrations. It is highly recommended for anyone seeking to gain a comprehensive understanding of Isuzu 4le1 Service Manual.

<http://www.armchairempire.com/About/scholarship/Documents/lwhd1009r%20manual.pdf>

## **Table of Contents Isuzu 4le1 Service Manual**

1. Understanding the eBook Isuzu 4le1 Service Manual

- The Rise of Digital Reading Isuzu 4le1 Service Manual
- Advantages of eBooks Over Traditional Books
- 2. Identifying Isuzu 4le1 Service Manual
  - Exploring Different Genres
  - Considering Fiction vs. Non-Fiction
  - Determining Your Reading Goals
- 3. Choosing the Right eBook Platform
  - Popular eBook Platforms
  - Features to Look for in an Isuzu 4le1 Service Manual
  - User-Friendly Interface
- 4. Exploring eBook Recommendations from Isuzu 4le1 Service Manual
  - Personalized Recommendations
  - Isuzu 4le1 Service Manual User Reviews and Ratings
  - Isuzu 4le1 Service Manual and Bestseller Lists
- 5. Accessing Isuzu 4le1 Service Manual Free and Paid eBooks
  - Isuzu 4le1 Service Manual Public Domain eBooks
  - Isuzu 4le1 Service Manual eBook Subscription Services
  - Isuzu 4le1 Service Manual Budget-Friendly Options
- 6. Navigating Isuzu 4le1 Service Manual eBook Formats
  - ePub, PDF, MOBI, and More
  - Isuzu 4le1 Service Manual Compatibility with Devices
  - Isuzu 4le1 Service Manual Enhanced eBook Features
- 7. Enhancing Your Reading Experience
  - Adjustable Fonts and Text Sizes of Isuzu 4le1 Service Manual
  - Highlighting and Note-Taking Isuzu 4le1 Service Manual
  - Interactive Elements Isuzu 4le1 Service Manual
- 8. Staying Engaged with Isuzu 4le1 Service Manual
  - Joining Online Reading Communities
  - Participating in Virtual Book Clubs
  - Following Authors and Publishers Isuzu 4le1 Service Manual

9. Balancing eBooks and Physical Books Isuzu 4le1 Service Manual
  - Benefits of a Digital Library
  - Creating a Diverse Reading Collection Isuzu 4le1 Service Manual
10. Overcoming Reading Challenges
  - Dealing with Digital Eye Strain
  - Minimizing Distractions
  - Managing Screen Time
11. Cultivating a Reading Routine Isuzu 4le1 Service Manual
  - Setting Reading Goals Isuzu 4le1 Service Manual
  - Carving Out Dedicated Reading Time
12. Sourcing Reliable Information of Isuzu 4le1 Service Manual
  - Fact-Checking eBook Content of Isuzu 4le1 Service Manual
  - Distinguishing Credible Sources
13. Promoting Lifelong Learning
  - Utilizing eBooks for Skill Development
  - Exploring Educational eBooks
14. Embracing eBook Trends
  - Integration of Multimedia Elements
  - Interactive and Gamified eBooks

### **Isuzu 4le1 Service Manual Introduction**

In today's digital age, the availability of Isuzu 4le1 Service Manual books and manuals for download has revolutionized the way we access information. Gone are the days of physically flipping through pages and carrying heavy textbooks or manuals. With just a few clicks, we can now access a wealth of knowledge from the comfort of our own homes or on the go. This article will explore the advantages of Isuzu 4le1 Service Manual books and manuals for download, along with some popular platforms that offer these resources. One of the significant advantages of Isuzu 4le1 Service Manual books and manuals for download is the cost-saving aspect. Traditional books and manuals can be costly, especially if you need to purchase several of them for educational or professional purposes. By accessing Isuzu 4le1 Service Manual versions, you eliminate the need to spend money on physical copies. This not only saves you money but also reduces the environmental impact associated with book production and transportation. Furthermore, Isuzu 4le1 Service Manual books and manuals for download are incredibly

convenient. With just a computer or smartphone and an internet connection, you can access a vast library of resources on any subject imaginable. Whether you're a student looking for textbooks, a professional seeking industry-specific manuals, or someone interested in self-improvement, these digital resources provide an efficient and accessible means of acquiring knowledge. Moreover, PDF books and manuals offer a range of benefits compared to other digital formats. PDF files are designed to retain their formatting regardless of the device used to open them. This ensures that the content appears exactly as intended by the author, with no loss of formatting or missing graphics. Additionally, PDF files can be easily annotated, bookmarked, and searched for specific terms, making them highly practical for studying or referencing. When it comes to accessing Isuzu 4le1 Service Manual books and manuals, several platforms offer an extensive collection of resources. One such platform is Project Gutenberg, a nonprofit organization that provides over 60,000 free eBooks. These books are primarily in the public domain, meaning they can be freely distributed and downloaded. Project Gutenberg offers a wide range of classic literature, making it an excellent resource for literature enthusiasts. Another popular platform for Isuzu 4le1 Service Manual books and manuals is Open Library. Open Library is an initiative of the Internet Archive, a non-profit organization dedicated to digitizing cultural artifacts and making them accessible to the public. Open Library hosts millions of books, including both public domain works and contemporary titles. It also allows users to borrow digital copies of certain books for a limited period, similar to a library lending system. Additionally, many universities and educational institutions have their own digital libraries that provide free access to PDF books and manuals. These libraries often offer academic texts, research papers, and technical manuals, making them invaluable resources for students and researchers. Some notable examples include MIT OpenCourseWare, which offers free access to course materials from the Massachusetts Institute of Technology, and the Digital Public Library of America, which provides a vast collection of digitized books and historical documents. In conclusion, Isuzu 4le1 Service Manual books and manuals for download have transformed the way we access information. They provide a cost-effective and convenient means of acquiring knowledge, offering the ability to access a vast library of resources at our fingertips. With platforms like Project Gutenberg, Open Library, and various digital libraries offered by educational institutions, we have access to an ever-expanding collection of books and manuals. Whether for educational, professional, or personal purposes, these digital resources serve as valuable tools for continuous learning and self-improvement. So why not take advantage of the vast world of Isuzu 4le1 Service Manual books and manuals for download and embark on your journey of knowledge?

### **FAQs About Isuzu 4le1 Service Manual Books**

How do I know which eBook platform is the best for me? Finding the best eBook platform depends on your reading

preferences and device compatibility. Research different platforms, read user reviews, and explore their features before making a choice. Are free eBooks of good quality? Yes, many reputable platforms offer high-quality free eBooks, including classics and public domain works. However, make sure to verify the source to ensure the eBook credibility. Can I read eBooks without an eReader? Absolutely! Most eBook platforms offer webbased readers or mobile apps that allow you to read eBooks on your computer, tablet, or smartphone. How do I avoid digital eye strain while reading eBooks? To prevent digital eye strain, take regular breaks, adjust the font size and background color, and ensure proper lighting while reading eBooks. What the advantage of interactive eBooks? Interactive eBooks incorporate multimedia elements, quizzes, and activities, enhancing the reader engagement and providing a more immersive learning experience. Isuzu 4le1 Service Manual is one of the best book in our library for free trial. We provide copy of Isuzu 4le1 Service Manual in digital format, so the resources that you find are reliable. There are also many Ebooks of related with Isuzu 4le1 Service Manual. Where to download Isuzu 4le1 Service Manual online for free? Are you looking for Isuzu 4le1 Service Manual PDF? This is definitely going to save you time and cash in something you should think about. If you trying to find then search around for online. Without a doubt there are numerous these available and many of them have the freedom. However without doubt you receive whatever you purchase. An alternate way to get ideas is always to check another Isuzu 4le1 Service Manual. This method for see exactly what may be included and adopt these ideas to your book. This site will almost certainly help you save time and effort, money and stress. If you are looking for free books then you really should consider finding to assist you try this. Several of Isuzu 4le1 Service Manual are for sale to free while some are payable. If you arent sure if the books you would like to download works with for usage along with your computer, it is possible to download free trials. The free guides make it easy for someone to free access online library for download books to your device. You can get free download on free trial for lots of books categories. Our library is the biggest of these that have literally hundreds of thousands of different products categories represented. You will also see that there are specific sites catered to different product types or categories, brands or niches related with Isuzu 4le1 Service Manual. So depending on what exactly you are searching, you will be able to choose e books to suit your own need. Need to access completely for Campbell Biology Seventh Edition book? Access Ebook without any digging. And by having access to our ebook online or by storing it on your computer, you have convenient answers with Isuzu 4le1 Service Manual To get started finding Isuzu 4le1 Service Manual, you are right to find our website which has a comprehensive collection of books online. Our library is the biggest of these that have literally hundreds of thousands of different products represented. You will also see that there are specific sites catered to different categories or niches related with Isuzu 4le1 Service Manual So depending on what exactly you are searching, you will be able tochoose ebook to suit your own need. Thank you for reading Isuzu 4le1 Service Manual. Maybe you have knowledge that, people have search numerous times for their favorite readings like this Isuzu 4le1 Service Manual, but end up in harmful downloads. Rather than reading a



good book with a cup of coffee in the afternoon, instead they juggled with some harmful bugs inside their laptop. Isuzu 4le1 Service Manual is available in our book collection an online access to it is set as public so you can download it instantly. Our digital library spans in multiple locations, allowing you to get the most less latency time to download any of our books like this one. Merely said, Isuzu 4le1 Service Manual is universally compatible with any devices to read.

**Find Isuzu 4le1 Service Manual :**

[lwhd1009r manual](#)

*m rderische lust erotik thriller b rbel muschiol ebook*

[m nner unerw nscht trilogie b nde einem ebook](#)

[lucy lacey book 3 the rise](#)

[lufthansa instrument training manual](#)

**luddites guide to linkedin**

[m5009-user guide](#)

[m diter pour avoir confiance midal f](#)

[luther the life and longing of luther vandross](#)

**ls180 service manual**

**luna de pluton espasa juvenil**

[luthers epistle sermons vol trinity](#)

[lucy messenger hidden lands unparalleled](#)

*m4345 service and maintenance guide*

*m rchen 2016 paul hey*

**Isuzu 4le1 Service Manual :**

**free galaconfidential 10 anos de influencer ocio y ent** - Nov 04 2022

web galaconfidential 10 anos de influencer ocio y ent rick renner 10 anos de sucesso acústico discogs aug 08 2022 explore the tracklist credits statistics and more for 10 anos de sucesso acústico by rick renner compare versions and buy on discogs 10 años wikipedia

[galaconfidential 10 años de influencer crecimiento personal](#) - May 10 2023

web galaconfidential 10 años de influencer crecimiento personal gonzález gala amazon es libros

[galaconfidential 10 anos de influencer ocio y ent christine](#) - Apr 09 2023

web j y t kennedy danica lorer catherine macleod bruce meyer dominik parisien alexandra renwick andrew robertson lisa smedman sara c walker james wood a killer s alibi william l myers 2019 02 for attorney mick mcfarland the evidence is damning and so are the family secrets in this twisty legal thriller from the amazon charts

[galaconfidential 10 anos de influencer ocio y ent ftp popcake](#) - Dec 05 2022

web luego un libro de historia tampoco de diseñadores ni siquiera de comunicación de moda menos aún una autobiografía pero habla de historia de comunicación de diseñadores de anécdotas y curiosidades en primera persona a partir de entrevistas a más de cien actores claves marcas diseñadores modelos empresarios e influencers de

[galaconfidential 10 anos de influencer ocio y ent read only](#) - Apr 28 2022

web galaconfidential 10 anos de influencer ocio y ent 2016 11 19 2 22 galaconfidential 10 anos de influencer ocio y ent evitar la violencia escolar y otras formas de violencia

[galaconfidential 10 anos de influencer ocio y ent](#) - Jun 30 2022

web galaconfidential 10 anos de influencer ocio y ent downloaded from dotnbm com by guest compton kendra fashion revolution lid editorial see the iconic energetic art of aardman animations like never before the art of aardman takes readers on an unforgettable behind the scenes journey through the studio s archives this collection

[top instagram influencers in singapore for 2021 smmile](#) - Mar 28 2022

web oct 5 2021 yuyu monster is one of the top fashion and instagram influencers in singapore with over 202 000 followers she is one of the very few to use twitch as a medium to showcase her content her bright colorful hair and her big eyes have won the hearts of many fans especially those who love anime

**galaconfidential 10 anos de influencer ocio y ent** - Aug 13 2023

web galaconfidential 10 anos de influencer ocio y ent 3 3 created chicken run morph and of course wallace gromit kicking things off with forewords from founders peter lord and david sproxton this celebration of all things aardman is a must have for all animation fans galaconfidential galaconfidential galaconfidential

**galaconfidential 10 anos de influencer ocio y ent 2023** - Oct 15 2023

web galaconfidential 10 anos de influencer ocio y ent prosumidores emergentes redes sociales alfabetización y creación de contenidos aug 31 2020 el uso de las redes sociales y de las nuevas tecnologías en general nos expone a nuevos estímulos y sistemas de valores la forma en que percibimos a las empresas instituciones e individuos ha

[galaconfidential 10 años de influencer google play](#) - Jun 11 2023

web download for offline reading highlight bookmark or take notes while you read galaconfidential 10 años de influencer galaconfidential 10 años de influencer ebook written by gala gonzález read this book using google play books app on your pc

android ios devices

*galaconfidential 10 anos de influencer ocio y ent* - May 30 2022

web galaconfidential 10 anos de influencer ocio y ent downloaded from ci kubesail com by guest izaiah jaylen alice unbound routledge the theme for the 2018 d k dutt award for literary excellence was knowledge and education and bitter root sweet fruit pulls together the best stories submitted for the competition this

**galaconfidential 10 años de influencer goodreads** - Mar 08 2023

web read reviews from the world s largest community for readers los secretos personales profesionales y de moda de la influencer española más gala gonzález

**galaconfidential 10 anos de influencer ocio y ent christine** - Sep 02 2022

web galaconfidential 10 anos de influencer ocio y ent galaconfidential 10 anos de influencer ocio y ent 2 downloaded from donate pfi org on 2021 03 26 by guest in small part derived from the organic brain this shift in our understanding will redefine how we consider brain ego mind spirit and heart centered feelings

*galaconfidential 10 anos de influencer ocio y ent* - Jul 12 2023

web galaconfidential 10 anos de influencer ocio y ent 2021 01 03 august kendal fighting songs and warring words springer family relationships brings together leading 4 galaconfidential 10 anos de influencer ocio y ent 2021 01 03 marjorie jensen linda mccullough moore mari ness sharon kae reamer james rhodes j j roth terry

galaconfidential 10 anos de influencer ocio y ent copy - Jan 06 2023

web galaconfidential 10 anos de influencer ocio y ent galaconfidential 10 anos de influencer ocio y ent 1 downloaded from donate pfi org on 2021 05 19 by guest if you ally dependence such a referred galaconfidential 10 anos de influencer ocio y ent books that will present you worth acquire the certainly best seller from us currently from several

galaconfidential 10 anos de influencer ocio y ent - Oct 03 2022

web 2 galaconfidential 10 anos de influencer ocio y ent 2022 01 31 this collection brings together the five stories shortlisted for 2012 previous contributors include leila abouela chimamanda ngozi adichie brian chikwava and helon habila addicted to my ego caine prize annual prize for the sky is falling the world trembles beneath it

*downloadable free pdfs galaconfidential 10 anos de influencer ocio y ent* - Feb 07 2023

web galaconfidential 10 anos de influencer ocio y ent aug 15 2020 nelson textbook of pediatrics jun 17 2023 accompanying cd rom contains contents of book continuous updates slide image library references linked to medline pediatric guidelines case studies review questions fundamentals of investments jan 12 2023

*pdf galaconfidential 10 anos de influencer ocio y ent* - Sep 14 2023

web galaconfidential 10 anos de influencer ocio y ent tecnología digital y nuevas formas de ocio apr 05 2023 vivimos en un

mundo en el que apenas hay recoveco en nuestras vidas cotidianas que no haya sido transformado influenciado o afectado en alguna medida por la revolución digital uno de los ámbitos

**top 10 gen z influencers in singapore for 2021 digital business** - Feb 24 2022

web it all starts with finding the right influencer who best fits your brand s mission and goals to make things easier digital business lab shortlisted the top 10 gen z influencers in singapore these influencers rapidly gain popularity in the region from beauty to fitness while delivering quality content that engages and inspires the new wave of internet

**galaconfidential 10 anos de influencer ocio y ent** - Aug 01 2022

web galaconfidential 10 anos de influencer ocio y ent 3 3 de moda de la influencer española más internacional gala gonzález pocas españolas pueden presumir de haber alcanzado un reconocimiento a nivel mundial gala gonzález ha conseguido a fuerza de profesionalidad tesón y una buena combinación de experimentación

**new matura success intermediate teachers support uniport edu** - Jul 24 2022

web mar 27 2023 new matura success intermediate teachers support 1 7 downloaded from uniport edu ng on march 27 2023 by guest new matura success intermediate teachers support eventually you will definitely discover a other experience and achievement by spending more cash still when accomplish you recognize that you

**new matura success intermediate teacher s support book** - Oct 07 2023

web new matura success intermediate teacher s support book author grant kempton publisher pearson central europe 2012 isbn 8376002295 9788376002293 length 207 pages export citation bibtext endnote refman

[matura succes pre intermediate teachers support book](#) - Feb 16 2022

web new matura success success intermediate life intermediate teachers book common european framework of reference for languages learning teaching assessment english collocations in use intermediate opportunities intermediate students book managerial imperative and the practice of leadership in schools the introduction to research in

*new matura success intermediate teachers support pdf* - Apr 01 2023

web 4 new matura success intermediate teachers support 2022 05 21 depth practice of grammar vocabulary reading writing listening and speakingskills online practice media rich content vox pops vlogs grammar animations with interesting and engaging topics and texts online practice automatic marking with instant feedback and progress

[newmaturasuccessintermediateteacherssupport 2022](#) - Aug 25 2022

web my matura success common european framework of reference for languages learning teaching assessment matura success corrupt schools corrupt universities the teen years explained success educational accountability new matura success success new success upper intermediate teaching philosophy in europe and north america pisa

**matura success pre intermediate teacher s support book** - Oct 27 2022

web mar 3 2016 matura succes pre intermediate teachers support book 2009 language and skills tests language and skills test 1 a units 1 2 vocabulary and grammar 1 complete the sentences with the correct adjective of personality from the box polite helpful modest tolerant quiet lazy proud rude selfish 0

*matura succes pre intermediate teachers support book* - Jun 22 2022

web promote and support the learning and teaching of modern languages enhance intercultural dialogue and thus mutual understanding social cohesion and democracy protect linguistic and cultural diversity in europe and promote the right to quality education for all

**new matura success intermediate teachers support** - Sep 25 2022

web aug 17 2023 new matura success intermediate teachers support author iet donnu edu ua 2023 08 17 22 03 25 subject new matura success intermediate teachers support keywords new matura success intermediate teachers support created date 8 17 2023 10 03 25 pm

*new matura success intermediate teachers support pdf* - Jun 03 2023

web apr 30 2023 teachers support member that we present here and check out the link you could buy lead new matura success intermediate teachers support or acquire it as soon as feasible

**new success intermediate teacher s support book langpath** - May 02 2023

web jul 4 2020 new success intermediate teacher s support book pdf 12 thematic models every consisting of eight pages every unit clearly divided into sections grammar and listening studying and vocabulary vocabulary listening and talking writing examination revision each 2 models finish matter scholar actions for information gap

*new matura success intermediate teachers support pdf* - Aug 05 2023

web jul 14 2023 matura success intermediate teachers support can be one of the options to accompany you when having additional time it will not waste your time take me the e book will utterly announce you other issue to read

**new matura success intermediate teachers support** - Nov 27 2022

web it is your completely own times to appear in reviewing habit in the midst of guides you could enjoy now is new matura success intermediate teachers support below essentials of nursing informatics 5th edition virginia saba 2011 07 21 the classic text on how nurses can use technology to improve

**pdf new matura success intermediate teachers support** - Sep 06 2023

web new matura success intermediate teachers support new success pre intermediate mar 26 2022 12 thematic units each consisting of 8 pages each unit clearly divided into sections grammar and listening reading and vocabulary vocabulary listening and speaking writing exam revision every 2 units end matter student

[new matura solutions teacher s site teaching resources](#) - Jul 04 2023

web witamy na stronie new matura solutions poświęconej wyłącznie temu kursowi tu znajdziesz wszystko co może się przydać nauczycielowi uczącemu z tego kursu przeglądaj i ściągnij materiały które wykorzystasz na lekcjach z new matura solutions między innymi testy

**new matura success intermediate teachers support uniport edu** - Mar 20 2022

web apr 17 2023 new matura success intermediate teachers support 3 6 downloaded from uniport edu ng on april 17 2023 by guest opportunity to get students talking english file third edition offers more support for teachers and students teacher s book provides over 100 photocopiables to save preparation time plus extra tips and ideas

**new success upper intermediate tb academia edu** - Jan 30 2023

web welcome to new success the new edition of the best selling course for upper secondary students this introduction

**matura succes pre intermediate teachers support book** - May 22 2022

web teachers includes a teacher s book with over 100 photocopiables along with extra tips and ideas the classroom presentation tool brings your classroom to life with the student s book and workbook on screen and interactive

**matura success upper intermediate student s book pdf scribd** - Feb 28 2023

web matura success upper intermediate student s book free download as pdf file pdf text file txt or read online for free

[matura succes pre intermediate teachers support book pdf](#) - Apr 20 2022

web new english file english file third edition provides the right mix of language motivation and opportunity to get students talking english file third edition offers more support for teachers and students teacher s book provides over 100 photocopiables to save preparation time plus extra tips and ideas classroom

**new success upper intermediate teacher s support book** - Dec 29 2022

web jul 4 2020 with the same unit organisation and methodology as success but with new material for reading and listening new success can be covered in one academic year at this level in upper secondary related posts new success upper intermediate tests format pdf size 5 mb series new success level upper intermediate date 2012

**air force group y syllabus 2023 download subject wise free syllabus** - Mar 11 2023

web jul 24 2023 download air force group y syllabus 2023 pdf for free at safalta com get details about important exam topics study pattern preparation strategy and much more safalta exam preparation online download app

[download y group syllabus 2014 uniport edu](#) - Feb 10 2023

web apr 14 2023 download y group syllabus 2014 is understandable in our digital library an online entry to it is set as public as a result you can download it instantly our digital library saves in merged countries allowing you to get the most

[download y group syllabus 2014 cybersmash](#) - Jun 02 2022

web the syllabus material on the modeling examinations of the society of actuaries canadian institute of actuaries and the

casualty actuarial society soa cia exams mlc and c csa exams 3l and 4 extensively revised and updated with new material orders the topics specifically to facilitate learning provides a streamlined approach to actuarial

[download y group syllabus 2014 pdf georgiacollegesurvey gcsu](#) - Jun 14 2023

web 2 download y group syllabus 2014 2023 04 12 designed to help teachers understand and implement standards based curriculums cognitive psychologists curriculum specialists teacher educators and researchers have developed a two dimensional framework focusing on knowledge and cognitive processes in combination these two

**tspsc group 4 syllabus 2023 download latest syllabus pdf** - Dec 28 2021

web jun 30 2023 on this page candidates will get tspsc group 4 syllabus 2023 for paper 1 2 pdf download links are available on this page with the latest tspsc group 4 exam pattern in english and telugu tspsc group 4 syllabus organization telangana state public service commission tspsc exam name tspsc group 4 category

[air force y group syllabus download subject wise syllabus](#) - Jul 15 2023

web airforce y group syllabus is prescribed by the recruitment body of the indian airforce to guide candidates about the key subjects and topics that are crucial for the examination candidates must refer to the airforce group y syllabus to devise an effective study plan

[download y group syllabus 2014 pdf 2023 oliviaoldroyd com](#) - Jan 29 2022

web apr 6 2023 it is your completely own get older to play a part reviewing habit accompanied by guides you could enjoy now is download y group syllabus 2014 pdf below

**download y group syllabus 2014 pdf uniport edu** - Dec 08 2022

web jul 24 2023 to the new 2014 chemistry syllabus this completely revised edition gives you unrivalled support for the new concept based approach the nature of science the only dp chemistry resource that includes support directly from the ib

[where to download y group syllabus 2014 free download pdf](#) - Jul 03 2022

web aug 4 2023 download and install the y group syllabus 2014 it is very simple then back currently we extend the join to purchase and create bargains to download and install y group syllabus 2014 hence simple recognizing the artifice ways to get this books y group syllabus 2014 is additionally useful

[download y group syllabus 2014 online kptm edu my](#) - Sep 05 2022

web download y group syllabus 2014 indian air force syllabus 2018 iaf group x y subject wise download indian air force group x and y syllabus 2018 pdf scheme and syllabus for recruitment to the posts of group ib 150 syllabus uiuc spring 2014

mybooklibrary com new cima syllabus the astranti guide to the new

**download y group syllabus 2014 uniport edu** - Mar 31 2022

web jul 21 2023 download y group syllabus 2014 right here we have countless books download y group syllabus 2014 and

collections to check out we additionally come up with the money for variant types and in addition to type of the books to browse

*air force group y syllabus and exam pattern 2022 adda247* - Nov 07 2022

web nov 24 2022 if you click on the link provided below you will find all the syllabus subject wise air force y group syllabus pdf english download air force y group syllabus pdf maths download air force y group syllabus pdf physics download air force y group syllabus pdf raga download air force group y exam pattern here we will

download y group syllabus 2014 pdf uniport edu - Apr 12 2023

web aug 12 2023 download and install download y group syllabus 2014 appropriately simple ross wilson anatomy and physiology in health and illness e book anne waugh 2018 07 12 the new edition of the hugely successful ross and wilson anatomy

**download solutions download y group syllabus 2014** - Oct 06 2022

web download y group syllabus 2014 descriptive english mar 17 2020 a number of national level examinations like ias mains state pcs ies ifs etc check the english language aptitude of candidates with a compulsory english language paper this book has been

y group syllabus 2014 domainlookup - May 13 2023

web mar 20 2023 8 year wise mh cet mba mms solved papers 2014 2021 2nd edition disha experts the book 8 year wise mh cet mba mms solved papers 2014 2021 covers previous year solved papers from 2014 to 2021 with detailed solutions the past papers will guide you in terms of understanding the pattern types of questions their

**download y group syllabus 2014 virtualevents straumann com** - Feb 27 2022

web download y group syllabus 2014 indian air force syllabus 2018 iaf group x y exam pattern mathematics syllabus cxc education examinations introduction to technology and operations management tom masayoshi in size 6 dksyhkebook shita mefound com welcome to ugc new delhi india 02 cells

download y group syllabus 2014 beta login rschooltoday com - Aug 04 2022

web download y group syllabus 2014 1 download y group syllabus 2014 as recognized adventure as competently as experience about lesson amusement as competently as conformity can be gotten by just checking out a books download y group syllabus 2014 furthermore it is not directly done you could believe even more almost this life almost

**download y group syllabus 2014 pdf 2023 ammonportfolio com** - May 01 2022

web mar 15 2023 download y group syllabus 2014 pdf as you such as by searching the title publisher or authors of guide you really want you can discover them rapidly in the house workplace or perhaps in your method can be all best place within net connections if you plan to download



**air force group y syllabus exam pattern 2023 get details here** - Jan 09 2023

web air force group y syllabus exam pattern 2023 get subject wise syllabus exam pattern marking scheme preparation strategy books to be referred for preparation

**download y group syllabus 2014 pdf uniport edu** - Aug 16 2023

web aug 6 2023 download y group syllabus 2014 2 11 downloaded from uniport edu ng on august 6 2023 by guest including helpful revision questions and an all new art programme to help make learning even easier the 13th edition retains its popular website which contains a wide range of critical thinking exercises as well as new