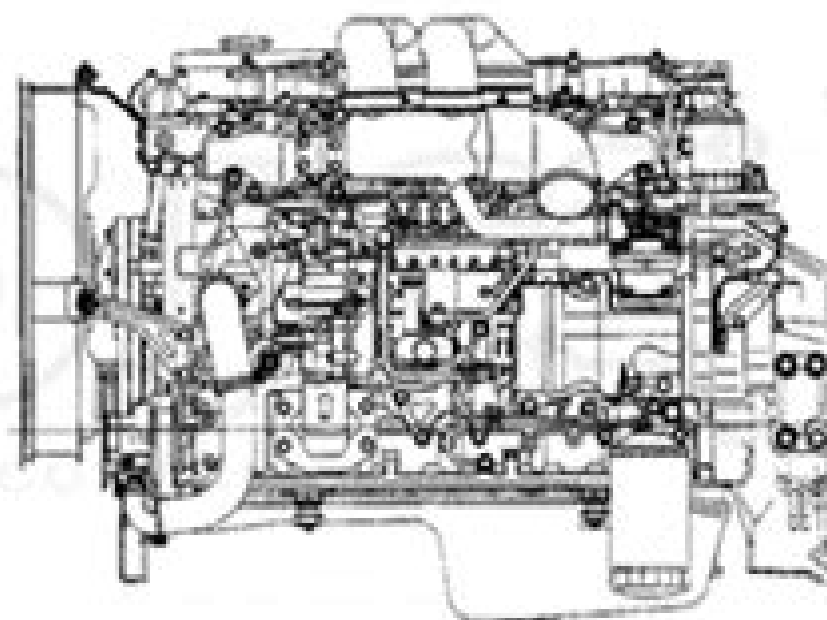
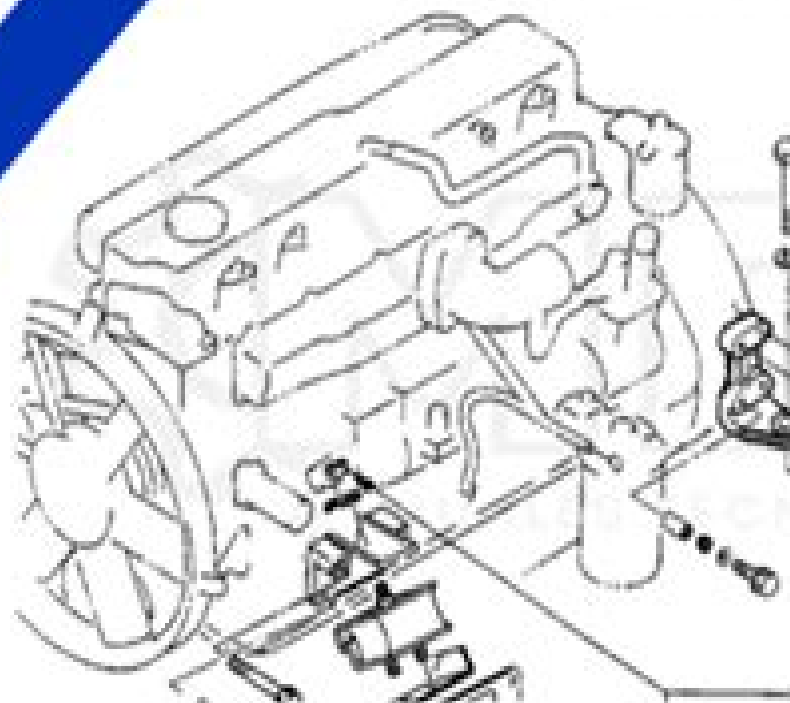


ISUZU

6HH1



Diesel L6 / Direct Injection / 8,226 cm³ / 2 Valve / OHC



Isuzu 6hh1 Engine Manual

CH Cherryholmes



Isuzu 6hh1 Engine Manual:

This is likewise one of the factors by obtaining the soft documents of this **Isuzu 6hh1 Engine Manual** by online. You might not require more mature to spend to go to the books commencement as competently as search for them. In some cases, you likewise accomplish not discover the statement Isuzu 6hh1 Engine Manual that you are looking for. It will entirely squander the time.

However below, afterward you visit this web page, it will be hence categorically simple to acquire as well as download lead Isuzu 6hh1 Engine Manual

It will not admit many epoch as we tell before. You can reach it even if take effect something else at house and even in your workplace. thus easy! So, are you question? Just exercise just what we come up with the money for under as with ease as review **Isuzu 6hh1 Engine Manual** what you in the same way as to read!

<http://www.armchairempire.com/data/uploaded-files/index.jsp/matlab%20for%20engineers%20solution%20manual%20moore.pdf>

Table of Contents Isuzu 6hh1 Engine Manual

1. Understanding the eBook Isuzu 6hh1 Engine Manual
 - The Rise of Digital Reading Isuzu 6hh1 Engine Manual
 - Advantages of eBooks Over Traditional Books
2. Identifying Isuzu 6hh1 Engine Manual
 - Exploring Different Genres
 - Considering Fiction vs. Non-Fiction
 - Determining Your Reading Goals
3. Choosing the Right eBook Platform
 - Popular eBook Platforms
 - Features to Look for in an Isuzu 6hh1 Engine Manual
 - User-Friendly Interface

4. Exploring eBook Recommendations from Isuzu 6hh1 Engine Manual
 - Personalized Recommendations
 - Isuzu 6hh1 Engine Manual User Reviews and Ratings
 - Isuzu 6hh1 Engine Manual and Bestseller Lists
5. Accessing Isuzu 6hh1 Engine Manual Free and Paid eBooks
 - Isuzu 6hh1 Engine Manual Public Domain eBooks
 - Isuzu 6hh1 Engine Manual eBook Subscription Services
 - Isuzu 6hh1 Engine Manual Budget-Friendly Options
6. Navigating Isuzu 6hh1 Engine Manual eBook Formats
 - ePub, PDF, MOBI, and More
 - Isuzu 6hh1 Engine Manual Compatibility with Devices
 - Isuzu 6hh1 Engine Manual Enhanced eBook Features
7. Enhancing Your Reading Experience
 - Adjustable Fonts and Text Sizes of Isuzu 6hh1 Engine Manual
 - Highlighting and Note-Taking Isuzu 6hh1 Engine Manual
 - Interactive Elements Isuzu 6hh1 Engine Manual
8. Staying Engaged with Isuzu 6hh1 Engine Manual
 - Joining Online Reading Communities
 - Participating in Virtual Book Clubs
 - Following Authors and Publishers Isuzu 6hh1 Engine Manual
9. Balancing eBooks and Physical Books Isuzu 6hh1 Engine Manual
 - Benefits of a Digital Library
 - Creating a Diverse Reading Collection Isuzu 6hh1 Engine Manual
10. Overcoming Reading Challenges
 - Dealing with Digital Eye Strain
 - Minimizing Distractions
 - Managing Screen Time
11. Cultivating a Reading Routine Isuzu 6hh1 Engine Manual
 - Setting Reading Goals Isuzu 6hh1 Engine Manual
 - Carving Out Dedicated Reading Time

12. Sourcing Reliable Information of Isuzu 6hh1 Engine Manual
 - Fact-Checking eBook Content of Isuzu 6hh1 Engine Manual
 - Distinguishing Credible Sources
13. Promoting Lifelong Learning
 - Utilizing eBooks for Skill Development
 - Exploring Educational eBooks
14. Embracing eBook Trends
 - Integration of Multimedia Elements
 - Interactive and Gamified eBooks

Isuzu 6hh1 Engine Manual Introduction

Free PDF Books and Manuals for Download: Unlocking Knowledge at Your Fingertips In todays fast-paced digital age, obtaining valuable knowledge has become easier than ever. Thanks to the internet, a vast array of books and manuals are now available for free download in PDF format. Whether you are a student, professional, or simply an avid reader, this treasure trove of downloadable resources offers a wealth of information, conveniently accessible anytime, anywhere. The advent of online libraries and platforms dedicated to sharing knowledge has revolutionized the way we consume information. No longer confined to physical libraries or bookstores, readers can now access an extensive collection of digital books and manuals with just a few clicks. These resources, available in PDF, Microsoft Word, and PowerPoint formats, cater to a wide range of interests, including literature, technology, science, history, and much more. One notable platform where you can explore and download free Isuzu 6hh1 Engine Manual PDF books and manuals is the internet's largest free library. Hosted online, this catalog compiles a vast assortment of documents, making it a veritable goldmine of knowledge. With its easy-to-use website interface and customizable PDF generator, this platform offers a user-friendly experience, allowing individuals to effortlessly navigate and access the information they seek. The availability of free PDF books and manuals on this platform demonstrates its commitment to democratizing education and empowering individuals with the tools needed to succeed in their chosen fields. It allows anyone, regardless of their background or financial limitations, to expand their horizons and gain insights from experts in various disciplines. One of the most significant advantages of downloading PDF books and manuals lies in their portability. Unlike physical copies, digital books can be stored and carried on a single device, such as a tablet or smartphone, saving valuable space and weight. This convenience makes it possible for readers to have their entire library at their fingertips, whether they are commuting, traveling, or simply enjoying a lazy afternoon at home. Additionally, digital files are easily searchable, enabling readers to locate specific information within seconds. With a few keystrokes,

users can search for keywords, topics, or phrases, making research and finding relevant information a breeze. This efficiency saves time and effort, streamlining the learning process and allowing individuals to focus on extracting the information they need. Furthermore, the availability of free PDF books and manuals fosters a culture of continuous learning. By removing financial barriers, more people can access educational resources and pursue lifelong learning, contributing to personal growth and professional development. This democratization of knowledge promotes intellectual curiosity and empowers individuals to become lifelong learners, promoting progress and innovation in various fields. It is worth noting that while accessing free Isuzu 6hh1 Engine Manual PDF books and manuals is convenient and cost-effective, it is vital to respect copyright laws and intellectual property rights. Platforms offering free downloads often operate within legal boundaries, ensuring that the materials they provide are either in the public domain or authorized for distribution. By adhering to copyright laws, users can enjoy the benefits of free access to knowledge while supporting the authors and publishers who make these resources available. In conclusion, the availability of Isuzu 6hh1 Engine Manual free PDF books and manuals for download has revolutionized the way we access and consume knowledge. With just a few clicks, individuals can explore a vast collection of resources across different disciplines, all free of charge. This accessibility empowers individuals to become lifelong learners, contributing to personal growth, professional development, and the advancement of society as a whole. So why not unlock a world of knowledge today? Start exploring the vast sea of free PDF books and manuals waiting to be discovered right at your fingertips.

FAQs About Isuzu 6hh1 Engine Manual Books

How do I know which eBook platform is the best for me? Finding the best eBook platform depends on your reading preferences and device compatibility. Research different platforms, read user reviews, and explore their features before making a choice. Are free eBooks of good quality? Yes, many reputable platforms offer high-quality free eBooks, including classics and public domain works. However, make sure to verify the source to ensure the eBook credibility. Can I read eBooks without an eReader? Absolutely! Most eBook platforms offer webbased readers or mobile apps that allow you to read eBooks on your computer, tablet, or smartphone. How do I avoid digital eye strain while reading eBooks? To prevent digital eye strain, take regular breaks, adjust the font size and background color, and ensure proper lighting while reading eBooks. What the advantage of interactive eBooks? Interactive eBooks incorporate multimedia elements, quizzes, and activities, enhancing the reader engagement and providing a more immersive learning experience. Isuzu 6hh1 Engine Manual is one of the best book in our library for free trial. We provide copy of Isuzu 6hh1 Engine Manual in digital format, so the resources that you find are reliable. There are also many Ebooks of related with Isuzu 6hh1 Engine Manual. Where to download Isuzu

6hh1 Engine Manual online for free? Are you looking for Isuzu 6hh1 Engine Manual PDF? This is definitely going to save you time and cash in something you should think about. If you trying to find then search around for online. Without a doubt there are numerous these available and many of them have the freedom. However without doubt you receive whatever you purchase. An alternate way to get ideas is always to check another Isuzu 6hh1 Engine Manual. This method for see exactly what may be included and adopt these ideas to your book. This site will almost certainly help you save time and effort, money and stress. If you are looking for free books then you really should consider finding to assist you try this. Several of Isuzu 6hh1 Engine Manual are for sale to free while some are payable. If you arent sure if the books you would like to download works with for usage along with your computer, it is possible to download free trials. The free guides make it easy for someone to free access online library for download books to your device. You can get free download on free trial for lots of books categories. Our library is the biggest of these that have literally hundreds of thousands of different products categories represented. You will also see that there are specific sites catered to different product types or categories, brands or niches related with Isuzu 6hh1 Engine Manual. So depending on what exactly you are searching, you will be able to choose e books to suit your own need. Need to access completely for Campbell Biology Seventh Edition book? Access Ebook without any digging. And by having access to our ebook online or by storing it on your computer, you have convenient answers with Isuzu 6hh1 Engine Manual To get started finding Isuzu 6hh1 Engine Manual, you are right to find our website which has a comprehensive collection of books online. Our library is the biggest of these that have literally hundreds of thousands of different products represented. You will also see that there are specific sites catered to different categories or niches related with Isuzu 6hh1 Engine Manual So depending on what exactly you are searching, you will be able to choose ebook to suit your own need. Thank you for reading Isuzu 6hh1 Engine Manual. Maybe you have knowledge that, people have search numerous times for their favorite readings like this Isuzu 6hh1 Engine Manual, but end up in harmful downloads. Rather than reading a good book with a cup of coffee in the afternoon, instead they juggled with some harmful bugs inside their laptop. Isuzu 6hh1 Engine Manual is available in our book collection an online access to it is set as public so you can download it instantly. Our digital library spans in multiple locations, allowing you to get the most less latency time to download any of our books like this one. Merely said, Isuzu 6hh1 Engine Manual is universally compatible with any devices to read.

Find Isuzu 6hh1 Engine Manual :

matlab for engineers solution manual moore

[maya banks 2shared](#)

[maytag neptune electric dryer manual](#)

matrix theory dover books on mathematics

mazda 6 2015 owner manual

max and benedict a birds eye view of the popes daily life

matrix shade guide

matlab solutions manual by stormy

mayflower story courage community war

matlab for engineers solution manual

mazda b6 ecu wiring diagram

maya chronicles daniel g brinton

max galli katzen dumont kalenderverlag

maulviexamination results com

mazda b2600i 4x4 workshop manual

Isuzu 6hh1 Engine Manual :

vivre en ha c ros pour l a c veil - Apr 10 2023

web vivre en ha c ros pour l a c veil ac dc is back in black at power trip day 2 los angeles times jul 27 2022 web oct 8 2023 1 29 pm pt indio brian johnson stood onstage at the power trip festival on saturday night two days after his 76th birthday with the rest of ac dc behind him for the first time le lac sep 28 2022

homeless hearts of singapore to make singapore a city of - Mar 29 2022

web 2018 it all began on a trip to japan when he was helping out tsunami survivors who had been displaced from their homes that experience opened abraham s eyes to notice singapore s own forgotten population and to start homeless hearts of singapore a group that cares for and befriends this forgotten population if you aspire to start your

vivre à singapour ce qu il faut savoir paris singapore - May 31 2022

web no description tout ce qu il faut savoir pour vivre à singapour coût de la vie comment se loger monde du travail règles pour les visas budgets sorties

vivre en ha c ros pour l a c veil pdf uniport edu - Dec 06 2022

web sep 9 2023 vivre en ha c ros pour l a c veil 3 5 downloaded from uniport edu ng on september 9 2023 by guest le roman de la rose au xive i e quatorzième siècle pierre yves badel 1980 le juif errant eugène sue 1844 dictionnaire historique et critique par m pierre bayle avec la vie de l auteur par m des maizeaux tome premier quatrieme

vivre en ha c ros pour l a c veil pdf - Jun 12 2023

web oct 10 2023 vivre en ha c ros pour l a c veil arts humanities citation index 1991 a franco american overview 1980 the

history of science fiction a roberts 2005 11 28 the history of science fiction traces the origin and development of science fiction from ancient greece up to the present day the author is both an academic literary critic and acclaimed

vivre en ha c ros pour l a c veil download only legacy theoc - Oct 16 2023

web vivre en ha c ros pour l a c veil français interactif la vie du bienheureux gregoire lopez ecrite par françois losa curé de l eglise cathedrale de la ville de mexico dans la nouvelle espagne de la traduction de mr arnauld d andilly sur l exemplaire imprimé à madrid en 1658 the english catalogue of books annual

vivre en ha c ros pour l a c veil pdf pdf bukuclone ortax - Sep 15 2023

web vivre en ha c ros pour l a c veil pdf pages 2 11 vivre en ha c ros pour l a c veil pdf upload herison s williamson 2 11 downloaded from bukuclone ortax org on september 18 2023 by herison s williamson l ami fritz erckmann chatrian 1886 la semaine des enfants 1862 références urbaines régionales supplément

vivre en ha c ros pour l a c veil wrbb neu - Apr 29 2022

web vivre en ha c ros pour l a c veil 1 vivre en ha c ros pour l a c veil when somebody should go to the book stores search commencement by shop shelf by shelf it is in fact problematic this is why we provide the books compilations in this website it will no question ease you to look guide vivre en ha c ros pour l a c veil as you such as

[vivre en ha c ros pour l a c veil pdf full pdf](#) - Aug 02 2022

web jun 10 2023 it is your extremely own become old to perform reviewing habit in the course of guides you could enjoy now is vivre en ha c ros pour l a c veil pdf below vivre en ha c ros pour l a c veil molière book web apr 20 2023 enjoy now is vivre en ha c ros pour l a c veil below contre mémoire united

vivre en ha c ros pour l a c veil pdf alwin kloekhorst pdf - Mar 09 2023

web jun 5 2023 this vivre en ha c ros pour l a c veil pdf but stop going on in harmful downloads rather than enjoying a fine ebook subsequently a cup of coffee in the afternoon on the other hand they juggled subsequent to some harmful virus inside their computer vivre en ha c ros pour l a c veil pdf is easy to get to in our digital library

[vivre en h ros pour l veil bodhisattvacharyavatara pocket book](#) - May 11 2023

web vivre en h ros pourwelcome *speech for church women s conference kingdomgist* - Mar 11 2023

web nov 22 2022 thank you all for gathering here today glory be to god welcome speech for women s ministry 3 we welcome everyone here with a smile and fellowship just as the rising sun greets us in the morning may we give thanks for this special occasion today and honor our fellow sisters of god

how to write a welcome speech academic conference edition - Dec 28 2021

web aug 26 2022 an excellent welcome speech will unite the audience helping them come together for a common purpose see some examples of welcome speeches here and learn how to write your own below how to write a welcome speech for a

conference 1 get the event focus and tone right since a welcome speech sets the tone for a conference

speech building a strengthened un women solutions to close - Oct 06 2022

web sep 12 2023 the consensus declaration features for the first time a standalone commitment on gender equality it recognizes the multiplier effect that investing in women and girls has un women worked very closely with the g20 secretariat and the government of india throughout its presidency work that was made possible through our triple mandate

church women conference welcome speech church pastor guide - Jan 09 2023

web stay blessed and god loves you church women conference welcome speech welcome address by the women chairman theme remember lot s wife welcome address by the women chairman during women conference sample here women of zion i greet you in the name of our lord jesus good morning

welcome speech for conference 9 examples format sample - Feb 10 2023

web for some events like a graduation a wedding or a conference welcome speeches are the most common type to use sometimes we often find it difficult to write a good welcome speech but that issue can be solved this article right here will help you make a good welcome speech so check it out

exciting welcome speeches for churches 29 examples to - Jan 29 2022

web gesturing with an open palm signifies hospitality and openness finally when greeting anyone who joins you on stage be sure to say their name and title and provide a brief overview of what they will be discussing avoid asking for applause as the audience will typically applaud naturally 3 evoke emotions

how to write a good welcome speech with a sample speech - Jul 03 2022

web sep 16 2022 you ll find everything you need here a complete step by step guide to help you write and deliver a good welcome speech what s on this page there s notes on the function or purpose of a welcome speech notes covering language choice to set the tone of the event a speech template recipe to follow a short welcome speech sample to

welcome speech for conference infinity learn - Aug 04 2022

web welcome speech for conference welcome speech is a type of speech presented to welcome your guests and audience in a given event like a seminar conference or a party being hosted by you here the kind of welcome speech covered is for a conference

welcome speech for conference in english best examples - Jun 02 2022

web aug 7 2021 welcome speech for conference the opening speech for a conference normally explains in a brief run through about the list of events planned for the day against a corresponding timeline the host discusses the theme and context of the conference in a welcome speech speakers and delegates of the events are introduced formally

speech women leaders decisive effective and inclusive - Feb 27 2022

web sep 20 2022 speech speech women leaders decisive effective and inclusive opening remarks by un women executive director sima bahous at the inaugural meeting of the un general assembly platform of women leaders transformative solutions by women leaders to today s interlinked challenges 20 september 2022 un women

[welcome speech for conference a plus topper](#) - Sep 05 2022

web mar 20 2023 welcome speech for conference very good morning to one and all present here my name is suraj and i ll be giving the welcome speech for today s conference and kicking off the 3 day event starting today

[welcome speech for a scientific conference examples tips](#) - May 13 2023

web a great welcome speech sets the tone for the conference it makes everyone feel welcome and creates the appropriate environment for the exchange of knowledge the speech should broadly outline the contents of the event and most importantly make everyone feel excited for what s to come

opening remarks at international women s day 2020 escap - Jul 15 2023

web mar 9 2020 excellencies distinguished representatives generation equality change makers colleagues a very warm welcome to the 2020 asia pacific commemoration of international women s day today it my honour to host you along with the colleagues from un women for this important occasion

church annual women conference welcome address - Apr 12 2023

web church annual women conference welcome address the women of excellence i greet you in the name of our lord jesus how are you how have you been how was the journey we are very much grateful for you being here we are here for a purpose and want to thank god for giving us this chance to come together in this conference praise god

i need a welcome speech for our church s womens conference - May 01 2022

web there are a few factors you need to take into consideration when writing this welcome speech for your church s women s day celebration research one of the most important things you need to show the congregation in this speech is

[8 conference welcome letter examples teambuilding com](#) - Jun 14 2023

web aug 15 2023 1 welcome letter to workshop participants dear attendees thank you for your participation in our workshop we appreciate having you in attendance and look forward to working with you

welcome speech for church women s conference - Aug 16 2023

web aug 10 2022 welcome speech for church women s conference welcome speech for women s ministry 1 good morning and god bless us all as we gather here on this beautiful day i would like to sincerely thank each one of you for your time and would like to welcome everyone to this joyous occasion for the women in the church

opening remarks to the press at high level event on women in - Mar 31 2022

web feb 27 2015 i am especially pleased to be here to take part in today s high level conference on women in power and

decision making i want to recognize and commend the leadership of president michelle

[welcome speech for conference or special event can u write](#) - Nov 07 2022

web throughout this conference i ask you to stay engaged keep us proactive and help us shape the future of organization s specialty field my personal respect and thanks goes out to all of you more information we hope this free sample welcome speech for a conference or special event was helpful for you to prepare remarks we have lots of

[2023 samples of welcoming and short opening remarks for](#) - Dec 08 2022

web jan 9 2023 here are some examples of short opening remarks for a program 1 you are welcome to program name we re so happy you could be here with us today 2 we appreciate your attendance at program name and wish you a good morning afternoon evening 3 i d like to extend a warm welcome to you on behalf of

icas past papers icas assessments - Jan 04 2023

web may 10 2023 the international competitions and assessments for schools or icas for short is an independent skills based assessment program icas recognises and

[icas science paper c test prep practice study com](#) - Dec 03 2022

web focus tests and icas style tests means we re able to work on each skill individually once a weakness is identified easy to use valuable resource rise is australia s leading

icas test subjects icas assessments - May 08 2023

web jun 14 2023 get ready for the icas science paper f exam with this simple and convenient test prep course the course s video lessons and self assessments can help

international competitions and assessments for schools - Dec 23 2021

icas science paper a test prep practice study com - Apr 07 2023

web may 8 2016 the international competitions and assessments for schools icas is an independent skills based assessment program which recognises and rewards student

icas preparation and practice tools icas assessments - Jul 10 2023

web icas competitions are available in a variety of subjects across most year levels find out more about the subjects assessed in icas tests

[what is icas international competitions and assessments for](#) - Apr 26 2022

[icas science paper f test prep practice study com](#) - Aug 31 2022

web icas caters for students in years 2 to 12 years 1 to 12 for singapore and assesses students skills in digital technologies

english mathematics science spelling and

online exam practice tests for year 2 to 7 students rise - Mar 26 2022

icas leading academic competition icas assessments - Feb 05 2023

web test and improve your knowledge of icas science paper a test prep practice with fun multiple choice exams you can take online with study com

icas assessments examples of question types asked in icas - Feb 22 2022

icas science quiz wellington girls college - Jan 24 2022

icas reach test dates australia icas assessments - Oct 21 2021

icas assessments school assessments academic - Aug 11 2023

web icas are conducted annually in australia and in over 20 countries in asia africa europe pacific countries and america wikipedia knowledge skills tested computer skills

icas science paper i test prep practice - Nov 02 2022

web may 26 2022 learn about the different question types asked in icas and reach assessments and how to use the testing platform so that you are prepared for taking the

icas science test for year 2 to year 10 icas - Sep 12 2023

web give your child the best chance of success for icas our preparation tools allow your child to practise for icas in the most authentic way possible you can choose from past

icas science paper e test prep practice study com - Oct 01 2022

web sep 15 2021 the test has now been moved later in the year and wgc will be sitting the icas science test on monday 18th october 2021 after school if you missed out the

pdf icas practice questions with answers interes education - Jul 30 2022

web olympiad exams in india icas a comprehensive educational assessment program allows you to find your child s academic strengths and weaknesses in the areas of english

icas science paper c test prep practice final exam - Jun 28 2022

web aug 11 2023 october 2023 monday 20 may 2024 11 59pm aest australian schools our online shop is open for reach 2023 orders log in or create your shop account to

icas sample questions past papers - Jun 09 2023

web sep 5 2023 this online test prep course can help anyone who s planning to take the icas science paper e exam work through the course at your own pace to review engaging

icas digital technology english mathematics science - Nov 21 2021

icas science paper a test prep practice final exam - May 28 2022

icas practice tests online for year 2 7 rise - Mar 06 2023

web icas science paper c test prep practice final exam free practice test instructions choose your answer to the question and click continue to see how you did then click