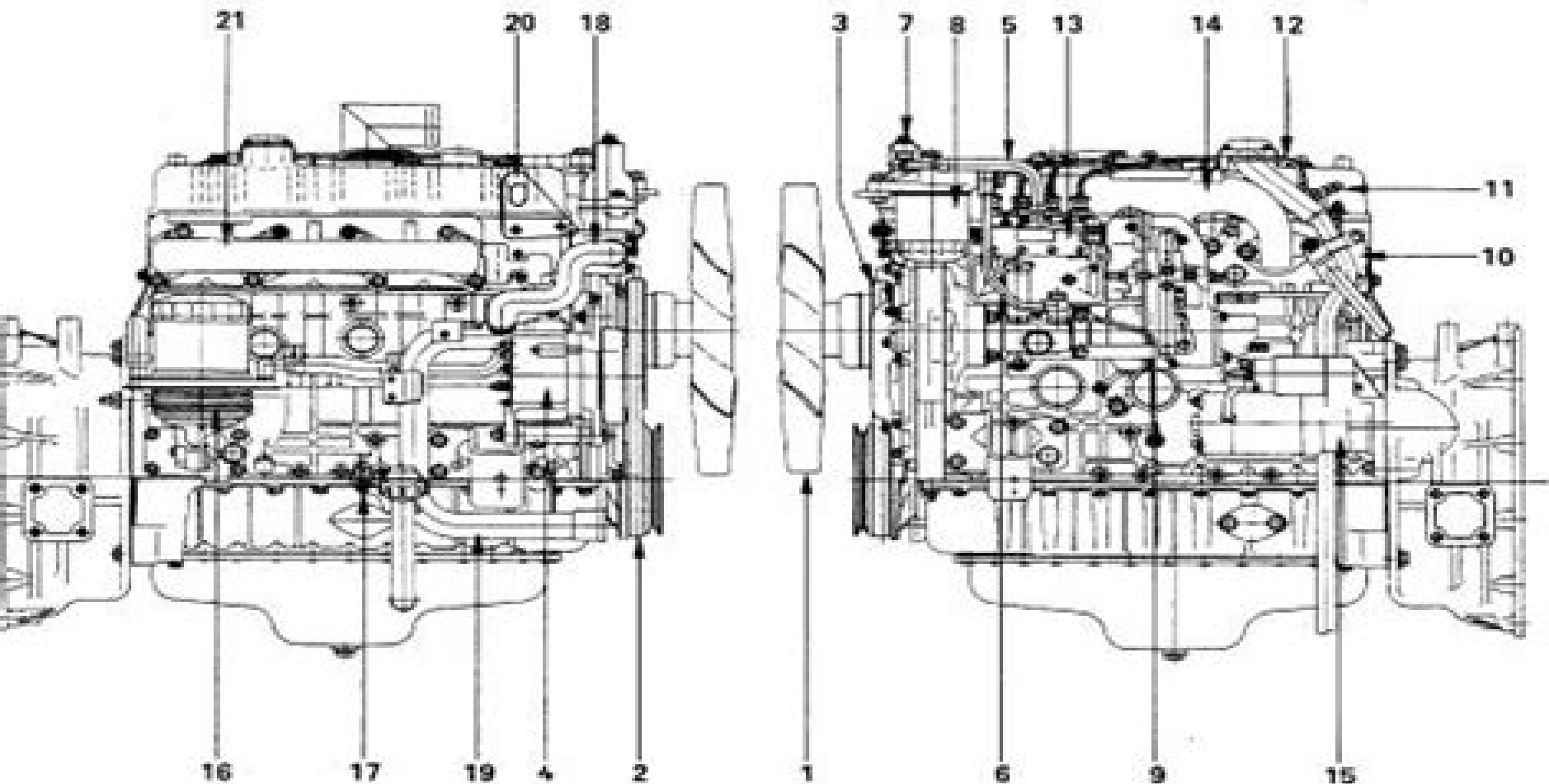


SERVICE MANUAL

4JB1 ISUZU

ENGINES



Isuzu Diesel 4jb1 Engine Manual

SJ Ball



Isuzu Diesel 4jb1 Engine Manual:

Thank you for reading **Isuzu Diesel 4jb1 Engine Manual**. Maybe you have knowledge that, people have search hundreds times for their chosen books like this Isuzu Diesel 4jb1 Engine Manual, but end up in malicious downloads. Rather than enjoying a good book with a cup of coffee in the afternoon, instead they juggled with some harmful virus inside their computer.

Isuzu Diesel 4jb1 Engine Manual is available in our book collection an online access to it is set as public so you can download it instantly.

Our books collection hosts in multiple locations, allowing you to get the most less latency time to download any of our books like this one.

Merely said, the Isuzu Diesel 4jb1 Engine Manual is universally compatible with any devices to read

<http://www.armchairempire.com/About/browse/Documents/imo%20solas%20manual.pdf>

Table of Contents Isuzu Diesel 4jb1 Engine Manual

1. Understanding the eBook Isuzu Diesel 4jb1 Engine Manual
 - The Rise of Digital Reading Isuzu Diesel 4jb1 Engine Manual
 - Advantages of eBooks Over Traditional Books
2. Identifying Isuzu Diesel 4jb1 Engine Manual
 - Exploring Different Genres
 - Considering Fiction vs. Non-Fiction
 - Determining Your Reading Goals
3. Choosing the Right eBook Platform
 - Popular eBook Platforms
 - Features to Look for in an Isuzu Diesel 4jb1 Engine Manual
 - User-Friendly Interface
4. Exploring eBook Recommendations from Isuzu Diesel 4jb1 Engine Manual
 - Personalized Recommendations

- Isuzu Diesel 4jb1 Engine Manual User Reviews and Ratings
- Isuzu Diesel 4jb1 Engine Manual and Bestseller Lists
- 5. Accessing Isuzu Diesel 4jb1 Engine Manual Free and Paid eBooks
 - Isuzu Diesel 4jb1 Engine Manual Public Domain eBooks
 - Isuzu Diesel 4jb1 Engine Manual eBook Subscription Services
 - Isuzu Diesel 4jb1 Engine Manual Budget-Friendly Options
- 6. Navigating Isuzu Diesel 4jb1 Engine Manual eBook Formats
 - ePub, PDF, MOBI, and More
 - Isuzu Diesel 4jb1 Engine Manual Compatibility with Devices
 - Isuzu Diesel 4jb1 Engine Manual Enhanced eBook Features
- 7. Enhancing Your Reading Experience
 - Adjustable Fonts and Text Sizes of Isuzu Diesel 4jb1 Engine Manual
 - Highlighting and Note-Taking Isuzu Diesel 4jb1 Engine Manual
 - Interactive Elements Isuzu Diesel 4jb1 Engine Manual
- 8. Staying Engaged with Isuzu Diesel 4jb1 Engine Manual
 - Joining Online Reading Communities
 - Participating in Virtual Book Clubs
 - Following Authors and Publishers Isuzu Diesel 4jb1 Engine Manual
- 9. Balancing eBooks and Physical Books Isuzu Diesel 4jb1 Engine Manual
 - Benefits of a Digital Library
 - Creating a Diverse Reading Collection Isuzu Diesel 4jb1 Engine Manual
- 10. Overcoming Reading Challenges
 - Dealing with Digital Eye Strain
 - Minimizing Distractions
 - Managing Screen Time
- 11. Cultivating a Reading Routine Isuzu Diesel 4jb1 Engine Manual
 - Setting Reading Goals Isuzu Diesel 4jb1 Engine Manual
 - Carving Out Dedicated Reading Time
- 12. Sourcing Reliable Information of Isuzu Diesel 4jb1 Engine Manual
 - Fact-Checking eBook Content of Isuzu Diesel 4jb1 Engine Manual

- Distinguishing Credible Sources
13. Promoting Lifelong Learning
- Utilizing eBooks for Skill Development
 - Exploring Educational eBooks
14. Embracing eBook Trends
- Integration of Multimedia Elements
 - Interactive and Gamified eBooks

Isuzu Diesel 4jb1 Engine Manual Introduction

In this digital age, the convenience of accessing information at our fingertips has become a necessity. Whether its research papers, eBooks, or user manuals, PDF files have become the preferred format for sharing and reading documents. However, the cost associated with purchasing PDF files can sometimes be a barrier for many individuals and organizations. Thankfully, there are numerous websites and platforms that allow users to download free PDF files legally. In this article, we will explore some of the best platforms to download free PDFs. One of the most popular platforms to download free PDF files is Project Gutenberg. This online library offers over 60,000 free eBooks that are in the public domain. From classic literature to historical documents, Project Gutenberg provides a wide range of PDF files that can be downloaded and enjoyed on various devices. The website is user-friendly and allows users to search for specific titles or browse through different categories. Another reliable platform for downloading Isuzu Diesel 4jb1 Engine Manual free PDF files is Open Library. With its vast collection of over 1 million eBooks, Open Library has something for every reader. The website offers a seamless experience by providing options to borrow or download PDF files. Users simply need to create a free account to access this treasure trove of knowledge. Open Library also allows users to contribute by uploading and sharing their own PDF files, making it a collaborative platform for book enthusiasts. For those interested in academic resources, there are websites dedicated to providing free PDFs of research papers and scientific articles. One such website is Academia.edu, which allows researchers and scholars to share their work with a global audience. Users can download PDF files of research papers, theses, and dissertations covering a wide range of subjects. Academia.edu also provides a platform for discussions and networking within the academic community. When it comes to downloading Isuzu Diesel 4jb1 Engine Manual free PDF files of magazines, brochures, and catalogs, Issuu is a popular choice. This digital publishing platform hosts a vast collection of publications from around the world. Users can search for specific titles or explore various categories and genres. Issuu offers a seamless reading experience with its user-friendly interface and allows users to download PDF files for offline reading. Apart from dedicated platforms, search engines also play a crucial role in finding free PDF files. Google, for instance, has an advanced

search feature that allows users to filter results by file type. By specifying the file type as "PDF," users can find websites that offer free PDF downloads on a specific topic. While downloading Isuzu Diesel 4jb1 Engine Manual free PDF files is convenient, it's important to note that copyright laws must be respected. Always ensure that the PDF files you download are legally available for free. Many authors and publishers voluntarily provide free PDF versions of their work, but it's essential to be cautious and verify the authenticity of the source before downloading Isuzu Diesel 4jb1 Engine Manual. In conclusion, the internet offers numerous platforms and websites that allow users to download free PDF files legally. Whether it's classic literature, research papers, or magazines, there is something for everyone. The platforms mentioned in this article, such as Project Gutenberg, Open Library, Academia.edu, and Issuu, provide access to a vast collection of PDF files. However, users should always be cautious and verify the legality of the source before downloading Isuzu Diesel 4jb1 Engine Manual any PDF files. With these platforms, the world of PDF downloads is just a click away.

FAQs About Isuzu Diesel 4jb1 Engine Manual Books

What is a Isuzu Diesel 4jb1 Engine Manual PDF? A PDF (Portable Document Format) is a file format developed by Adobe that preserves the layout and formatting of a document, regardless of the software, hardware, or operating system used to view or print it. **How do I create a Isuzu Diesel 4jb1 Engine Manual PDF?** There are several ways to create a PDF: Use software like Adobe Acrobat, Microsoft Word, or Google Docs, which often have built-in PDF creation tools. Print to PDF: Many applications and operating systems have a "Print to PDF" option that allows you to save a document as a PDF file instead of printing it on paper. Online converters: There are various online tools that can convert different file types to PDF. **How do I edit a Isuzu Diesel 4jb1 Engine Manual PDF?** Editing a PDF can be done with software like Adobe Acrobat, which allows direct editing of text, images, and other elements within the PDF. Some free tools, like PDFescape or Smallpdf, also offer basic editing capabilities. **How do I convert a Isuzu Diesel 4jb1 Engine Manual PDF to another file format?** There are multiple ways to convert a PDF to another format: Use online converters like Smallpdf, Zamzar, or Adobe Acrobat's export feature to convert PDFs to formats like Word, Excel, JPEG, etc. Software like Adobe Acrobat, Microsoft Word, or other PDF editors may have options to export or save PDFs in different formats. **How do I password-protect a Isuzu Diesel 4jb1 Engine Manual PDF?** Most PDF editing software allows you to add password protection. In Adobe Acrobat, for instance, you can go to "File" -> "Properties" -> "Security" to set a password to restrict access or editing capabilities. Are there any free alternatives to Adobe Acrobat for working with PDFs? Yes, there are many free alternatives for working with PDFs, such as: LibreOffice: Offers PDF editing features. PDFsam: Allows splitting, merging, and editing PDFs. Foxit Reader: Provides basic PDF viewing and editing capabilities. How do I compress a PDF file? You can use online tools like Smallpdf, iLovePDF,

or desktop software like Adobe Acrobat to compress PDF files without significant quality loss. Compression reduces the file size, making it easier to share and download. Can I fill out forms in a PDF file? Yes, most PDF viewers/editors like Adobe Acrobat, Preview (on Mac), or various online tools allow you to fill out forms in PDF files by selecting text fields and entering information. Are there any restrictions when working with PDFs? Some PDFs might have restrictions set by their creator, such as password protection, editing restrictions, or print restrictions. Breaking these restrictions might require specific software or tools, which may or may not be legal depending on the circumstances and local laws.

Find Isuzu Diesel 4jb1 Engine Manual :

[imo solas manual](#)

[il regolamento di condominio il regolamento di condominio](#)

[ill walk you home how grief restored my faith](#)

[impulse pensamiento mejoramiento jumpstart spanish](#)

[improvised munitions combined with training ranges](#)

[imac user guide support apple](#)

[illinois constitution study guide for 7th grade](#)

[imp-direct manual new york](#)

[illinois state accounting jobs study guide](#)

[imperial life in the emerald city inside iraq's green zone](#)

imdg 2012 manuals

[invula security learnerships](#)

[im schatten nordgebirges die reise ebook](#)

[improved factory yamaha ovation 340 snowmobile shop manual](#)

ilf pokdison ada berapa bilik

Isuzu Diesel 4jb1 Engine Manual :

end of year exam paper cos2614 unisa studocu - May 03 2023

web inc 76pages inc3701 study guide bachelor of education unisa rrlb81 ass 3 practical 1 crop science maths literacy grade 10 assignment 2022 and memo 1 economics 5 mcq c4 practice ios2601 ass 1 cos2614 2014 10 e 1 end of year exam

download save share this is a preview do you want full access go premium and

[unisa cos2614 exam](#) - Apr 21 2022

web 2 unisa cos2614 exam 2023 10 03 acknowledgement that strategy implementation is the greatest challenge to managers in the 21st century and the greatest reason for strategy failure we decided to focus on strategy implementation rather than promoting the unrealistic idea of strategy as a purely rational and deliberate outcome this book

[cos2614 assignment 1 question 1 semester 02 2016 youtube](#) - Oct 28 2022

web aug 22 2016 this is just a simple introduction to uml diagram and the creation of the class using the qt framework as per the requirements of unisa cos2614 2016 qt gu

[cos2614 exam pack 2023 cos2614 programming](#) - Nov 28 2022

web jan 11 2023 cos2614 exam pack 2023 course cos2614 programming contemporary concepts institution university of south africa unisa this exam pack contains exam question papers memorandums summary of the course material this exam pack contains exam question papers memorandums summary of the course

cos2614 studynotesunisa - Jun 23 2022

web cos2614 mo001 contents of learning units on myunisa cos2614 102 additional notes cos2614 201 discussion of solutions to assignment 1 cos2614 202 discussion of solutions to assignment 2 this tutorial letter test it and when you are satisfied with the results implement another class in the project

cos2614 2014 10 e 1 end of year exam cos2614 unisa - Apr 02 2023

web cos2614 2014 10 e 1 end of year exam cos2614 unisa studocu end of year exam university examinations universiteitseksamens unisa lene universty of south africa cos 261 2014 rco2614 programming contemporary concepts dismisstry ask an expert

cos2614 summary unisa inf2611 qt exam revision notes - Jul 05 2023

web 101 2016 3 b 2 summary programming contemporary concepts sap mm configuration step by step cos2614 summaries with screenshots and code examples unisa inf2611 qt exam revision notes qinputdialog there are variants of the qinputdialog getinteger int

cos2614 programming contemporary concepts gimmenotes - Aug 26 2022

web cos2614 mayjune 2017 exampaper2 cos2614 2014 10 e 1 cos2614 2014 10 e1 solution cos2614 2017 10 e 1 cos2614b102 2018 2 cos2614b201 2018 1

cos2614 assignment 1 2021 answer cos2614 unisa - Jan 31 2023

web university of south africa cos2614 tl202 cos2614 tl201 cos2614 203 1 2020 final cos2614 sem01 2020 ass1 answer cos2614 b202 2019 1 discussion of solutions to assignment 2 cos2614 b201 2018 1 inf3708 assignment 02 memo 2018 diagrams for test 1 solution 2020sem2 may june 2017 answers may june 2016 question paper

[cos2614 assessment assignment 3 2023 cos2614](#) - Feb 17 2022

web jul 15 2023 university of south africa unisa cos2614 assessment assignment 3 2023 with link to the functioning applications there are 3 applications implemented bank robot application and stock control application last document update 2 months ago

diagrams for test 1 cos2614 unisa studocu - Dec 30 2022

web cos2614 b201 2018 1 cos2614 b202 2019 1 discussion of solutions to assignment 2 cos2614 assignment 2 2021 mne2601 assignment 12021 mne2601 assignment 2 2021 cos2614 assessment 1 2022 inheritance contemporary concepts in programming this should include assignment answers may june 2016 question paper may june 2017

[en 14126 koruyucu tulum testleri labaratuvar com](#) - Mar 21 2022

web en 14126 koruyucu tulum testleri tehlikeli çevre koşullarında ve zararlı maddelerle çalışırken uygun koruyucu giysi vazgeçilmezdir en 14126 koruyucu giysi enfektif ajanlara karşı koruyucu giysi için performans gereksinimleri ve test yöntemleri ürün standardı bir giysinin bulaşıcı hastalıklara karşı gerekli korumayı sağlayıp sağlamadığını

cos2614 unisa programming contemporary concepts - Oct 08 2023

web cos2614 unisa programming contemporary concepts studocu programming contemporary concepts cos2614 university of south africa programming contemporary concepts follow this course documents 113 questions 0 students 229 lecture notes date rating year ratings show 8 more documents show all 16

cos2614 exam pack 2021 cos2614 programming - Sep 07 2023

web aug 27 2021 cos2614 exam pack 2021 course cos2614 programming contemporary concepts cos2614 institution university of south africa unisa book contemporary high performance computing cos2614 exam pack 2021 this exam pack contains exam question papers memorandums summary of the course material

programming contemporary concepts cos2614 unisa ac za - Aug 06 2023

web under graduate degree year module nqf level 6 credits 12 module presented in english module presented online pre requisite cos1511 and cos1512 purpose to enable students to understand and apply the principles of object orientated programming inheritance encapsulation abstraction and polymorphism

osprey forums cos2614 - Sep 26 2022

web cos2614 programming contemporary concepts announcements last post soc curricula 09 30 2017 01 08pm demarcation or scoping of examinations and assessment 02 13 2017 07 59am school of computing short learning programmes

[cos2614 made easy university of south africa](#) - May 23 2022

web demarcation or scoping of examinations and assessment 02 13 2017 07 59am school of computing short learning programmes 11 24 2014 08 37am unisa contact information 07 28 2011 01 28pm forums messages new zakesman cos2614

made easy cos2614 made easy february 17 2014 09 43pm admin registered 11 years ago

cos2614 2021 course guidelines and assignments studocu - Mar 01 2023

web cos2614 mo001 3 tutorial letter mo001 3 programming contemporary concepts cos 2614 semesters 1 and 2 school of computing important information this tutorial letter contains important information about your module please activate your my unisa account and your my life email address and ensure that you have regular access to the

study notes cos2614 programming contemporary concepts - Jun 04 2023

web cos2614 programming contemporary concepts cos2614 here are the best resources to pass cos2614 at university of south africa unisa find cos2614 study guides notes assignments and much more

cos2614 gimmenotes - Jul 25 2022

web additional resources of cos2614 on myunisa a separate folder is created for each question test them note the following about the code the copy constructor of gpscoord is implemented to provide deep copies of the coordinate objects pointed to by latitude and longitude the destructor of gpscoord deletes the coordinate objects

[pra c cis de grammaire pour les concours 5e a c d pdf](#) - Mar 20 2022

web table des matières la methode d étudier et d enseigner the british museum catalogue of printed books 1881 1900 bedford to biblaridius the monthly literary advertiser

pra c cis de grammaire pour les concours 5e a c d pdf - May 02 2023

web this is likewise one of the factors by obtaining the soft documents of this pra c cis de grammaire pour les concours 5e a c d by online you might not require more times

pra c cis de grammaire pour les concours 5e a c d 2022 - Aug 25 2022

web currently this pra c cis de grammaire pour les concours 5e a c d as one of the most full of life sellers here will categorically be among the best options to review pra c cis

[pra c cis de grammaire pour les concours 5e a c d pdf](#) - Dec 17 2021

web pra c cis de grammaire pour les concours 5e a c d web24 feb 2023 pra c cis de grammaire pour les concours 5e a c d can be taken as skillfully as picked to act

la grammaire par les exercices 5e Éd 2021 Éditions bordas - Jan 30 2023

web le site propose des ressources à télécharger pour l enseignant schémas leçons corrigés et exercices sur les thèmes abordés en français pour la classe de 5e étudier et

pra c cis de grammaire pour les concours 5e a c d 2022 - Jun 22 2022

web pra c cis de grammaire pour les concours 5e a c d 1 pra c cis de grammaire pour les concours 5e a c d downloaded from store spiralny com by guest lewis

pra c cis de grammaire pour les concours 5e a c d - Jul 04 2023

web dictionnaire de la langue française contenant la nomenclature la grammaire la signification des mots la partie historique l'étymologie par É littré pra c cis de

prépositions exercices corrigés grammaire 5eme primaire - Apr 20 2022

web exercices en ligne 5eme primaire exercices à imprimer prépositions 1 dans le texte suivant souligne les prépositions 2 retrouve dans chaque phrase la préposition et

ВПР Проверочная - Feb 16 2022

web ВПР Русский язык 5 класс Образец Код 2022 Федеральная служба по надзору в сфере

pra c cis de grammaire pour les concours 5e a c d pdf - Jun 03 2023

web may 6 2023 webpra c cis de grammaire pour les concours un demi siecle de grammaire pour l'enseignement du français en espagne 1800 1850 jan 19 2022 el

grammaire Étude de la langue 5ème pdf à imprimer - Dec 29 2022

web séquence complète en grammaire pour la 5ème sur les formes du discours cours en grammaire pour la 5ème sur les formes du discours la forme du discours que ce

pra c cis de grammaire pour les concours 5e a c d luciano - Feb 28 2023

web may 15 2023 pra c cis de grammaire pour les concours 5e a c d when people should go to the book stores search start by shop shelf by shelf it is in point of fact

pra c cis de grammaire pour les concours 5e a c d pdf - Aug 05 2023

web apr 10 2023 as this pra c cis de grammaire pour les concours 5e a c d it ends up brute one of the favored books pra c cis de grammaire pour les concours 5e a c d

pra c cis de grammaire pour les concours 5e a c d pdf - Nov 27 2022

web apr 14 2023 pra c cis de grammaire pour les concours 5e a c d 2 4 downloaded from uniport edu ng on april 14 2023 by guest orientalism edward w said 2016 10 25 a

pra c cis de grammaire pour les concours 5e a c d - Sep 06 2023

web pra c cis de grammaire pour les concours 5e a c d dictionnaire de la langue française contenant grammaire et littérature dédiée et présentée à monsieur le

pra c cis de grammaire pour les concours 5e a c d pdf - Sep 25 2022

web apr 16 2023 pra c cis de grammaire pour les concours 5e a c d 1 3 downloaded from uniport edu ng on april 16 2023 by guest pra c cis de grammaire pour les

pra c cis de grammaire pour les concours 5e a c d peter - Jul 24 2022

web getting the books pra c cis de grammaire pour les concours 5e a c d now is not type of inspiring means you could not only going considering book gathering or library or

pra c cis de grammaire pour les concours 5e a c d pdf - Oct 27 2022

web pra c cis de grammaire pour les concours 5e a c d recognizing the pretentiousness ways to acquire this book pra c cis de grammaire pour les concours 5e a c d is

pra c cis de grammaire pour les concours 5e a c d pdf - Nov 15 2021

web pra c cis de grammaire pour les concours 5e a c d 1 pra c cis de grammaire pour les concours 5e a c d when people should go to the book stores search start by

pra c cis de grammaire pour les concours 5e a c d 2023 wp - May 22 2022

web de grammaire pour les concours 5e a c d a literary masterpiece penned by way of a renowned author readers set about a transformative journey unlocking the secrets and

exercices de conjugaison 5ème le présent de l indicatif ortholud - Jan 18 2022

web présent de l indicatif 5ème avec des textes mots mêlés présent de l indicatif synonymes jeux et exercices de conjugaison 5ème avec des textes ou des phrases au présent de

pra c cis de grammaire pour les concours 5e a c d oliver optic - Apr 01 2023

web and install the pra c cis de grammaire pour les concours 5e a c d it is categorically simple then past currently we extend the partner to buy and create bargains to download

pra c cis de grammaire pour les concours 5e a c d - Oct 07 2023

web pra c cis de grammaire pour les concours 5e a c d downloaded from old syndeohro com by guest ava quentin dictionnaire francois alleman latin

guide de la ga c ologie en france full pdf zapmap nissan co - Apr 17 2023

web bibliotheca londinensis guide to official publications of foreign countries butterflies of north carolina south carolina and georgia guide de la ga c ologie en france

guide de la ga c ologie en france pdf zapmap nissan co - Feb 15 2023

web guide de la ga c ologie en france 3 see sites plus street by street maps of all major cities and towns dk eyewitness seville andalusia explores the rich layers of culture

guide de la ga c ologie en france download only - Feb 03 2022

web guide de la ga c ologie en france catalogue of the london library catalogue of the library of the boston athenæum the publishers trade list annual journal of the royal

guide de la ga c ologie en france 2022 zapmap nissan co - Jun 19 2023

web guide de la ga c ologie en france guide to official publications of foreign countries subject index of the modern works added to the library of the british museum in the

[guide de la ga c ologie en france copy](#) - Oct 11 2022

web guide de la ga c ologie en france 1 guide de la ga c ologie en france additions to the rhaeto romantic collection butterflies of north carolina south carolina and

guide de la ga c ologie en france pdf neurocme med ucla - May 18 2023

web 2 guide de la ga c ologie en france 2020 06 02 which to address the physics underlying many of the techniques used in protein isolation i have tried to strike a level as would be

[introduction a la ga c ologie 5e a c dition la dy 2022](#) - Jan 14 2023

web introduction a la ga c ologie 5e a c dition la dy and collections to check out we additionally offer variant types and after that type of the books to browse the good

patoloji laboratuvar teknikleri dgs geiş blmleri - Apr 05 2022

web dec 26 2020 biyoloji biyomhendislik biyoteknoloji biyoteknoloji ve molekler biyoloji genetik ve biyomhendislik hemirelik hemirelik ve saėlık hizmetleri molekler

guide de la ga c ologie en france - Aug 09 2022

web guide de la ga c ologie en france guide to official publications of foreign countries subject index of the modern works added to the library of the british museum in the

guide de la ga c ologie en france download only checkin - Jul 08 2022

web guide de la ga c ologie en france 3 3 color photography illustrations and detailed maps discover andalusia area by area from the flamboyant nightlife of seville to the

guide de la ga c ologie en france pdf zapmap nissan co - May 06 2022

web guide de la ga c ologie en france downloaded from zapmap nissan co uk by guest ashley kennedi the library bulletin of cornell university copyright office library of

[guide de la ga c ologie en france copy](#) - Mar 04 2022

web written by georgia civil war commission staff members brown and elwell this full color edition is an updated and expanded version of the guide released by the state of

[patoloji laboratuvar teknikleri mezunları dgs ile hangi](#) - Dec 13 2022

web patoloji laboratuvar teknikleri mezunu olarak adayların dgs ile geiş yapabildiėi patoloji laboratuvar teknikleri dgs blmleri Őunlardır biyoloji biyomhendislik biyoteknoloji

aėrı tedavisi algoloji anadolu saėlık merkezi - Nov 12 2022

web algoloji ağrı tedavisi bölümü her türlü kronik ağrının yanı sıra sebebi bulunamayan şiddetli ağrıların tanı ve tedavisiyle uğraşan bir bilim dalıdır genellikle kanser ağrıları nevraljiler

l argent ga c ologie ma c tallurgie role a conomique - Aug 21 2023

web l argent ga c ologie ma c tallurgie role a conomique propria c ta c s physiques et chimiques dosage ga c ologie minerals gisements ma c tallurgie proca c da

ga c ologie pratique et petit dictionnaire technique des - Sep 22 2023

web ga c ologie pratique et petit dictionnaire technique des termes ga c ologiques les plus usuels applications de la ga c ologie a l art de l inga c nieur a l agriculture a la

guide de la ga c ologie en france copy zapmap nissan co - Jun 07 2022

web guide de la ga c ologie en france 3 3 budgets you ll find 3d cutaways and floorplans of all the must see sites plus street by street maps of all major cities and towns dk

laboratuvar teknolojisi dgs geçiş bölümleri - Oct 31 2021

web sep 26 2020 laboratuvar teknolojisi bölümü dikey geçiş bölümleri ve ya laboratuvar teknolojisi bölümü dgs geçiş bölümleri şunlardır biyoloji moleküler biyoloji ve

guide de la ga c ologie en france 2022 yes4minneapolis - Dec 01 2021

web guide de la ga c ologie en france downloaded from yes4minneapolis org by guest brody george the statesman s year book penguin the rough guide to the

guide de la ga c ologie en france zapmap nissan co - Jul 20 2023

web guide de la ga c ologie en france downloaded from zapmap nissan co uk by guest huerta lopez velasquez bod books on demand the georgia humanities council

guide de la ga c ologie en france pdf zapmap nissan co - Sep 10 2022

web 2 guide de la ga c ologie en france 2021 12 13 the annual american catalogue rough guides uk butterflies of north carolina south carolina and georgia a guide to

guide de la ga c ologie en france copy ncf ec2 west - Jan 02 2022

web guide de la ga c ologie en france downloaded from ncf ec2 west 02 xconvert com by guest marisol richardson subject index of the modern works added to the library

guide de la ga c ologie en france pdf zapmap nissan co - Mar 16 2023

web 2 guide de la ga c ologie en france 2022 05 18 on the sockets api the de facto standard for writing network applications in any programming language starting with