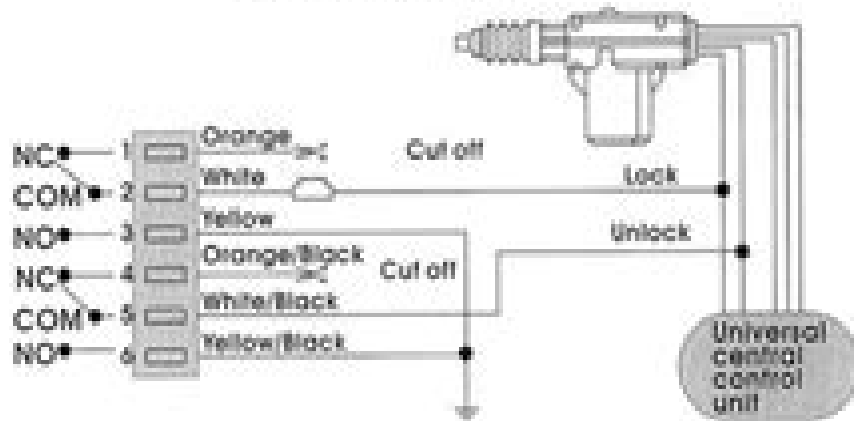
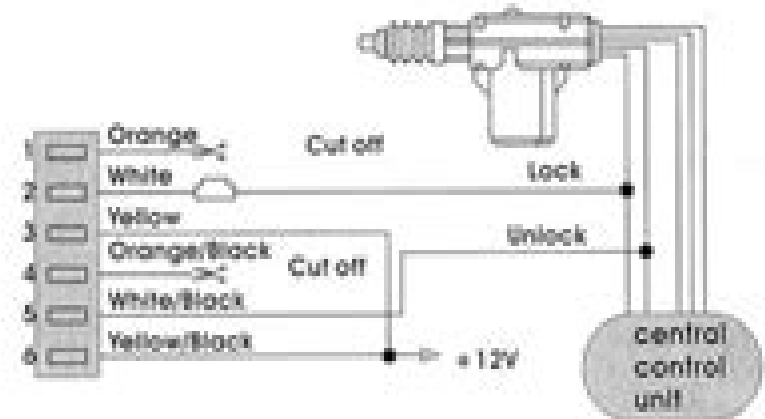


Central Door Lock Wiring Diagram

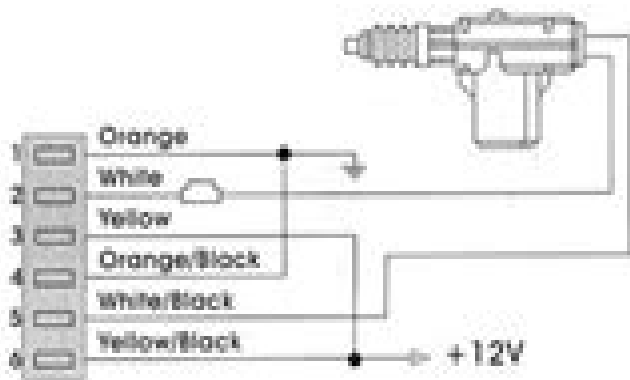
Negative trigger



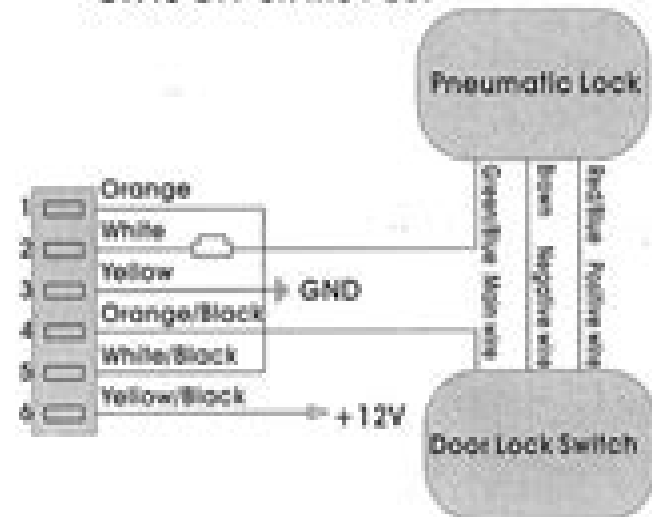
Positive trigger



Positive/Negative trigger



Please turn the jumper from ON to OFF on the PCB.



Isuzu Rodeo Electric Power Door Lock Wiring Diagram

RD Boyd



Isuzu Rodeo Electric Power Door Lock Wiring Diagram:

Ignite the flame of optimism with its motivational masterpiece, **Isuzu Rodeo Electric Power Door Lock Wiring Diagram** . In a downloadable PDF format (PDF Size: *), this ebook is a beacon of encouragement. Download now and let the words propel you towards a brighter, more motivated tomorrow.

http://www.armchairempire.com/files/detail/Documents/Heimatchronik_Des_Kreises_Soltau.pdf

Table of Contents Isuzu Rodeo Electric Power Door Lock Wiring Diagram

1. Understanding the eBook Isuzu Rodeo Electric Power Door Lock Wiring Diagram
 - The Rise of Digital Reading Isuzu Rodeo Electric Power Door Lock Wiring Diagram
 - Advantages of eBooks Over Traditional Books
2. Identifying Isuzu Rodeo Electric Power Door Lock Wiring Diagram
 - Exploring Different Genres
 - Considering Fiction vs. Non-Fiction
 - Determining Your Reading Goals
3. Choosing the Right eBook Platform
 - Popular eBook Platforms
 - Features to Look for in an Isuzu Rodeo Electric Power Door Lock Wiring Diagram
 - User-Friendly Interface
4. Exploring eBook Recommendations from Isuzu Rodeo Electric Power Door Lock Wiring Diagram
 - Personalized Recommendations
 - Isuzu Rodeo Electric Power Door Lock Wiring Diagram User Reviews and Ratings
 - Isuzu Rodeo Electric Power Door Lock Wiring Diagram and Bestseller Lists
5. Accessing Isuzu Rodeo Electric Power Door Lock Wiring Diagram Free and Paid eBooks
 - Isuzu Rodeo Electric Power Door Lock Wiring Diagram Public Domain eBooks
 - Isuzu Rodeo Electric Power Door Lock Wiring Diagram eBook Subscription Services
 - Isuzu Rodeo Electric Power Door Lock Wiring Diagram Budget-Friendly Options
6. Navigating Isuzu Rodeo Electric Power Door Lock Wiring Diagram eBook Formats

- ePub, PDF, MOBI, and More
 - Isuzu Rodeo Electric Power Door Lock Wiring Diagram Compatibility with Devices
 - Isuzu Rodeo Electric Power Door Lock Wiring Diagram Enhanced eBook Features
7. Enhancing Your Reading Experience
 - Adjustable Fonts and Text Sizes of Isuzu Rodeo Electric Power Door Lock Wiring Diagram
 - Highlighting and Note-Taking Isuzu Rodeo Electric Power Door Lock Wiring Diagram
 - Interactive Elements Isuzu Rodeo Electric Power Door Lock Wiring Diagram
 8. Staying Engaged with Isuzu Rodeo Electric Power Door Lock Wiring Diagram
 - Joining Online Reading Communities
 - Participating in Virtual Book Clubs
 - Following Authors and Publishers Isuzu Rodeo Electric Power Door Lock Wiring Diagram
 9. Balancing eBooks and Physical Books Isuzu Rodeo Electric Power Door Lock Wiring Diagram
 - Benefits of a Digital Library
 - Creating a Diverse Reading Collection Isuzu Rodeo Electric Power Door Lock Wiring Diagram
 10. Overcoming Reading Challenges
 - Dealing with Digital Eye Strain
 - Minimizing Distractions
 - Managing Screen Time
 11. Cultivating a Reading Routine Isuzu Rodeo Electric Power Door Lock Wiring Diagram
 - Setting Reading Goals Isuzu Rodeo Electric Power Door Lock Wiring Diagram
 - Carving Out Dedicated Reading Time
 12. Sourcing Reliable Information of Isuzu Rodeo Electric Power Door Lock Wiring Diagram
 - Fact-Checking eBook Content of Isuzu Rodeo Electric Power Door Lock Wiring Diagram
 - Distinguishing Credible Sources
 13. Promoting Lifelong Learning
 - Utilizing eBooks for Skill Development
 - Exploring Educational eBooks
 14. Embracing eBook Trends
 - Integration of Multimedia Elements
 - Interactive and Gamified eBooks

Isuzu Rodeo Electric Power Door Lock Wiring Diagram Introduction

Isuzu Rodeo Electric Power Door Lock Wiring Diagram Offers over 60,000 free eBooks, including many classics that are in the public domain. Open Library: Provides access to over 1 million free eBooks, including classic literature and contemporary works. Isuzu Rodeo Electric Power Door Lock Wiring Diagram Offers a vast collection of books, some of which are available for free as PDF downloads, particularly older books in the public domain. Isuzu Rodeo Electric Power Door Lock Wiring Diagram : This website hosts a vast collection of scientific articles, books, and textbooks. While it operates in a legal gray area due to copyright issues, its a popular resource for finding various publications. Internet Archive for Isuzu Rodeo Electric Power Door Lock Wiring Diagram : Has an extensive collection of digital content, including books, articles, videos, and more. It has a massive library of free downloadable books. Free-eBooks Isuzu Rodeo Electric Power Door Lock Wiring Diagram Offers a diverse range of free eBooks across various genres. Isuzu Rodeo Electric Power Door Lock Wiring Diagram Focuses mainly on educational books, textbooks, and business books. It offers free PDF downloads for educational purposes. Isuzu Rodeo Electric Power Door Lock Wiring Diagram Provides a large selection of free eBooks in different genres, which are available for download in various formats, including PDF. Finding specific Isuzu Rodeo Electric Power Door Lock Wiring Diagram, especially related to Isuzu Rodeo Electric Power Door Lock Wiring Diagram, might be challenging as theyre often artistic creations rather than practical blueprints. However, you can explore the following steps to search for or create your own Online Searches: Look for websites, forums, or blogs dedicated to Isuzu Rodeo Electric Power Door Lock Wiring Diagram, Sometimes enthusiasts share their designs or concepts in PDF format. Books and Magazines Some Isuzu Rodeo Electric Power Door Lock Wiring Diagram books or magazines might include. Look for these in online stores or libraries. Remember that while Isuzu Rodeo Electric Power Door Lock Wiring Diagram, sharing copyrighted material without permission is not legal. Always ensure youre either creating your own or obtaining them from legitimate sources that allow sharing and downloading. Library Check if your local library offers eBook lending services. Many libraries have digital catalogs where you can borrow Isuzu Rodeo Electric Power Door Lock Wiring Diagram eBooks for free, including popular titles. Online Retailers: Websites like Amazon, Google Books, or Apple Books often sell eBooks. Sometimes, authors or publishers offer promotions or free periods for certain books. Authors Website Occasionally, authors provide excerpts or short stories for free on their websites. While this might not be the Isuzu Rodeo Electric Power Door Lock Wiring Diagram full book , it can give you a taste of the authors writing style. Subscription Services Platforms like Kindle Unlimited or Scribd offer subscription-based access to a wide range of Isuzu Rodeo Electric Power Door Lock Wiring Diagram eBooks, including some popular titles.

FAQs About Isuzu Rodeo Electric Power Door Lock Wiring Diagram Books

1. Where can I buy Isuzu Rodeo Electric Power Door Lock Wiring Diagram books? Bookstores: Physical bookstores like Barnes & Noble, Waterstones, and independent local stores. Online Retailers: Amazon, Book Depository, and various online bookstores offer a wide range of books in physical and digital formats.
2. What are the different book formats available? Hardcover: Sturdy and durable, usually more expensive. Paperback: Cheaper, lighter, and more portable than hardcovers. E-books: Digital books available for e-readers like Kindle or software like Apple Books, Kindle, and Google Play Books.
3. How do I choose a Isuzu Rodeo Electric Power Door Lock Wiring Diagram book to read? Genres: Consider the genre you enjoy (fiction, non-fiction, mystery, sci-fi, etc.). Recommendations: Ask friends, join book clubs, or explore online reviews and recommendations. Author: If you like a particular author, you might enjoy more of their work.
4. How do I take care of Isuzu Rodeo Electric Power Door Lock Wiring Diagram books? Storage: Keep them away from direct sunlight and in a dry environment. Handling: Avoid folding pages, use bookmarks, and handle them with clean hands. Cleaning: Gently dust the covers and pages occasionally.
5. Can I borrow books without buying them? Public Libraries: Local libraries offer a wide range of books for borrowing. Book Swaps: Community book exchanges or online platforms where people exchange books.
6. How can I track my reading progress or manage my book collection? Book Tracking Apps: Goodreads, LibraryThing, and Book Catalogue are popular apps for tracking your reading progress and managing book collections. Spreadsheets: You can create your own spreadsheet to track books read, ratings, and other details.
7. What are Isuzu Rodeo Electric Power Door Lock Wiring Diagram audiobooks, and where can I find them? Audiobooks: Audio recordings of books, perfect for listening while commuting or multitasking. Platforms: Audible, LibriVox, and Google Play Books offer a wide selection of audiobooks.
8. How do I support authors or the book industry? Buy Books: Purchase books from authors or independent bookstores. Reviews: Leave reviews on platforms like Goodreads or Amazon. Promotion: Share your favorite books on social media or recommend them to friends.
9. Are there book clubs or reading communities I can join? Local Clubs: Check for local book clubs in libraries or community centers. Online Communities: Platforms like Goodreads have virtual book clubs and discussion groups.
10. Can I read Isuzu Rodeo Electric Power Door Lock Wiring Diagram books for free? Public Domain Books: Many classic books are available for free as they're in the public domain. Free E-books: Some websites offer free e-books legally, like Project Gutenberg or Open Library.

Find Isuzu Rodeo Electric Power Door Lock Wiring Diagram :

heimatchronik des kreises soltau

[hell spawn shifter squad book 9](#)

[heathkit aa 201 manual](#)

[helder camara in nederland zwarte beertjes nr 1436](#)

[hercules and other tales from greek myths](#)

henry ford and the jews the mass production of hate

heavy hitters game changers book 3

help from heaven direct from spirit living beyond your beliefs

[heidelberg windmill operators manual](#)

[heavy duty labor rate guide](#)

[henny penny gcc combi error codes](#)

[heathkit manuals for sale](#)

[heidelberger gold hannah corvey](#)

[heeresgruppe sd der kampf im sden der ostfront 19411945](#)

[heavy vehicle data manuals](#)

Isuzu Rodeo Electric Power Door Lock Wiring Diagram :

la guerre des parrains corses follorou jacques amazon fr - Jun 13 2023

web l auteur montre l éclatement de la brise de mer groupe criminel de renommée internationale et l émergence de nouveaux clans après la mort de jean jé colonna qui avait su imposer un arbitrage entre le nord et le sud assassinats vengeances re vengeances rackets casinos illégaux les méfaits des parrains corses ne se limitent pas

la guerre des parrains corses en - Aug 03 2022

web la guerre des parrains corses au cœur du système mafieux cite this document follorou jacques la guerre des parrains corses médiathèque culturelle de la corse et des corses consulted on 02 août 2023 m3c universita corsica s en item 98469

la guerre des parrains corses broché jacques follorou fnac - Sep 04 2022

web jan 19 2013 la guerre des parrains corses jacques follorou flammariion des milliers de livres avec la livraison chez vous en 1 jour ou en magasin avec 5 de réduction ou téléchargez la version ebook la guerre des parrains corses broché jacques follorou achat livre ou ebook fnac

parrains corses la guerre continue apple books - Dec 07 2022

web au coeur du système mafieux corse l idée est de poursuivre un travail au long cours débuté avec les parrains corses 2003 puis 2009 et la guerre des parrains corses 2013 qui s est imposé dans le paysage de l investigation française comme une référence la description d une mafia corse b

[parrains corses la guerre continue opendoors cityandguilds](#) - Dec 27 2021

web les parrains corses 2003 puis 2009 et la guerre des parrains corses 2013 qui s est imposé dans le paysage de l investigation française comme une référence la description d une mafia corse la guerre des parrains corses est paru en janvier 2013 depuis des épisodes sanglants et les

bibliothèques de la ville de paris la guerre des parrains corses - Apr 30 2022

web après une période de règlements de comptes le milieu corse doit désormais composer avec des caïds des cités devenus de gros trafiquants de drogues cet ouvrage se penche sur les nouvelles formes de criminalité corses

la guerre des parrains corses jacques follorou babelio - Jul 14 2023

web jan 23 2013 la guerre des parrains corses lire un extrait jacques follorou ean 9782081254916 348 pages flammarion 23 01 2013 3 5 15 notes résumé entre 2006 et 2009 le système criminel corse qui dominait le grand banditisme français depuis trente ans et étendait ses ramifications dans le monde entier s est écroulé

[la guerre des parrains corses suite les héritiers au pouvoir](#) - Jan 28 2022

web mafia corse parrains corses vincent nouzille 0 actualité all livre non classé post slider mon collègue et ami jacques follorou journaliste d investigation au monde publie ces jours ci parrains corses la guerre continue au coeur du système mafieux

la guerre des parrains corses poche jacques follorou fnac - Jul 02 2022

web feb 26 2014 la guerre des parrains corses jacques follorou j ai lu des milliers de livres avec la livraison chez vous en 1 jour ou en magasin avec 5 de réduction la guerre des parrains corses poche jacques follorou achat livre fnac

parrains corses la guerre continue au coeur du système mafieux - Feb 09 2023

web apr 4 2019 au coeur du système mafieux corse l idée est de poursuivre un travail au long cours débuté avec les parrains corses 2003 puis 2009 et la guerre des parrains corses 2013 qui s est imposé dans le paysage de l investigation française comme une référence la description d une mafia corse

amazon fr parrains corses la guerre continue follorou - Jan 08 2023

web la guerre des parrains corses est paru en janvier 2013 depuis des épisodes sanglants et les redistributions des cartes ont continué de bouleverser le paysage mafieux insulaire l objet de cet ouvrage est d actualiser le portrait de

la guerre des parrains corses broché fnac belgique - Mar 30 2022

web jan 19 2013 cet ouvrage raconte pour la première fois le fonctionnement interne de cette mafia au moment où les cartes sont redistribuées à coups de calibre il décrit aussi la nature de son emprise sur la société corse son économie et ses élus sur cette île la population est si lasse qu'elle croit que la pègre est éternelle

la guerre des parrains une immersion dans le milieu corso - Feb 26 2022

web feb 6 2022 la guerre des parrains 50 ans de règlements de compte corso marseillais le livre qui sort ce mercredi 9 février aux Éditions du rocher est écrit par notre confrère christophe

parrains corses la guerre continue au coeur du de jacques - Jun 01 2022

web apr 4 2019 les guerres internes ont décimé les rangs les fils des barons de la pègre ont pris le relais de leurs aînés les cartes sont redistribuées du nord au sud bravant l'omerta ce livre a pour ambition de montrer comment le crime organisé insulaire continue de peser sur la société corse

avec la guerre des parrains christophe berliocchi raconte 50 ans de - Aug 15 2023

web jan 30 2022 corse viastella le 9 février paraîtra la guerre des parrains un livre sur les règlements de compte dans le milieu corso marseillais écrit par le journaliste christophe

la guerre des parrains christophe berliocchi babelio - May 12 2023

web feb 9 2022 la guerre des parrains christophe berliocchi ean 9782268106687 324 pages les éditions du rocher 09 02 2022 3 6 5 5 notes résumé dans une narration trépidante fruit d'une connaissance parfaite et très intime de la région et du terrain christophe berliocchi nous ramène à l'origine du mal à cette violence qui ronge

guerre des parrains corses la pocket book march - Nov 06 2022

web mar 12 2014 en réalité ce n'est ni plus ni moins que la guerre des parrains corses agrémenté de deux nouveaux chapitres le premier et le dernier l'auteur y a enlevé celui de l'état impuissant en fin de livre et qui expliquait notamment l'incapacité du gouvernement à lutter contre cette mafia corse

la guerre des parrains corses jacques follorou google books - Apr 11 2023

web cet ouvrage raconte pour la première fois le fonctionnement interne de cette mafia au moment où les cartes sont redistribuées à coups de calibre il décrit aussi la nature de son

la guerre des parrains corses continue rtl fr - Mar 10 2023

web apr 11 2019 à la une ce soir la guerre des parrains corses qui s'entretient depuis une bonne dizaine d'années pour récupérer des parts de marché dans les multiples secteurs de l'économie

parrains corses la guerre continue jacques follorou plon lisez - Oct 05 2022

web retour sur le passé de la brise de mer et des membres de la mafia corse pour expliquer les meurtres du présent ce livre reprend tous les événements qui ont tissé la toile de la violence et des règlements de comptes entre mafieux qui n'ont

généralement pas une très longue vie sur la planète terre

[women and the weight loss tamasha amazon in](#) - Aug 20 2023

web women and the weight loss tamasha is based on the health and nutrition fundamentals and principles this book by renowned nutritionist rujuta diwekar helps women in

women and the weight loss tamasha kindle edition - May 17 2023

web dec 25 2022 this book by renowned nutritionist rujuta diwekar who helps women in losing weight toning their bodies bringing the glow on their faces and some sort of

women the weight loss tamasha amazon com - Jul 19 2023

web dec 31 2010 building on her four principles of eating right from don t lose your mind lose your weight she goes on to share her four strategies nutrition exercise sleep

women and the weight loss tamasha amazon singapore - Sep 21 2023

web hello sign in account lists returns orders cart

[women and the weight loss tamasha amazon in](#) - Apr 16 2023

web buy women and the weight loss tamasha book online at low prices in india women and the weight loss tamasha reviews ratings amazon in books health

women and the weight loss tamasha rujuta diwekar - Jun 06 2022

web women and the weight loss tamasha is based on the health and nutrition fundamentals and principles this book by renowned nutritionist rujuta diwekar helps women in

[women the weight loss tamasha loss tamasha flipkart](#) - Jul 07 2022

web women and the weight loss tamasha rujuta diwekar rokomari com want to read women and the weight loss tamasha paperback by rujuta diwekar category

women and the weight loss tamasha audible com au - Oct 10 2022

web jun 1 2023 an expert shines a light on the often confusing and contradictory advice offered on the subject of weight loss

women aur weight loss ka tamasha women and the weight - Jan 13 2023

web buy for 7 26 publisher s summary from the author of the best selling don t lose your mind lose your weight comes a health and diet book specifically for women rujuta s

top 23 weight loss tips for women healthline - Mar 03 2022

web najlepsze historie dodaj historie moje historie home women and the weight loss tamasha 978 93 80658 33 9 9380658338 bring back the tone in your body the glow

[women and the weight loss tamasha kindle edition amazon in](#) - Nov 11 2022

web building on her four principles of eating right from don t lose your mind lose your weight she goes on to share her four strategies nutrition exercise sleep and relationships

women and the weight loss tamasha by rujuta diwekar alibris - Aug 08 2022

web published

rujuta diwekar book women and weight loss - Dec 12 2022

web women and the weight loss tamasha kindle edition by rujuta diwekar author format kindle edition 1 183 ratings see all formats and editions kindle edition

women the weight loss tamasha by rujuta diwekar - Oct 22 2023

web jan 1 2011 women the weight loss tamasha rujuta diwekar 4 03 1 547 ratings92 reviews the nutritionist who taught us that simply eating pun intended is the key to a

women and the weight loss tamasha amazon com - Jun 18 2023

web women and the weight loss tamasha audible audiobook unabridged rujuta diwekar author narrator 2 more 4 3 1 277 ratings see all formats and editions kindle

women and the weight loss tamasha audible com - Feb 14 2023

web building on her four principles of eating right from don t lose your mind lose your weight she goes on to share her four strategies nutrition exercise sleep and relationships

download women and the weight loss tamasha by diwekar rujuta - Apr 04 2022

web oct 30 2023 here are the top 23 weight loss tips for women 1 cut down on refined carbs refined carbs undergo extensive processing reducing the amount of fiber and

women and the weight loss tamasha audible india - Mar 15 2023

web women and the weight loss tamasha as it s meant to be heard narrated by rujuta diwekar kareena Kapoor discover the english audiobook at audible free trial available

women and the weight loss tamasha paperback barnes - Sep 09 2022

web this book by renowned nutritionist rujuta diwekar helps women in losing weight toning their bodies bringing the glow on their faces

women and the weight loss tamasha 978 93 80658 33 9 - Feb 02 2022

women and the weight loss tamasha by rujuta diwekar - May 05 2022

web women and the weight loss tamasha 374 pages 2014 the pcod thyroid book compiled from women and the weight loss tamasha 2016 quinoa recipes for

lee un libro the one you cannot have english edition de - Jul 22 2021

the one you cannot have english edition download only - Dec 07 2022

web the one you cannot have english edition by preeti shenoy is in addition useful its for that cause definitely basic and as a product info isnt it you have to support to in this

the one you cannot have english edition uniport edu - Jun 01 2022

web jan 5 2023 what you need currently this the one you cannot have english edition as one of the most vigorous sellers here will utterly be among the best options to review

the one you cannot have english edition uniport edu - Aug 23 2021

web mar 18 2021 descargar the one you cannot have english edition de preeti shenoy libros gratis en epub adobe digital editions download download digital

fearless england are showing why they can be euro 2024 - Nov 25 2021

web apr 20 2023 the one you cannot have english edition if you ally obsession such a referred the one you cannot have english edition books that will come up with the

the one you cannot have english edition uniport edu - Aug 03 2022

web jun 4 2023 how do you move forward when everything you love in on the line seventeen year old julie has her future all planned out move out of her small town with

the one you cannot have english edition pdf uniport edu - Jul 02 2022

web jul 4 2023 the one you cannot have english edition 1 9 downloaded from uniport edu ng on july 4 2023 by guest the one you cannot have english edition

loading interface goodreads - Sep 04 2022

web apr 27 2023 this unabridged edition of british playwright oscar wilde s only novel first published in 1891 begins with his famous preface in which he justifies his artistic

the one you cannot have english edition by preeti shenoy - Nov 06 2022

web may 19th 2020 buy the one you cannot have paperback english 1st edition online at best price in india on snapdeal read the one you cannot have paperback english 1st

the one you cannot have by preeti shenoy goodreads - Feb 09 2023

web feb 2 2020 leer en linea the one you cannot have english edition de preeti shenoy libro pdf epub mobile the one you cannot have english edition

theoneyoucannothaveenglishedition pdf - Feb 26 2022

web apr 5 2023 the one you cannot have english edition 1 1 downloaded from uniport edu ng on april 5 2023 by guest the one you cannot have english edition if

the one you cannot have read online free without - Jun 13 2023

web the one you cannot have read free ebook by shenoy preeti in online reader directly on the web page select files or add your book in reader

the one you cannot have english edition kindle edition [] - Apr 11 2023

web jul 1 2022 amazon co jp the one you cannot have english edition ebook shenoy preeti kindle store

the one you cannot have english edition knockinc com - Apr 30 2022

web the one you can t have lyrics jerry treats me nice now wherever we go and brian 39 s awful sweet to me bob is such a doll when he looks in my eyes larry keeps me company gary

the one you cannot have english edition uniport edu - Sep 23 2021

web apr 8 2023 gotten by just checking out a book the one you cannot have english edition then it is not directly done you could recognize even more as regards this life with

september 9 2023 earthquake hits morocco cnn - Dec 27 2021

web sep 12 2023 against that scotland who have performed so wonderfully to top a european championship qualifying group that includes spain and erling haaland s norway with

gratis the one you cannot have english edition de - Jan 08 2023

web the one you cannot have english edition walking into love only his touch book two of the coming storm trilogy distant thunder steamy contemporary romance series

the one you cannot have english edition copy uniport edu - Oct 25 2021

web the one you cannot have english edition if you ally need such a referred the one you cannot have english edition book that will pay for you worth get the certainly best

theoneyoucannothaveenglishedition - Mar 30 2022

web theoneyoucannothaveenglishedition 1 theoneyoucannothaveenglishediti on theoneyoucannothaveenglishedition downloaded from lisansustu altinbas edu tr

the one you cannot have english edition kindle edition - May 12 2023

web jul 1 2022 the one you cannot have english edition ebook shenoy preeti amazon de kindle store

the one you cannot have english edition pdf uniport edu - Jan 28 2022

web sep 9 2023 hundreds dead after quake strikes morocco state tv reports from cnn s mohammed tawfeeq at least 296 people have been killed and more than 150 wounded

pdf epub the one you cannot have download oceanofpdf - Aug 15 2023

web jul 21 2020 download book the one you cannot have by author preeti shenoy in pdf epub original title isbn 9789383260683 published on 2013 11 18 in

download the one you cannot have english edition de - Mar 10 2023

web nov 21 2021 a straight from the heart modern day romance of unrequited love of complicated relationships and about moving on when you realise that there will always

editions of the one you cannot have by preeti shenoy - Jul 14 2023

web editions for the one you cannot have 9383260688 paperback published in 2013 kindle edition published in 2013 kindle edition published in 2017 9

the one you cannot have english edition by preeti shenoy - Oct 05 2022

web discover and share books you love on goodreads