

3.10.1 Additional device 1

Name POTENTIOMETER ADJUSTMENT

N1=1080r/min

Q1=27.5±1.0cm³/1,000st

V1=3.58±0.03V

P1=3kPa

P2=0mmHg

N2=375r/min

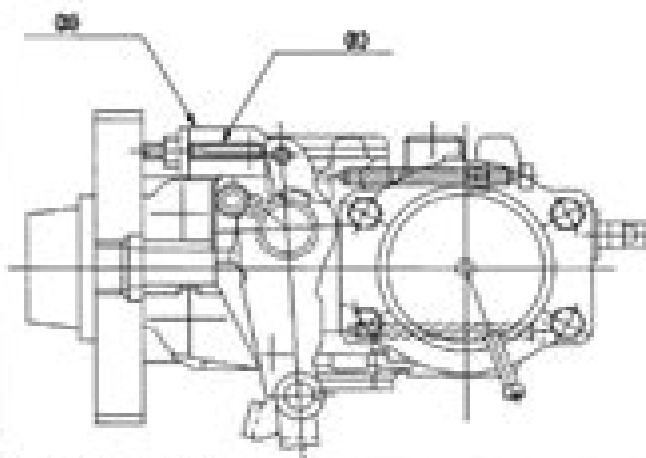
Q2=13.9±2.0cm³/1,000st(OLE)

Q3=Full speed

V2=0.80±0.45V

V3=7.43±0.83V

N	V	Q	P	B	C
N1	V1	Q1	P1	(D)	B
N2	V2	Q2			C
N3	V3	Q3			C



N1=1080r/min

Q1=27.5±1.0cm³/1,000st

V1=3.58±0.03V

V1=10V

Adjustment of the potentiometer

Adjustment method (supply voltage V1, dummy bolt (A))

1. Hold the dummy bolt (A) against the control lever at position N = N1, Q = Q1.

Fix using the lock nut.

2. When adjusting the potentiometer, position the control lever to contact the dummy bolt (A).

Adjust the potentiometer so that the output voltage V is V1.

3. Remove the dummy bolt (A) after the completion of adjustment.

Confirm that the potentiometer output voltage is as specified above at the control lever idle position and the full position.

N: Pump speed

V: Output voltage

Q: Injection quantity

P: Boost pressure

B: Adjusting point

C: Checking point

(D): dummy bolt shape differs.

(E): Part numbers of the dummy bolt and the nut

148526-3300 (bolt) 42)

013025-6040 (nut)

Isuzu 280 Dt Workshop Manual

Jiyuan Zhang



Isuzu 280 Dt Workshop Manual:

Unveiling the Magic of Words: A Review of "**Isuzu 280 Dt Workshop Manual**"

In a world defined by information and interconnectivity, the enchanting power of words has acquired unparalleled significance. Their ability to kindle emotions, provoke contemplation, and ignite transformative change is truly awe-inspiring. Enter the realm of "**Isuzu 280 Dt Workshop Manual**," a mesmerizing literary masterpiece penned by way of a distinguished author, guiding readers on a profound journey to unravel the secrets and potential hidden within every word. In this critique, we shall delve in to the book is central themes, examine its distinctive writing style, and assess its profound affect the souls of its readers.

<http://www.armchairempire.com/files/Resources/fetch.php/Jbl%20Eon%20Service%20Manual.pdf>

Table of Contents Isuzu 280 Dt Workshop Manual

1. Understanding the eBook Isuzu 280 Dt Workshop Manual
 - The Rise of Digital Reading Isuzu 280 Dt Workshop Manual
 - Advantages of eBooks Over Traditional Books
2. Identifying Isuzu 280 Dt Workshop Manual
 - Exploring Different Genres
 - Considering Fiction vs. Non-Fiction
 - Determining Your Reading Goals
3. Choosing the Right eBook Platform
 - Popular eBook Platforms
 - Features to Look for in an Isuzu 280 Dt Workshop Manual
 - User-Friendly Interface
4. Exploring eBook Recommendations from Isuzu 280 Dt Workshop Manual
 - Personalized Recommendations
 - Isuzu 280 Dt Workshop Manual User Reviews and Ratings
 - Isuzu 280 Dt Workshop Manual and Bestseller Lists

5. Accessing Isuzu 280 Dt Workshop Manual Free and Paid eBooks
 - Isuzu 280 Dt Workshop Manual Public Domain eBooks
 - Isuzu 280 Dt Workshop Manual eBook Subscription Services
 - Isuzu 280 Dt Workshop Manual Budget-Friendly Options
6. Navigating Isuzu 280 Dt Workshop Manual eBook Formats
 - ePub, PDF, MOBI, and More
 - Isuzu 280 Dt Workshop Manual Compatibility with Devices
 - Isuzu 280 Dt Workshop Manual Enhanced eBook Features
7. Enhancing Your Reading Experience
 - Adjustable Fonts and Text Sizes of Isuzu 280 Dt Workshop Manual
 - Highlighting and Note-Taking Isuzu 280 Dt Workshop Manual
 - Interactive Elements Isuzu 280 Dt Workshop Manual
8. Staying Engaged with Isuzu 280 Dt Workshop Manual
 - Joining Online Reading Communities
 - Participating in Virtual Book Clubs
 - Following Authors and Publishers Isuzu 280 Dt Workshop Manual
9. Balancing eBooks and Physical Books Isuzu 280 Dt Workshop Manual
 - Benefits of a Digital Library
 - Creating a Diverse Reading Collection Isuzu 280 Dt Workshop Manual
10. Overcoming Reading Challenges
 - Dealing with Digital Eye Strain
 - Minimizing Distractions
 - Managing Screen Time
11. Cultivating a Reading Routine Isuzu 280 Dt Workshop Manual
 - Setting Reading Goals Isuzu 280 Dt Workshop Manual
 - Carving Out Dedicated Reading Time
12. Sourcing Reliable Information of Isuzu 280 Dt Workshop Manual
 - Fact-Checking eBook Content of Isuzu 280 Dt Workshop Manual
 - Distinguishing Credible Sources
13. Promoting Lifelong Learning

- Utilizing eBooks for Skill Development
 - Exploring Educational eBooks
14. Embracing eBook Trends
- Integration of Multimedia Elements
 - Interactive and Gamified eBooks

Isuzu 280 Dt Workshop Manual Introduction

Free PDF Books and Manuals for Download: Unlocking Knowledge at Your Fingertips In today's fast-paced digital age, obtaining valuable knowledge has become easier than ever. Thanks to the internet, a vast array of books and manuals are now available for free download in PDF format. Whether you are a student, professional, or simply an avid reader, this treasure trove of downloadable resources offers a wealth of information, conveniently accessible anytime, anywhere. The advent of online libraries and platforms dedicated to sharing knowledge has revolutionized the way we consume information. No longer confined to physical libraries or bookstores, readers can now access an extensive collection of digital books and manuals with just a few clicks. These resources, available in PDF, Microsoft Word, and PowerPoint formats, cater to a wide range of interests, including literature, technology, science, history, and much more. One notable platform where you can explore and download free Isuzu 280 Dt Workshop Manual PDF books and manuals is the internet's largest free library. Hosted online, this catalog compiles a vast assortment of documents, making it a veritable goldmine of knowledge. With its easy-to-use website interface and customizable PDF generator, this platform offers a user-friendly experience, allowing individuals to effortlessly navigate and access the information they seek. The availability of free PDF books and manuals on this platform demonstrates its commitment to democratizing education and empowering individuals with the tools needed to succeed in their chosen fields. It allows anyone, regardless of their background or financial limitations, to expand their horizons and gain insights from experts in various disciplines. One of the most significant advantages of downloading PDF books and manuals lies in their portability. Unlike physical copies, digital books can be stored and carried on a single device, such as a tablet or smartphone, saving valuable space and weight. This convenience makes it possible for readers to have their entire library at their fingertips, whether they are commuting, traveling, or simply enjoying a lazy afternoon at home. Additionally, digital files are easily searchable, enabling readers to locate specific information within seconds. With a few keystrokes, users can search for keywords, topics, or phrases, making research and finding relevant information a breeze. This efficiency saves time and effort, streamlining the learning process and allowing individuals to focus on extracting the information they need. Furthermore, the availability of free PDF books and manuals fosters a culture of continuous learning. By removing financial barriers, more people can access educational resources and pursue lifelong learning, contributing to

personal growth and professional development. This democratization of knowledge promotes intellectual curiosity and empowers individuals to become lifelong learners, promoting progress and innovation in various fields. It is worth noting that while accessing free Isuzu 280 Dt Workshop Manual PDF books and manuals is convenient and cost-effective, it is vital to respect copyright laws and intellectual property rights. Platforms offering free downloads often operate within legal boundaries, ensuring that the materials they provide are either in the public domain or authorized for distribution. By adhering to copyright laws, users can enjoy the benefits of free access to knowledge while supporting the authors and publishers who make these resources available. In conclusion, the availability of Isuzu 280 Dt Workshop Manual free PDF books and manuals for download has revolutionized the way we access and consume knowledge. With just a few clicks, individuals can explore a vast collection of resources across different disciplines, all free of charge. This accessibility empowers individuals to become lifelong learners, contributing to personal growth, professional development, and the advancement of society as a whole. So why not unlock a world of knowledge today? Start exploring the vast sea of free PDF books and manuals waiting to be discovered right at your fingertips.

FAQs About Isuzu 280 Dt Workshop Manual Books

What is a Isuzu 280 Dt Workshop Manual PDF? A PDF (Portable Document Format) is a file format developed by Adobe that preserves the layout and formatting of a document, regardless of the software, hardware, or operating system used to view or print it. **How do I create a Isuzu 280 Dt Workshop Manual PDF?** There are several ways to create a PDF: Use software like Adobe Acrobat, Microsoft Word, or Google Docs, which often have built-in PDF creation tools. Print to PDF: Many applications and operating systems have a "Print to PDF" option that allows you to save a document as a PDF file instead of printing it on paper. Online converters: There are various online tools that can convert different file types to PDF. **How do I edit a Isuzu 280 Dt Workshop Manual PDF?** Editing a PDF can be done with software like Adobe Acrobat, which allows direct editing of text, images, and other elements within the PDF. Some free tools, like PDFescape or Smallpdf, also offer basic editing capabilities. **How do I convert a Isuzu 280 Dt Workshop Manual PDF to another file format?** There are multiple ways to convert a PDF to another format: Use online converters like Smallpdf, Zamzar, or Adobe Acrobats export feature to convert PDFs to formats like Word, Excel, JPEG, etc. Software like Adobe Acrobat, Microsoft Word, or other PDF editors may have options to export or save PDFs in different formats. **How do I password-protect a Isuzu 280 Dt Workshop Manual PDF?** Most PDF editing software allows you to add password protection. In Adobe Acrobat, for instance, you can go to "File" -> "Properties" -> "Security" to set a password to restrict access or editing capabilities. Are there any free alternatives to Adobe Acrobat for working with PDFs? Yes, there are many free alternatives for working with PDFs, such

as: LibreOffice: Offers PDF editing features. PDFsam: Allows splitting, merging, and editing PDFs. Foxit Reader: Provides basic PDF viewing and editing capabilities. How do I compress a PDF file? You can use online tools like Smallpdf, ILovePDF, or desktop software like Adobe Acrobat to compress PDF files without significant quality loss. Compression reduces the file size, making it easier to share and download. Can I fill out forms in a PDF file? Yes, most PDF viewers/editors like Adobe Acrobat, Preview (on Mac), or various online tools allow you to fill out forms in PDF files by selecting text fields and entering information. Are there any restrictions when working with PDFs? Some PDFs might have restrictions set by their creator, such as password protection, editing restrictions, or print restrictions. Breaking these restrictions might require specific software or tools, which may or may not be legal depending on the circumstances and local laws.

Find Isuzu 280 Dt Workshop Manual :

jbl eon service manual

~~jayco fold down trailer owners manual 2001 eagle~~

jay heizer operations management manual

jcb js160 js180 js190 auto tier3 tracked excavator service repair manual instant

~~jeep cherokee kj 2002-2007 workshop repair service manual~~

~~jeep grand cherokee wj 2000 workshop service repair manual~~

je mets gym pour nuls

~~jeep grand cherokee zj 1997 parts list manual catalog illust~~

~~jazz chanson schlager tischkalender monatskalender~~

jcb 520 55 526 526s 526 55 telescopic handler service repair manual

jcb forklift manuals

jd 1025r repair manual

jay buckey fiddle lessons

jazz theory ihiroaki honshuku

~~jcb service 8020 mini excavator manual shop servirepair book~~

Isuzu 280 Dt Workshop Manual :

common questions about teenage puberty verywell family - Jan 29 2022

web may 29 2021 underarm hair and body hair will grow and facial hair is another big change for boys as puberty hormones

kick in they will grow in height shoulders will broaden and they ll have more muscle their voice will also begin to deepen often with cracking at first they ll be perspiring more and need deodorant or antiperspirant

multiple choice questions oxford university press - Dec 28 2021

web multiple choice questions barker s work with the niue connect cultural values and practices to which of the following a childhood b adolescence c infancy d late adulthood in the niuean worldview people become frail because a the natural process of aging b they acted selfishly c they paid the proper respect to their ancestors

mcq on puberty kgmu - Sep 05 2022

web this is the key regulator of puberty a lh b kisspeptin gnrh d lh fsh production is inhibited by a estrogn b gnrh inhibin d lh the order of pubertal development in girls is a adrenarche pubarche menarche b thelarche menarche pubarche pubarche thelarche menarche d thelarche pubarche menarche precious puberty is girls is

puberty in males and females quiz proprofs quiz - Aug 16 2023

web mar 22 2023 correct answer b 10 14 explanation puberty in males usually begins between the ages of 10 to 14 during this period the body undergoes various physical and hormonal changes such as the growth of facial and body hair deepening of the voice and the development of sexual characteristics

puberty quiz worksheet for kids study com - Jun 14 2023

web about this quiz worksheet as you get older your body goes through changes known as puberty see what you know about this part of a human s life by using the worksheet and quiz

mcqs on pubertal changes - Jul 15 2023

web a puberty sets in at exactly at the same age in every child b onset of puberty is governed by genetic influence c pubertal children are more worried about their bodies than younger children d puberty and adolescence mean the same 2 changes during teen age include a hormonal changes

multiple choice questions online resources sage - May 01 2022

web 8 precocious puberty is defined as a puberty starting before 11 in girls and before 12 in boys b puberty starting before 13 in girls and before 14 in boys c puberty starting before 8 in girls and 9 in boys d puberty starting before 10 in girls and 11 in boys

puberty quiz questions and answers proprofs quiz - Nov 07 2022

web mar 20 2022 try this amazing puberty quiz questions and answers quiz which has been attempted 346 times by avid quiz takers also explore over 14 similar quizzes in this category a quiz from paridhi s puberty website

adolescence multiple choice quiz mcgraw hill education - May 13 2023

web multiple choice quiz the development of primary sex characteristics is evidenced by a rapid change in height and weight

growth and development of the breasts growth and development of the ovaries changes in the distribution of fat

puberty changes boys girls or both proprofs quiz - Jun 02 2022

web mar 21 2023 both correct answer a boys explanation boys experience a natural growth spurt during puberty which includes an increase in muscle mass and bone density this growth spurt often results in broader shoulders as the body undergoes changes to accommodate increased muscle growth and hormonal changes

mcqs on adolescence for neet byju s - Dec 08 2022

web mcqs on adolescence adolescence is the transition stage of various biological and behavioural changes leading to reproductive maturity adolescence is generally a period between the age of 11 to 19 years it marks the onset of puberty in both males and females

puberty sciencequiz net - Mar 11 2023

web puberty puberty multiple choice quiz multiple choice quiz of 20 questions try it as often as you like you will get a different set of questions each time you attempt this quiz 1 20 which physical change do girls experience during puberty that boys do not experience sexual organs grow hair grows on face hips get wider

puberty mcq pdf scribd - Feb 10 2023

web puberty mcq free download as powerpoint presentation ppt pdf file pdf text file txt or view presentation slides online mcq on adolescence

multiple choice questions online resources sage - Aug 04 2022

web multiple choice questions 1 the female gonads are 2 males have chromosomes 3 the principal hormone in females is 4 twins that share 100 of their genes are termed

12 puberty quizzes questions answers trivia proprofs - Jan 09 2023

web mar 22 2023 puberty quizzes questions answers puberty is a stage of life that all of us go through as we transition from childhood to adulthood play these informative quizzes to know more puberty in males and females is a time of physical and emotional changes marked by the development of secondary sexual characteristics like facial hair body hair

puberty quizizz - Oct 06 2022

web puberty quiz for 7th grade students find other quizzes for physical ed and more on quizizz for free

mcqs on puberty studylib net - Feb 27 2022

web mcqs on puberty curriculum vitae dr sharifa ali al sibiani consultant assistant professor king abdul aziz university hospital department of obs gynae po box 80215 jeddah 21589 saudi arabia home address p o box 22413 jeddah 21332 telephone 640 8310 work kauh fax no 6408316 work kauh 1 personal

puberty 5th grade 359 plays quizizz - Jul 03 2022

web puberty 5th grade quiz for 5th grade students find other quizzes for physical ed and more on quizzz for free

quiz worksheet stages of puberty study com - Apr 12 2023

web this puberty based quiz tests your ability to define puberty determine what statements about puberty are true or untrue recall stages of puberty when given their definition recognize

adolescence and puberty multiple choice questions mcq s - Mar 31 2022

web multiple choice questions mcq for adolescence and puberty cbse class 8 science on topperlearning these mcq s are extremely critical for all cbse students to score better marks ask a doubt

the times mapping the railways by julian holland used - Dec 07 2022

web buy the times mapping the railways the journey of britain s railways through maps from 1819 to the present day by julian holland available in used condition with free delivery in the uk isbn 9780007435999

the times mapping the railways the journey of britain s railways - Aug 15 2023

web 4 4 108 ratings see all formats and editions hardcover 30 00 28 used from 0 89 1 new from 30 00 1 collectible from 13 99 follow the development decline and revival of britain s railways through a unique collection of old

the times mapping the railways the journey of britain s railways - Aug 03 2022

web the times mapping the railways the journey of britain s railways through maps from 1819 to the present day julian holland share new assets and best practices with the community 5 1 week 5 introduction

map of trains in turkey turkey travel planner - Jul 02 2022

web aug 29 2023 here s a train map of the turkish state railways tcdd ddy route system notice there is no train service to the western or central mediterranean coasts and very little service to the black sea coast this is because of the formation of mountains in these regions making it difficult to reach by train however you can go by bus plane or

istanbul rail map city train route map your offline travel guide - Jun 01 2022

web the city rail map app provides a map guide for the city of istanbul the istanbul rail map includes the public transportation system as well as many major landmarks and points of interest in addition to the maps the city rail map app for mobile devices provides a route planner the ability to search for all transport lines and station locations and connections

the times mapping the railways books rmweb - Oct 05 2022

web dec 2 2011 the times mapping the railways the journey of britain s railways through maps from 1819 to the present day hardcover holland spaven apparently includes amongst many other things plans for light railways on all the scottish islands and a victorian plan for a railway between stranraer

the times mapping the railways the journey of britain s railways - Feb 09 2023

web find many great new used options and get the best deals for the times mapping the railways the journey of britain s

railways through maps from 1819 to the present day by david spaven julian holland hardcover 2011 at the best online prices at ebay free delivery for many products

[the times mapping the railways david spaven julian holland](#) - Jun 13 2023

web railways appear in almost every type of map available throughout the nineteenth and twentieth centuries detailed parliamentary plans were drawn up for hundreds of proposed railway schemes

[the times mapping the railways the journey of britain s railways](#) - May 12 2023

web the times mapping the railways the journey of britain s railways through maps by david spaven julian holland isbn 10 0007435991 isbn 13 9780007435999 times books 2011 hardcover

mapping the railways the journey of britain s railways through maps - Apr 11 2023

web sep 29 2011 mapping the railways the journey of britain s railways through maps from 1819 to the present day julian holland david spaven 3 97 30 ratings3 reviews follow the development decline and revival of britain s railways through a unique collection of old and new maps commentaries and photographs

İstanbul raylı sistemler ağ haritası istanbul railway network map - Apr 30 2022

web visiting hours exhibitors date hour 14 15 16 17 june 2022 08 30 18 30 18 june 2022 08 30 18 00 how to reach us 14 18 june 2022 itmexhibition com sağmalcılar merter davutpa a ytÜ aksaray emniyet fatih atatürk havalimanı airport 4 levent gayrettepe sirkeci beyoğlu mahmutbey İkitelli sanayi haciosman atatürk oto sanayi

[the times mapping the railways synopsis ratings video](#) - Nov 06 2022

web the story is traced from early x2018 waggonways x2019 through the steam era to today x2019 s diesel and electric railways br railways appear in almost every type of topographical map available throughout the nineteenth and twentieth centuries br detailed parliamentary plans were drawn up for many hundreds of proposed railway schemes

the times mapping the railways by julian holland - Jan 08 2023

web nov 1 2011 the times mapping the railways by julian holland 9780007435999 available at book depository with free delivery worldwide

[inside kim jong un s luxurious and slow armored train](#) - Jan 28 2022

web sep 11 2023 for his first known trip outside north korea in almost four years kim jong un has probably returned to a favored mode of transport a luxuriously decorated heavily armored and exceptionally slow

mapping the railways the journey of britain s railways through maps - Sep 04 2022

web may 9 2013 over 100 railway maps historical and modern rail network maps extracts from ordnance survey sheets plans for proposed railway schemes track diagrams and official reports pictorial maps posters and ephemera cartography by bartholomew airey bradshaw and many others

what we know about kim jong un s bulletproof train the new york times - Feb 26 2022

web sep 11 2023 a train believed to be mr kim s at the central railway station in beijing in 2018 he met with china s leader xi jinping jason lee reuters each of the carriages is bulletproof making them

mapping the railways google books - Mar 10 2023

web may 9 2013 the story is traced from early waggonways through the steam era to today s diesel and electric railways mapping the railways will appeal to railway enthusiasts historians and general interest readers alike over 100 railway maps historical and modern rail network maps extracts from ordnance survey sheets plans for proposed

map of istanbul tram stations lines - Dec 27 2021

web istanbul tram map you can find on this page the map of istanbul tram istanbul tram is a transit system serving the city of istanbul turkey with the subway the urban suburban commuter train the bus and the ferry the tram network has 4 lines and 46 stations forming a rail network of 14 7 miles 23 7 km

us india saudi eu unveil rail ports deal on g20 sidelines - Mar 30 2022

web sep 9 2023 new delhi sept 9 reuters global leaders announced a multinational rail and ports deal linking the middle east and south asia on saturday on the sidelines of the g20 summit in new delhi the

the times mapping the railways the journey of britain s railways - Jul 14 2023

web the times mapping the railways the journey of britain s railways through maps from 1830 by holland julian 1946
pharmako gnosis plant teachers and the poison path - Nov 28 2021

farmakognozi dersi hakkında eczacilar net - Mar 01 2022

web pharmacognosy definition materia medica def 2 see more

pharmako gnosis revised and updated google books - Jun 16 2023

web pharmako gnosis plant teachers and the poison path this is the third and final volume of north atlantic books updated paperback edition of dale pendell s pharmako trilogy

pharmako gnosis revised and updated plant teachers and the - Nov 09 2022

web pharmako gnosis plant teachers and the poison path focuses on plant based and derivative psychedelic teachers including ayahuasca peyote lsd and dmt and on

pharmako gnosis plant teachers and the poison path google - Mar 13 2023

web pharmako gnosis plant teachers and the poison path focuses on plant based and derivative psychedelic teachers including ayahuasca peyote lsd and dmt and on

farmakognozi cilt 1 ankara Üniversitesi - Jul 05 2022

web pharmako gnosis plant teachers and the poison path includes a new introduction by the author and as in previous editions focuses on plant based and derivative psychedelic

pharmako gnosis revised and updated penguin random house - Jul 17 2023

web sep 28 2010 delving deep into the world of psychoactive plants including ayahuasca pharmako gnosis serves as a comprehensive and standalone guide celebrated by

pharmako penguin random house - Oct 08 2022

web may 10 2023 pharmako gnosis plant teachers and the poison path by pendell dale 1947 publication date 2005 topics poisonous plants hallucinogenic plants

pharmako gnosis plant teachers and the poison path dale - Dec 10 2022

web pharmako gnosis plant teachers and the poison path includes a new introduction by the author and as in previous editions focuses on plant based and derivative psychedelic

pharmacognosis definition of pharmacognosis by the free - Dec 30 2021

web pharmako gnosis plant teachers and the poison path focuses on plant based and derivative psychedelic teachers including ayahuasca peyote lsd and dmt and on

pharmacognosy definition meaning dictionary com - Jan 31 2022

web the branch of pharmacology that studies the composition use and history of drugs pharmacognosist n pharmacognostic adj

pharmako gnosis revised and updated north atlantic books - Jun 04 2022

web pharmako gnosis bitki Öğretmenler ve zehir yolu pharmako pharmako pharmako dynamis amazon com tr kitap

pharmako gnosis plant teachers and the poison path - Feb 12 2023

web pharmako gnosis plant teachers and the poison path includes a new introduction by the author and as in previous editions focuses on plant based and derivative psychedelic

pharmako gnosis plant teachers and the poison path - Sep 19 2023

web jul 1 1999 pharmako gnosis plant teachers and the poison path by dale pendell mercury house 1999 615 321

pharmacognosis is the branch of pharmacology that

pharmako gnosis by dale pendell 9781556438899 penguin - Oct 28 2021

pharmako gnosis plant teachers and the poison path google - Apr 14 2023

web this is the third and final volume of north atlantic books hard cover edition of dale pendell s pharmako trilogy an encyclopedic study of the history and uses of psychoactive plants

pharmako gnosis revised and updated plant teachers and the - Aug 06 2022

web bu site altında yer alan tüm kaynaklar creative commons alıntı gayriticari türetilemez 4 0 uluslararası lisansı ile lisanslanmıştır bu lisans koşulları altında ankara Üniversitesi

pharmako gnosis plant teachers and the poison path - Sep 07 2022

web paperback currently unavailable we don t know when or if this item will be back in stock select delivery location have one to sell sell on amazon roll over image to zoom in

pharmako gnosis revised and updated plant teachers and the - Jan 11 2023

web this final volume covers the visionary plants the contemporary uses of plant poisons historic cultural lore and shamanic rites if homer had been a drug connoisseur his

pharmako gnosis by dale pendell goodreads - Aug 18 2023

web powell s delving deep into the world of psychoactive plants including ayahuasca pharmako gnosis serves as a comprehensive and standalone guide celebrated by

pharmako gnosis bitki Öğretmenler ve zehir yolu pharmako - May 03 2022

web pharmacognosis pharmacognosis terimi tıp dilinde kullanılan latince bir kelimedir pharmacognosis nedir size kısaca bunun hakkında bilgi verelim pharmacognosis

pharmako gnosis plant teachers and the poison path - May 15 2023

web pharmako gnosis weaves together writing on ancient shamanic rites historical cultural lore and the contemporary use of plant poisons in chapters phantastica hypnotica and

pharmacognosis nedir türkçe ne demek tıp terimleri sözlüğü - Apr 02 2022

web jan 14 2015 farmakognozi dersi farmakognozi biyolojik kaynaklı ilaçların elde edilmesi üretilmesi farmakolojisi ve tedavide kullanımlarını inceleyen bilim dalıdır farmakognozi