

APPEARANCE

1. MODELS 3LA1 AND 3LB1

(1) Left side view

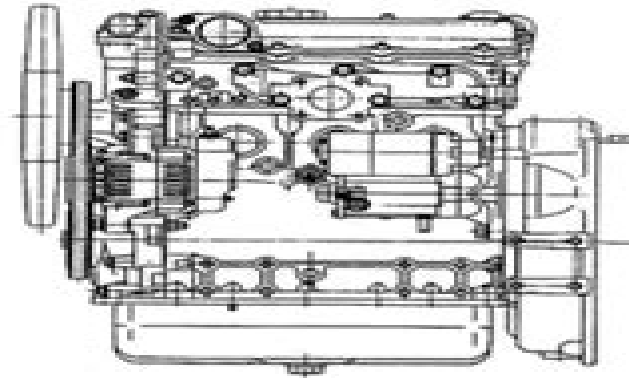


Fig. 2

(2) Right side view

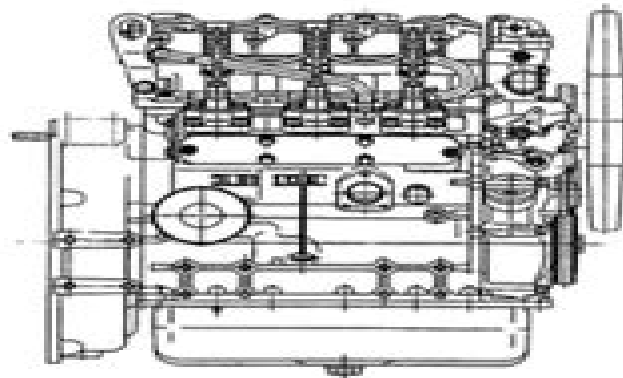


Fig. 3

Isuzu 3lb1 Engine Parts Manual

Jiyuan Zhang



Isuzu 3lb1 Engine Parts Manual:

Logistics Management & Distribution Report ,1998 *4BD1 Isuzu Diesel Engine Genuine Parts Catalog* ,19??

Workshop Manual for the Isuzu Diesel Engine Isuzu Jidōsha Kabushiki Kaisha,Isuzu Motors,1971 Workshop Manual for the Isuzu Diesel Engine Isuzu Motors,1971 For 6 cylinder trucks produced in 1973 *Isuzu Workshop Manual G161Z Model Gasoline Engine* Isuzu Jidōsha Kabushiki Kaisha,Isuzu Motors,1975 **Isuzu Workshop Manual** Isuzu Motors Limited,1984 **Isuzu Workshop Manual Diesel Engine 4FB1, 4FC1 Models** Isuzu Motors Limited,1982

Parts Manual Caterpillar Inc. Peoria, Ill.,1995 **Isuzu Workshop Manual** ,1986* **Isuzu Diesel Truck, SB, SC, JC Series** ,1983 Engine Electricals - All Models Workshop Manual Isuzu Motors Limited,1980 *Isuzu Workshop Manual* ,1982 Part no C223 WE 141 This manual applies to the 1982 year and later models *Isuzu Workshop Manual* ,1981

Isuzu Workshop Manual Isuzu Jidōsha Kabushiki Kaisha,1981 **Isuzu Workshop Manual G161Z Gasoline Engine (workshop Manual)**. Isuzu Motors Limited,1975* *Isuzu Workshop Manual* Isuzu Jidōsha Kabushiki Kaisha,1981

Workshop Manual for Isuzu C221 Diesel Engine Isuzu Motors Limited,1972* ISUZU Workshop Manual Isuzu Jidōsha Kabushiki Kaisha,1981 **Isuzu Diesel Truck** ,1986 **Isuzu Workshop Manual** Isuzu Jidōsha Kabushiki Kaisha. Service Department. Overseas Sales Division,1982

Yeah, reviewing a ebook **Isuzu 3lb1 Engine Parts Manual** could go to your close connections listings. This is just one of the solutions for you to be successful. As understood, completion does not recommend that you have extraordinary points.

Comprehending as without difficulty as contract even more than extra will manage to pay for each success. next to, the publication as skillfully as keenness of this Isuzu 3lb1 Engine Parts Manual can be taken as without difficulty as picked to act.

<http://www.armchairempire.com/About/Resources/default.aspx/Ken%20Ichi%20T8%20Shun%20Matsuena%20Ebook.pdf>

Table of Contents Isuzu 3lb1 Engine Parts Manual

1. Understanding the eBook Isuzu 3lb1 Engine Parts Manual
 - The Rise of Digital Reading Isuzu 3lb1 Engine Parts Manual
 - Advantages of eBooks Over Traditional Books
2. Identifying Isuzu 3lb1 Engine Parts Manual
 - Exploring Different Genres
 - Considering Fiction vs. Non-Fiction
 - Determining Your Reading Goals
3. Choosing the Right eBook Platform
 - Popular eBook Platforms
 - Features to Look for in an Isuzu 3lb1 Engine Parts Manual
 - User-Friendly Interface
4. Exploring eBook Recommendations from Isuzu 3lb1 Engine Parts Manual
 - Personalized Recommendations
 - Isuzu 3lb1 Engine Parts Manual User Reviews and Ratings
 - Isuzu 3lb1 Engine Parts Manual and Bestseller Lists
5. Accessing Isuzu 3lb1 Engine Parts Manual Free and Paid eBooks
 - Isuzu 3lb1 Engine Parts Manual Public Domain eBooks
 - Isuzu 3lb1 Engine Parts Manual eBook Subscription Services

- Isuzu 3lb1 Engine Parts Manual Budget-Friendly Options
- 6. Navigating Isuzu 3lb1 Engine Parts Manual eBook Formats
 - ePub, PDF, MOBI, and More
 - Isuzu 3lb1 Engine Parts Manual Compatibility with Devices
 - Isuzu 3lb1 Engine Parts Manual Enhanced eBook Features
- 7. Enhancing Your Reading Experience
 - Adjustable Fonts and Text Sizes of Isuzu 3lb1 Engine Parts Manual
 - Highlighting and Note-Taking Isuzu 3lb1 Engine Parts Manual
 - Interactive Elements Isuzu 3lb1 Engine Parts Manual
- 8. Staying Engaged with Isuzu 3lb1 Engine Parts Manual
 - Joining Online Reading Communities
 - Participating in Virtual Book Clubs
 - Following Authors and Publishers Isuzu 3lb1 Engine Parts Manual
- 9. Balancing eBooks and Physical Books Isuzu 3lb1 Engine Parts Manual
 - Benefits of a Digital Library
 - Creating a Diverse Reading Collection Isuzu 3lb1 Engine Parts Manual
- 10. Overcoming Reading Challenges
 - Dealing with Digital Eye Strain
 - Minimizing Distractions
 - Managing Screen Time
- 11. Cultivating a Reading Routine Isuzu 3lb1 Engine Parts Manual
 - Setting Reading Goals Isuzu 3lb1 Engine Parts Manual
 - Carving Out Dedicated Reading Time
- 12. Sourcing Reliable Information of Isuzu 3lb1 Engine Parts Manual
 - Fact-Checking eBook Content of Isuzu 3lb1 Engine Parts Manual
 - Distinguishing Credible Sources
- 13. Promoting Lifelong Learning
 - Utilizing eBooks for Skill Development
 - Exploring Educational eBooks
- 14. Embracing eBook Trends

- Integration of Multimedia Elements
- Interactive and Gamified eBooks

Isuzu 3lb1 Engine Parts Manual Introduction

In the digital age, access to information has become easier than ever before. The ability to download Isuzu 3lb1 Engine Parts Manual has revolutionized the way we consume written content. Whether you are a student looking for course material, an avid reader searching for your next favorite book, or a professional seeking research papers, the option to download Isuzu 3lb1 Engine Parts Manual has opened up a world of possibilities. Downloading Isuzu 3lb1 Engine Parts Manual provides numerous advantages over physical copies of books and documents. Firstly, it is incredibly convenient. Gone are the days of carrying around heavy textbooks or bulky folders filled with papers. With the click of a button, you can gain immediate access to valuable resources on any device. This convenience allows for efficient studying, researching, and reading on the go. Moreover, the cost-effective nature of downloading Isuzu 3lb1 Engine Parts Manual has democratized knowledge. Traditional books and academic journals can be expensive, making it difficult for individuals with limited financial resources to access information. By offering free PDF downloads, publishers and authors are enabling a wider audience to benefit from their work. This inclusivity promotes equal opportunities for learning and personal growth. There are numerous websites and platforms where individuals can download Isuzu 3lb1 Engine Parts Manual. These websites range from academic databases offering research papers and journals to online libraries with an expansive collection of books from various genres. Many authors and publishers also upload their work to specific websites, granting readers access to their content without any charge. These platforms not only provide access to existing literature but also serve as an excellent platform for undiscovered authors to share their work with the world. However, it is essential to be cautious while downloading Isuzu 3lb1 Engine Parts Manual. Some websites may offer pirated or illegally obtained copies of copyrighted material. Engaging in such activities not only violates copyright laws but also undermines the efforts of authors, publishers, and researchers. To ensure ethical downloading, it is advisable to utilize reputable websites that prioritize the legal distribution of content. When downloading Isuzu 3lb1 Engine Parts Manual, users should also consider the potential security risks associated with online platforms. Malicious actors may exploit vulnerabilities in unprotected websites to distribute malware or steal personal information. To protect themselves, individuals should ensure their devices have reliable antivirus software installed and validate the legitimacy of the websites they are downloading from. In conclusion, the ability to download Isuzu 3lb1 Engine Parts Manual has transformed the way we access information. With the convenience, cost-effectiveness, and accessibility it offers, free PDF downloads have become a popular choice for students, researchers, and book lovers worldwide. However, it is crucial to engage in ethical downloading practices and prioritize personal security when utilizing online platforms. By

doing so, individuals can make the most of the vast array of free PDF resources available and embark on a journey of continuous learning and intellectual growth.

FAQs About Isuzu 3lb1 Engine Parts Manual Books

1. Where can I buy Isuzu 3lb1 Engine Parts Manual books? Bookstores: Physical bookstores like Barnes & Noble, Waterstones, and independent local stores. Online Retailers: Amazon, Book Depository, and various online bookstores offer a wide range of books in physical and digital formats.
2. What are the different book formats available? Hardcover: Sturdy and durable, usually more expensive. Paperback: Cheaper, lighter, and more portable than hardcovers. E-books: Digital books available for e-readers like Kindle or software like Apple Books, Kindle, and Google Play Books.
3. How do I choose a Isuzu 3lb1 Engine Parts Manual book to read? Genres: Consider the genre you enjoy (fiction, non-fiction, mystery, sci-fi, etc.). Recommendations: Ask friends, join book clubs, or explore online reviews and recommendations. Author: If you like a particular author, you might enjoy more of their work.
4. How do I take care of Isuzu 3lb1 Engine Parts Manual books? Storage: Keep them away from direct sunlight and in a dry environment. Handling: Avoid folding pages, use bookmarks, and handle them with clean hands. Cleaning: Gently dust the covers and pages occasionally.
5. Can I borrow books without buying them? Public Libraries: Local libraries offer a wide range of books for borrowing. Book Swaps: Community book exchanges or online platforms where people exchange books.
6. How can I track my reading progress or manage my book collection? Book Tracking Apps: Goodreads, LibraryThing, and Book Catalogue are popular apps for tracking your reading progress and managing book collections. Spreadsheets: You can create your own spreadsheet to track books read, ratings, and other details.
7. What are Isuzu 3lb1 Engine Parts Manual audiobooks, and where can I find them? Audiobooks: Audio recordings of books, perfect for listening while commuting or multitasking. Platforms: Audible, LibriVox, and Google Play Books offer a wide selection of audiobooks.
8. How do I support authors or the book industry? Buy Books: Purchase books from authors or independent bookstores. Reviews: Leave reviews on platforms like Goodreads or Amazon. Promotion: Share your favorite books on social media or recommend them to friends.
9. Are there book clubs or reading communities I can join? Local Clubs: Check for local book clubs in libraries or

community centers. Online Communities: Platforms like Goodreads have virtual book clubs and discussion groups.

10. Can I read Isuzu 3lb1 Engine Parts Manual books for free? Public Domain Books: Many classic books are available for free as they're in the public domain. Free E-books: Some websites offer free e-books legally, like Project Gutenberg or Open Library.

Find Isuzu 3lb1 Engine Parts Manual :

[ken ichi t8 shun matsuen a ebook](#)

kempo manual

kenmore clothes dryer guide

[kawasaki z250 1981 factory service repair manual](#)

kawasaki zx6r haynes manual

[kd r520 manual](#)

ken keseys one flew over the cuckoos nest barrons book notes

kawasaki zx 12r ninja 2000 2006 online service repair manual

kawasaki voyager radio manual

[kenmore 385 12714090 sewing machine manual](#)

~~kawasaki z900 workshop service manual~~

kazuma 150cc service manual

[kawasaki zr750 workshop manual](#)

kayla itsines bikini body workout guide

kawasaki zx6r service repair manual 2008

Isuzu 3lb1 Engine Parts Manual :

annexure a gr 11 accounting examination guidelines studocu - Feb 26 2022

web nov 11 2017 grade 11 paper 1 recording reporting and evaluation of financial information 11 1 concepts relating to partnerships 11 1 concepts relating to clubs 11 1 concepts relating to gaap 11 1 ledger accounts of partnerships amp interpretation thereof 11 1 ledger accounts of clubs amp interpretation thereof 11 1 accounting

accounting grade 11 high school canada studocu - Jun 01 2022

web why we need accounting accounting exam review 11 accountancy notes ch06 accounting for bills of exchange 01 baf3m

grade 11 accounting chapter 9

grade 11 accounting exam papers testpapers - Jul 14 2023

web past exam papers for grade 11 accounting 2022 2012 past march june september and november exam papers memos available in afrikaans and english download all question papers for free

accounting grade 11 exam papers and memos 2020 2019 and - Sep 04 2022

web download accounting grade 11 exam papers and memos 2020 accounting grade 11 past papers and memos for 2020

download accounting grade 11 exam papers and memos 2019 accounting grade 11 past papers and memos for 2019

download accounting grade 11 exam papers and memos 2018

accounting grade 11 exam papers and memos 2023 pdf download - May 12 2023

web may 15 2023 how to access accounting grade 11 exam papers and memos 2023 download grade 11 accounting papers and memorandum pdf download accounting grade 11 exam papers and memos 2021 list of accounting grade 11 past papers and memos for 2020 download accounting grade 11 exam papers and memos 2019

accounting grade 11 past papers and memos for 2021 - Mar 10 2023

web apr 16 2021 accounting grade 11 is done in english and afrikaans languages and consist of paper 1 and paper 2 exams topics in the accounting caps curriculum the following are the topics covered in accounting grade 11 which will guide you before exploring past papers and memos for 2021

eleventh grade grade 11 accounting questions helpteaching - Nov 06 2022

web eleventh grade grade 11 accounting questions for your custom printable tests and worksheets in a hurry browse our pre made printable worksheets library with a variety of activities and quizzes for all k 12 levels

accounting grade 11 exam papers and memos for revision - Jun 13 2023

web jul 8 2019 list of accounting grade 11 past papers and memos for 2020 download accounting grade 11 exam papers and memos 2019 download accounting grade 11 exam papers and memos 2018 browse accounting courses to study after matric in south africa why passing grade 11 is very important

gr11 accounting exam p1 2 nov 2022 teacha - Jan 28 2022

web nov 2 2022 file type docx memorandum rubric included last updated october 14 2022 6 add to cart use by you or one client in a single end product which end users are not charged for the total price includes the item price and a buyer fee grade 11 accounting final exam

grade 11 accounting exam baf3m1 flashcards quizlet - Feb 09 2023

web grade 11 accounting exam review 41 terms trishafx accounting unit 1 test study guide grade 11 24 terms maia419 baf3m1 grade 11 accounting unit 1 28 terms petchra recent flashcard sets makayla review notes test 1 29 terms makayla

grace30 polyatomic ions 23 terms bella p123

[grade 11 accounting apps on google play](#) - Jul 02 2022

web mar 13 2023 our grade 11 accounting exam papers app is divided into terms and includes past papers from 2020 all the way back to 2013 here are the topics covered in each term download our grade 11 accounting exam papers app today and start preparing for success in your accounting exams and the nsc exams

study master accounting cambridge university press - Dec 07 2022

web deal confidently with the demands of an accounting occupation manually and or electronically 5 time allocation for accounting on the timetable from caps document the teaching time for accounting is 4 hours per week per grade on the timetable that is for grades 10 11 and 12 6 requirements to offer accounting as a subject from caps

cbse class 11 accountancy syllabus 2023 24 byju s - Dec 27 2021

web get syllabus for cbse accountancy class 11 exam and kickstart your studies login study materials ncert solutions ncert solutions for class 12 cbse class 11 accountancy syllabus furnishes a broad degree of concepts and introduction to the subject students can directly access the cbse accountancy syllabus for class 11

accounting grade 11 exam past papers and revision notes 2023 - Apr 30 2022

web accounting grade 11 exam past papers and revision notes 2023 2022 2021 2020 home download free latest accounting grade 11 past papers memos and study guides pdf

[grade 11 accounting june test and memo 2023 p1 1 teacha](#) - Mar 30 2022

web may 22 2023 grade 11 accounting june test and memo 2023 p1 1 this product contains downloadable grade 11 accounting exam and memo for june use by you or one client in a single end product which end users are not charged for the total price includes the item price and a buyer fee

grade 11 accounting exam flashcards quizlet - Oct 05 2022

web study with quizlet and memorize flashcards containing terms like accounting accountant accounting clerk and more

study and master accounting study guide grade 11 caps - Aug 03 2022

web this study guide offers an overview of content required to master accounting and also explains key concepts guides you with introductory activities includes test yourself questions with marks to test your knowledge provides exemplar papers for both the june and november examinations

accounting exam papers and study notes for grade 11 - Aug 15 2023

web mar 18 2023 exam papers and study notes for accounting grade 11 download free question papers and memos study notes are available as well skip to content accounting grade 11 share study notes past year exam papers updated 2023 03 18 kzn scope 2023 corrected 2023 limpopo march qp and memo

examination guidelines accounting grade 11 paper - Jan 08 2023

web overview format of an accounting year end examination paper content for grade 11 accounting 3 3 5 4 relevant sections of caps for accounting which have a direct effect on the setting of examination papers 6 5 degrees of difficulty 6 6 appendix 1
accounting grade 11 controlled tests and exam question - Apr 11 2023

web accounting grade 11 november 2022 exam question papers and memos find all term 4 accounting grade 11 november 2022 exam question papers and memos paper 1 paper 2 these past papers will be useful for your accounting revision studies

invuloefening module 7 hoofdstuk 1 praktische economie havo - Sep 03 2022

web sep 12 2018 havo economie module 7 economische groei en andere samenvattingen voor economie economie en maatschappij dit document bevat een samenvatting van

uitwerkingen module 1 t m 3 praktische economie havo 4 - Oct 24 2021

samenvatting uitwerkingen praktische economie module - Sep 22 2021

praktische economie havo module markt en overheid - Apr 29 2022

web sep 24 2013 samenvatting voor het vak economie en de methode praktische economie dit verslag is op 24 september 2013 gepubliceerd op scholieren com en

samenvatting antwoorden praktische economie module 7 vwo - Feb 08 2023

web economie leren en oefenen doe je op economiepagina com uitleg oefentoetsen en alle examens oefenopgaven module 7 antwoorden terug naar module 7 terug naar

economiepagina com alle nuttige economielinks bij elkaar - Nov 05 2022

web 7 de verplichten afdrachten die burgers en bedrijven aan de overheid betalen noemen we 8 de kringloop van geldstromen is de kringloop 9 alle inkomens van alle bewoners van

praktische economie havo antwoorden module 7 pdf - Jan 27 2022

web praktische economie module 7 havo bovenbouw welvaart en economie groei praktische economie module 7 havo bovenbouw auteur p adriaansen taal nederlands schrijf

3havo hoofdstuk 7 antwoorden economie studeersnel - Oct 04 2022

web jan 22 2021 bekijk alle 17 samenvattingen van praktische economie module 7 vwo bovenbouw geschreven door de samenvattingen van praktische economie module

praktische economie module 7 havo bovenbouw bol com - Nov 24 2021

web nov 15 2020 1 samenvatting uitwerkingen praktische economie module schaarste geld en handel havo 2 samenvatting

uitwerkingen praktische economie module

praktische economie 2022 m7 havo antwoorden - Aug 14 2023

web praktische economie 2021 456vwo antwoorden module 7 school lingecollege vak economie 873documenten studenten deelden 873 documenten in dit vak info meer

module schaarste geld en handel antwoorden vwo - Dec 06 2022

web antwoorden van hoofdstuk 7 van economie en dit is van 3 havo op de middelbare school goniometrie voorkennis 16 30 de rechthoekszijden zijn de zijden lm en km meteen naar

economie module 7 antwoorden pdf scribd - Apr 10 2023

web samenvatting economie module 7 economische groei hoofdstuk 1 macro economische kengetallen paragraaf 1 het binnenlands product macro economie de economie als

de economie - Jun 12 2023

web economie leren en oefenen doe je op economiepagina com uitleg oefentoetsen en alle examens oefenopgaven module 7 antwoorden terug naar modules praktische

praktische economie 2021 456vwo antwoorden module 7 - Jul 13 2023

web economie voor de vernieuwde tweede fase start vwo antwoorden praktische economie vwo hieronder staan alle antwoorden van alle modules van praktische

economische groei module 7 samenvatting economie module - Mar 09 2023

web nov 22 2021 praktische economie module 7 vwo bovenbouw de antwoorden van het zevende boek economische groei van de serie praktische economie dat gegeven

samenvatting economie praktische economie module 7 5e klas - Feb 25 2022

web praktische economie havo antwoorden module 7 3 3 and finally covering common challenges and their effect on european countries comparative european politics takes

praktische economie havo antwoorden module 7 pdf - Mar 29 2022

web praktische economie havo antwoorden module 7 1 7 downloaded from uniport edu ng on august 5 2023 by guest praktische economie havo antwoorden module 7 this is

praktische economie havo antwoorden module 7 - Dec 26 2021

web complete uitwerkingen van module 1 t m 3 van praktische economie bovenbouw havo schaarste geld en handel vraag en aanbod markt en overheid

economiepagina com alle nuttige economielinks bij elkaar - Jan 07 2023

web economie leren en oefenen doe je op economiepagina com uitleg oefentoetsen en alle examens antwoorden terug naar

module 7 terug naar modules praktische

[praktische economie havo vwo bovenbouw malmberg](#) - May 31 2022

web praktische economie havo antwoorden module 7 1 12 downloaded from uniport edu ng on july 26 2023 by guest

praktische economie havo antwoorden module 7 as

[economiepagina com alle nuttige economielinks bij elkaar](#) - May 11 2023

web module 7 antwoorden experimenteel lesprogramma nieuwe economie verantwoording 2010 stichting

leerplanontwikkeling slo enschede het auteursrecht op de modules

[havo economie module 7 economische groei knoowy](#) - Jul 01 2022

web apr 2 2021 alle openbare online lessen van de economie academy die horen bij de module markt en overheid van

praktische economie voor de havo succes met leren

[praktische economie module 7 vwo bovenbouw](#) - Aug 02 2022

web economie praktische economie havo vwo bovenbouw praktische economie praktische economie laat leerlingen zien dat economie overall is met helder

[2006 peugeot 206 xr auto my06 redbook cars](#) - Feb 11 2023

web 2006 peugeot 206 xr auto my06 5 door hatch body type 4 speed sports automatic transmission 6 4 l 100km fuel

combined 4cyl 1 4l aspirated petrol engine front wheel drive drive type market valuation running costs a high level estimated market value range at an assumed condition estimated

peugeot 206 cars for sale in australia carsales com au - Dec 09 2022

web search for new used peugeot 206 cars for sale or order in australia read peugeot 206 car reviews and compare peugeot 206 prices and features at carsales com au

peugeot 206 1 4 xr xt xs rg specs ultimate specs - Sep 18 2023

web how much does a peugeot 206 1 4 xr xt xs rg weighs the peugeot 206 1 4 xr xt xs rg weighs 925 kg 2039 lbs what is the top speed of a peugeot 206 1 4 xr xt xs rg the peugeot 206 1 4 xr xt xs rg top speed is 170 km h 106 mph is peugeot 206 1 4

xr xt xs rg all wheel drive awd no the peugeot 206 1 4

[used peugeot 206 review 1999 2007 carsguide](#) - Mar 12 2023

web 1999 peugeot 206 1999 xr pricing and specs xt 1 6l pulp 4 sp auto 2 640 4 070 1999 peugeot 206 1999 xt pricing and specs gti 2 0l pulp 5 sp man 2 530 3 960 1999 peugeot 206 1999 gti pricing and specs

[used peugeot 206 review 1999 2007 carsguide](#) - Apr 01 2022

web feb 10 2015 7 what we like chassis dynamics were impressive and compliant suspension looks great gti gti180 value for money for the driving enthusiasts what we don t automatic transmission not particularly smooth more expensive than rivals

when new insurance for gti gti 180 attracts higher premiums ewan kennedy contributing
used jaguar xj6 cars singapore car prices listing sgcarmart - Aug 05 2022

web travel in old world style and comfort whilst being cosseted in swathes of hand laid connolly leather and burred walnut inlay the copious amount of rear leg room in this long wheelbase edition only heightens the luxury quotient laid up
specs for all peugeot 206 versions ultimate specs - Jun 15 2023

web 206 1 1 xr xt specs 1998 60 hp 44 kw 1124 cm3 68 6 cu in 206 1 1 xr xt specs 2002 60 hp 44 kw 1124 cm3 68 6 cu in
206 1 4 16v xt xs specs 2003 90 hp 66 kw 1360 cm3 83 cu in 206 1 4 auto xr xt rg specs 2002 75 hp 55 kw 1360 cm3 83 cu in
206 1 4 xr xt xs rg specs 1998 75 hp 55 kw 1360 cm3 83 cu in

2006 peugeot 206 xr 1 4l hatchback fwd specs prices drive - Aug 17 2023

web variant 1 4l hatchback fwd 2006 peugeot 206 xr 1 4l hatchback fwd 19 990 mrlp compare enquire now interested in this car provide your details and we ll connect you to a member of the drive team peugeot 206 i d like to hear about finance deals subscribe to

peugeot 206 1 4 auto xr xt rg specs ultimate specs - May 02 2022

web how much does a peugeot 206 1 4 auto xr xt rg weighs the peugeot 206 1 4 auto xr xt rg weighs 955 kg 2105 lbs what is the top speed of a peugeot 206 1 4 auto xr xt rg the peugeot 206 1 4 auto xr xt rg top speed is 160 km h 99 mph is peugeot 206 1 4 auto xr xt rg all wheel drive awd no the peugeot 206 1 4

peugeot 206 1 1 xr xt specs dimensions ultimate specs - May 14 2023

web the 2002 peugeot 206 1 1 xr xt has 60 ps 59 bhp 44 kw how much does a peugeot 206 1 1 xr xt weighs the peugeot 206 1 1 xr xt weighs 885 kg 1951 lbs what is the top speed of a peugeot 206 1 1 xr xt the peugeot 206 1 1 xr xt top speed is 158 km h 98 mph is peugeot 206 1 1 xr xt all wheel drive awd no

used bmw x6 cars singapore car prices listing sgcarmart - Jun 03 2022

web latest management bmw x6 xdrive 40i m sport the epitome of luxury and driving dynamics in flamenco red with luxurious vernessa black leather upholstery come with 360 degree technical and optical checks with agent warranty for your assurance finance insurance assistance and trade in offers

shop peugeot parts genuine aftermarket my auto parts - Sep 06 2022

web wide range of spare parts to choose from discover our wide selection of high quality and more competitively priced spare parts from leading industry manufacturers choose between aftermarket q part certified and genuine peugeot parts for models including 308 307 207 508 and more

peugeot singapore allure emotion excellence - Nov 08 2022

web learn about the latest peugeot cars and other vehicles and find great deals at the official peugeot singapore website

today

[used peugeot 206xr cars singapore car prices listing](#) - Jul 16 2023

web find all used peugeot 206xr cars for sale in singapore get latest pricing specifications photos on used peugeot 206xr models the only place for smart car buyers

[peugeot 206 xr 2006 price specs carsguide](#) - Apr 13 2023

web the latest pricing and specifications for the 2006 peugeot 206 xr starts from 2 040 to 3 190 compare prices of all peugeot 206 s sold on carsguide over the last 6 months use our free online car valuation tool to find out exactly how much your car is worth today

peugeot 206 wikipedia - Oct 19 2023

web following brands like fiat and volkswagen peugeot sells an off roader version of the peugeot 206 in selected south american markets called the peugeot 206 escapade it is essentially a peugeot 206 sw station wagon with a rugged suv like bodykit and higher and tougher suspension

new bmw x6 2023 price specs november promotions - Jul 04 2022

web bmw x6 2022 is a 5 seater suv available between a price range of 358 888 610 888 in the singapore it is available in 2 variants 2 engine and 1 transmissions option automatic in the singapore the x6 dimensions is 4935 mm l x 2212 mm w x 1696 mm h over 7 users have reviewed x6 on basis of features mileage seating comfort and engine

[peugeot 206 xr cars for sale in australia carsales com au](#) - Jan 10 2023

web 4 peugeot 206 xr cars for sale in australia save search sort by featured 18 compare 2006 peugeot 206 xr auto my06 5 999 drive away 169 390 km hatch automatic 4cyl 1 4l petrol history and pricing on this car facts buy from home dealer used car vic enquire view details 18 compare 2004 peugeot 206 xr manual my04 4 990 excl

[new peugeot cars singapore car prices listing sgcarmart](#) - Oct 07 2022

web find all new peugeot cars for sale in singapore get latest pricing specifications photos on new peugeot models the only place for smart car buyers